



# Submittal Data Sheet

## DTST-LTE-LA-A– Daikin One Lite Smart Thermostat for Mini-Split, and Multi-Split Units

Project Name:	Approval:
Location:	Date:
Engineer:	Construction:
Submitted to:	Unit #:
Submitted by:	Drawing #:
Reference:	

### MODEL COMPATIBILITY:

Compatible with Single-Zone and Multi-Zone indoor unit models: CDXS(discontinued), CTXS\*, FDXS(discontinued), FTK\*, FTXB\*, FTX, FTXR, FTXS, FVXS

\*Not compatible with FTK\_AXVJU, FTX\_AXVJU, FTKB\_AXVJU, FTXB\_AXVJU, CTX\_AXVJU

The following indoor units do not have the S21 connection and require an additional interface adaptor (ordered separately) to provide the S21 connect for the One Lite communication:

Indoor Unit Models	Required Interface Adaptor
FTX09NMVJU(A), FTX12NMVJU(A), FTX09WMVJU9, FTX12WMVJU9	KRP067A41E
FTX15NMVJU(A), FTX15WMVJU9	KRP980B2E

### SPECIFICATIONS:

<b>Model</b>		DTST-LTE-LA-A
<b>Description</b>		Daikin One Lite Smart Thermostat for Mini-Split and Multi-Split Units
<b>Maximum Connections</b>		1 for S21 indoor units (cannot use together with another wireless remote controller or wired remote controller)
<b>Max Wiring Length</b>	<b>Power Wire</b>	5.5 ft (included)
	<b>Thermostat Wire</b>	125 ft (Field-supplied, 18AWG, 4-core non-shielded stranded wire)
	<b>S21 Communication Wire</b>	6 ft (included)
<b>Power Supply</b>	<b>Thermostat</b>	Obtained from the translation adaptor
	<b>Translation Adaptor</b>	230 VAC
<b>Dimensions</b>	<b>Thermostat</b>	3.3"W x 3.3"H x 1.04"D
	<b>Translation Adaptor</b>	7.33"W x 2.0"H x 1.99"D
<b>Weight</b>	<b>Thermostat</b>	4 oz
	<b>Translation Adaptor</b>	9 oz
<b>Storage Temperature</b>		32°F to 120°F
<b>Ambient Operation Temperature</b>	<b>Thermostat</b>	32°F to 120°F
	<b>Translation Adaptor</b>	32°F to 120°F
<b>Humidity</b>		20 to 95% RH (non-condensing)
<b>Compliance</b>		Compliant to California Title 24 (OCST listed), FCC Certified (FCC Part 15 subpart B), UL Listed

### PRODUCT IMAGE:

Thermostat:



Translation Adaptor:



Daikin North America LLC, 5151 San Felipe, Suite 500, Houston TX, 77056

[www.daikinac.com](http://www.daikinac.com)   [www.daikincity.com](http://www.daikincity.com)

(Daikin's products are subject to continuous improvements. Daikin reserves the right to modify product design, specifications and information in this data sheet without notice and without incurring any obligations)

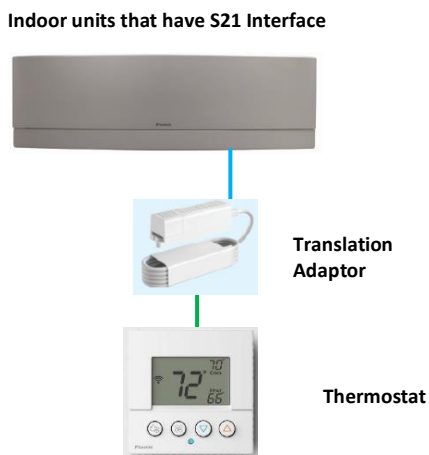
Project Name:	Approval:
Location:	Date:
Engineer:	Construction:
Submitted to:	Unit #:
Submitted by:	Drawing #:
Reference:	

**FEATURES:**

- Compact, non-intrusive design suitable for most interior environments
- Multifunction push buttons labeled for mode, fan, setpoint up, set point down
- Wifi-enabled smart thermostat with iOS and Android app control
- Voice control by Amazon Alexa and Google Assistant
- Installer wizard app available (recommended). Set up using buttons is possible, but not recommended
- Multi-language support: English, Spanish, French (Daikin One Home app only)
- Built-in temperature and humidity sensors
- 1 Auxiliary Heat output (dry contact), configurable as primary or secondary heat source
- Over-the-air software update capable (requires wi-fi connection)
- Indoor unit Control: Mode (Auto/Heat/Cool/Aux Heat/Emergency Heat), Setpoint (Dual/Single), Fan Speed, Louver, Fan On/Auto (with minimum run time)
- LED Mode indicator for heating and cooling
- Dehumidification function
- Error and maintenance notification
- Programmable schedule with adjustable hold function
- Energy and comfort functions: Vacation/Away/Night mode, and geo-fencing
- Outdoor environment monitoring: outdoor temperature, outdoor humidity, and weather forecast (on homeowner app only)
- Compatible Daikin One Cloud Services

**SYSTEM DIAGRAM:**

For S21 indoor units (CDXS(discontinued), CTXS\*, FDXS (discontinued), FTK\*, FTXB\*, FTX, FTXG, FTXR, FTXS, FVXS) (\*see exceptions on page 1):



**Daikin North America LLC, 5151 San Felipe, Suite 500, Houston TX, 77056**  
[www.daikinac.com](http://www.daikinac.com)    [www.daikincity.com](http://www.daikincity.com)

(Daikin's products are subject to continuous improvements. Daikin reserves the right to modify product design, specifications and information in this data sheet without notice and without incurring any obligations)



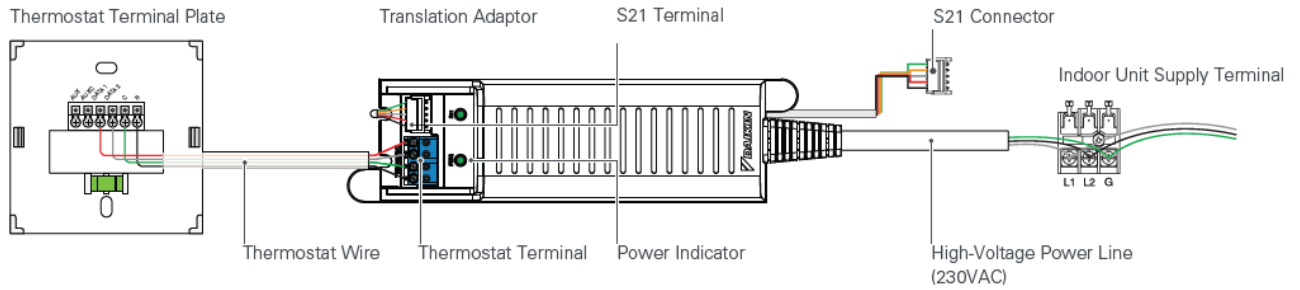
# Submittal Data Sheet

## DTST-LTE-LA-A- Daikin One Lite Smart Thermostat for Mini-Split, and Multi-Split Units

Project Name:	Approval:
Location:	Date:
Engineer:	Construction:
Submitted to:	Unit #:
Submitted by:	Drawing #:
Reference:	

### WIRING DIAGRAM:

For S21 indoor units (CDXS, CTXS, FDMQ, FDXS, FFQ, FTK, FTX, FTXG, FTXR, FTXS, FVXS)



**Note:**  
Wires should match up on thermostat terminal plate and thermostat terminal

Daikin North America LLC, 5151 San Felipe, Suite 500, Houston TX, 77056

[www.daikinac.com](http://www.daikinac.com)   [www.daikincity.com](http://www.daikincity.com)

(Daikin's products are subject to continuous improvements. Daikin reserves the right to modify product design, specifications and information in this data sheet without notice and without incurring any obligations)



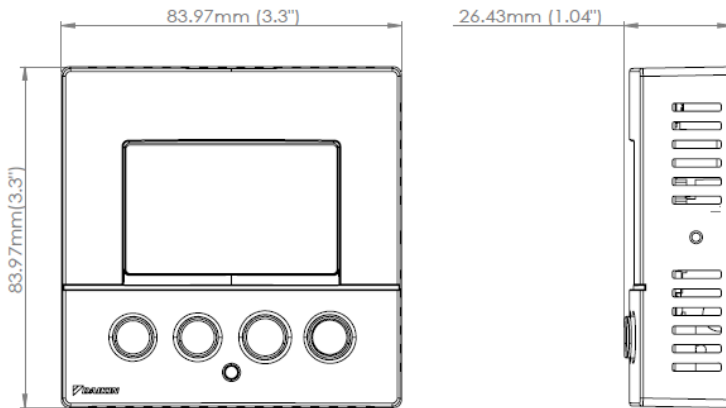
# Submittal Data Sheet

DTST-LTE-LA-A- Daikin One Lite Smart Thermostat  
for Mini-Split, and Multi-Split Units

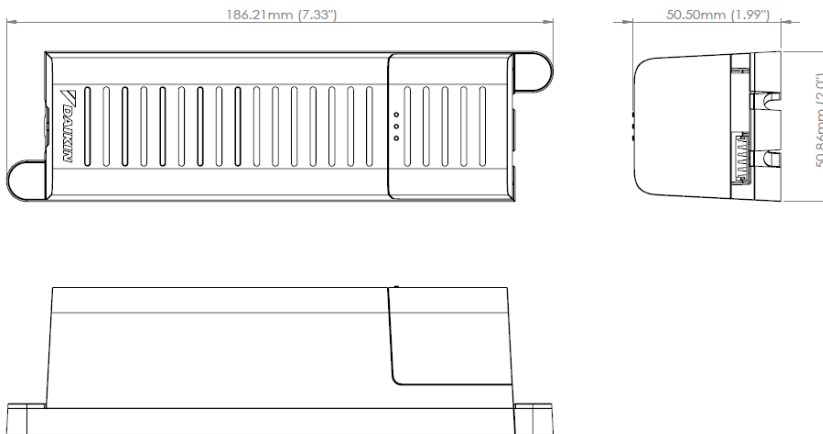
Project Name:		Approval:	
Location:		Date:	
Engineer:		Construction:	
Submitted to:		Unit #:	
Submitted by:		Drawing #:	
Reference:			

## DIMENSIONS:

- Thermostat:



- Translation Adaptor:



## DOCUMENTATION:

Documentation available on [www.daikinone.com](http://www.daikinone.com):

- Submittal
- Installation Manual
- Product Flyer

Daikin North America LLC, 5151 San Felipe, Suite 500, Houston TX, 77056

[www.daikinac.com](http://www.daikinac.com) [www.daikincity.com](http://www.daikincity.com)

(Daikin's products are subject to continuous improvements. Daikin reserves the right to modify product design, specifications and information in this data sheet without notice and without incurring any obligations)