



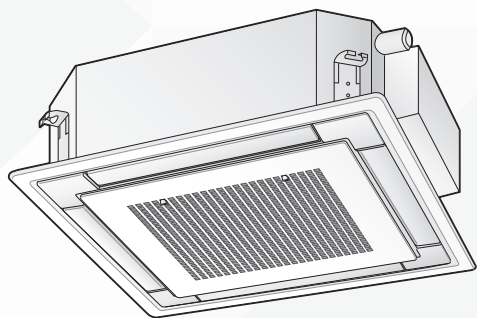
English

Français

Español

DAIKIN ROOM AIR CONDITIONER

# OPERATION MANUAL



Enjoy year-round comfort.

## MODELS

FFQ09W2VJU8  
FFQ12W2VJU8  
FFQ15W2VJU8  
FFQ18W2VJU8

# Contents

## ■ Read Before Operation

Safety Considerations ..... 1  
 Names of Parts ..... 4

## ■ Multi Connection

Note for Multi System ..... 5


## ■ Care

Care and Cleaning ..... 7  
 Troubleshooting ..... 11

The pictures in this document are for illustrative purposes only.

# Safety Considerations





Refer also to the General Safety Considerations in the separate booklet.

	<b>Read the precautions in this manual carefully before operating the unit.</b>
---	---

Read these **Safety Considerations for Operations** carefully before operating an air conditioner or heat pump.

Make sure that the unit operates properly during the startup operation. Instruct the user on how to operate and maintain the unit. Inform users that they should store this operation manual with the installation manual for future reference.

Meanings of **DANGER**, **WARNING**, **CAUTION**, and **NOTE** Symbols:

-  **DANGER** ..... Indicates an imminently hazardous situation which, if not avoided, will result in death or serious injury.
-  **WARNING** ..... Indicates a potentially hazardous situation which, if not avoided, could result in death or serious injury.
-  **CAUTION** ..... Indicates a potentially hazardous situation which, if not avoided, may result in minor or moderate injury. It may also be used to alert against unsafe practices.
-  **NOTE** ..... Indicates situations that may result in equipment or property damage accidents only.

## — **DANGER** —

- Do not install the unit in an area where flammable materials are present due to risk of explosion resulting in serious injury or death.
- Any abnormalities in the operation of the air conditioner or heat pump, such as smoke or fire, could result in severe injury or death. Turn off the power and contact your dealer immediately.
- Refrigerant gas may produce toxic gas if it comes into contact with fire, such as from a fan heater, stove, or cooking device. Exposure to this gas could cause severe injury or death.
- For refrigerant leakage, consult your dealer. Refrigerant gas is heavier than air and replaces oxygen. A massive leak could lead to oxygen depletion, especially in basements, and an asphyxiation hazard could occur leading to serious injury or death.
- If equipment utilizing a burner is used in the same room as the air conditioner or heat pump, there is the danger of oxygen deficiency which could lead to an asphyxiation hazard resulting in serious injury or death. Be sure to ventilate the room sufficiently to avoid this hazard.
- Safely dispose of the packing materials. Packing materials, such as nails and other metal or wooden parts, may cause stabs or other injuries.
- Tear apart and throw away plastic packaging bags so that children will not play with them. Children playing with plastic bags face the danger of death by suffocation.

**⚠ WARNING**

- Contact your dealer for repair and maintenance. Improper repair and maintenance may result in water leakage, electric shock, and fire. Only use accessories made by Daikin that are specifically designed for use with the equipment and have them installed by a professional.
- Contact your dealer to move and reinstall the air conditioner or heat pump. Incomplete installation may result in water leakage, electric shock, and fire.
- Never let the indoor unit or the remote controller get wet. Water can cause an electric shock or a fire.
- Never use flammable spray such as hair spray, lacquer, or paint near the unit. Flammable spray may cause a fire.
- When a fuse blows out, never replace it with one of incorrect ampere ratings or different wires. Always replace any blown fuse with a fuse of the same specification.
- Never remove the fan guard of the unit. A fan rotating at high speed without the fan guard is very dangerous.
- Never inspect or service the unit by yourself. Contact a qualified service person to perform this work.
- Turn off all electrical power before doing any maintenance to avoid the risk of serious electric shock; never sprinkle or spill water or liquids on the unit.
- Do not touch the switch with wet fingers. Touching a switch with wet fingers can cause electric shock.
- Do not allow children to play on or around the unit to prevent injury.
- The heat exchanger fins are sharp enough to cut. To avoid injury wear gloves or cover the fins while working around them.
- Do not put a finger or other objects into the air inlet or air outlet. The fan is rotating at high speed and will cause injury.
- Check the unit foundation for damage on a continuous basis, especially if it has been in use for a long time. If left in a damaged condition the unit may fall and cause injury.
- Do not touch the air outlet or horizontal blades while the swing flap is in operation because fingers could get caught and injured.
- Never touch the internal parts of the controller. Do not remove the front panel because some parts inside are dangerous to touch. To check and adjust internal parts, contact your dealer.
- Do not use means to accelerate the defrosting process or to clean, other than those recommended by the manufacturer.
- The appliance must be stored in a room without continuously operating ignition sources (for example: open flames, an operating gas appliance or an operating electric heater).
- Do not pierce or burn.
- Be aware that refrigerants may not contain an odor.

**⚠ CAUTION**

- Do not use the air conditioner or heat pump for any other purposes other than comfort cooling or heating. Do not use the unit for cooling precision instruments, food, plants, animals or works of art.
- Do not place items under the indoor unit as they may be damaged by condensates that may form if the humidity is above 80% or if the drain outlet gets blocked.
- Before cleaning, stop the operation of the unit by turning the power off or by pulling the supply cord out from its receptacle. Otherwise, an electric shock and injury may result.
- Do not wash the air conditioner or heat pump with excessive water. An electric shock or fire may result.
- Avoid placing the controller in a spot which may be splashed with water. Water entering the controller may cause an electric shock or damage the internal electronic parts.
- Do not operate the air conditioner or heat pump when using a room-fumigation type of insecticide. Failure to observe this could cause the chemicals to be deposited in the unit and can endanger the health of those who are hypersensitive to chemicals.
- Do not turn off the power immediately after stopping operation. Always wait for at least 5 minutes before turning off the power. Otherwise, water leakage may occur.
- The appliance is not intended for use by young children or infirm persons without supervision.
- The remote controller should be kept away from children so they cannot play with it.
- Consult with the installation contractor for cleaning.
- Incorrect cleaning of the inside of the air conditioner or heat pump could make the plastics parts break and cause water leakage or electric shock.
- Do not touch the air inlet or aluminum fin of the air conditioner or heat pump as they can cut and cause injury.
- Do not place objects in direct proximity of the outdoor unit. Do not let leaves and other debris accumulate around the unit. Leaves are a hotbed for small animals which can enter the unit. Once inside the unit, animals can cause the unit to malfunction, and cause smoke or fire when they make contact with electrical parts.

# Safety Considerations

## NOTE

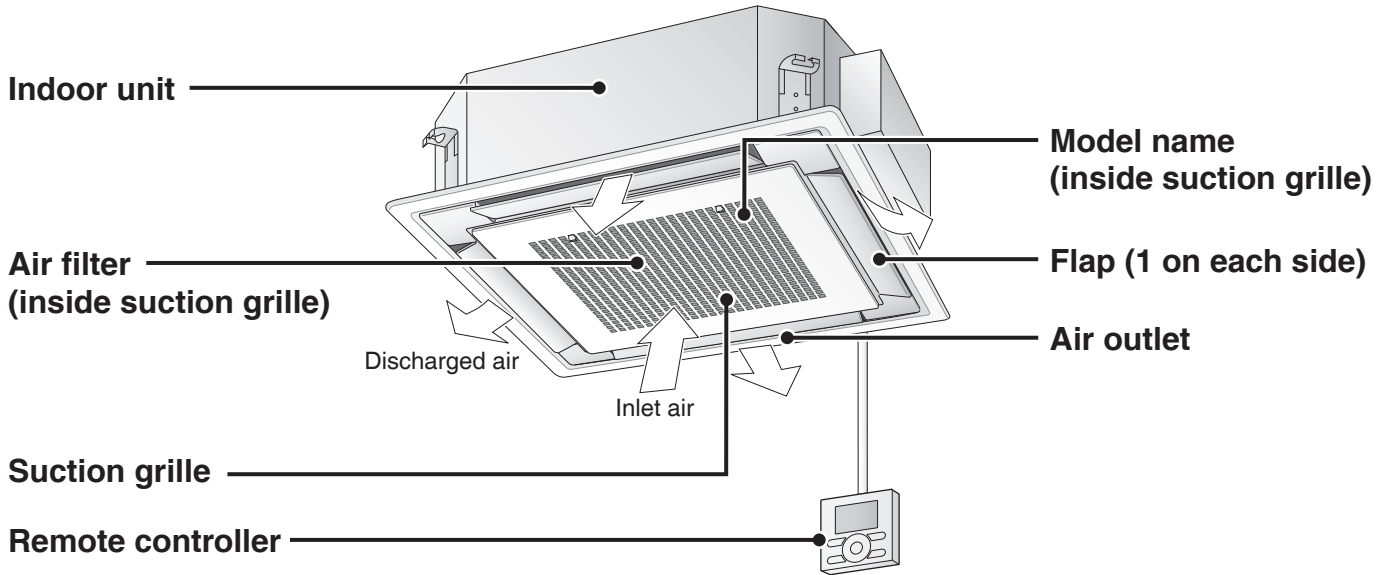
- Never press the button of the remote controller with a hard, pointed object. The remote controller may be damaged.
- Never pull or twist the electric wire of the remote controller. It may cause the unit to malfunction.
- Do not place appliances that produce open flames in places that are exposed to the airflow of the unit or under the indoor unit. It may cause incomplete combustion or deformation of the unit due to the heat.
- Do not expose the controller to direct sunlight. The LCD display can become discolored and may fail to display the data.
- Do not wipe the controller operation panel with benzine, thinner, chemical dust cloth, etc. The panel may get discolored or the coating can peel off. If it is heavily dirty, soak a cloth in water-diluted neutral detergent, squeeze it well and wipe the panel clean. Then wipe it with another dry cloth.
- Dismantling of the unit, disposal of the refrigerant, oil, and additional parts, should be done in accordance with the relevant local, state, and national regulations.
- Operate the air conditioner or heat pump in a sufficiently ventilated area and not surrounded by obstacles. Do not use the air conditioner or heat pump in the following places.
  - a. Places with a mist of mineral oil, such as cutting oil.
  - b. Locations such as coastal areas where there is a lot of salt in the air.
  - c. Locations such as hot springs where there is a lot of sulfur in the air.
  - d. Locations such as factories where the power voltage varies a lot.
  - e. In cars, boats, and other vehicles.
  - f. Locations such as kitchens where oil may splatter or where there is steam in the air.
  - g. Locations where equipment produces electromagnetic waves.
  - h. Places with an acid or alkaline mist.
  - i. Places where fallen leaves can accumulate or where weeds can grow.
- Take snow protection measures. Contact your dealer for the details of snow protection measures, such as the use of a snow protection hood.
- Do not attempt to do electrical work or grounding work unless you are licensed to do so. Consult with your dealer for electrical work and grounding work.
- Pay attention to operating sound. Be sure to use the following places:
  - a. Places that can sufficiently withstand the weight of the air conditioner or heat pump yet can suppress the operating sound and vibration.
  - b. Places where warm air from the air outlet of the outdoor unit or the operating sound of the outdoor unit does not annoy neighbors.
- Make sure that there are no obstacles close to the outdoor unit. Obstacles close to the outdoor unit may drop the performance of the outdoor unit or increase the operating sound of the outdoor unit.
- Consult your dealer if the air conditioner or heat pump in operation generates unusual noise.
- Make sure that the drainpipe is installed properly to drain water. If no water is discharged from the drainpipe while the air conditioner or heat pump is in the cooling mode, the drainpipe may be clogged with dust or dirt and water leakage from the indoor unit may occur. Stop operating the air conditioner or heat pump and contact your dealer.
- Do not spray the air conditioner unit with any deodorizers, etc. It may cause the unit to malfunction.

FFP002M-U

This is an appliance that is not accessible to the general public.

# Names of Parts

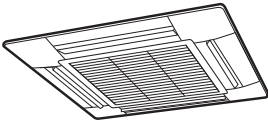
## Indoor Unit



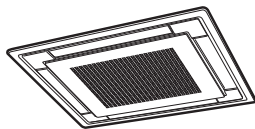
• The appearance of the suction grille and remote controller may differ between different models.

### Decoration panel

Type A

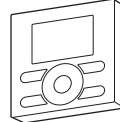


Type B

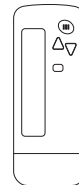


### Remote controller

Wired type

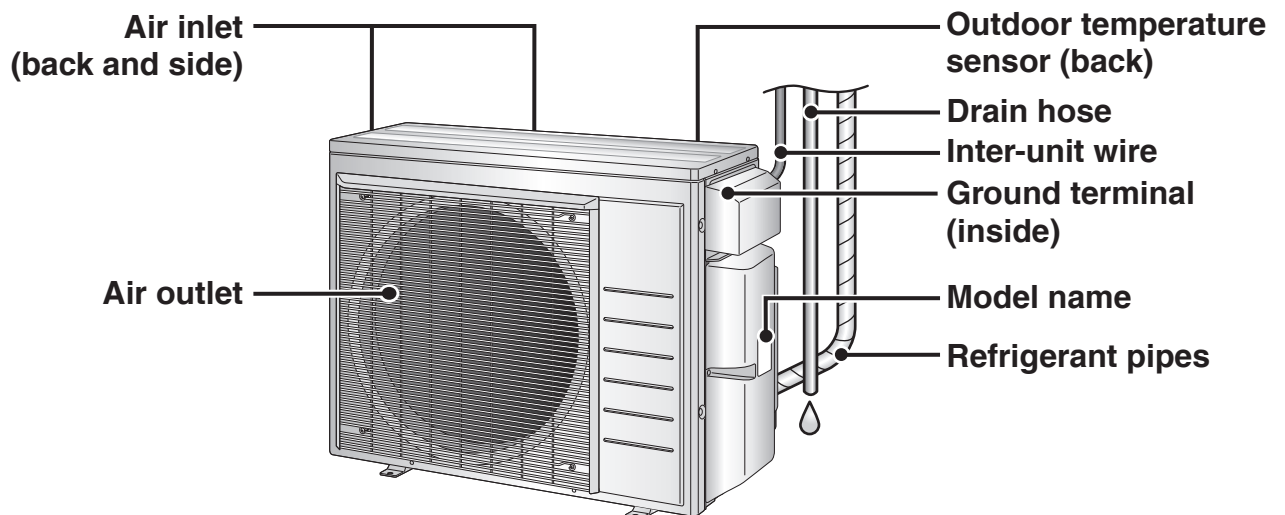


Wireless type



## Outdoor Unit

• The appearance of the outdoor unit may differ between different models.



# Note for Multi System

A multi system has one outdoor unit connected to multiple indoor units.

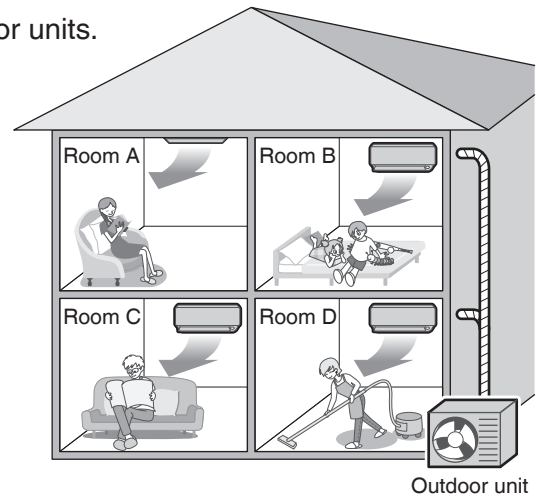
## Selecting the operation mode

**When the priority room setting is active but the set unit is not operating or when the priority room setting is inactive**

When more than one indoor unit is operating, priority is given to the first unit that was turned on.

In this case, set the units that are turned on later to the same operation mode as the first unit.

Otherwise, they will enter the standby state, and when using the wired remote controller the centralized control icon "CENTRAL CONTROL" will light up; this does not indicate malfunction.



## NOTE

### Notes on operation mode for a multi system

- COOL, DRY and FAN operation may be used at the same time.
- AUTO operation automatically selects COOL operation or HEAT operation based on the indoor temperature. Therefore, AUTO operation is available when selecting the same operation mode as that of the room with the first unit to be turned on.

## CAUTION

- Normally, the operation mode in the room where the unit is first started is given priority, but the following situations are exceptions to this rule. If the operation mode of the first room is FAN operation, then using HEAT operation in any room after this will give priority to HEAT operation. In this situation, the indoor unit operating in FAN mode will switch to standby, and when using the wired remote controller the centralized control icon "CENTRAL CONTROL" will light up.

### With the priority room setting active

Refer to "Priority room setting" on the next page.

## NIGHT QUIET mode (Available only for COOL operation)

NIGHT QUIET mode requires initial programming during installation. Please consult your retailer or dealer for assistance.

NIGHT QUIET mode reduces the operation noise of the outdoor unit during the night-time hours to prevent annoyance to neighbours.

- NIGHT QUIET mode is activated when the temperature drops 10.8°F (6°C) or more below the highest temperature recorded that day. When the temperature difference between the current outdoor temperature and the maximum outdoor temperature becomes less than 7.2°F (4°C), this function will be canceled.
- NIGHT QUIET mode slightly reduces the cooling efficiency of the unit.

## QUIET OUTDOOR UNIT operation (Function unavailable in the FFQ series)

For details on QUIET OUTDOOR UNIT operation, refer to the operation manual included with the remote controller.

**When the priority room setting is active but the set unit is not operating or when the priority room setting is inactive**

When using the QUIET OUTDOOR UNIT operation feature with a multi system, set all indoor units to QUIET OUTDOOR UNIT operation using their remote controllers.

When canceling QUIET OUTDOOR UNIT operation, simply cancel the mode on one of the operating indoor units using their remote controller. However QUIET OUTDOOR UNIT operation will remain displayed on the remote controllers for the other rooms.

We recommend you cancel operation in all rooms using their remote controllers.

### With the priority room setting active

Refer to "Priority room setting" on the next page.

## COOL/HEAT mode lock

The COOL/HEAT mode lock requires initial programming during installation. Please consult your authorized dealer for assistance. The COOL/HEAT mode lock sets the unit forcibly to either COOL or HEAT operation. This function is convenient when you wish to set all indoor units connected to the multi system to the same operation mode.

### NOTE

- The COOL/HEAT mode lock cannot be activated together with the priority room setting.

## Priority room setting

The priority room setting requires initial programming during installation. Please consult your authorized dealer for assistance. The room designated as the priority room takes priority in the following situations.

### Operation mode priority

- As the operation mode of the priority room takes precedence, you can select a different operation mode from other rooms.

#### [Example]

- Room A is the priority room in this example.  
When COOL operation is selected in room A while operating the following modes in room B, C and D:

Operation mode in room B, C and D	Status of room B, C and D when the unit in room A is in COOL operation
COOL or DRY or FAN	The current operation mode is maintained.
HEAT	The unit enters the standby mode. Operation resumes when the room A unit stops operating.
AUTO	If the unit is set to COOL operation, it continues. If the unit is set to HEAT operation, it enters the standby mode. Operation resumes when the room A unit stops operating.

### Priority when QUIET OUTDOOR UNIT operation is used (Function unavailable in the FFQ series)

#### [Example]

- Room A is the priority room in this example.  
Just by setting the unit in room A to QUIET operation, the air conditioner starts QUIET OUTDOOR UNIT operation.  
You do not have to set all the indoor units in operation to QUIET OUTDOOR UNIT operation.

### Priority when POWERFUL operation is used (Function unavailable in the FFQ series)

#### [Example]

- Room A is the priority room in this example.  
The indoor units in rooms A, B, C and D are all operating. If the unit in room A enters POWERFUL operation, operation capacity will be concentrated in room A. In such a case, the cooling (heating) efficiency of the units in room B, C and D may be slightly reduced.



# Care and Cleaning

## WARNING

- Only a qualified service person is allowed to perform maintenance.
- Before cleaning, be sure to stop unit operation and turn off the circuit breaker. Otherwise, an electric shock and injury may result.
- Contact a qualified person regarding the attachment of accessories and be sure to use only accessories specified by the manufacturer. If an accessory is attached incorrectly, water leakage, an electric shock, or fire may result.

## CAUTION

- When cleaning, use a sturdy and stable stand and watch your step.
- Make sure to firmly support the suction grille with your hand while performing maintenance tasks to prevent it from falling out.

## ■ Quick reference

### Cleaning parts

#### Outside panel and flaps

- Wipe the parts with a soft cloth.
- When it is difficult to remove stains, use water or a neutral detergent.
- If the flaps are stained severely, contact your dealer and have the flaps replaced.

**If dirty**

#### Air filter

- Vacuum dust or wash the filter.

When the air filter cleaning time indicator lamp on the decoration panel lights up or when "Time to clean filter" displays on the wired remote controller

▶ Page 8

#### Remote controller

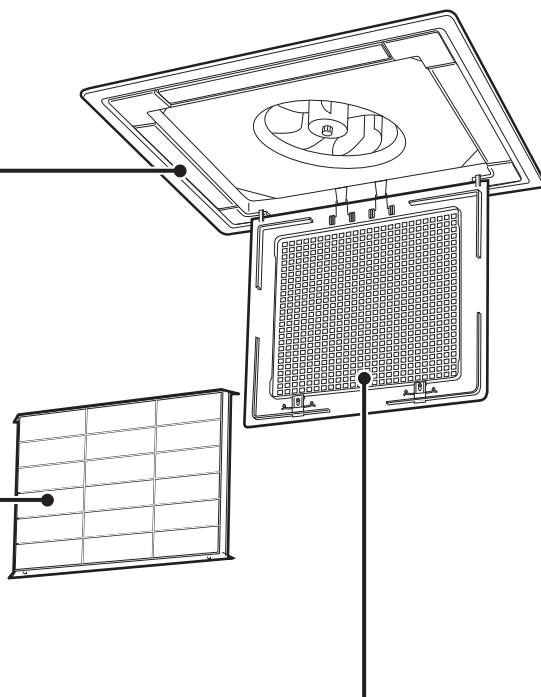
- Wipe them with a soft cloth.

**If dirty**

#### Suction grille

- Wipe it with a soft damp cloth.

**If dirty** ▶ Page 9, 10



### Notes on cleaning

#### For cleaning, do not use any of the following:

- Water hotter than 104°F (40°C)
- Volatile liquid such as benzene, gasoline and thinner
- Polishing compounds or liquid insecticide
- Rough materials such as a scrubbing brush
- Sprays such as deodorizers





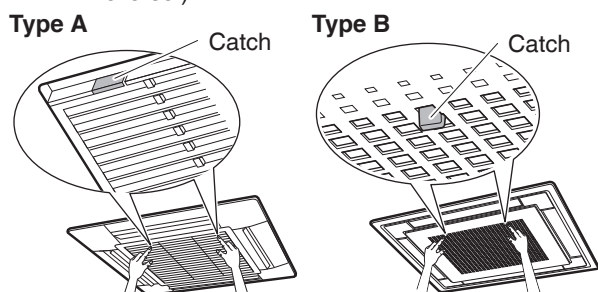
## ■ Cleaning the air filter

Clean the air filter when the air filter cleaning time indicator lamp on the decoration panel lights up or when “Time to clean filter” displays on the wired remote controller.

- If the unit is installed in a room where the impurity content of the air is high, clean the filter more frequently.
- If the filter has become difficult to clean, replace the air filter. (Additional air filter sold separately.)

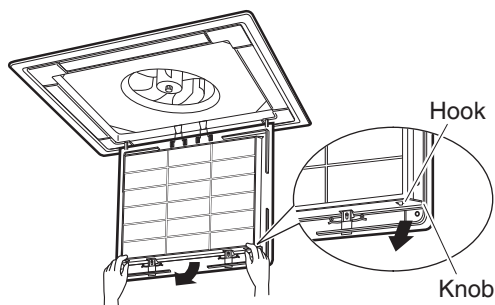
### 1. Open the suction grille.

- Push the 2 catches away from you and slowly open the suction grille. (To close, perform the steps in reverse.)

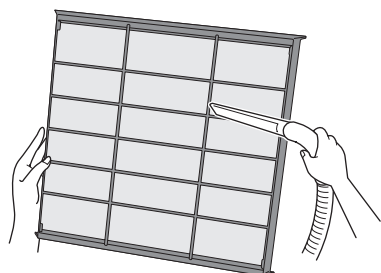


### 2. Remove the air filter.

- Pull the knobs of the air filter downward to disconnect the hooks, and remove the air filter.

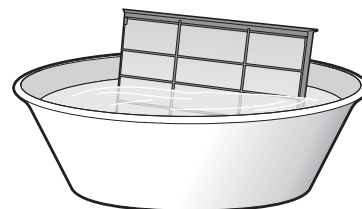


### 3. Clean the air filter with a vacuum cleaner or wash it with water.



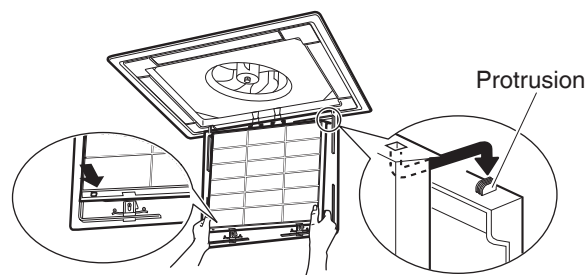
### If the dust does not come off easily

- Wash the air filter using a soft brush and a neutral detergent, then let it dry in the shade.



### 4. Reattach the air filter.

- 4-1 Hook one side of the air filter on to the protrusions on the suction grille.
- 4-2 Push the other side of the air filter into place.



### 5. Close the suction grille.

- Refer to STEP 1.

### 6. After turning on the power, reset the filter sign in accordance with the instructions in the operation manual for the wired remote controller or wireless remote controller.

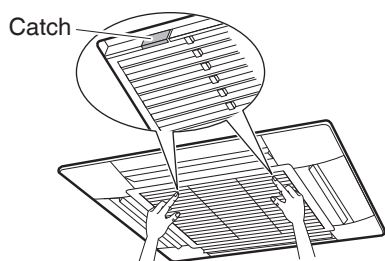
- The air filter cleaning time indicator lamp on the decoration panel turns off or “Time to clean filter” disappears from the display on the wired remote controller.

# Care and Cleaning

## ■ Cleaning the suction grille (for type A)

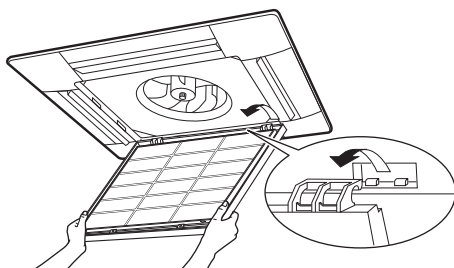
### 1. Open the suction grille.

- Push the 2 catches away from you and slowly open the suction grille. (To close, perform the steps in reverse.)



### 2. Remove the suction grille.

- Open the suction grille until it is 45 degrees to the ceiling and then lift it upward.



### 3. Remove the air filter. ▶ Page 8

### 4. Clean the suction grille.

Wash with a soft bristle brush and a neutral detergent or water, and dry thoroughly.



#### • When very dirty

Directly apply the type of detergent used for cleaning ventilation fans or ovens, wait for about 10 minutes, and then rinse with water.

### 5. Reattach the air filter. ▶ Page 8

### 6. Reattach the suction grille.

- Refer to STEP 2.

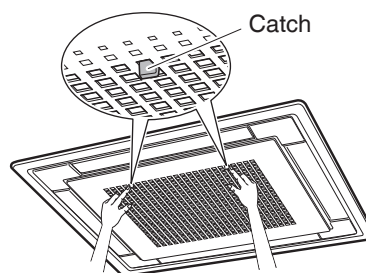
### 7. Close the suction grille.

- Refer to STEP 1.

## ■ Cleaning the suction grille (for type B)

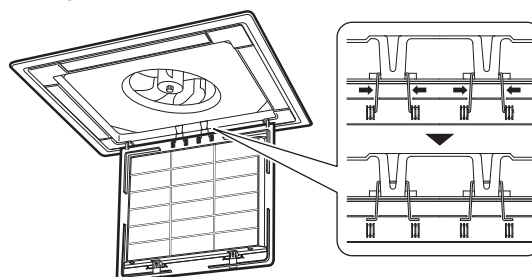
### 1. Open the suction grille.

- Push the 2 catches away from you and slowly open the suction grille. (To close, perform the steps in reverse.)



### 2. Remove the suction grille.

- Open the suction grille so that it hangs by the hinges at 90 degrees to the ceiling.
- Pinch the wire catches inward as shown in the figure.



### 3. Remove the air filter. ▶ Page 8

## 4. Clean the suction grille.

Wash with a soft bristle brush and a neutral detergent or water, and dry thoroughly.



- **When very dirty**

Directly apply the type of detergent used for cleaning ventilation fans or ovens, wait for about 10 minutes, and then rinse with water.

## 5. Reattach the air filter. ▶ Page 8

## 6. Reattach the suction grille.

- Refer to STEP 2.

## 7. Close the suction grille.

- Refer to STEP 1.

### ■ Prior to a long period of non-use

## 1. Operate the FAN mode for several hours to dry out the inside.

- To start the operation, refer to the operation manual for the remote controller.

## 2. After operation stops, turn off the circuit breaker for the room air conditioner.

## 3. Clean the air filter and reattach it.

## 4. To prevent battery leakage, take out the batteries from the remote controller. (Only for the wireless remote controller)

### ■ We recommend periodical maintenance

- In certain operating conditions, the inside of the air conditioner may get foul after several seasons of use, resulting in poor performance. It is recommended to have periodical maintenance by a qualified contractor.
- For qualified contractor maintenance, please contact the dealer where you bought the air conditioner.

# Troubleshooting

Before making an inquiry or a request for repair, please check the following.  
If the problem persists, consult your dealer.



## Not a problem

This case is not a problem.




## Check

Please check again before requesting repairs.

Case	Description / what to check
<b>Operation does not start soon.</b> <ul style="list-style-type: none"> <li>When ON/OFF button was pressed soon after operation was stopped.</li> <li>When the mode was reselected.</li> </ul>	<input checked="" type="checkbox"/> <ul style="list-style-type: none"> <li>This is to protect the air conditioner. You should wait for about 3 minutes.</li> </ul>
<b>Air does not come out.</b>	<input checked="" type="checkbox"/> <ul style="list-style-type: none"> <li><b>In HEAT operation</b> <ul style="list-style-type: none"> <li>The air conditioner is warming up. Wait for about 1 to 4 minutes.</li> <li>During defrosting operation, hot air does not flow out of the indoor unit.</li> </ul> </li> <li><b>When the air conditioner operates immediately after the circuit breaker is turned on</b> <ul style="list-style-type: none"> <li>The air conditioner is preparing to operate. Wait for about 3 to 20 minutes.</li> </ul> </li> </ul>
<b>The HEAT operation stops suddenly and a flowing sound is heard.</b>	<input checked="" type="checkbox"/> <ul style="list-style-type: none"> <li>The system is taking away the frost on the outdoor unit. You should wait for about 4 to 12 minutes.</li> </ul>
<b>The outdoor unit emits water or steam.</b>	<input checked="" type="checkbox"/> <ul style="list-style-type: none"> <li><b>In HEAT mode</b> <ul style="list-style-type: none"> <li>The frost on the outdoor unit melts into water or steam when the air conditioner is in defrost operation.</li> </ul> </li> <li><b>In COOL or DRY mode</b> <ul style="list-style-type: none"> <li>Moisture in the air condenses into water on the cool surface of outdoor unit piping and drips.</li> </ul> </li> </ul>
<b>Mist comes out of the indoor unit.</b>	<input checked="" type="checkbox"/> <ul style="list-style-type: none"> <li>This happens when the air in the room is cooled into mist by the cold airflow during cooling operation.</li> </ul>
<b>The indoor unit gives out odor.</b>	<input checked="" type="checkbox"/> <ul style="list-style-type: none"> <li>This happens when smells of the room, furniture, or cigarettes are absorbed into the unit and discharged with the airflow. (If this happens, we recommend you to have the indoor unit washed by a technician. Consult your dealer where you bought the air conditioner.)</li> </ul>
<b>The outdoor fan rotates while the air conditioner is not in operation.</b>	<input checked="" type="checkbox"/> <ul style="list-style-type: none"> <li><b>After operation is stopped:</b> <ul style="list-style-type: none"> <li>The outdoor fan continues rotating for another 1 minute for system protection.</li> </ul> </li> <li><b>While the air conditioner is not in operation:</b> <ul style="list-style-type: none"> <li>When the outdoor temperature is very high, the outdoor fan starts rotating for system protection.</li> </ul> </li> </ul>
<b>The operation stopped suddenly. (OPERATION lamp* is on.)</b>	<input checked="" type="checkbox"/> <ul style="list-style-type: none"> <li>For system protection, the air conditioner may stop operating on a sudden large voltage fluctuation. It automatically resumes operation in about 3 minutes.</li> <li>Are operation modes all the same for indoor units connected to outdoor units in the <b>multi system</b>? If not, set all indoor units to the same operation mode.</li> </ul>
<b>The air conditioner does not operate. (OPERATION lamp* is off.)</b>	<input type="checkbox"/> <ul style="list-style-type: none"> <li>Hasn't the circuit breaker turned OFF or a fuse blown?</li> <li>Isn't it a power failure?</li> <li>Are batteries set in the remote controller?</li> <li>Is the timer setting correct?</li> </ul>
<b>Cooling (Heating) effect is poor.</b>	<input type="checkbox"/> <ul style="list-style-type: none"> <li>Are the air filters clean?</li> <li>Is there anything blocking the air inlet or the outlet of the indoor and the outdoor units?</li> <li>Is the temperature setting appropriate?</li> <li>Are the windows and doors closed?</li> <li>Are the airflow rate and the air direction set appropriately?</li> </ul>
<b>Operation stops suddenly. (OPERATION lamp* is blinking.)</b>	<input type="checkbox"/> <ul style="list-style-type: none"> <li>Are the air filters clean?</li> <li>Is there anything blocking the air inlet or the outlet of the indoor and the outdoor units? Clean the air filters or take all obstacles away and turn the circuit breaker OFF. Then turn it ON again and try operating the air conditioner with the remote controller. If the lamp still blinks, call your dealer where you bought the air conditioner.</li> </ul>

\* The OPERATION lamp is on the receiver of the separately sold wireless remote controller or wired remote controller.

Case	Description / what to check
<b>An abnormal functioning happens during operation.</b>	 • The air conditioner may malfunction with lightning or radio waves. Turn the breaker OFF, turn it ON again and try operating the air conditioner with the remote controller.

### Notes on the operating conditions

- If operation continues under any conditions other than those listed in the table,
  - A safety device may activate to stop the operation. (With a multi connection in COOL operation, the safety device may work to stop the operation of the outdoor unit only.)
  - Dew may form on the indoor unit and drip from it when COOL or DRY operation is selected.
- \*1 Cutting the jumper on the outdoor unit PCB will extend the cooling operation range to 14°F (–10.0°C). Installing an air direction adjustment grille (sold separately) will further extend the operation range to –4°F (–20.0°C). Please consult your dealer.
- \*2 Installing a drain pan heater (sold separately) will further extend the heating operation range to –13°F (–25.0°C). Please consult your dealer.

Mode	Operating conditions
COOL / DRY	Outdoor temperature: [MXS, MXL, MXLH models] : 14 - 115°F (–10 - 46°C) [RX models] : 50*1 - 115°F (10*1 - 46°C) *1 –4°F (–20°C) If an air direction adjustment grille (sold separately) is installed.
	Indoor temperature : 64 - 90°F (18 - 32°C) Indoor humidity : 80% max.
HEAT	Outdoor temperature: [MXS models] : 5 - 75°F (–15 - 24°C) [MXL models] : 5*2 - 75°F (–15*2 - 24°C) [MXLH models] : –13 - 75°F (–25 - 24°C) [RX models] : 5 - 75°F (–15 - 24°C) *2 –13°F (–25°C) If a drain pan heater (sold separately) is installed.
	Indoor temperature : 50 - 86°F (10 - 30°C)

## ■ Call your dealer immediately

### WARNING

**When an abnormality (such as a burning smell) occurs, stop operation and turn off the circuit breaker.**

- Continued operation in an abnormal condition may result in problems, electric shock or fire.
- Consult the dealer where you bought the air conditioner.

**Do not attempt to repair or modify the air conditioner by yourself.**

- Incorrect work may result in electric shock or fire.
- Consult the dealer where you bought the air conditioner.

**If one of the following symptoms takes place, call your dealer immediately.**

- The power cord is abnormally hot or damaged.
- An abnormal sound is heard during operation.
- The circuit breaker cuts off the operation frequently.
- A switch or a button often fails to work properly.
- There is a burning smell.
- Water leaks from the indoor unit.

Turn off the circuit breaker and call your dealer.



#### ■ After a power failure

- The air conditioner automatically resumes operation in about 3 minutes. You should just wait for a while.

#### ■ Lightning

- If there is a risk lightning could strike in the neighborhood, stop operation and turn off the circuit breaker to protect the system.

## ■ Disposal requirements

- Dismantling of the unit, handling of the refrigerant, oil and other parts, should be done in accordance with the relevant local and national regulations.

**DAIKIN COMFORT TECHNOLOGIES NORTH AMERICA, INC.**

19001 Kermier Road  
Waller, TX 77484  
<https://www.northamerica-daikin.com>



The two-dimensional bar code is a manufacturing code.

3P708099-1 M22B326 (2211) HT