

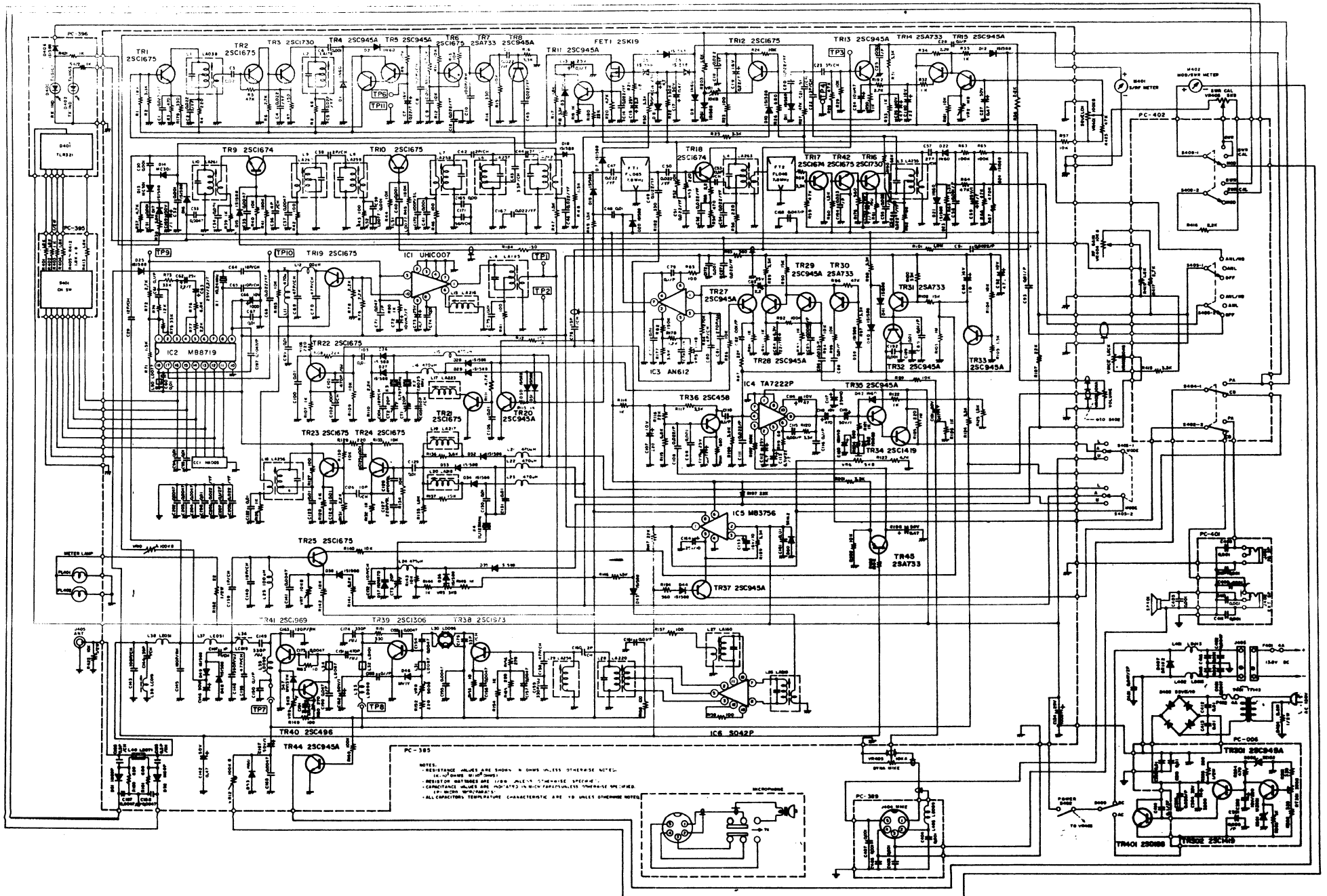
COBRA

142GTL

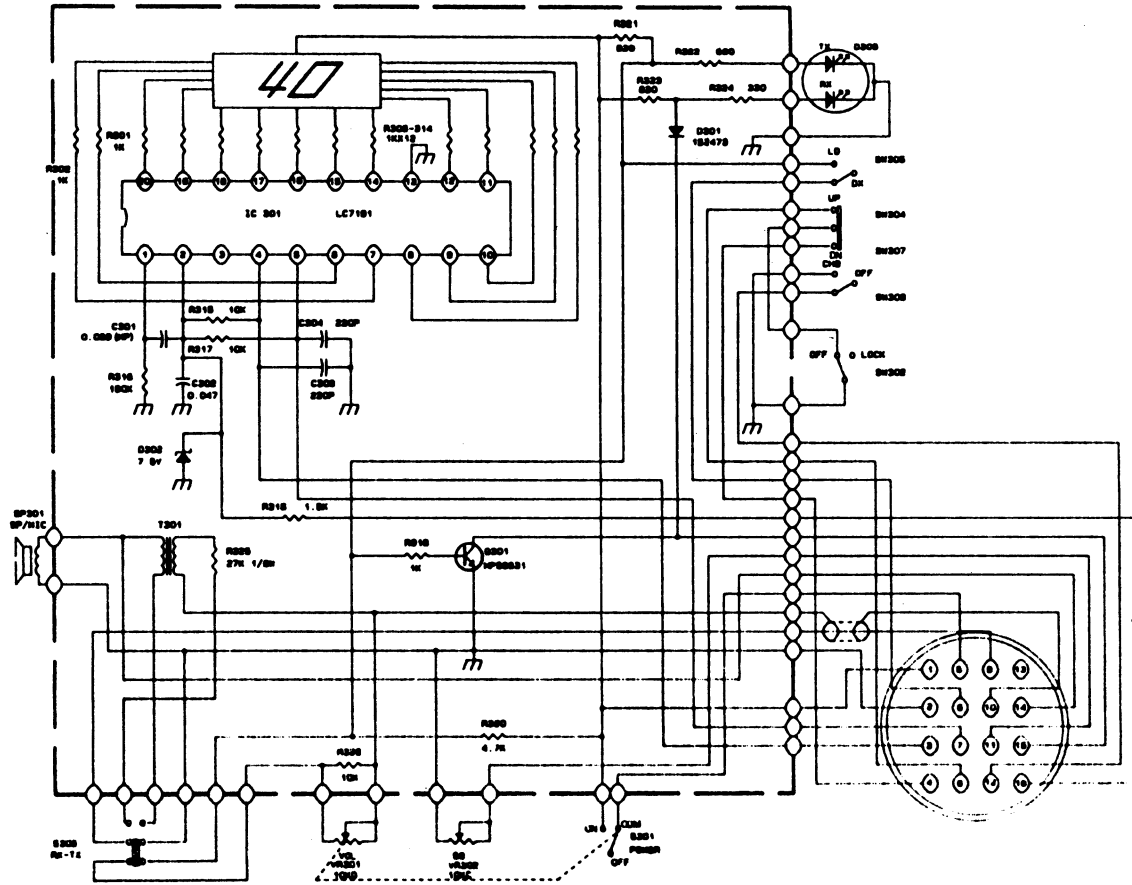
MODEL

SERVICE MANUAL

COBRA 142GTL



NOTES:
 1. RESISTOR VALUES ARE SHOWN IN OHMS UNLESS OTHERWISE NOTED.
 2. IC PIN NUMBERS IN PARENTHESES.
 3. RESISTOR VALUES ARE 1/8W 5% TOL 0.25W 5% TOL.
 4. CAPACITANCE VALUES ARE 50V UNLESS OTHERWISE SPECIFIED.
 5. ALL CONNECTIONS ARE TO BE MADE TO THE BOARD UNLESS OTHERWISE NOTED.
 6. ALL CONNECTIONS TEMPERATURE CHARACTERISTICS ARE 10 UNLESS OTHERWISE NOTED.



943059A