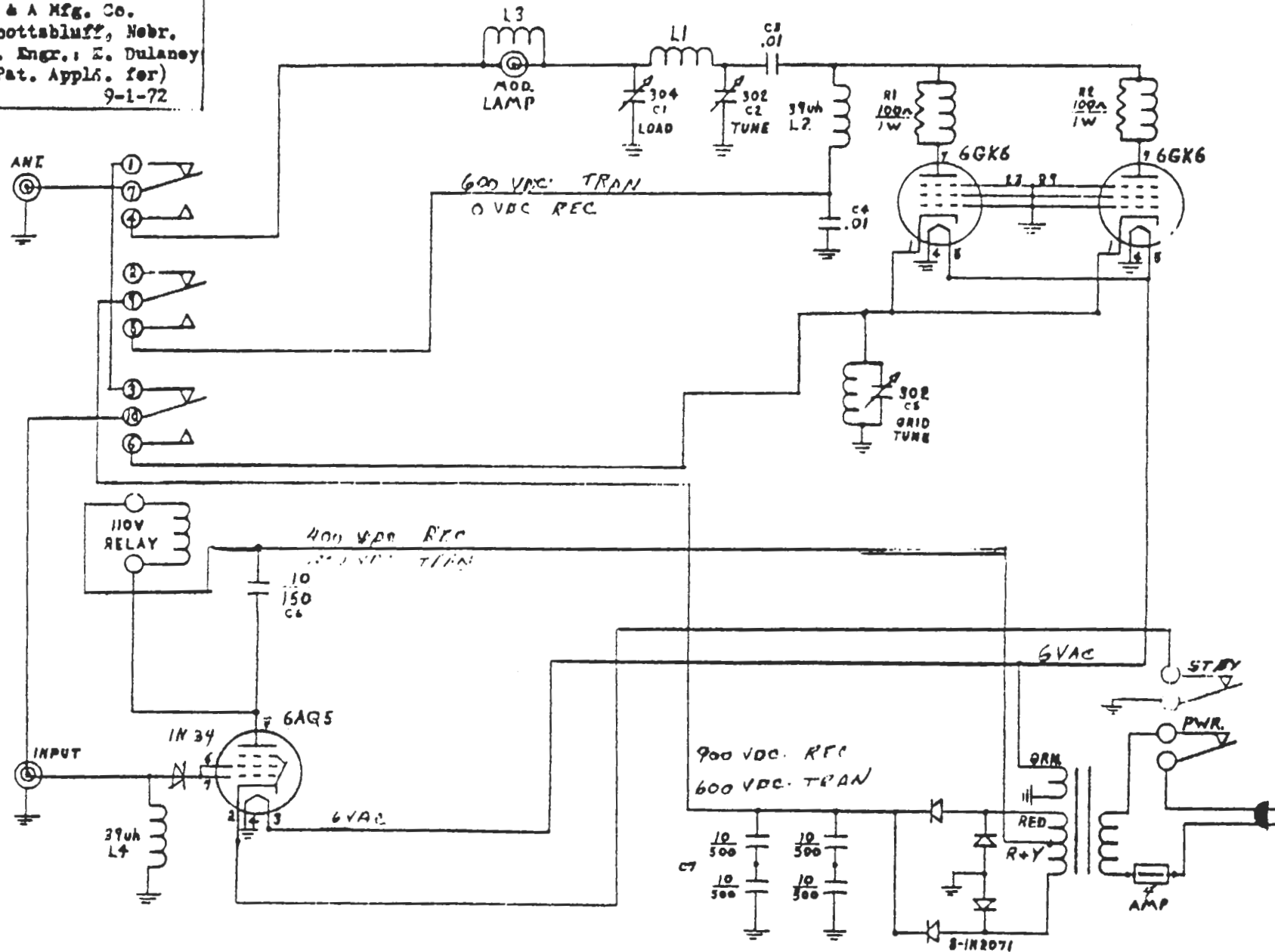
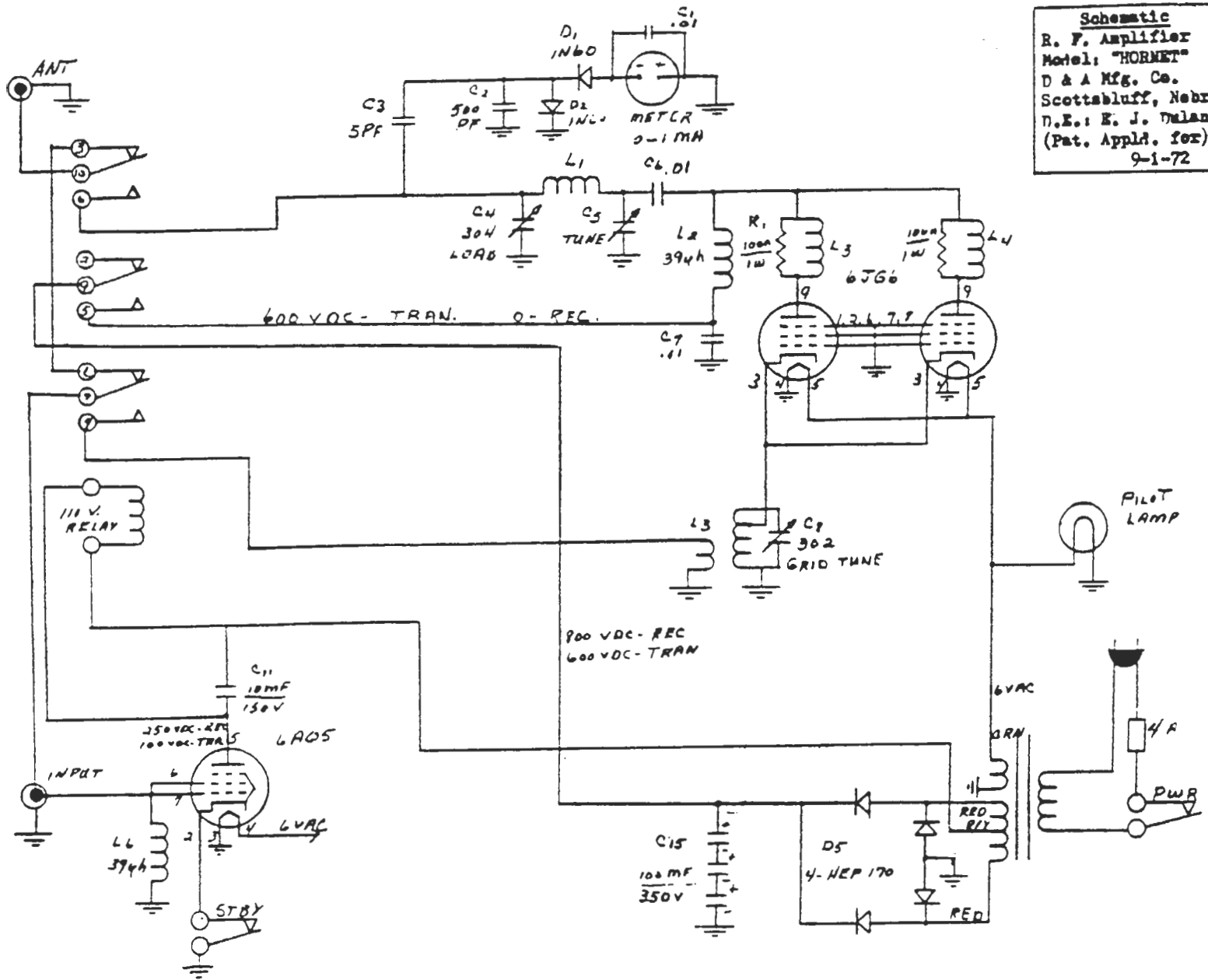


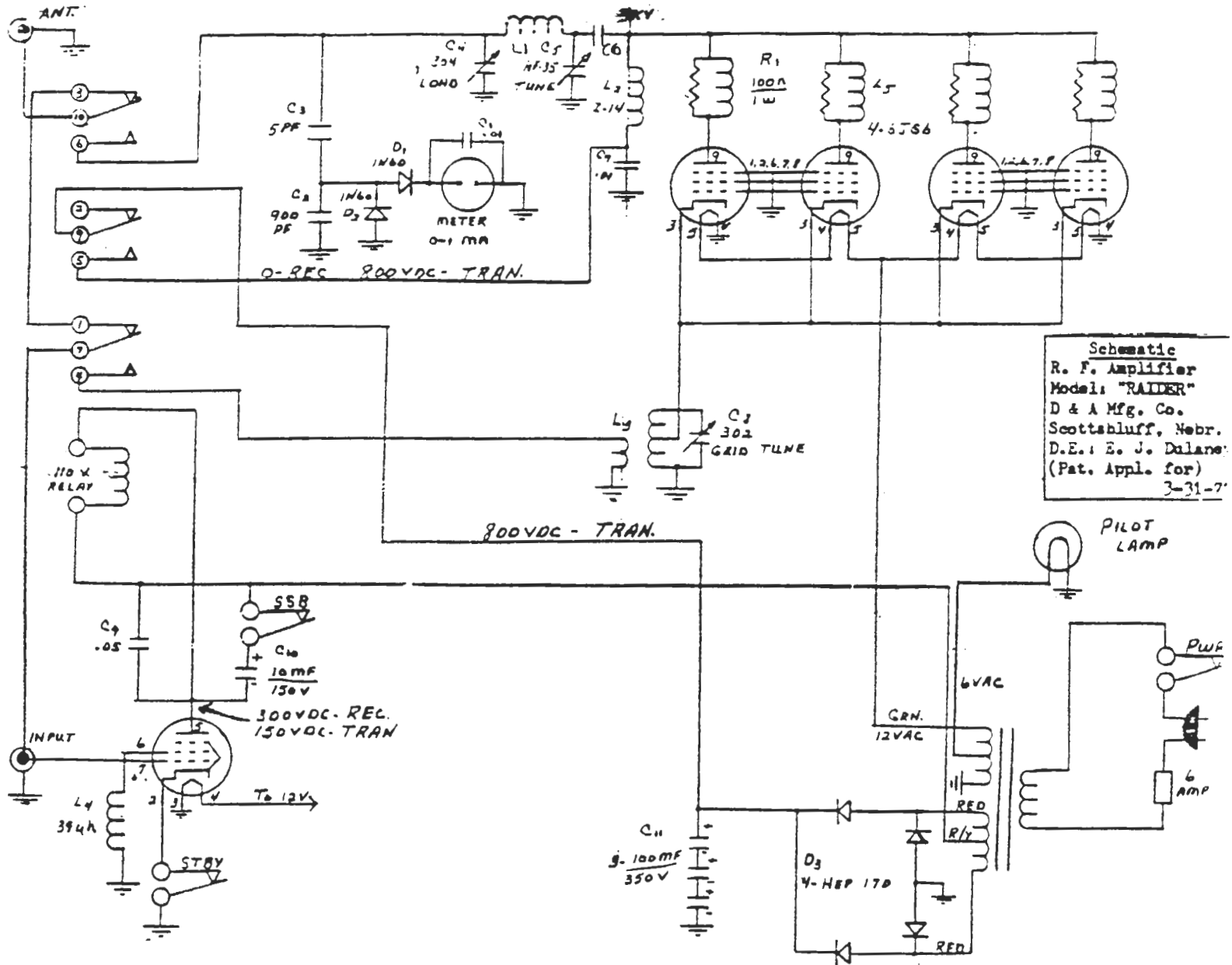
Schematic - "4AWK"

R. F. Amplifier
 P & A Mfg. Co.
 Scottsbluff, Nebr.
 D. Engr.: E. Dulaney
 (Pat. Appld. for)
 9-1-72

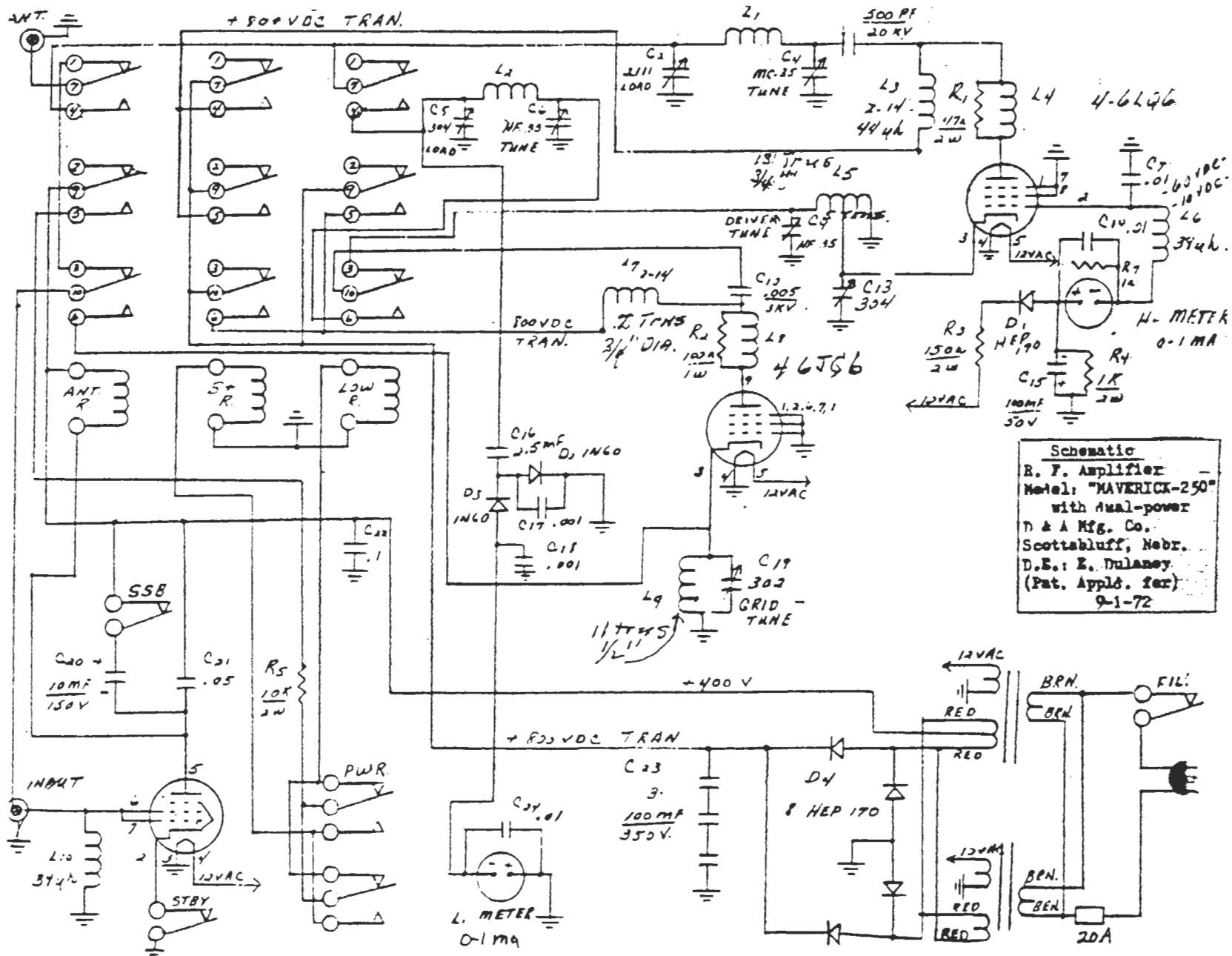


Schematic
R. F. Amplifier
Model: "HORNET"
D & A Mfg. Co.
Scottsbluff, Nebr.
D. E. E. J. Dulane
(Pat. Appld. for)
9-1-72

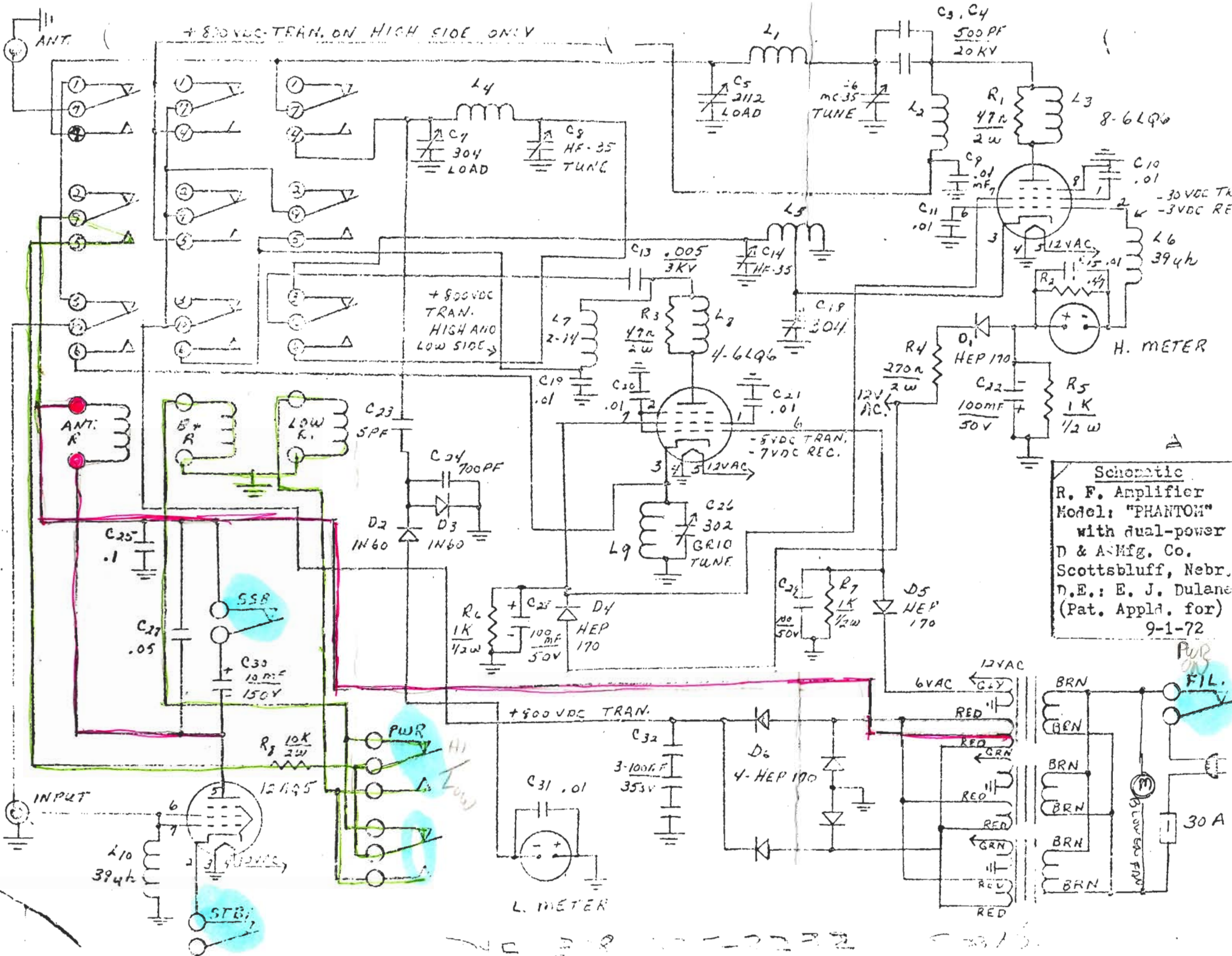




Schematic
 R. F. Amplifier
 Model: "RAIDER"
 D & A Mfg. Co.
 Scottsbluff, Nebr.
 D.E. & E. J. Dalane:
 (Pat. Appl. for)
 3-31-7'



Schematic
 R. F. Amplifier
 Model: "MAVERICK-250"
 with dual-power
 D & A Mfg. Co.
 Scottsbluff, Nebr.
 D.E.: E. Dulaney
 (Pat. Appl. for)
 9-1-72

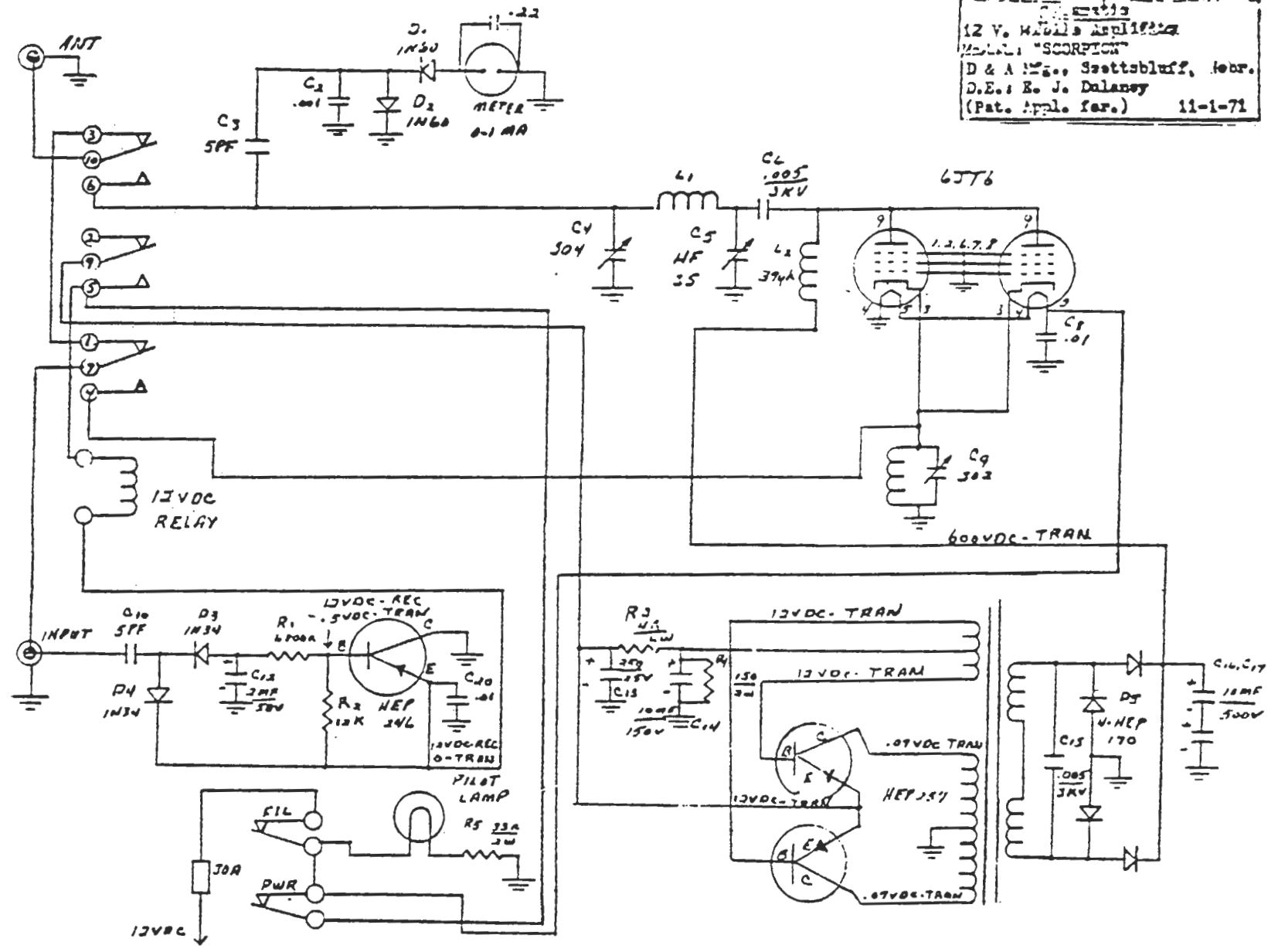


Schematic
 R. F. Amplifier
 Model: "PHANTOM"
 with dual-power
 D & A-Mfg. Co.
 Scottsbluff, Nebr.
 D.E.: E. J. Dulane
 (Pat. Appld. for)
 9-1-72

PUR
 203
 FIL.

30 A

Model: "SCORPION"
 D & A Eng., Seetzbluff, lehr.
 D. Es. E. J. Dalaney
 (Pat. Appl. for.) 11-1-71



SCHEMATIC - BANDIT 11
 112 V. Mobile Amplifier
 D + A Mfg. Co.
 Scottsbluff, Nebr.
 D. Engr. E. Dulaney
 (Pat. appl. for) 1-10-72

