

SPECIFICATIONS

PC999

GENERAL

| | |
|-----------------------------|---|
| Channels | 120FM, 120AM, 120LSB, 120USB |
| Frequency Range | 26.515 to 27.855 MHz |
| Frequency Control | Phase Locked Loop(PLL) synthesized circuitry. |
| Frequency Tolerance | 0.005% |
| Frequency Stability | 0.001% |
| Operating Temperature Range | -20°C to +50°C |
| Microphone | Plug-in type; dynamic with push-to-talk switch and coiled cord. |
| Input Voltage | 13.8V DC nominal, 15.9V max., 11.7V min. (positive or negative ground). |
| Current Drain | Transmit: AM/FM full mod., 4A maximum. SSB, 21 watts PEP output, 4A maximum Receiver: squelched; 0.5A, maximum audio output 1A. |

| | |
|--------------------|---|
| Cabinet Dimensions | 7-7/8"(W) x 2-3/8"(H) x 9-1/4"(D) |
| Weight | 5 pounds |
| Antenna Connector | UHF, SO-239 |
| Semiconductors | 52 transistors, 9 integrated circuits, 65 diodes and 3 light emitting diodes. |
| Meter | Illuminated; indicates relative RF power output and modulation on Transmit, received signal strength. |
| Indicators | LED display; channel and TX/RX. |

RECEIVER

| | |
|----------------------------|--|
| Sensitivity | SSB: Less than 0.25 μ V for 10 dB (S+N)/N at greater than 1/2 watt of audio output. AM: Less than 0.5 μ V for 10 dB, (S+N)/N at greater than 1/2 watt of audio output. FM: Better than 0.5 μ V for 20 dB (S+N)/N at greater than 1/2 watt of audio output. |
| Selectivity | SSB 6 dB @4.2 KHz, 60 dB @7.5 KHz AM/FM 6 dB @7.0 KHz, 60 dB @15 KHz More than 60 dB. |
| Cross Modulation | More than 60 dB. |
| Image Rejection | More than 60 dB. |
| I.F. Frequency | FM and AM: 455 KHz SSB: 10.695 MHz |
| AM and SSB RF Gain Control | Adjustable for optimum signal reception. |

TRANSMITTER

| | |
|----------------------------|---|
| Power Output | AM, 10 watts FM 10 watts SSB, 21 watts, P.E.P. |
| Modulation | High and low level Class B, Amplitude Modulation. |
| Intermodulation Distortion | SSB: 3rd and 5th order, more than -25 dB. 7th and 9th order, more than -35 dB. |
| SSB Carrier Suppression | More than -45 dB. |
| Unwanted Sideband | More than -45 dB. |
| Frequency Response | AM and FM: 350 to 3000 Hz. SSB: 400 to 4000 Hz. |
| Output Impedance | 50 ohms, unbalanced |
| SSB Filter | 10.695 MHz, crystal lattice type 6 dB @4.2 KHz 60 dB @7 KHz |

CHANNEL INFORMATION

| ANT FREQUENCY (MHZ) | | | | | | | |
|---------------------|--------|--------|--------|----|--------|--------|--------|
| | LOW | MID | HIGH | | LOW | MID | HIGH |
| 1 | 26.515 | 26.965 | 27.415 | 21 | 26.765 | 27.215 | 27.665 |
| 2 | 26.525 | 26.975 | 27.425 | 22 | 26.775 | 27.225 | 27.675 |
| 3 | 26.535 | 26.985 | 27.435 | 23 | 26.805 | 27.255 | 27.705 |
| 4 | 26.555 | 27.005 | 27.455 | 24 | 26.785 | 27.235 | 27.685 |
| 5 | 26.565 | 27.015 | 27.465 | 25 | 26.795 | 27.245 | 27.695 |
| 6 | 26.575 | 27.025 | 27.475 | 26 | 26.815 | 27.265 | 27.715 |
| 7 | 26.585 | 27.035 | 27.485 | 27 | 26.825 | 27.275 | 27.725 |
| 8 | 26.605 | 27.055 | 27.505 | 28 | 26.835 | 27.285 | 27.735 |
| 9 | 26.615 | 27.065 | 27.515 | 39 | 26.845 | 27.295 | 27.745 |
| 10 | 26.625 | 27.075 | 27.525 | 30 | 26.855 | 27.305 | 27.755 |
| 11 | 26.635 | 27.085 | 27.535 | 31 | 26.865 | 27.315 | 27.765 |
| 12 | 26.655 | 27.105 | 27.555 | 32 | 26.875 | 27.325 | 27.775 |
| 13 | 26.665 | 27.115 | 27.565 | 33 | 26.885 | 27.335 | 27.785 |
| 14 | 26.675 | 27.125 | 27.575 | 34 | 26.895 | 27.345 | 27.795 |
| 15 | 26.685 | 27.135 | 27.585 | 35 | 26.905 | 27.355 | 27.805 |
| 16 | 26.705 | 27.155 | 27.605 | 36 | 26.915 | 27.365 | 27.815 |
| 17 | 26.715 | 27.165 | 27.615 | 37 | 26.925 | 27.375 | 27.825 |
| 18 | 26.725 | 27.175 | 27.625 | 38 | 26.935 | 27.385 | 27.835 |
| 19 | 26.735 | 27.185 | 27.635 | 39 | 26.945 | 27.395 | 27.845 |
| 20 | 26.755 | 27.205 | 27.655 | 40 | 26.955 | 27.405 | 27.855 |

| | |
|---------------------------------|--|
| Automatic Gain Control | (AGC): Less than 10 dB change in audio output for inputs from 10 to 500,000 μ V. |
| Squelch | Adjustable; threshold less than 0.5 μ V. |
| Noise Blanker | RF type, effective on AM and SSB. |
| Clarifier Range | \pm 1.25 KHz. |
| Audio Output Power | 3.5 watts minimum into 8 ohms. |
| Frequency Response | SSB 400 to 4000 Hz. AM, FM 300 to 3000 Hz. |
| Distortion | Less than 10% at 3 watts output. |
| Built-in Speaker | 8 ohms, round. |
| External Speaker (Not Supplied) | 8 ohms; disables internal speaker when connected. |
| PA SYSTEM | |
| Power Output | 3.0 watts into external speaker. |
| External Speaker for PA | 8 ohms (not supplied). |

SPECIFICATIONS

PB042

GENERAL

Channels 226FM, 226AM, 226LSB, 226USB
 Frequency Range 26.065 to 28.315 MHz
 Frequency Control Phase Locked Loop(PLL) synthesized circuitry.
 Frequency Tolerance 0.005%
 Frequency Stability 0.001%
 Operating Temperature Range -20°C to +50°C
 Microphone Plug-in type; dynamic with push-to-talk switch and coiled cord.
 Input Voltage 13.8V DC nominal, 15.9V max., 11.7V min (positive or negative ground).
 Current Drain Transmit: AM/FM full mod., 3A maximum, SSB, 21 watts PEP output, 3A maximum
 Receiver: squelched; 0.5A, maximum audio output 1A.
 Cabinet Dimensions 7-7/8"(W) x 2-3/8"(H) x 9-1/16"(D)
 Weight 5 pounds
 Antenna Connector UHF, SO-239
 Meter Illuminated; indicates relative RF power output and modulation on Transmit, received signal strength.
 Indicators LED display; channel and TX/RX.

RECEIVER

Sensitivity SSB: Less than 0.15µV for 10 dB (S+N)/N at greater than ½ watt of audio output.
 AM: Less than 0.5µV for 10 dB. (S+N)/N at greater than ½ watt of audio output.
 FM: Better than 0.5µV for 20 dB (S+N)/N at greater than ½ watt of audio output.
 Selectivity AM/SSB 6 dB @4.2KHz, 60 dB @7.5KHz
 FM 6 dB @7.0KHz, 60 dB @15KHz
 Cross Modulation More than 60 dB.
 Image Rejection More than 60 dB.
 I.F. Frequency FM 1st : 10.695 MHz
 FM 2nd : 455 KHz AM/SSB: 10.695 MHz
 AM/FM and SSB RF Gain Control Adjustable for optimum signal reception.
 Automatic Gain Control (AGC): Less than 10 dB change in audio output for inputs from 10 to 500,000 µV.
 Squelch Adjustable; threshold less than 0.5 µV.
 Noise Blanker RF type, effective on AM and SSB.
 Clarifier Range FINE: ±1.25 KHz. (RX only)
 COARSE: ± 5 KHz. (RX and TX)
 Audio Output Power 3.5 watts minimum into 8 ohms.
 Frequency Response SSB 400 to 4000 Hz.
 FM 300 to 3000 Hz.
 AM 300 to 2100 Hz.
 Distortion Less than 10% at 3 watts output.
 Built-in Speaker 8 ohms, round.
 External Speaker (Not Supplied) 8 ohms; disables internal speaker when connected.
 PA SYSTEM
 Power Output 3.0 watts into external speaker.
 External Speaker for PA 8 ohms (not supplied).

TRANSMITTER

Power Output AM, 10 watts FM 10 watts
 SSB, 21 watts, P.E.P.
 Intermodulation Distortion SSB: 3rd and 5th order, more than -25 dB.
 7th and 9th order, more than -35 dB.
 SSB Carrier Suppression More than -45 dB.
 Unwanted Sideband More than -45 dB.
 Frequency Response AM and FM: 350 to 3000 Hz.
 SSB: 400 to 4000 Hz.
 Output Impedance 50 ohms, unbalanced
 SSB Filter 10.695 MHz, crystal lattice type
 6 dB @4.2 KHz
 60 dB @7 KHz

CHANNEL INFORMATION

| | ANT FREQUENCY (MHz) | | | | | | | | | |
|----|---------------------|---------|--------|---------|--------|---------|--------|---------|--------|---------|
| | A BAND | | B BAND | | C BAND | | D BAND | | E BAND | |
| | Normal | +10 kHz | Normal | +10 kHz | Normal | +10 kHz | Normal | +10 kHz | Normal | +10 kHz |
| 1 | 26.065 | 26.075 | 26.515 | 26.525 | 26.965 | 26.975 | 27.415 | 27.425 | 27.865 | 27.875 |
| 2 | 26.075 | 26.085 | 26.525 | 26.535 | 26.975 | 26.985 | 27.425 | 27.435 | 27.875 | 27.885 |
| 3 | 26.085 | 26.095 | 26.535 | 26.545 | 26.985 | 26.995 | 27.435 | 27.445 | 27.885 | 27.895 |
| | | (3A) | | | | (3A) | | | | (3A) |
| 4 | 26.105 | 26.115 | 26.555 | 26.565 | 27.005 | 27.015 | 27.455 | 27.465 | 27.905 | 27.915 |
| 5 | 26.115 | 26.125 | 26.565 | 26.575 | 27.015 | 27.025 | 27.465 | 27.475 | 27.915 | 27.925 |
| 6 | 26.125 | 26.135 | 26.575 | 26.585 | 27.025 | 27.035 | 27.475 | 27.485 | 27.925 | 27.935 |
| 7 | 26.135 | 26.145 | 26.585 | 26.595 | 27.035 | 27.045 | 27.485 | 27.495 | 27.935 | 27.945 |
| | | (7A) | | | | (7A) | | | | (7A) |
| 8 | 26.155 | 26.165 | 26.605 | 26.615 | 27.055 | 27.065 | 27.505 | 27.515 | 27.955 | 27.965 |
| 9 | 26.165 | 26.175 | 26.615 | 26.625 | 27.065 | 27.075 | 27.515 | 27.525 | 27.965 | 27.975 |
| 10 | 26.175 | 26.185 | 26.625 | 26.635 | 27.075 | 27.085 | 27.525 | 27.535 | 27.975 | 27.985 |
| 11 | 26.185 | 26.195 | 26.635 | 26.645 | 27.085 | 27.095 | 27.535 | 27.545 | 27.985 | 27.995 |
| | | (11A) | | | | (11A) | | | | (11A) |
| 12 | 26.205 | 26.215 | 26.655 | 26.665 | 27.105 | 27.115 | 27.555 | 27.565 | 28.005 | 28.015 |
| 13 | 26.215 | 26.225 | 26.665 | 26.675 | 27.115 | 27.125 | 27.565 | 27.575 | 28.015 | 28.025 |
| 14 | 26.225 | 26.235 | 26.675 | 26.685 | 27.125 | 27.135 | 27.575 | 27.585 | 28.025 | 28.035 |
| 15 | 26.235 | 26.245 | 26.685 | 26.695 | 27.135 | 27.145 | 27.585 | 27.595 | 28.035 | 28.045 |
| | | (15A) | | | | (15A) | | | | (15A) |
| 16 | 26.255 | 26.265 | 26.705 | 26.715 | 27.155 | 27.165 | 27.605 | 27.615 | 28.055 | 28.065 |
| 17 | 26.265 | 26.275 | 26.715 | 26.725 | 27.165 | 27.175 | 27.615 | 27.625 | 28.065 | 28.075 |
| 18 | 26.275 | 26.285 | 26.725 | 26.735 | 27.175 | 27.185 | 27.625 | 27.635 | 28.075 | 28.085 |
| 19 | 26.285 | 26.295 | 26.735 | 26.745 | 27.185 | 27.195 | 27.635 | 27.645 | 28.085 | 28.095 |
| | | (19A) | | | | (19A) | | | | (19A) |
| 20 | 26.305 | 26.315 | 26.755 | 26.765 | 27.205 | 27.215 | 27.655 | 27.665 | 28.105 | 28.115 |
| 21 | 26.315 | 26.325 | 26.765 | 26.775 | 27.215 | 27.225 | 27.665 | 27.675 | 28.115 | 28.125 |
| 22 | 26.325 | 26.335 | 26.775 | 26.785 | 27.225 | 27.235 | 27.675 | 27.685 | 28.125 | 28.135 |
| 23 | 26.335 | 26.345 | 26.785 | 26.795 | 27.235 | 27.245 | 27.685 | 27.695 | 28.135 | 28.145 |
| 24 | 26.345 | 26.355 | 26.795 | 26.805 | 27.245 | 27.255 | 27.695 | 27.705 | 28.145 | 28.155 |
| 25 | 26.355 | 26.365 | 26.805 | 26.815 | 27.255 | 27.265 | 27.705 | 27.715 | 28.155 | 28.165 |
| 26 | 26.365 | 26.375 | 26.815 | 26.825 | 27.265 | 27.275 | 27.715 | 27.725 | 28.165 | 28.175 |
| 27 | 26.375 | 26.385 | 26.825 | 26.835 | 27.275 | 27.285 | 27.725 | 27.735 | 28.175 | 28.185 |
| 28 | 26.385 | 26.395 | 26.835 | 26.845 | 27.285 | 27.295 | 27.735 | 27.745 | 28.185 | 28.195 |
| 29 | 26.395 | 26.405 | 26.845 | 26.855 | 27.295 | 27.305 | 27.745 | 27.755 | 28.195 | 28.205 |
| 30 | 26.405 | 26.415 | 26.855 | 26.865 | 27.305 | 27.315 | 27.755 | 27.765 | 28.205 | 28.215 |
| 31 | 26.415 | 26.425 | 26.865 | 26.875 | 27.315 | 27.325 | 27.765 | 27.775 | 28.215 | 28.225 |
| 32 | 26.425 | 26.435 | 26.875 | 26.885 | 27.325 | 27.335 | 27.775 | 27.785 | 28.225 | 28.235 |
| 33 | 26.435 | 26.445 | 26.885 | 26.895 | 27.335 | 27.345 | 27.785 | 27.795 | 28.235 | 28.245 |
| 34 | 26.445 | 26.455 | 26.895 | 26.905 | 27.345 | 27.355 | 27.795 | 27.805 | 28.245 | 28.255 |
| 35 | 26.455 | 26.465 | 26.905 | 26.915 | 27.355 | 27.365 | 27.805 | 27.815 | 28.255 | 28.265 |
| 36 | 26.465 | 26.475 | 26.915 | 26.925 | 27.365 | 27.375 | 27.815 | 27.825 | 28.265 | 28.275 |
| 37 | 26.475 | 26.485 | 26.925 | 26.935 | 27.375 | 27.385 | 27.825 | 27.835 | 28.275 | 28.285 |
| 38 | 26.485 | 26.495 | 26.935 | 26.945 | 27.385 | 27.395 | 27.835 | 27.845 | 28.285 | 28.295 |
| 39 | 26.495 | 26.505 | 26.945 | 26.955 | 27.395 | 27.405 | 27.845 | 27.855 | 28.295 | 28.305 |
| 40 | 26.505 | 26.515 | 26.955 | 26.965 | 27.405 | 27.415 | 27.855 | 27.865 | 28.305 | 28.315 |

PLL SYNTHESIZER CIRCUIT DESCRIPTION

PB010 (PB042)

The PLL circuit consists of IC5, IC6, IC7 and several transistors. IC5 combines a Reference Divider (10.24 Mhz), Binary Programmable Divider (pins 9 - 17), and a Phase Detector. A single Reference Oscillator of 15.00 Mhz (14.55 Mhz) in conjunction with IC6 and IC7 makes possible the total frequency range of the radio with no crystal switching required. Refer to the Master PLL Mixing and Programming Chart and the PLL Block Diagram on the following two pages.

Example: For Ch. 1, LOW Band, the VCO or Voltage Controlled Oscillator operates at 15.82 Mhz. This signal when mixed with the Reference Oscillator of 15.00 Mhz produces the "downmix" signal of $15.82 - 15.00 = 0.82$ Mhz which appears at Pin 2 of IC5. When the binary number "82" is set on pins 9 - 17 of IC5, the result is $0.82 \text{ Mhz} \div 82 = 10 \text{ Khz}$, the standard CB channel spacing. At the same time, the Reference Divider section of IC5 divides the 10.24 Mhz signal by 1.024 to give the result of $10.24 \text{ Mhz} \div 1.024 = 10 \text{ Khz}$. When these two signals are compared in the Phase Detector section of IC5, the result is no phase difference, and the VCO (TR26 or TR21 as appropriate) is not forced to shift frequency. This results in the locked loop condition. If the two signals were not exactly the same, there would be a small voltage difference which would be applied to the VCO, driving it up or down in frequency until lock occurs. The MC145106 PLL device uses a "negative going" Phase Detector; i.e., the lower its input downmix frequency, the higher its DC output to the VCO and vice versa.

The VCO signal in the 15-17 Mhz range mixes with the incoming 27 Mhz signal to produce the First IF of 10.695 Mhz. In addition a sample of the 10.24 Mhz Reference Divider signal mixes with the first IF to produce the second IF of 455 Khz. In the TX mode, the VCO mixes with the 10.695 Mhz Carrier Oscillator signal to produce the direct 27 Mhz on-channel frequency.

In order to broadband the VCO to operate over a range of 2 Mhz, extra capacitance is switched into its circuits as required. In the PB010 chassis, an extra 8 pF is shunted across VCO inductor L18 in the LOW and MID band positions and removed in the HIGH band position. This eliminates having to retune L18. In the PB042 chassis varactors D26 - D29 are used for the same purpose.

For FM transmission, a small sample of the TX audio signal is used to vary the DC control voltage of the VCO a small amount, and at an audio rate to produce FM.

IC6 and IC7 are used to preset the binary programming of IC5 by a fixed amount. A diode matrix, different for each band, is switched in and when added to the binary number of the Channel Selector switch produces the required N-Code. IC6 and IC7 are wired in series so that each succeeding pin has more binary weight. In the PB042 chassis, the "+10 Khz" button makes IC6 Pin 9 HIGH, which is the CARRY IN (CI) pin thus adding one extra bit. Since each bit represents 10 Khz, the result is a 10 Khz frequency shift of the radio.

PC999: This circuit is virtually identical to the above except that IC5 (MB8719) only has 6 binary program lines (pins 11-16) plus a preset line (pin 10) which adds either 64 (pin 10 logic HIGH) or 128 (pin 10 logic LOW) to the binary sum present on pins 11-16. Since there are fewer possible binary numbers, it is necessary to switch in another Reference Oscillator crystal. This is the reason the Chart shows the same VCO, N-Code, and Downmix for the LOW and MID bands. Otherwise, operation is identical to the above chassis.

Details of the CD4008 presettable adders are shown on the following pages.

The Channel Selector switch used in all Uniden radios produces the binary numbers 15 (Ch.1) to 59 (Ch.40).

For a more complete description of PLL theory, see THE CB PLL DATA BOOK

MASTER PLL MIXING AND PROGRAMMING CHART

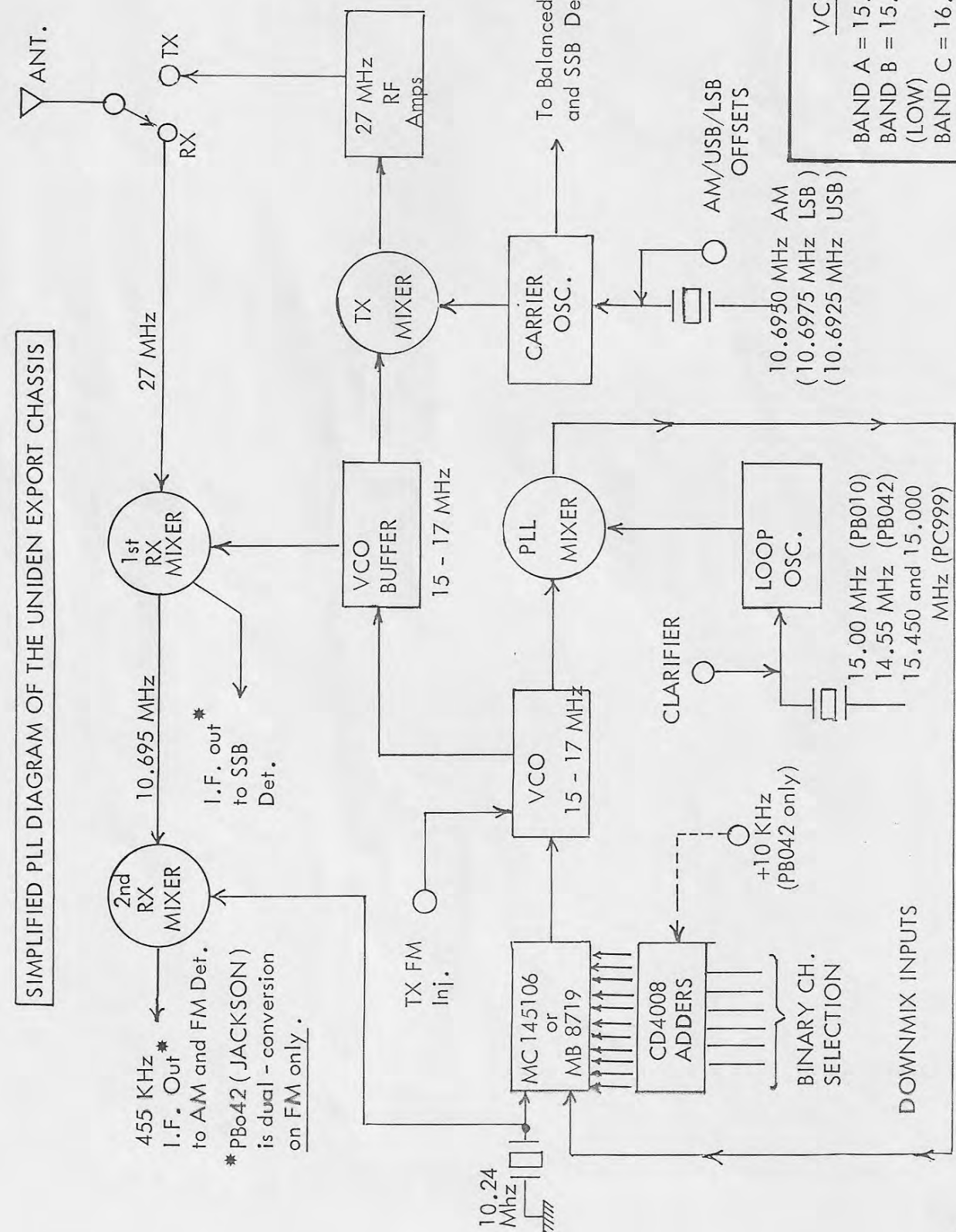
| | PB010 Ref= 15.000 MHz | | | PB042 Ref= 14.55 MHz | | | PC999 Ref = 15.00 Mhz LOW; Ref = 15.45 Mhz MID and HIGH | | |
|---|--------------------------|----------------------------|----------------------|--------------------------|----------------------------|----------------------|---|----------------------------|----------------------|
| | RX/TX VCO (MHz) | DOWNMIX INPUT | BINARY N-Code | RX/TX VCO (MHz) | DOWNMIX INPUT | BINARY N-Code | RX/TX VCO (MHz) | DOWNMIX INPUT | BINARY N-Code |
| BAND A Ch.1 . . Ch.40 | | | | 15.37 . . 15.81 | 0.82 MHz . . 1.26 | 82 . . 126 | | | |
| BAND B (LOW) Ch.1 . . Ch.40 | 15.82 . . 16.26 | 0.82 MHz . . 1.26 | 82 . . 126 | 15.82 . . 16.26 | 1.27 . . 1.71 | 127 . . 171 | 15.82 . . 16.26 | 0.82 MHz . . 1.26 | 82 . . 126 |
| BAND C (MID) Ch.1 . . Ch.40 | 16.27 . . 16.71 | 1.27 . . 1.71 | 127 . . 171 | 16.27 . . 16.71 | 1.72 . . 2.16 | 172 . . 216 | 16.27 . . 16.71 | 0.82 . . 1.26 | 82 . . 126 |
| BAND D (HIGH) Ch.1 . . Ch.40 | 16.72 . . 17.16 | 1.72 . . 2.16 | 172 . . 216 | 16.72 . . 17.16 | 2.17 . . 2.61 | 217 . . 261 | 16.72 . . 17.16 | 1.27 . . 1.71 | 127 . . 171 |
| BAND E Ch.1 . . Ch.40 | | | | 17.17 . . 17.61 | 2.62 . . 3.06 | 262 . . 306 | | | |

NOTES: 1. USB VCO frequency is 2.5 KHz higher; LSB is 2.5 KHz lower.

2. Downmix input is the frequency appearing at Pin 2, MC145106 or Pin 17, MB8719.

3. For PB010, Pin 9 (256's bit) not required and is grounded. Used in PB042 only.

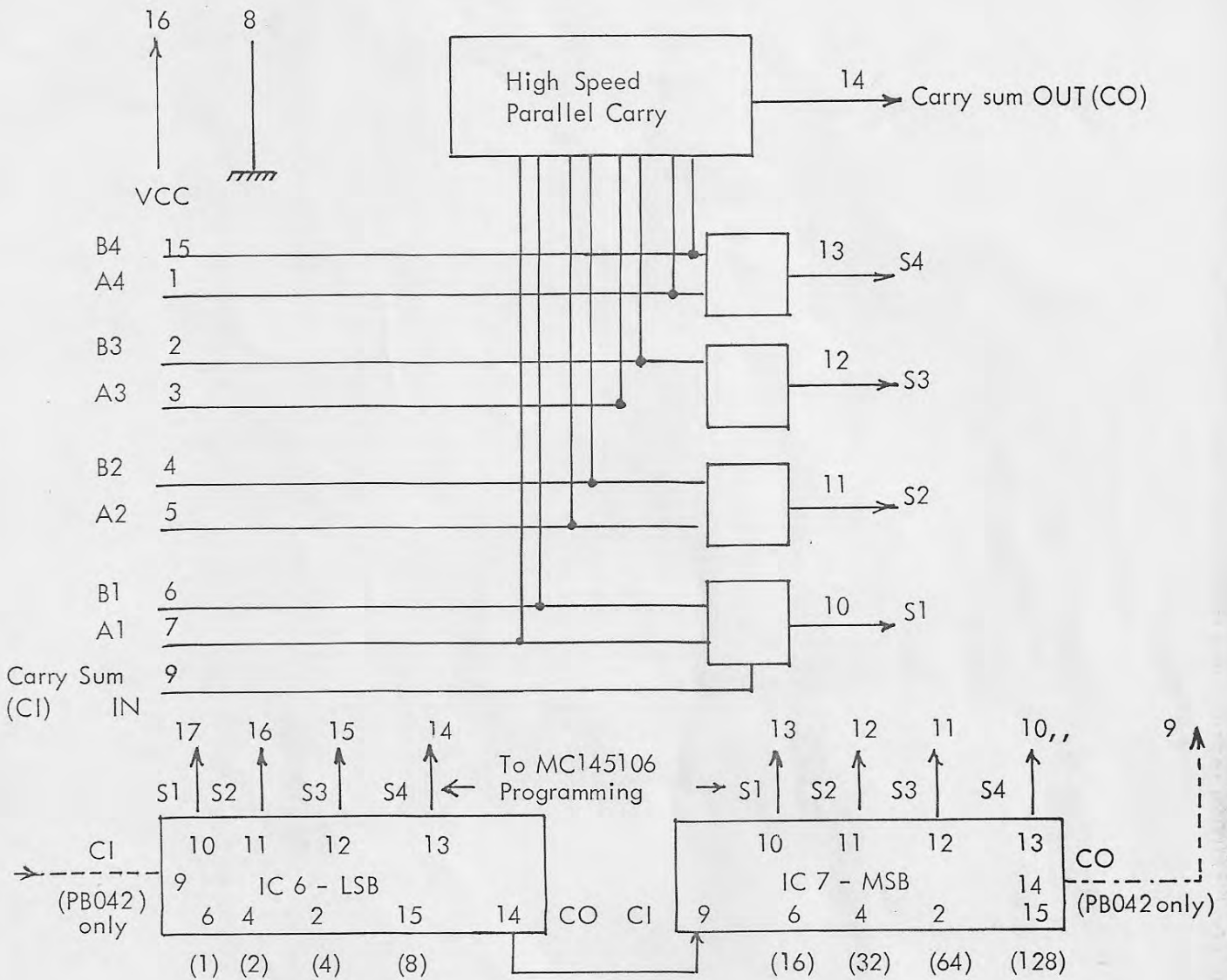
SIMPLIFIED PLL DIAGRAM OF THE UNIDEN EXPORT CHASSIS



| VCO FREQUENCIES (MHz) | |
|-------------------------|---|
| BAND A | = 15.37 (Ch.1) to 15.81 (Ch.40) |
| BAND B | = 15.82 (CH.1) to 16.26 (Ch.40) (LOW) |
| BAND C | = 16.27 (Ch.1) to 16.71 (Ch.40) (MID) |
| BAND D | = 16.72 (Ch.1) to 17.16 (Ch.40) (HIGH) |
| BAND E | = 17.17 (Ch.1) to 17.61 (Ch.40) |

Downmix inputs (at Pin 2 of MC145106 or Pin 17 of MB8719) = VCO Freq. - Loop Osc. Freq. Example: Ch.1, MID (FCC) Band of PB010 chassis is 16.27 MHz - 15.00 MHz = 1.27 MHz. Binary N - Code is 127 here for 10 KHz channel spacing.

The CD4008 CMOS 4 - Bit Full Adder - Internal Description



A1 to A4 are determined by setting of Channel Selector (binary 15 to 59); B1 to B4 are binary numbers which are generated by the setting of the BAND Switch and when added to the Channel Selector binary numbers give logic "1" or "0" outputs at S1 to S4, which are in turn applied to the binary programming of the PLL pins.

The above example shows hookup to the PB010 and PB042 chassis. For the PC999 (GRANT) the principle is identical except that fewer program control lines are required with the MB8719's capabilities. TR28 in this chassis is a switch that will make Pin 10 of the MB8719 go HIGH or LOW as required to preset the extra N - Codes of either 64 + N or 128 + N. (See PLL DESCRIPTION)

CD4008 PRESET ADDER TRUTH CHART

0 = 0.0 VDC;
1 = approx. 8.40 VDC

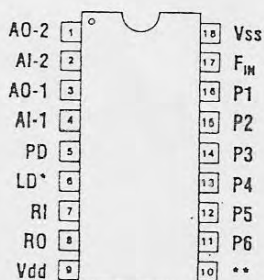
PB042

| | IC6 (LSB) | | | | IC7 (MSB) | | | |
|---------------------|---------------|-----|-----|-----|---------------|------|------|-------|
| | Binary Weight | | | | Binary Weight | | | |
| | (1) | (2) | (4) | (8) | (16) | (32) | (64) | (128) |
| | IC Pin # | | | | IC Pin # | | | |
| <i>Pin#</i> | 6 | 4 | 2 | 15 | 6 | 4 | 2 | 15 |
| BAND A (67 + N) | 1 | 1 | 0 | 0 | 0 | 0 | 1 | 0 |
| BAND B (112 + N) | 0 | 0 | 0 | 0 | 1 | 1 | 1 | 0 |
| BAND C (157 + N) | 1 | 0 | 1 | 1 | 1 | 0 | 0 | 1 |
| BAND D (202 + N) | 0 | 1 | 0 | 1 | 0 | 0 | 1 | 1 |
| BAND E (247 + N) | 1 | 1 | 1 | 0 | 1 | 1 | 1 | 1 |

NOTE: For PB010 chassis, Reference Crystal is shifted up 450 KHz to 15.00 MHz.
Thus, LOW = 67 + N, MID = 112 + N, HIGH = 157 + N of Ch.Selector switch.

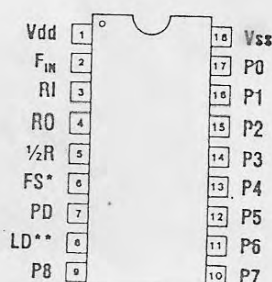
| | IC9 (LSB) | | | | IC8 (MSB) | | | |
|---------------------|---------------|-----|-----|-----|---------------|------|------|-------|
| | Binary Weight | | | | Binary Weight | | | |
| | (1) | (2) | (4) | (8) | (16) | (32) | (64) | (128) |
| | IC Pin # | | | | IC Pin # | | | |
| | 6 | 4 | 2 | 15 | 6 | 4 | 2 | 15 |
| LOW BAND 3 + N | 1 | 1 | 0 | 0 | 0 | 0 | 0 | 0 |
| MID BAND 3 + N | 1 | 1 | 0 | 0 | 0 | 0 | 0 | 0 |
| HIGH BAND 48 + N | 0 | 0 | 0 | 0 | 1 | 1 | 0 | 0 |

MB8719



*1 = Locked, 0 = Unlocked
**N-Code Select:
1 = 64 + N
0 = 128 + N

MC145106



*1 = 10 KHz steps, 0 = 5 KHz steps
**1 = Locked, 0 = Unlocked

ABBREVIATED CIRCUIT DESCRIPTION

The PB010 chassis is the basis for this description but the other UNIDEN chassis are almost identical. The competent technician can simply compare schematics of all three chassis. Also refer to P.15 Block Diagram.

I. LOCAL OSCILLATOR & CARRIER OSCILLATOR:

TR30 is the Carrier Oscillator which generates the 10.695 MHz carrier signal via X4. On USB D66 switches in L38, allowing the USB offset shift to 10.6925 MHz. On LSB D67 switches in L39, allowing the LSB offset shift to 10.6975 MHz. On AM/FM, D65 switches in L37, allowing the 10.6950 MHz center carrier frequency. The offsets are required for cost effectiveness; a single narrow crystal filter can therefore be used for both USB and LSB rather than using two separate filters for each mode.

RECEIVER DESCRIPTIONII. RF STAGE:

The signal from the antenna is fed to TR17, the 27 MHz RF amp. Diodes D17 & D18 protect TR17 from extremely strong input signals, and are also used as an RF attenuator for SSB AGC. The signal passes to TR18, the First Mixer; it mixes with the VCO signal from the PLL circuit of approximately 16 MHz. The result is an IF of 10.695 MHz, \pm the SSB offsets.

III. IF STAGE:

The 10.695 MHz IF goes to filter FL3 for SSB/CW, and to filter FL2 for AM/FM modes. The filters have different skirt responses, with the narrower filter for SSB/CW use.

SSB: FL3 removes the undesired sideband on both RX and TX modes, and also provides the main RX selectivity. For CW, the circuit is identical to the LSB mode; i.e., the USB signal is removed by the filter. The signal passes through TR19, TR20, TR21, and TR22, the IF amplifiers. TR15 is a 'product detector' for SSB, and the first AF amp for AM. The SSB signal mixes in TR15 with the proper carrier frequency from TR30; the difference is a signal in the audio frequency range which can then be amplified. CW reception is similar in that the Carrier Oscillator now acts as a BFO to produce the CW tone in the speaker.

AM/FM: the 10.695 MHz signal passes to TR8, the Second Mixer. It mixes with a sample of the 10.24 MHz PLL signal to produce the second IF of 10.695 MHz - 10.240 MHz = 455 KHz. The 455 KHz signal is amplified by TR9, TR10, and TR11. For AM, it is then detected by D11 & D12 and passed to the audio amps. For FM, it is detected in IC2, the FM Detector. This IC has tremendous signal gain, about 80dB, which accounts for the large difference in speaker volume when switching between AM & FM modes.

NOTE: The PB042 chassis (JACKSON) is dual-conversion for FM only and single-conversion for AM/SSB. This accounts for the slightly different RX path and filtering shown on the PB042 schematic.

IV. AUDIO STAGE:

Demodulated audio (all modes) passes from TR15, through the VOLUME CONTROL to TR42, the AF preamp. It then goes to IC8, the audio power amp, and then to the speaker. C42 may be switched in or out to change the audio tone; it is LO with C42 in the circuit. (PB010 chassis only.)

V. SSB AGC:

IC1 is a quad op-amp. One section is the AGC buffer and another section is an AGC amp. A sample of the IF signal is sampled, converted to DC by D8, and used to control the gain of TR19, TR8, and RF attenuator D17/D18. TR12 sets the AGC attack time via R51/C33, and the decay time via R48.

VI. SQUELCH:

Another section of IC1 is a squelch amp. A sample of the received signal is amplified here and sent to TR16. As the signal at the Base of TR16 increases, it turns on harder and harder until it completely turns off TR42, silencing the speaker. Since the RX sensitivity specs are different for SSB/CW and AM/FM modes, different trimmers VR3 & VR4 are used to set the overall squelch range (PB010, PC999 only). This is also the reason different trimmers VR1 & VR2 are used for S-Meter calibration (PB010, PC999 only).

VII. CLARIFIER:

The clarifier allows fine-tuning of X2 (PLL Loop Oscillator) by changing the DC bias voltage across varactor D40. The higher the voltage, the less the capacitance and therefore the higher the frequency. Separate voltage sources are used for the COARSE & FINE controls (PB010, PB042 only). The COARSE source is constant for both RX & TX modes: the FINE source is present during RX mode only. D84 & D85 route the voltages to the

appropriate controls. Thus the COARSE may shift frequency in both RX & TX modes, and the FINE only in the RX mode. The FINE & COARSE controls are wired in series with the FINE being only a small fraction of the total resistance used and therefore will not affect the TX frequency. VR6 is also wired across the varactor circuit and is adjusted such that the RX & TX SSB signals track together. The CLARIFIER control(s) allow precise tuning of the SSB voice signal, or adjustment of the CW pitch by the operator.

VIII. ANL:

A sample of the received AM signal is rectified to DC by D26 & D27 and used to forward-bias D28 such that it will normally pass the audio signal. When a noise spike occurs, it will reverse-bias, reducing the gain of audio preamp TR15 to a less annoying volume. When the ANL is not switched IN, the audio signal is shorted around D28.

IX. NOISE BLANKER:

A sample of the 10.695 MHz IF from L12 is amplified by TR1, TR2, TR3, and detected by D1 & D2. The detected signal feeds the sensor, TR5, which can discriminate pulse type noise from normal signals. The noise pulses are amplified by TR6 which turns on TR7, shunting the normal IF path to ground for the duration of the noise pulse. TR4 provides AGC voltage to disable NB action in the presence of very strong normal signals.

X. TX/RX CONTROL:

The regulated TX/RX voltages come from TR36, TR37, and TR38. When the mike (or CW key) is pressed, the Collector of TR38 goes up to B+ (about 8.0 VDC), supplying the required TX-only voltages. In the RX mode, the Collector of TR36 goes up to B+, supplying the RX-only voltages.

TRANSMITTER DESCRIPTION

I. AM:

The audio mike signal feeds through the MIKE GAIN control to IC4, a quad op-amp. The output from IC4 Pin 1 goes to TR49, TR50, & TR51, the modulators. The audio is amplified and fed to the RF Driver & Final Collectors along with the carrier signal.

The signal from the PLL's VCO (approx. 16 MHz) is fed to one input of the TX Mixer, IC9. The 10.695 MHz carrier signal is fed to the other input: the result is the 27 MHz carrier signal which is amplified by TR47, TR46, TR45, TR44 and delivered to the ANT. socket.

NOTE: The PC999 chassis (GRANT) uses two finals (TR41 & TR42) in parallel to produce double the normal RF power output. Both are identical amplifier circuits driven from a single Driver, TR43. The PB042 chassis (JACKSON) uses a high-gain MRF477 Final amp to also produce double the normal RF power output.

II. FM:

The 27 MHz carrier is produced in exactly the same way as described above for AM. However on FM, TR54 turns on to short the audio output of IC4 before it can reach the TR49-TR51 audio chain. Instead, audio from IC4 Pin 1 feeds through D35, D34, & VR5 to the VCO control point. This is the same point driven by the Phase Detector/Loop Filter of the PLL which causes the channels to change. However the level of voltage coming from IC4 is much smaller and therefore the frequency shift is much smaller. This shift is ± 2.5 KHz from center frequency (5 KHz total deviation) and since the voltage from IC4 changes at an audio rate, the result is FM transmission.

The carrier power level is controlled by VR13 (AM PWR) for both AM and FM. VR13 sets the bias on TR49. TR49, TR50, and TR51 form a voltage regulation circuit in addition to amplifying AM audio. The voltage is adjustable from 0 to about 8.40 VDC. Normal AM/FM operation is about 5.60 VDC. IMPORTANT: It is possible to turn VR13 to maximum carrier power on FM but doing so will make it impossible to fully modulate the carrier on AM. See TRANSMITTER ALIGNMENT PROCEDURE, Step # 5.

III. SSB:

The audio output from IC4 Pin 1 goes to IC3, the Balanced Modulator. A second input of IC3 receives the TR30 Carrier Oscillator signal of either 10.6925 MHz (USB) or 10.6975 MHz (LSB). The carrier is balanced out, leaving a double-sideband, suppressed carrier signal. VR7 allows complete null of the carrier. The output of IC3 goes through D21 to FL3, a very narrow crystal lattice type filter. The undesired sideband is removed by FL3. The resulting output at D19 is Carrier + Audio for USB, or Carrier - Audio for LSB. Since the audio modulating frequencies for voice communications are limited to a range of 0-2.5 KHz, this is the reason why the VCO must be offset ± 2.5 KHz in the appropriate SSB mode. However the Carrier Oscillator is offset in exactly the opposite direction as appropriate such that the offsets cancel each other out to generate the exact on-channel 27 MHz frequency. (Example: USB VCO of 16.4925 MHz + USB Carrier Oscillator of 10.6925 MHz = exactly 27.1850 MHz, Ch. 19.)

The output from FL3/D19 goes to TX Mixer IC9. It mixes here with the 16 MHz VCO from the PLL circuit to produce the 27 MHz carrier signal. This signal is then amplified by TR47, TR46, TR45, TR44 and delivered to the ANT. socket.

RF amplifier biasing is different for AM/FM/CW and SSB; AM/FM/CW is Class C, and SSB is Class AB (linear). The bias is changed by TR52, which in the SSB mode disables the Collector B+ regulation of TR49-TR51 and allows the full 13.8 VDC to be applied to the TR45 & TR44 Collectors insetad.

In all modes, a small sample of the 27 MHz signal is detected by D101 & D102 and used to drive the S/RF meter for a relative RF power output indication. VR8 allows calibration of the output reading.

IV. CW (PB010 only):

CW transmission is basically identical to AM transmission; i.e., the carrier is turned on and off by a CW key rather than the microphone button. The only real difference is that on CW, TR55 turns off when the key is pressed, which turns on D75 & TR31, grounding the mike audio so it cannot modulate the carrier. TR35 is an audio oscillator. When the CW key is pressed, it oscillates. At the same time, TR39 disconnects the normal RX speaker audio so it won't be heard; instead the CW monitor tone is heard. D82 disables the Roger Beep oscillator so it also will not be heard on the air. The time constant produced by C219/R284 of switch TR55 provides a small delay before the radio returns to the RX mode so that annoying speaker noise and thumping will not be heard between Morse characters.

V. AMC CIRCUIT:

TR53 is the AMC Detector which samples modulated AM audio from TR51. When overmodulation occurs it turns on to drive TR34, which in turn drives TR32. TR32 is shunted directly across the mike input line. The harder it turns on, the more the audio modulating signal is reduced. VR14 allows setting the 100% modulation limit. The AMC functions only in the AM mode.

VI. ALC CIRCUIT:

TR48 is the ALC sensor which detects peak RF power on SSB modes. If the power exceeds the level determined by VR12, it drives TR34 and TR32 to reduce the mike audio level and consequently the RF power level. In the AM mode, the TR48 Emitter voltage is pulled up to B+, making it inoperative.

VII. UNLOCK DETECTOR:

Pin 8 of the MC145106 (or Pin 6 of the MB8719) is normally at logic high level, about 8 VDC. If the PLL circuit becomes unlocked, this pin goes LOW (about 0.0 VDC), switching appropriate diodes and transistors which disable the TX and RX circuits, preventing off-frequency operation.

VIII. ROGER BEEP OSCILLATOR:

TR33 is an audio oscillator. It is powered by the TX-only 8 VDC source, TR38. Pressing the mike button turns on D92, grounding the TR33 audio before it would normally pass through R217 to the mike amp. D91 also turns on, activating a timing delay circuit consisting of C270, R206, and one section of IC4. When the mike button is released, the timing circuit keeps the Collector of TR38 at B+ and therefore in the TX mode for a short time longer than normal. Since releasing the mike button simultaneously turns D92 off, the tone burst from TR33 can pass to the mike amp and be heard on the air.

IX. PUBLIC ADDRESS (PB042, PC999 only):

A signal from the mike amp IC4 goes to TR30 (PB042), the PA preamp. The signal is fed to the audio power amp IC501 and then to the PA SP jack.

X. MODULATION METERING (PB042, PC999 only):

A sample of the audio modulation goes to DC amp TR29 (PB042), is rectified by D62 & D63, and used to drive the modulation metering circuit. VR3 allows meter calibration. In the PC999 chassis, an RF signal sample is used instead from TP9. The sample is rectified by D74 and used to drive the metering circuit.

XI. SWR METERING (PB010 only):

The small circuit board, PC958 is actually a microstrip section of 50-ohm transmission line. R601 & R602 form a resistance bridge which is perfectly balanced whenever a 50-ohm load is connected to the ANT. socket. Similarly, C602 & C601 form a capacitive voltage divider which produces equal RF voltages whenever a 50-ohm load is connected to the ANT. socket. With a pure 50-ohm load, the RF currents and voltages in the bridge are exactly equal but of the opposite phase, thus canceling each other out and producing no SWR meter reading. (1:1 SWR match.) D601 samples the Forward RF power and D602 the Reflected RF power. D601 also allows full-scale forward power meter calibration. As the ANT. socket load becomes more and more reactive, the bridge becomes unbalanced and a difference voltage is produced in proportion to the unbalance; this voltage drives the SWR meter and indicates the relative degree of unbalance or 'mismatch'.

=====

SERVICE NOTES, MODIFICATIONS & IMPROVEMENTS

I. SSB AGC IMPROVEMENT IN JACKSON (PB042):

The time constants were changed for some reason from all previous Uniden chassis. The result is that very strong received SSB signals may grossly distort the audio quality. The following will cure the problem.

1. Remove C31 (.47uF) completely.
2. Change R43 (10K) to 1K; change R41 (150K) to 270K; change R47 (1.5K) to 3.9K. These parts are all found along the rear (ANT. end) pins of the 2902 IC chip.

II. CLARIFIER UNLOCK & FREQUENCY EXPANSION FOR GRANT (PC999):

1. CLARIFIER: Lift the GRAY & BLUE clarifier wires from where they enter the main PC board. Connect the BLUE to the unused hole at the right of the empty 'R120' location. (Front edge of PCB, next to the coils and crystals). Install a 470 ohm, 1/4-watt resistor at 'R120'. Connect the GRAY wire to a constant DC voltage source: there are 2 unused circuit holes in the PC trace leading to the Collector of TR39 voltage regulator that can be used for this purpose.
2. Replace D79 with a bare jumper wire. Remove D45.

This will allow TX/RX clarifier slide about ± 2 KHz from center knob position. If more slide is desired, replace varactors D40 (LOW band) & D44 (MID & HIGH bands) with the Maxitune type, or add some series inductance to the (+) or unbanded ends of the existing varactors, such as 4.7uH. NOTE: If inductance is added, there will be more down-slide than up-slide, and it will probably be necessary to retune all the VCO off-set adjustments (L22, L23, L24 LOW band, L25, L26, L27 MID & HIGH bands) to regain center knob position.

3. FREQUENCIES: Install a 1K, 1/4-watt resistor in the empty hole located in the same PC trace going to Pin 10 of the MB8719 PLL chip. Notice that there is a set (3) of unused terminals on the S/RF-MOD pushbutton. Connect a wire from the center terminal to the loose end of the 1K resistor just installed. Ground the terminal furthest away from the front panel with a wire. There is a ground available right on the pushbutton PC board, 3rd edge terminal from your left if front of radio is facing you. (Has BLACK wire on this terminal).

With the S/RF-MOD pushbutton out, frequencies will be normal. With the pushbutton in and the BAND selector at MID band, frequencies will be 27.605 MHz (Ch.1) to 28.045 MHz (Ch. 40). You may need to touch up the tuning of VCO coil L18 slightly to regain lock at the 28.045 position.

III. DOUBLING THE RF POWER OUTPUT IN THE COBRA 148GTL-DX/SUPERSTAR 360FM (PB010):

This chassis already has all the PC traces and holes available for a parallel set of finals, just exactly like the GRANT (PC999) uses. This will allow twice the RF power output, provided adequate heatsinking is used to prevent transistor damage. Compare PB010 & PC999 schematics for the following steps. Notice that the holes, notches, & silkscreen markings already exist in the area between TR45 & TR44.

1. Add a bare jumper wire at 'JP17'. Add a 100-ohm trimmer pot at VR9. (If not available, you can probably use a 1K, such as Radio Shack 271-33 which will match the hole spacing.) Add a .01uF disc capacitor on the right-hand side of the trimmer just installed. There is no silkscreen marking but the holes are there and one goes to ground, the other to the VR9 hot side. Compare with VR10/C272 already in PC board. Add a 47-ohm 1/4 watt resistor at 'R261'. Add a 150-ohm, 1/2 watt resistor at 'R262'. Slip a ferrite bead, such as Amidon FB73-101 or Radio Shack 273-098 on to one lead of a 1-ohm (BROWN-BLACK-GOLD) 1/4 watt resistor. The resistor will be 'R259' and the bead will be 'L46', just like the R263/L47 combination already present for the existing final transistor. Mount this combination vertically in the 'L46/R259' holes. Add a 560pF disc capacitor at 'C197' and a 470pF disc capacitor at 'C198'. Get an MVLV thermistor from COBRA or UNIDEN (see below). Bolt it to the new final transistor and connect between ground and the FB end of R259. NOTE: With adequate heatsinking the thermistor really is not needed since the frame will never get hot enough anyway. (The thermistors are included to heat-track the power transistors; as the transistor heats up, the thermistor, which is actually the bias diode, conducts harder and produces more bias to reduce the current drain of the transistor.) An ordinary silicon rectifier diode of the 1N4000 series type can be used in place of the thermistor. Put it on the solder side of the PC board with banded (-) end to ground, and unbanded (+) end to the foil trace containing ends of VR9/R261/R262/L46. Bolt on the extra power final transistor. The 2SC2312 is preferred but difficult to find. The 2SC1969 currently used in the stock Uniden/Cobra radios has practically the same specs. However, if you use this, you should replace TR44 with another 2SC1969 to maintain balanced RF currents. Mounting hardware such as the greaseless insulators, nylon collar washers nuts & bolts are now sold at Radio Shack, # 276-1366, 276-1373. Finally, bolt on some heatsink material. The black finned material that is flat on one side is preferred. However in a pinch you may be able to just bolt on a heavy gauge piece of aluminum plate, about 1 1/2" x 4" should work if thick enough to draw the heat away from the transistors. Test the heatsink by briefly transmitting and touching the heatsink area until you are sure it stays cool. BIAS ADJUSTMENT: Adjust VR9 & VR10 for equal biases of 50ma. in the USB mode, no modulation. The method is described elsewhere in this book for the PC999 TX Procedure. Readjust VR1 & VR2 for proper S-Meter readings since this modification will peg the needle hard!

014f = 103

IV. DISCONNECTION OF ROGER BEEP IN COBRA 148GTL-DX/SUPERSTAR 360FM (PB010):

Many operators wish to disable the ROGER BEEP function, or at least make it switchable as in the other two export models. This can be done very easily. There is an ORANGE wire running into a holed marked 'PEEP' on the main chassis PCB. (Right behind the S-Meter). Simply remove this wire and the ROGER BEEP will be turned off. If you wish you can put the ORANGE wire in series with a SPST switch to turn it on or off as desired.

V. 10 KHZ UP-SHIFT FOR THE PB010 & PC999 CHASSIS:

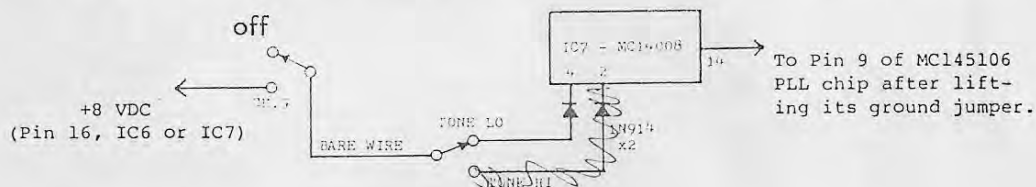
The modification is identical to the stock wiring on the PB042 (JACKSON) chassis for this function. Pin 9 of IC6 (PB010) and Pin 9 of IC9 (PC999) are normally tied to ground, logic LOW. Simply break the ground connection and run Pin 9 through a SPST switch instead. Connect the center common of the switch to Pin 9 through a 1K resistor. Connect the end switch terminals to ground and the 8 VDC IC power which is Pin(s) 16. EXPLANATION: Pin 9 is the CARRY IN input from adder IC6 or IC9 respectively. Changing its logic state adds one more bit to the binary PLL channel programming. Since each binary bit represents 10 KHz, one extra bit means 10 KHz extra. This can be used to get all the normal skips missing from the Channel Selector.

VI. FREQUENCY EXPANSION FOR THE COBRA 148GTL-DX/SUPERSTAR 360FM (PB010):

This chassis is basically identical to the PB042 chassis; it just wasn't fully expanded but can be done, as shown next.

1. Clip off the YELLOW, WHITE & PINK wires from the CH.9 panel switch. Reconnect WHITE & PINK together for normal LED channel display. Cut off the GRAY wire from the HI/LO TONE panel switch. The radio will always be in the HI TONE mode which sounds better anyway. Remove the grounding jumper at Pin 9 of the MC145106 PLL chip. Connect a small bare wire between the center terminals of the now-free poles of the CH.9 & TONE switches. Add the two 1N914 diodes and additional switch wiring as shown below.

The extra frequencies will now appear in the Ch.12-40 positions of the CHANNEL SELECTOR with the BAND selector in the HIGH band position. (The first 11 channels are repeats of existing channels.) The 'CH9' position activates the expansion. In the LO TONE position you will get 27.875 MHz (Ch.12) to 28.175 MHz (Ch.40) and in the HI TONE position you will get 28.195 MHz (Ch.12) to 28.495 MHz (Ch.40). There are only a few skips and the exact frequencies are shown in the expanded Channel Chart/Spec page of the PB010 chassis which appears earlier in this book. There is no retuning needed and the RF power output and receiver sensitivity are practically unchanged at the high end as is. To get even fancier, by pulling IC7 pins 4 & 2 HIGH at the same time, you will get coverage up to 28.705 MHz of the 10M Amateur Band. (This would obviously require a 3-position switch which means drilling holes in the radio, etc. rather than the clean appearance achieved by using the existing panel toggle switches).



WHERE TO FIND REPAIR PARTS

Almost all parts used in the export models are also used in the stock U.S. models, such as the Cobra 140/142GTL chassis, Cobra 148/2000GTL chassis, and equivalent in Uniden/President or other brands. You can compare schematics so you know what to order. There is only one catch: The tuning transformers used in the export versions generally have a much lower 'Q' which is what makes them broadbanded enough to cover the expanded frequency range. However a few are identical. If a tuning transformer burns open you may be forced to substitute the stock part which could possibly narrow the frequency range of the radio.

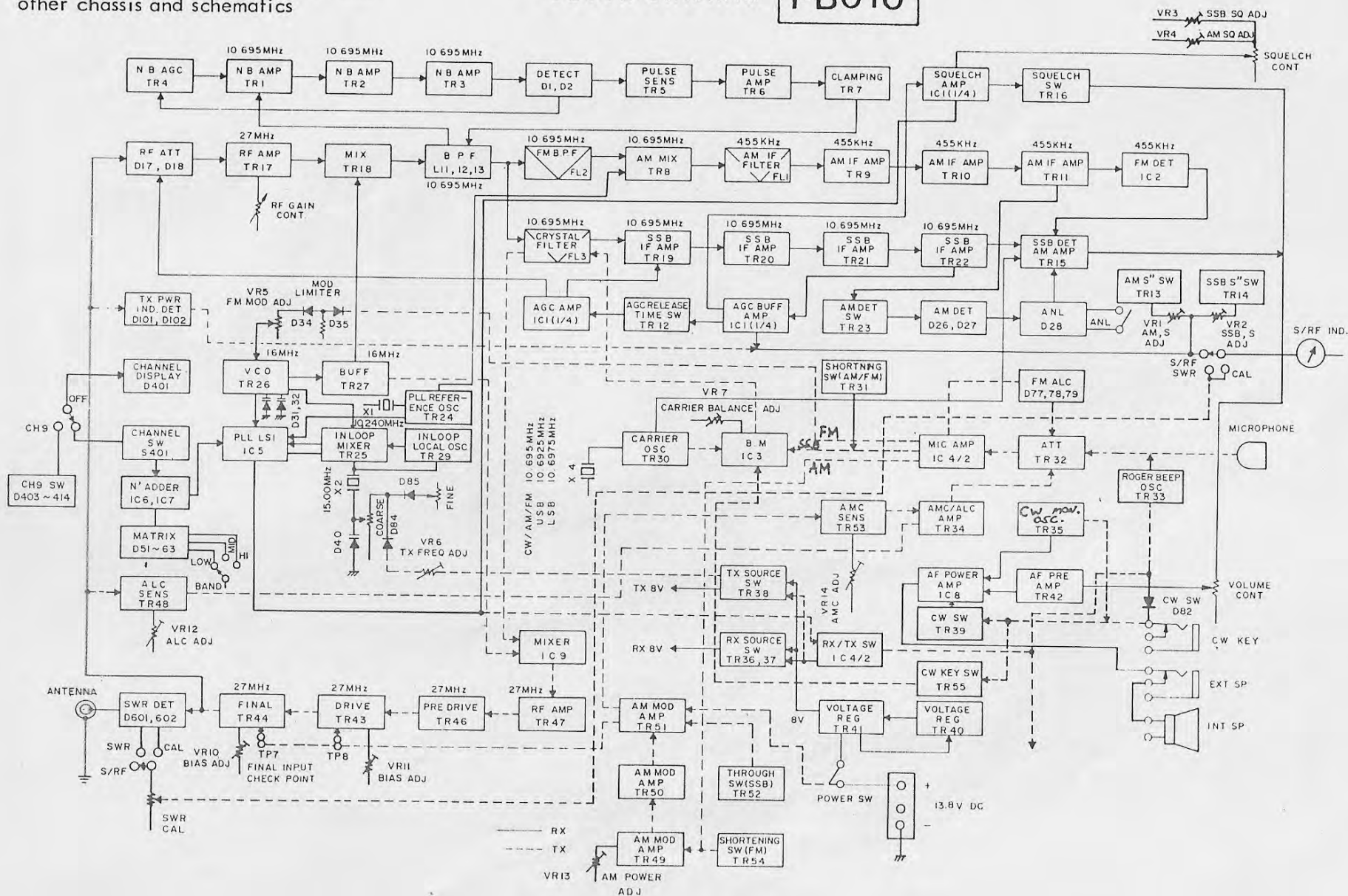
OTHER UNIDEN CB CHASSIS - APPLICATIONS

The information in this book can be applied to many other Uniden CB radios since all the current production units are basically the same. Examples are:

1. Stalker 9-FDX, President McKinley export (PC893). This uses the MB8719 and is an 80-channel transceiver using a single Loop Oscillator crystal in the 15 MHz range. It is AM/FM/SSB and some versions also have the British CB band which is switched in by another crystal on a separate sub-PC board.
2. Cobra 146GTL, President AR-144/AX-144, Midland 6001/7000 (new version), Realistic TRC451, Sears 663.3810, Uniden PC-244. This is basically identical except for the lack of FM, and the PLL circuit which uses a uPD2824 ROM chip. This chassis Service Manual is available from Cobra, Uniden, or Radio Shack if interested. (PC833, PC965)

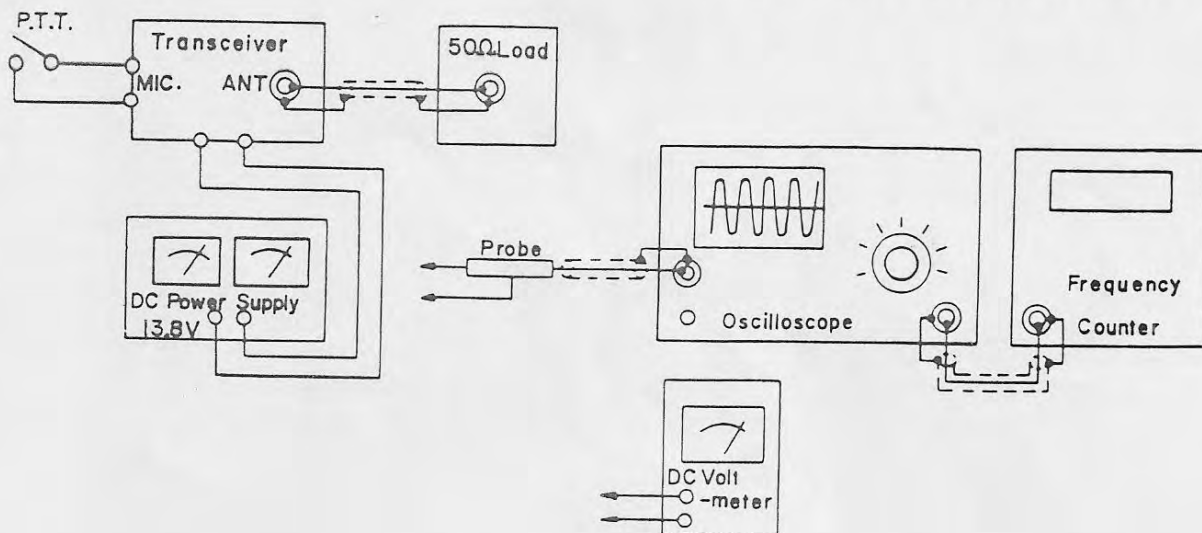
No other Block Diagrams available.
 All chassis basically identical and
 this diagram can be compared to the
 other chassis and schematics

BLOCK DIAGRAM **PB010**

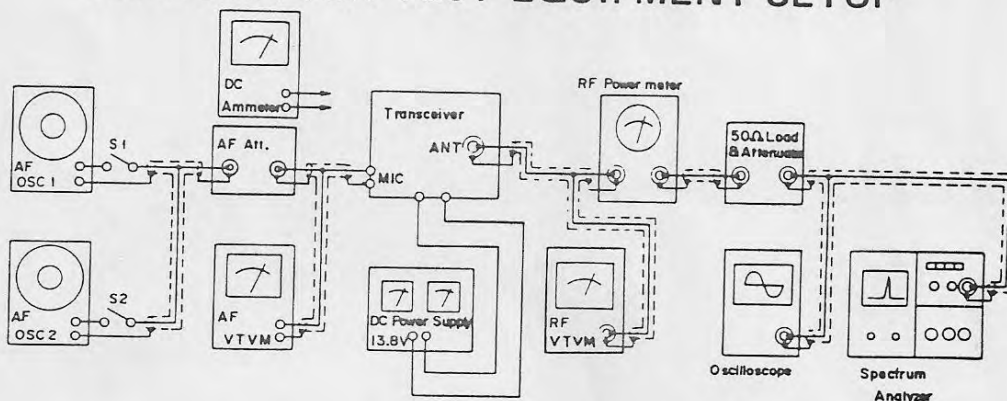


260771

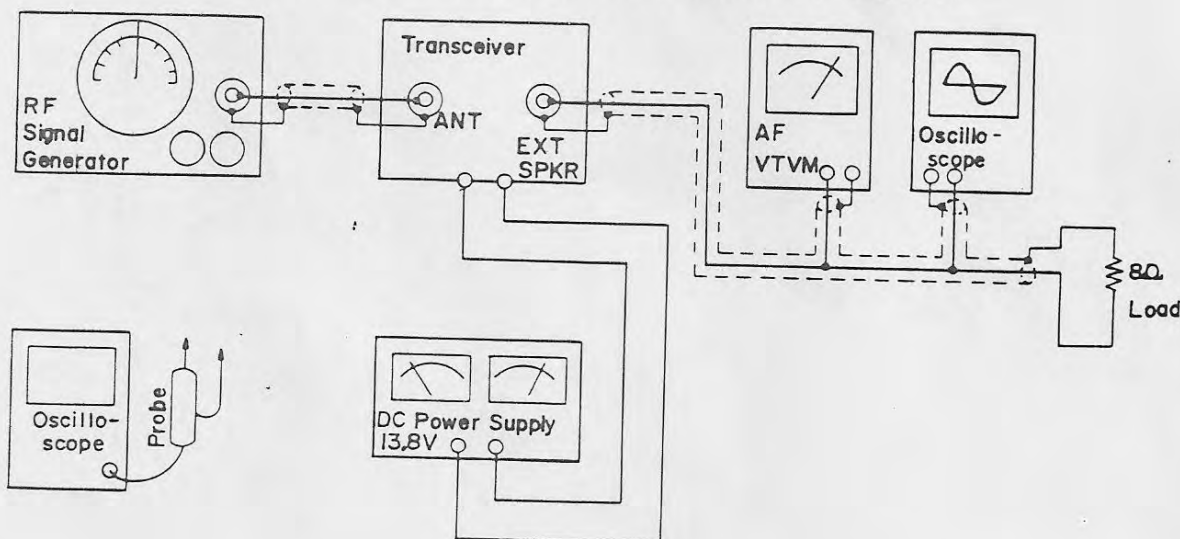
PLL AND CARRIER OSCILLATOR TEST EQUIPMENT SETUP



TRANSMITTER TEST EQUIPMENT SETUP



RECEIVER TEST EQUIPMENT SETUP



ALIGNMENT PROCEDURE

NOTES: PB010 = Cobra 148GTL-DX, Superstar 360FM.
 PC999 = President Grant.
 PB042 = President Jackson.
 n/a = not applicable.

I. PLL SYNTHESIZER ALIGNMENT

Required test equipment:

1. 0-5 MHz oscilloscope.
2. Digital DC Voltmeter.
3. Frequency counter, DC - 30 MHz, 25 mV sensitivity

| STEP | PRESET CONDITIONS | PB010 PROCEDURE | PC999 PROCEDURE | PB042 PROCEDURE |
|------|---|--|---|---|
| 1. | RX Mode, AM. Clarifier control(s) at center detent. | MID Band, Ch. 19. Connect 'scope to TP4 (top bare lead of R124). Adjust L17 for max. (0.9V p-p typical) | MID Band, Ch. 19. Connect 'scope to TP4 (top bare lead of R121). Adjust L17 for max. (0.9V p-p typical) | 'C' Band, Ch. 19. n/a |
| 2. | Same as Step 1, except: Switch to Ch. 40. | Connect DC voltmeter to TP2 (top bare lead of R126). Adjust L18 for 5.40 VDC. | Connect DC voltmeter to TP2 (top bare lead or R127). Adjust L18 for 4.85 VDC. | Connect DC voltmeter to TP2 (top bare lead of R122). Adjust L12 for 5.40 VDC. |
| 3. | Same as Step 1. | Connect 'scope to TP3 (top bare lead of R84). Adjust L19 for max. (1.0V p-p typical.) | Connect 'scope to TP3 (bare jumper JP47). Adjust L19 for max. (1.0V p-p typical.) | Connect 'scope to TP3 (top bare lead of R73). Adjust L13 for max. (2.8V p-p typical.) |
| 4. | Return to Ch.19. Clarifier control(s) at center detent. | OFFSET ADJUSTMENTS: These are the same for each chassis, except that the PC999 will require two sets as described, since it has 2 crystals. Remove 'scope from TP3 and attach Frequency Counter to this point now. | | |
| | <u>AM</u> : | Adjust L21 for 16.4900 MHz. | Adjust L25 MID band & L22 LOW band for 16.4900 MHz. | Adjust L14 for 16.4900 MHz. |
| | <u>USB</u> : | Adjust L22 for 16.4925 MHz. | Adjust L26 MID band & L23 LOW band for 16.4925 MHz. | Adjust L15 for 16.4925 MHz. |
| | <u>LSB</u> : | Adjust L23 for 16.4875 MHz | Adjust L27 MID band & L24 LOW band for 16.4875 MHz. | Adjust L16 for 16.4875 MHz. |
| 5. | Switch to LSB, TX Mode. | Adjust VR6 for 16.4875 MHz. | Adjust VR6 for 16.4875 MHz. | Adjust VR6 for 16.4875 MHz. |
| 6. | Return to RX Mode. | CARRIER OSCILLATOR OFFSETS: These are the same for every chassis. For AM, it will not be possible to read the 10.695 MHz signal directly as it is with USB or LSB/CW. Therefore, the easiest AM adjustment will be to tune the appropriate AM coil in the TX Mode for exact center channel frequency. If the 16 MHz adjustment of Step 4 was properly made, the AM offset will automatically be 10.695 MHz as required. For USB and LSB/CW, the adjustment can be made in the RX mode. | | |
| | <u>USB</u> : | Connect Freq. Counter to TP6 (bare top lead of R60). Adjust L38 for 10.6925 MHz. | Connect Freq. Counter to TP6 (bare top lead of R60). Adjust L29 for 10.6925 MHz. | Connect Freq. Counter to TP4 (bare top lead of R105). Adjust L23 for 10.6925 MHz. |
| | <u>LSB/CW</u> : | Adjust L39 for 10.6975 MHz. | Adjust L30 for 10.6975 MHz. | Adjust L24 for 10.6975 MHz. |
| | <u>AM</u> : | TX Mode. Adjust L37 for 27.1850 MHz. | TX Mode. Adjust L28 For 27.1850 MHz. | TX Mode. Adjust L22 for 27.1850 MHz. |

II. TRANSMITTER ALIGNMENT

Required test equipment:

1. RF Wattmeter.
2. 50-Ohm Dummy Load, 20 watts minimum power rating.
3. Frequency Counter, 0-30 MHz.
4. Oscilloscope, 30 MHz minimum bandwidth.
5. Audio oscillator and two-tone generator.
6. DC Voltmeter or multimeter with DC Amps capability.
7. Spectrum Analyzer.
8. FM Deviation Meter.

| STEP | PRESET CONDITIONS | PB010 PROCEDURE | PC999 PROCEDURE | PB042 PROCEDURE |
|--|--|--|---|---|
| 1. | Band Switch & Channel Selector to 27.185 MHz (MID or 'C' Band, Ch. 19 as appropriate) TX Mode, USB, MIKE GAIN minimum. <u>DRIVER BIAS:</u> <u>FINAL BIAS :</u> | Remove jumper PCB connecting TP7,8,9. Connect DC Ammeter between TP9 (+) and TP8 (-) Adjust VR11 for 50ma. Move TP8 jumper to TP7 terminal. Adjust VR10 for 50 ma. | Remove jumper PCB connecting TP7,8,9. Connect DC Ammeter between TP9 (+) and TP8 (-). Adjust VR11 for 50 ma. Move TP8 jumper to TP7 terminal. Unsolder Emitter lead of TR42; adjust VR9 for 25ma. Restore TR42 and unsolder lead of TR41; adjust VR10 for 25ma.* Restore TR41 Emitter.* | Remove jumper PCB connecting TP6,7,8. Connect DC Ammeter between TP8 (+) and TP6 (-). Adjust VR10 for 50 ma. Move TP6 jumper to TP7 terminal. Adjust VR9 for 100ma. |
| RESTORE SHORTING PCB JUMPER BEFORE PROCEEDING, ALL CHASSIS MODELS. | | | | |
| 2. | Same as Step 1 except: MIKE GAIN at maximum. Inject 50 mV, two-tone audio signal at mike socket. | Adjust L54, L55, L53, L52, L44 for maximum RF output as shown on 'scope or wattmeter. | Adjust L48, L49, L46, L45, L37 for maximum RF output as shown on 'scope or wattmeter. | Adjust L43, L42, L41, L33, L30 for maximum RF output as shown on 'scope or wattmeter. |
| 3. | Remove injected audio signal. Turn MIKE GAIN to minimum. | CARRIER BALANCE: Adjust VR7 for min. carrier leakthrough; recheck for LSB mode. | CARRIER BALANCE: Adjust VR7 for min. carrier leakthrough; recheck for LSB mode. | CARRIER BALANCE: Adjust VR5 for min. carrier leakthrough; recheck for LSB mode. |
| 4. | Same as Step 2 except: Increase two-tone output to 100mV level. | SSB ALC: Adjust VR12 for 12 watts PEP.** | SSB ALC; Adjust VR12 for 21 watts PEP.** | SSB ALC: Adjust VR8 for 21 watts PEP.** |
| 5. | AM Mode, MIKE GAIN at minimum. | AM CARRIER POWER:*** Adjust VR13 for 5 watts power output. | AM CARRIER POWER: *** Adjust VR13 for 10 watts power output. | AM CARRIER POWER:*** Adjust VR11 for 10 watts power output. |
| 6. | Same as Step 5. | RF METER: Adjust VR6 so meter agrees with actual Wattmeter. | RF METER: Adjust VR8 so meter agrees with actual Wattmeter. | RF METER: Adjust VR7 so meter agrees with actual Wattmeter. |
| 7. | Same as Step 4 except, Use single-tone input. | AMC: Adjust VR14 for 95% modulation. | AMC: Adjust VR14 for 95% modulation. | AMC: Adjust VR12 for 95% modulation. |
| 8. | Same as Step 7. | n/a | MODULATION METER: Adjust VR15 so that meter agrees with actual modulation %. | MODULATION METER: Adjust VR3 so that meter agrees with actual modulation %. |
| 9. | Switch to FM Mode, MIKE GAIN maximum. Inject a single-tone audio signal 1 KHz @ 15-25mV at mike jack. | FM DEVIATION: Adjust VR5 for maximum deviation of 5 KHz. | FM DEVIATION: Adjust VR5 for maximum deviation of 5 KHz. | FM DEVIATION: Adjust VR4 for maximum deviation of 5 KHz. |
| 10. | Switch to CW Mode. Plug in CW key or short CW Key jack. | CW SIDETONE MONITOR: Adjust VR15 for the desired speaker volume. | n/a | n/a |
| 11. | USE SPECTRUM ANALYZER TO CHECK FOR SPURIOUS EMISSIONS IN ALL CHASSIS. | | | |

*Make sure TR41 & TR42 are biased for equal current draw: otherwise distortion and possible transistor damage will result. A cross-check method is to measure the base idling voltage to ground, which is typically 0.60V to 0.72V, SSB mode. Adjust VR9 & VR10 for the same reading.

**Since all 3 chassis have a MIKE GAIN control, the ALC can be adjusted for maximum RF power output and then controlled by the MIKE GAIN when less power is needed. To maximize, use a single tone audio signal or whistle with MIKE GAIN at maximum. Adjust ALC trimmer just to the point where further adjustment causes no further power output, then back it down some. CAUTION: Defeating the ALC function also causes 'flat-topping' of the transmitted signal with consequent distortion and possible splatter to adjacent channels.

***AM Carrier power on all these chassis can generally be peaked up about 20% higher with full audio modulation. Do not peak as far as it will go; the audio power is not sufficient for 100% modulation at maximum carrier power. To adjust, use single tone or whistle while viewing 'scope: with maximum MIKE GAIN setting, adjust AM Carrier Power trimmer just to the point where the peaks begin to flatten and no further. Typical possibilities are about 7 watts for the PB010 chassis, and 12 watts for the PC999 & PB042 chassis. (FM not affected by AM limitations).

III. RECEIVER ALIGNMENT

Required test equipment:

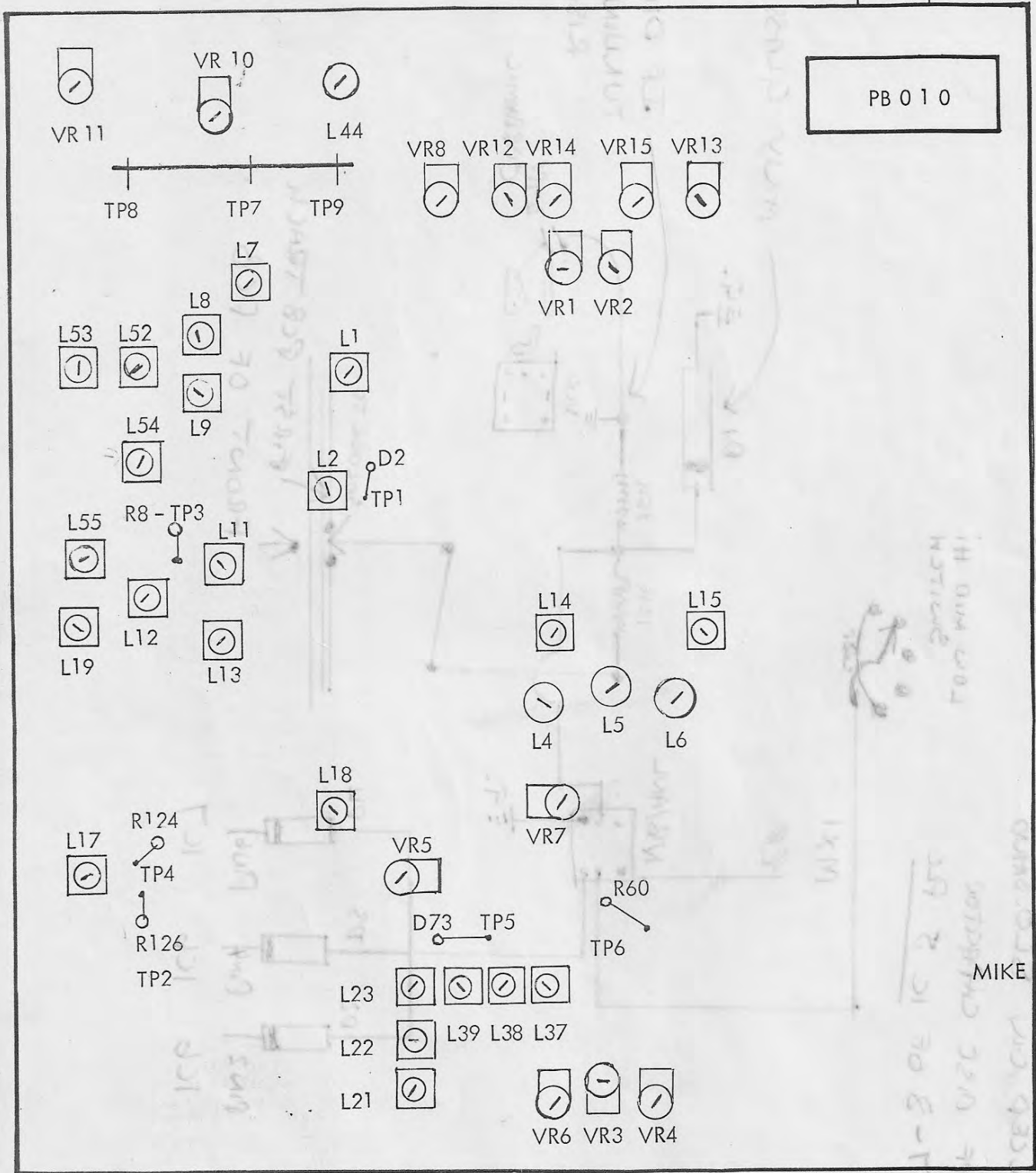
1. Signal Generator with 27 MHz capability. Must have adjustable Modulation % and calibrated output steps.
2. AF VTVM (5V full scale range) or oscilloscope.
3. 8-ohm audio load. (optional if not available.)
4. DC Voltmeter.
5. FM Signal Generator.

| STEP | PRESET CONDITIONS | PB010 PROCEDURE | PC999 PROCEDURE | PB042 PROCEDURE |
|------|---|--|---|---|
| 1. | Ch. 19 (27.185 MHz) of MID or 'C' band, AM Mode. Clarifier control(s) at center detent. RF GAIN full on. SQUELCH OFF. Noise Blanker OFF. Set Signal Generator for 27.185 MHz signal of 1uV, 30% modulation, 1 KHz. | | | |
| 2. | Same as Step 1. | Adjust L5,L4,L13,L12, L11,L9,L8,L7 for maximum reading on AF VTVM, 'scope, or radio S-Meter. | Adjust L5,L4,L3,L13, L12,L11,L9,L8,L7,L52 for maximum reading on AF VTVM, 'scope, or radio S-Meter. | Adjust L9,L8,L7,L6,L5 for maximum reading on AF VTVM, 'scope, or radio S-Meter. |
| 3. | Switch to USB. Remove modulation from Signal Generator. Use Clarifier as required to center signal meter reading. | Adjust L14, L15 for maximum as in Step 2. | Adjust L14, L15 for maximum as in Step 2. | n/a |
| 4. | Increase Generator output to 100uV, unmodulated. | SSB/CW S-METER: Adjust VR2 for S-9 reading. | SSB S-METER: Adjust VR2 for S-9 reading. | n/a |
| 5. | Increase Generator output to 1000uV. SQUELCH fully clockwise | SSB/CW SQUELCH RANGE: Adjust VR3 so that squelch just breaks. | SSB SQUELCH RANGE: Adjust VR3 so that squelch just breaks. | n/a |
| 6. | Return to AM Mode. Set Clarifier at center detent. | AM/FM SQUELCH RANGE: Adjust VR4 so that squelch just breaks. | AM/FM SQUELCH RANGE: Adjust VR4 so that squelch just breaks. | SQUELCH RANGE: Adjust VR2 so that squelch just breaks. |
| 7. | Reduce Generator output to 100uV, SQUELCH fully counterclockwise. | AM/FM S-METER: Adjust VR1 for S-9 reading. | AM/FM S-METER: Adjust VR1 for S-9 reading. | S-METER: Adjust VR1 for S-9 reading. |
| 8. | Set to FM Mode. Reduce VOLUME as required. Inject modulated FM Signal of 100uV, 1 KHz tone 5 KHz deviation. | FM QUADRATURE COIL: Adjust L6 for maximum audio with 'scope on IC2 Pin 7. | FM QUADRATURE COIL: Adjust L6 for maximum audio with 'scope on IC2 Pin 7. | FM QUADRATURE COIL: Adjust L4 for maximum audio with 'scope on IC1 Pin 9. |
| | | NOTE: If no FM Signal Generator is available, use a second FM CB or HAM transceiver having 5 KHz deviation. Adjust appropriate quadrature coil in each chassis for best-sounding audio quality of received signal. | | |
| 9. | Return to AM Mode. Set AM Signal Generator for 1uV unmodulated. Turn on NOISE BLANKER switch. | NOISE BLANKER: Adjust L1 & L2 for maximum DC voltage as measured at TP1 (- of D2). | NOISE BLANKER: Adjust L1 & L2 for maximum DC voltage as measured at TP1 (- of D2). | NOISE BLANKER: Adjust L3 for maximum DC voltage as measured at TP1 (- of D2). |

ALIGNMENT LOCATIONS

ANT. COAX

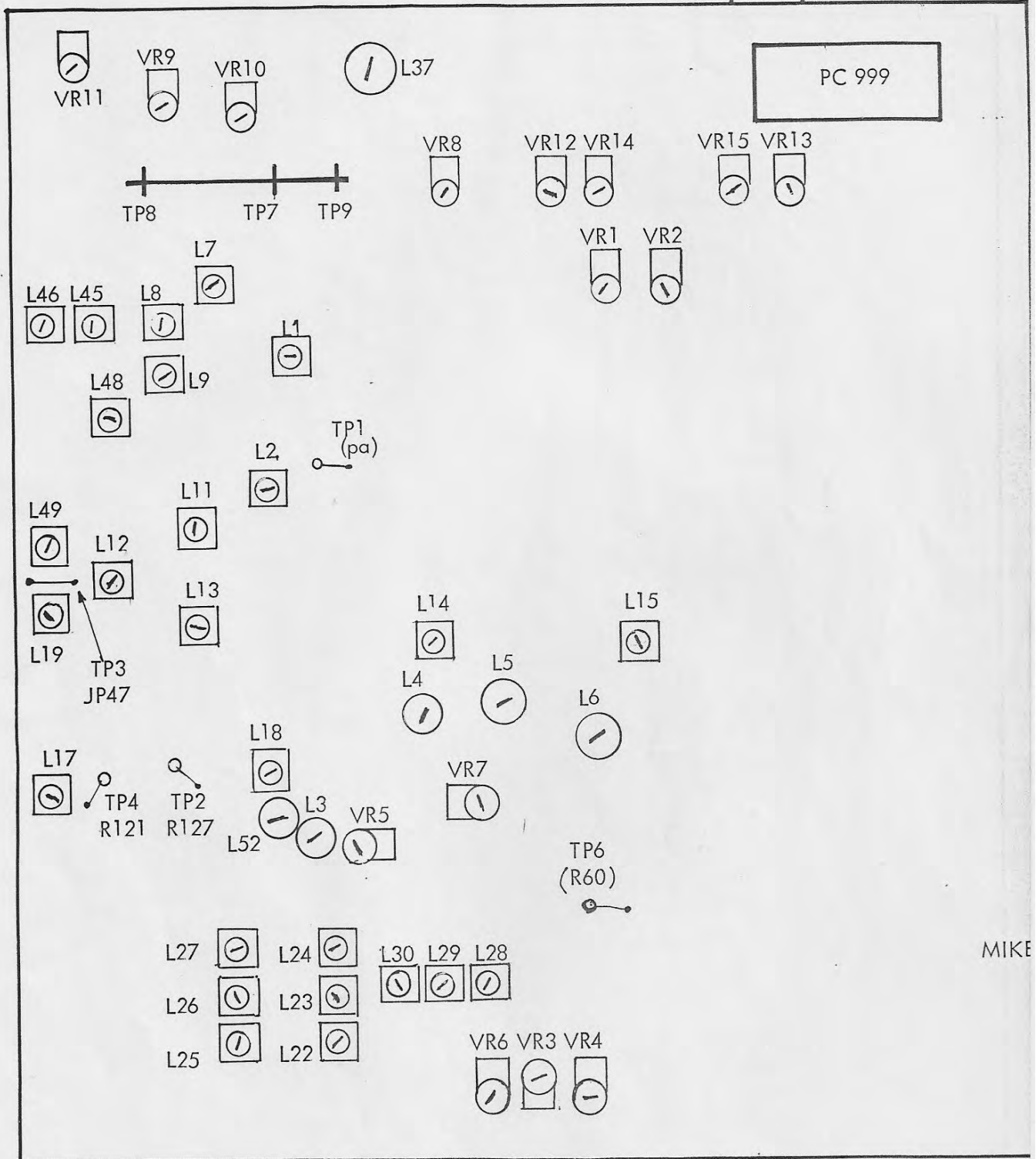
PB 0 1 0



FRONT

ALIGNMENTS LOCATIONS

ANT. COAX

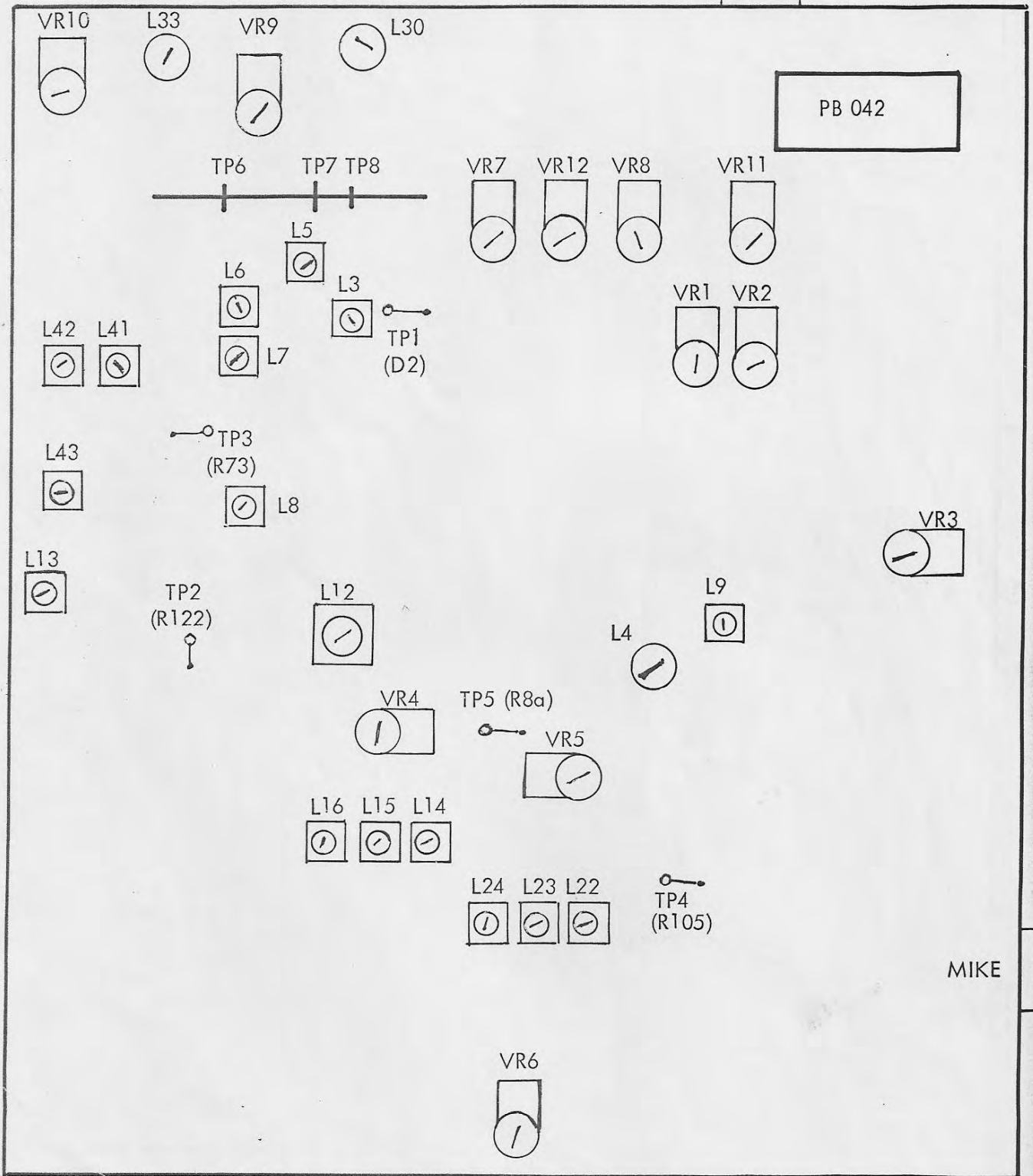


FRONT

MIKE

ALIGNMENT LOCATIONS

ANT.COAX



VOLTAGE MEASUREMENTS

Vcc = 13.75 VDC. All measurements made with Digital Voltmeter, in the AM Receive Mode unless otherwise noted.

| | | | COBRA 148GTL-DX/SUPERSTAR 360FM (PB010 CHASSIS) | PB010 | |
|---|--|--|---|---|---|
| TR1 - Noise Blanker B - 1.90 NB C - 8.00 NB E - 1.10 NB | TR14 - SSB/CW S-Met Sw. B - 0.70 SSB/CW C - 0.0 SSB/CW E - 0.0 SSB/CW | TR27 - VCO Buffer B - 0.60 C - 3.80 E - 0.0 | | | |
| TR2 - Noise Blanker B - 0.70 NB C - 2.60 NB E - 0.0 | TR15 - SSB Det/AF Amp B - 1.30 C - 5.40 E - 0.70 | TR28 - not present | TR29 - 15 Mhz Loop Osc. B - 1.30 C - 7.70 E - 0.60 | TR41 - Voltage Regulator B - 13.00 SSB/CW; 12.10 AM/FM TX C - 8.40 E - 13.80 RX; 13.60 SSB/CW TX; 13.00 AM/FM TX | TR53 - AMC Amp B - 0.90 C - 7.70 E - 1.70 AM/FM/CW; 4.20 SSB |
| TR3 - Noise Blanker B - 2.60 NB C - 8.00 NB E - 1.80 NB | TR16 - Squelch Sw. B - 0.80 TX & Sq. C - 0.0 E - 0.0 | TR30 - Carrier Osc. B - 3.00 SSB/CW C - 6.40 SSB/CW E - 2.40 SSB/CW | TR31 - SSB Sw. B - 0.70 AM/FM C - 3.00 SSB/CW; 0 AM/FM E - 0.0 | TR42 - AF Preamp B - 1.20 C - 3.20 E - 0.60 | TR54 - FM Sw. B - 0.70 FM C - 0.0 E - 0.0 |
| TR4 - Noise Blanker B - 0.0 NB C - 8.30 NB E - 1.12 NB | TR17 - RX RF Amp B - 2.20 C - 8.00 E - 1.50 | TR32 - AMC Shunt B - 0.70 RX; 0.0 TX C - 0.0 E - 0.0 | TR33 - Roger Beep Osc. B - 0.55 TX C - 0.60 TX E - 0.0 | TR43 - not present | TR55 - CW Keying Sw. B - 0.70 C - 0.0 E - 0.0 |
| TR5 - Noise Blanker B - 0.0 NB C - 7.70 NB E - 0.0 NB | TR18 - 1st RX Mixer B - 0.80 C - 8.30 E - 0.10 | TR34 - RF Final Amp B - 0.70 SSB/CW TX; 0.60 AM/FM TX C - 5.60 AM/FM/CW TX; 13.70 SSB TX E - 0.0 | TR35 - CW Tone Osc. B - 8.20 CW C - 8.30 CW E - 7.70 CW | TR44 - RF Final Amp B - 0.70 SSB/CW TX; 0.60 AM/FM TX C - 5.60 AM/FM/CW TX; 13.70 SSB TX E - 0.0 | IC1 - SQ Amp, AGC Amp 1 - NC 8 - 0.90 Sq. 2 - NC 9 - 1.90 3 - NC 10 - 1.50 4 - 8.40 11 - 0.0 5 - 0.0 12 - 0.30 6 - 0.0 13 - 0.30 7 - 0.0 14 - 0.60 |
| TR6 - Noise Blanker B - 7.70 NB C - 0.0 NB E - 8.30 NB | TR19 - SSB IF Amp B - 1.60 SSB/CW C - 6.60 SSB/CW E - 0.80 SSB/CW | TR36 - RX Voltage Sw. B - 7.80 C - 8.40 RX; 0.0 TX E - 8.30 | TR37 - RX Voltage Sw. B - 0.0 TX; 0.66 RX C - 0.10 RX; 7.80 TX E - 0.0 | TR45 - RF Driver B - 0.70 SSB/CW TX; 0.60 AM/FM TX C - 5.60 AM/FM/CW TX; 13.70 SSB TX E - 0.0 | IC2 - FM Det. 1 - 1.20 FM 5 - 3.20 FM 2 - 1.30 FM 6 - 3.30 FM 3 - 7.10 FM 7 - 5.10 FM 4 - 0.0 |
| TR7 - Noise Blanker B - 0.0 NB C - 0.0 NB E - 0.0 | TR20 - SSB IF Amp B - 0.70 SSB/CW C - 3.60 SSB/CW E - 0.0 | TR38 - TX Voltage Sw. B - 7.90 RX; 7.60 TX C - 0.0 RX; 8.20 TX E - 8.40 | TR39 - CW Sw. B - 0.70 CW C - 0.0 CW; 2.75 AM/FM/SSB | TR46 - RF Predriver B - 1.40 TX C - 8.10 SSB/CW TX; 7.40 AM/FM TX E - 0.80 TX | IC3 - Balance Mod. 1 - 3.0 SSB/CW TX 2 - 3.4 SSB TX 3 - 3.4 SSB TX 4 - 0.0 5 - 6.0 SSB TX 6 - 7.5 SSB TX 7 - 4.0 SSB TX |
| TR8 - 2nd RX Mixer B - 0.70 C - 7.40 AM/FM E - 0.20 AM/FM | TR21 - SSB IF Amp B - 3.60 SSB/CW C - 6.10 SSB/CW E - 2.90 SSB/CW | TR40 - Voltage Regulator B - 1.60 C - 12.90 RX; 11.90 AM/FM TX; 12.70 SSB/CW TX E - 1.00 | TR41 - Voltage Regulator B - 1.30 C - 7.70 E - 0.60 | TR47 - RF Amp & Buffer B - 1.40 TX C - 6.10 TX E - 0.70 TX | IC4 - Mike Preamp 1 - 4.40 TX 2 - 4.40 TX 3 - 4.40 TX 4 - 0.0 5 - 2.20 TX 6 - 3.20 TX 7 - 2.30 TX 8 - 8.10 TX |
| TR9 - AM/FM IF Amp B - 0.70 AM/FM C - 3.20 AM/FM E - 0.0 | TR22 - SSB IF Amp B - 0.0 C - 2.90 SSB/CW E - 7.40 SSB/CW | TR49 - AM Reg & Mod. B - 6.10 AM/FM/CW TX; 12.80 SSB TX C - 13.20 SSB TX; 12.10 AM/FM TX E - 5.60 AM/FM/CW TX; 13.40 SSB TX | TR50 - AM Reg & Mod. B - 12.10 AM/FM TX; 12.60 CW TX; 13.20 SSB TX C - 5.60 AM/FM/CW TX; 13.70 SSB TX E - 12.50 AM/FM TX; 13.00 SSB/CW TX | IC5 - PLL 1 - 8.40 2 - 4.30 3 - 4.30 4 - 4.30 5 - NC 6 - NC 7 - 3.2 to 4.7, LOW to HIGH 8 - 8.20 9 - 0.0 10 - 0.0 11-17: Depends on Channel: 0 or 8.30 18 - 0.0 | |
| TR10 - AM/FM IF Amp B - 3.20 AM/FM C - 7.40 AM/FM E - 2.40 AM/FM | TR23 - AM Det. Sw. B - 0.70 AM C - 0.0 E - 0.0 | TR51 - AM Reg & Mod. B - 12.50 AM/FM TX; 13.00 SSB/CCB/CW TX C - 5.60 AM/FM/CW TX; 13.70 SSB TX E - 13.00 AM/FM TX; 13.70 SSB/CW TX | TR52 - SSB Sw. B - 0.0 AM/FM/CW; 7.80 SSB C - 5.60 AM/FM/CW; 13.70 SSB E - 0.0 AM/FM/CW; 7.10 SSB | IC6, IC7 - Adders Pin 8 both - 0.0 Pin 16 both - 8.30 Pin 9, IC6 - 0.0 Pin 9, IC7 - 0.0 LOW & MID, 8.30 HIGH Pin 14, IC6 0.0 LOW & MID, 8.30 HIGH All others depend on Band & Channel, either 0 or 8.30 | |
| TR11 - AM/FM IF Amp B - 2.40 AM/FM C - 7.20 AM/FM E - 1.70 AM/FM | TR24 - 10.24 Mhz Osc. B - 2.50 C - 6.40 E - 1.80 | TR53 - AMC Amp B - 0.90 C - 7.70 E - 1.70 AM/FM/CW; 4.20 SSB | TR54 - FM Sw. B - 0.70 FM C - 0.0 E - 0.0 | IC8 - Audio Power 1 - 13.80 2 - 6.60 3 - 0.0 4 - 0.0 5 - 1.10 6 - 1.10 7 - 0.0 8 - 0.0 9 - 7.00 10 - 13.10 | |
| TR12 - SSB AGC Sw/Timing B - 0.70 SSB C - 0.0 SSB E - 0.0 | TR25 - PLL Mixer B - 1.40 C - 4.80 E - 0.90 | TR55 - CW Keying Sw. B - 0.70 C - 0.0 E - 0.0 | IC1 - SQ Amp, AGC Amp 1 - NC 8 - 0.90 Sq. 2 - NC 9 - 1.90 3 - NC 10 - 1.50 4 - 8.40 11 - 0.0 5 - 0.0 12 - 0.30 6 - 0.0 13 - 0.30 7 - 0.0 14 - 0.60 | IC9 - TX Mixer 1,4,6,9,14 - 0.0 2,3,5 - 8.00 7,8 - 2.70 10,12 - 1.00 11,13 - 1.40 | |
| TR13 - AM S-Met Sw. B - 0.70 AM/FM C - 0.0 AM/FM E - 0.0 AM/FM | TR26 - VCO B - 2.10 C - 7.30 E - 1.40 | TR56 - SSB Sw. B - 0.0 AM/FM/CW; 7.80 SSB C - 5.60 AM/FM/CW; 13.70 SSB E - 0.0 AM/FM/CW; 7.10 SSB | | | |

VOLTAGE MEASUREMENTS

Vcc = 13.75 VDC. All measurements made with digital voltmeter. Voltages measured in the AM, RECEIVE Mode unless otherwise noted. Measurements may vary ± 10%.

PRESIDENT GRANT (PC999) CHASSIS

PC999

| | | | | | |
|--------------------------|----------------------------|--------------------------|---------------------------------|-----------------------|-----------------------|
| TR1 - Noise Blanker | TR13 - AM/FM S-Meter Sw. | TR25 - VCO | TR37 - TX voltage source | TR52 - FM Sw. | IC6 - Audio Power Amp |
| B - 1.9 NB | B - 0.7 AM/FM | B - 2.10 | B - 7.60 TX | B - 0.70 FM | 1 - 0.0 |
| C - 8.0 NB | C - 0.0 AM/FM | C - 7.63 | C - 0.0 RX; 8.20 TX | C - 0.0 | 2 - 0.0 |
| E - 1.10 NB | E - 0.0 AM/FM | E - 1.45 | E - 8.40 TX | E - 0.0 | 3 - 1.24 |
| TR2 - Noise Blanker | TR14 - SSB S-Meter Sw. | TR26 - VCO Buffer | TR38 - Voltage Regulator | IC1 - Squelch Amp. | 4 - 0.0 |
| B - 0.70 NB | B - 0.70 SSB | B - 0.70 | B - 1.60 | AGC Amp & Buffer | 5 - 6.68 |
| C - 2.60 NB | C - 3.43 | C - 3.43 | C - 12.90 | 1,2,3 - NC | 6 - 12.57 |
| E - 0.0 | E - 0.0 | E - 0.0 | E - 1.00 | 4 - 8.30 | 7 - 13.68 |
| TR3 - Noise Blanker | TR15 - SSB Det. AF Preamp | TR27 - 15 MHz PLL Osc. | TR39 - Voltage Regulator | IC7 - TX Mixer | 1 - 0.18 TX |
| B - 2.60 NB | B - 1.30 | B - 2.45 | B - 12.95 | 2 - 7.99 TX | 2 - 7.99 TX |
| C - 8.0 NB | C - 5.40 | C - 7.06 | C - 8.30 | 8 - 6.93 SQ. | 3 - 7.99 TX |
| E - 1.80 NB | E - 0.70 | E - 3.16 | E - 13.65 | 9 - 1.96 | 4 - 0.18 TX |
| TR4 - Noise Blanker | TR16 - Squelch Sw./T/R Sw. | TR28 - Program Bit Sw. | TR40 - AF Preamp | 10 - 2.27 SQ. | 5 - 7.99 TX |
| B - 0.0 | B - 0.8 TX or Squelched | B - 0.70 HIGH Band only | B - 1.14 | 11 - 0.0 | 6 - 0.18 TX |
| C - 8.30 NB | C - 0.0 TX | C - 8.23 LOW, MID Band | C - 3.51 | 12 - 0.23 | 7 - 3.02 TX |
| E - 1.12 NB | E - 0.0 TX | E - 0.0 | E - 0.53 | 13 - 0.23 | 8 - 3.02 TX |
| TR5 - Noise Blanker | TR17 - RX RF Amp | TR29 - Carrier Osc. | TR41, TR42 - RF Finals | 14 - 0.50 | 9 - 0.0 |
| B - 0.0 | B - 2.20 | B - 3.35 SSB | B - 0.55 TX AM/FM; 0.70 TX SSB | IC2 - FM Det. | 10 - 1.34 TX |
| C - 7.70 NB | C - 8.00 | C - 6.95 SSB | C - 13.69 TX SSB; 6.12 TX AM/FM | 1 - 1.26 FM | 11 - 1.59 TX |
| E - 0.0 | E - 1.50 | E - 2.66 SSB | E - 0.0 | 2 - 1.30 FM | 12 - 1.34 TX |
| TR6 - Noise Blanker | TR18 - 1st Mixer | TR30 - AM/SSB Audio Sw. | TR43 RF Driver | 3 - 7.10 FM | 13 - 1.59 TX |
| B - 7.70 NB | B - 0.80 | B - 0.70 AM/FM; 0.0 SSB | B - 0.70 TX SSB; 0.84 TX AM/FM | 4 - 0.0 | 14 - 0.0 |
| C - 0.0 | C - 8.30 | C - 0.0 AM/FM; 3.0 SSB | E - 0.0 | IC9, IC 9 - PLL Addr | Pin 8 (both) = 0.0 |
| E - 8.30 NB | E - 0.10 | E - 0.0 | TR44 - RF Predriver | Pin 16 (both) = 8.28 | Pin 9, Pin 14 (both) |
| TR7 - Noise Blanker | TR19 - SSB IF Amp | TR31 - AMC Shunt | B - 1.40 TX | always 0.0. All other | pins depend upon the |
| B - 0.0 | B - 1.60 SSB RX | B - 0.73 | C - 8.1 TX SSB; 6.68 TX AM/FM | Channel & Band. | |
| C - 0.0 | C - 7.19 SSB RX | C - 0.0 | E - 0.80 TX | | |
| E - 0.0 | E - 0.80 SSB RX | TR32 - Roger Beep Osc. | TR45 - RF Amp & Buffer | | |
| TR8 - AM/FM IF Amp | TR20 - SSB IF Amp | B - 0.70 TX | B - 1.50 TX | IC3 - Balance Mod. | |
| B - 0.70 | B - 0.70 SSB RX | C - 3.60 SSB RX | C - 6.68 TX | 1 - 3.00 SSB TX | |
| C - 7.40 AM/FM | C - 3.60 SSB RX | E - 0.0 | E - 0.88 TX | 2 - 3.38 SSB TX | |
| E - 0.20 AM/FM | E - 0.0 | TR33 - PA Switch | TR46 - SSB ALC Sense | 3 - 3.37 SSB TX | |
| TR9 - AM/FM IF Amp | TR21 - SSB IF Amp | B - 3.60 SSB RX | B - 0.0 SSB TX no mod. | 4 - 0.0 | |
| B - 0.70 | B - 3.60 SSB RX | C - 6.80 SSB RX | C - 7.70 SSB TX | IC4 - Mike Preamp | |
| C - 3.20 AM/FM | C - 6.80 SSB RX | E - 2.90 SSB RX | E - 1.05 SSB TX | 1 - 4.52 TX | |
| E - 0.0 | E - 2.90 SSB RX | TR34 - AMC | TR47 - AM Mod. & Pwr | 2 - 4.49 TX | |
| TR10 - AM/FM IF Amp | TR22 - SSB IF Amp | B - 7.80 TX | B - 13.28 AM/FM | 3 - 4.52 TX | |
| B - 3.20 AM/FM | B - 2.96 SSB RX | C - 0.78 TX | C - 6.16 TX AM/FM; 13.70 TX SSB | 4 - 0.0 | |
| C - 3.20 AM/FM | C - 7.27 SSB RX | E - 8.3 TX | E - 13.75 | 5 - 2.31 TX; 4.26 RX | |
| E - 0.0 | E - 2.20 SSB RX | TR35 - RX voltage source | TR48 - AM Mod. & Pwr | 6 - 3.22 TX | |
| TR11 - AM/FM IF Amp | TR23 - AM/SSB Det. Sw. | B - 7.70 RX | B - 13.27 AM/FM | 7 - 2.50 TX; 7.30 RX | |
| B - 2.40 AM/FM | B - 0.70 AM RX | C - 0.26 TX; 8.40 RX | C - 6.18 AM/FM; 13.73 SSB | 8 - 8.06 | |
| C - 7.20 AM/FM | C - 0.0 AM RX | E - 8.4 | E - 13.12 | IC5 - PLL | |
| E - 1.70 AM/FM | E - 0.0 AM RX | TR36 - RX voltage source | TR49 - AM Mod. & Pwr | 1 - 4.67 | |
| TR12 - SSB RX AGC/TIMING | TR24 - PLL Mixer | B - 0.10 TX; 0.70 RX | B - 12.61 SSB; 6.67 AM/FM | 2 - 4.14 | |
| B - 0.70 SSB | B - 1.46 | C - 5.07 | C - 13.12 | 3 - 3.61 | |
| C - 0.0 | C - 5.07 | E - 0.0 | E - 6.20 AM/FM; 13.20 SSB | 4 - 3.70 | |
| E - 0.0 | E - 0.0 | | TR50 - SSB Sw. | 5 - 3.70 | |
| | | | B - 7.15 SSB | 6 - 8.23 | |
| | | | C - 13.02 | 7 - 4.31 | |
| | | | E - 6.45 SSB | 8 - 4.63 | |
| | | | TR51 - AMC Amp | 9 - 8.28 | |
| | | | B - 1.00 AM TX | 10 - * | |
| | | | C - 7.79 AM TX | 11 - * | |
| | | | E - 2.00 AM TX | 12 - * | |
| | | | | 13 - * | |
| | | | | 14 - * | |
| | | | | 15 - * | |
| | | | | 16 - * | |
| | | | | 17 - 3.71 | |
| | | | | 18 - 0.0 | |
| | | | | *depends on channel | |

TYPICAL STAGE GAIN MEASUREMENTS

The following measurements will give the technician some approximate gain figures for troubleshooting. Measurement conditions: AM, no modulation except as noted, $V_{cc} = 13.75$ VDC. Measurements made with 50 MHz 'scope and 10X probe, and are peak-to-peak (p-p) except where noted. May vary $\pm 20\%$ by models.

| | PB010 | PC999 | PB042 |
|---------------------|---|--|---|
| <u>TX RF AMPS</u> | IC9, Pin 5: 1.5V p-p TR47 Buffer: 2.0V p-p Base, 2.5V p-p Collector TR46 Pre-driver: 2.0V p-p Base, 15.0V p-p Collector TR45 Driver: 3.5V p-p Base, 17.0V p-p Collector TR44 Final: 8.0V p-p Base, 35.0V p-p Collector | IC7, Pin 5: 1.5V p-p TR45 Buffer: 1.0V p-p Base, 1.6V p-p Collector TR44 Pre-driver: 1.0V p-p Base, 7.0V p-p Collector TR43 Driver: 5.0V p-p Base, 18.0V p-p Collector TR41/42 Finals: 7.5V p-p Bases, 40.0V p-p Collectors | IC8, Pin 9: 2.0V p-p TR39 Buffer: 0.8V p-p Base, 1.0V p-p Collector TR38 Pre-driver: 0.90V p-p Base, 2.3V p-p Collector TR37 Driver: 2.0V p-p Base 8.0V p-p Collector TR36 Final: 4.0V p-p Base, 35.0V p-p Collector |
| <u>OSCILLATORS</u> | TR24, 10.24 MHz: 2.50V p-p, Emitter TR29, 15 MHz: 0.60V p-p, Emitter TR30, Carrier, 1.0V p-p SSB, Emitter | Pin 7, MB8719: 8.0V p-p TR27, 15 MHz: 0.35V p-p, Emitter TR29, Carrier: 1.0V p-p SSB, Emitter | TR19, 10.24 MHz: 1.60V p-p, Emitter TR23, 14.55 MHz: 1.90V p-p, Emitter TR24, Carrier: 1.6V p-p SSB, Emitter |
| <u>PLL DOWNMIX</u> | Pin 2, MCL45106 0.70V p-p | Pin 17, MB8719 0.85V p-p | Pin 2, MCL45106: 1.40V p-p |
| <u>AUDIO AMPS</u> | IC4, Pin 1: 1.5V p-p TX, loud whistle, MIKE GAIN full on. IC8, Pin 9: 0.20V p-p sine wave, 100uV 30% mod. input sig. | IC4, Pin 1: 2.0V p-p TX, loud whistle, MIKE GAIN full on. IC6, Pin 5: 0.25V p-p sine wave, 100uV 30% mod. input sig. | IC4, Pin 2: 2.0V p-p TX, loud whistle, MIKE GAIN full on. IC501, Pin 5: 0.25V p-p sine wave, 100uV 30% mod. input sig. |
| <u>AM MODULATOR</u> | TP7,8,9: 8.0V p-p sine wave, TX, loud whistle, MIKE GAIN max. | TP7,8,9: 12.0V p-p sine wave, TX, loud whistle, MIKE GAIN max. | TP6,7,8: 8.0V p-p sine wave, TX, loud whistle, MIKE GAIN max. |

SEMI CONDUCTOR PIN CONFIGURATION



- 2SA733-P
- 2SC945A-Q
- 2SC1674-L
- 2SC1675-L
- 2SC1730-L
- 2SC1973
- 2SD471-L

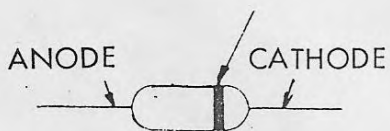


- 2SA473-0
- 2SA1012-0
- 2SC2166-C *Driver*
- 2SC2312-C *Final*
- MRF477
- 2SB754



- 2SB525-C
- 2SC2086-D
- 2SD355

CATHODE MARK

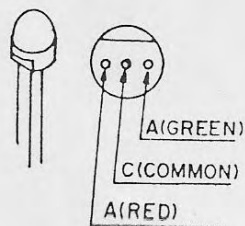


- 1N60-AM
- MC - 301
- 1N4003
- MV - 201
- 1S2339G
- RD5.1EB2
- RD7.5EB2
- KB262
- 1S2075K

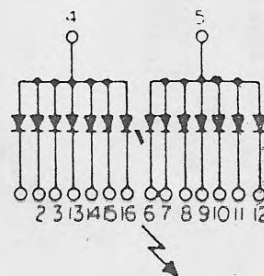
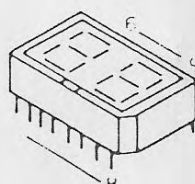


A + C -

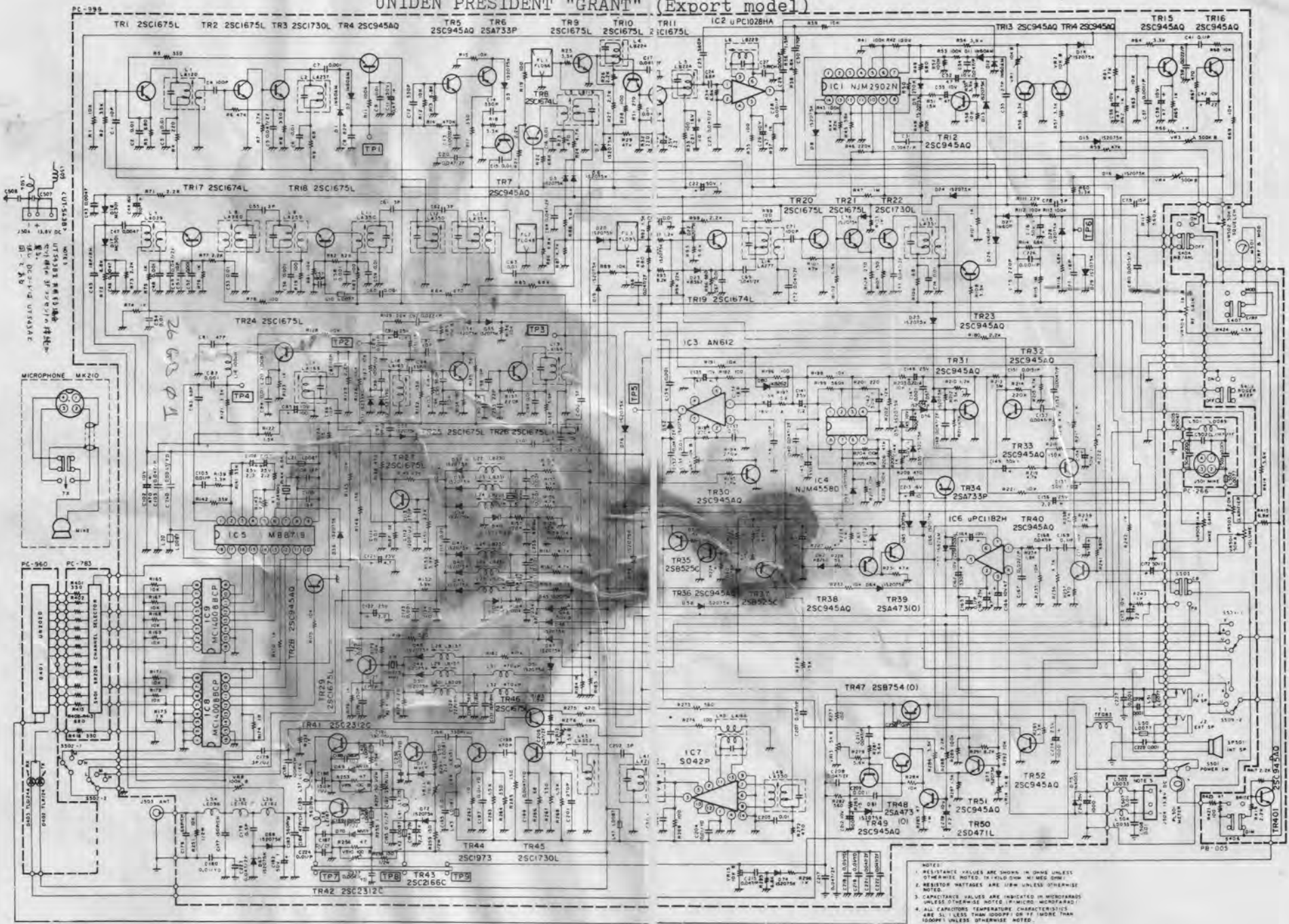
TLRG 101



UR202



UNIDEN PRESIDENT "GRANT" (Export model)



- NOTES
1. RESISTANCE VALUES ARE SHOWN IN OHMS UNLESS OTHERWISE NOTED. IN FIELD OHMS IN REG. OHMS.
 2. RESISTOR MATRICES ARE USED UNLESS OTHERWISE NOTED.
 3. CAPACITANCE VALUES ARE INDICATED IN MICROFARADS UNLESS OTHERWISE NOTED. IF IN MICRO, MICROFARAD.
 4. ALL CAPACITORS TEMPERATURE CHARACTERISTICS ARE ALL LESS THAN 100PPM OR IF MORE THAN 100PPM UNLESS OTHERWISE NOTED.