



Quality Forged : Precision Machined



CDT DRIVESHAFTS

COMPLETE AUTOMOTIVE DRIVESHAFTS

CDT DRIVESHAFTS

COMPLETE AUTOMOTIVE DRIVESHAFTS



Quality Forged : Precision Machined

SHAFTS

| ITEM | MAKE/MODEL | YEAR | TYPE | OE NUMBER | CROSSOVER 1 | CROSSOVER 2 | CROSSOVER 3 |
|-------------------|-------------------------------------|-----------|-------------|--|-------------|-------------|-------------|
| BUICK | | | | | | | |
| CDT-B-0409 | Buick Enclave | 2008-2011 | Rear Shaft | 25995545 / 25995544 | 651000 | | |
| CADILLAC | | | | | | | |
| CDT-B-0365 | Cadillac CTS 4DR | 2004-2007 | Rear Shaft | 25773495 / 25773497 | 651002 | | |
| CDT-B-0364 | Cadillac SRX 4DR | 2004-2009 | Rear Shaft | 25771590 / 25761954 | | | |
| CHEVROLET | | | | | | | |
| CDT-B-0373 | Chevrolet Equinox 1LT/2LT/LS/LT/LTZ | 2007-2009 | Rear Shaft | 15801608 / 19328628 / 20811303 / 25793000 / 25918054 | DSE008 | 946035 | |
| CDT-B-0409 | Chevrolet Traverse | 2009-2011 | Rear Shaft | 25995545 / 25995544 | 651000 | | |
| DODGE | | | | | | | |
| CDT-A-0421 | Dodge Dakota 24-1/4" | 2001-2006 | Front Shaft | 52105981AC | 659514 | | |
| CDT-A-0404 | Dodge Dakota 26-1/4" | 2001-2007 | Front Shaft | 52105982AC | 659151 | ZDS9151 | |
| CDT-A-0404 | Dodge Durango | 2001-2003 | Front Shaft | 52105982AC | 659151 | ZDS9151 | |
| CDT-A-0100 | Dodge Ram 1500 | 2002-2012 | Front Shaft | 52105990AB / 52123021AC | ZDS9198 | | |



CDT-A-0404/0421



CDT-A-0100



CDT-B-0373



CDT-B-0364/0365



CDT-B-0409

CDT DRIVESHAFTS

COMPLETE AUTOMOTIVE DRIVESHAFTS



Quality Forged : Precision Machined

SHAFTS

| ITEM | MAKE/MODEL | YEAR | TYPE | OE NUMBER | CROSSOVER 1 | CROSSOVER 2 | CROSSOVER 3 |
|-------------------|-----------------------------|-----------|-------------|---|----------------|----------------|----------------|
| FORD | | | | | | | |
| CDT-B-0544 | Ford 500 | 2008-2009 | Front Shaft | 8G1Z-4R602-B | 652003 | 5F9Z4R602AA | |
| CDT-B-0415 | Ford Edge | 2007-2013 | Rear Shaft | DT4Z4R602A / DT4Z4R602AFC | DSED07 | F2G34K145CC | |
| CDT-B-0370 | Ford Escape | 2001-2007 | Rear Shaft | 7L8Z-4R602-A / SA5625100L / ZC025100A | DSES01 | ZDS9463 | 659463 |
| CDT-B-0381 | Ford Escape | 2001-2004 | Rear Shaft | 2L8Z4R602AA / YL844602AM / SA5525100M | DSES01 | 8L844K145DA | 659463 |
| CDT-B-0371 | Ford Escape (Non-Hybrid) | 2008-2012 | Rear Shaft | 8L8Z4R602C / ZC225100 / 8L844K145DA | DSTR08 | 936892 | BL8Z4R602A |
| CDT-A-0071 | Ford Explorer | 2002-2005 | Front Shaft | 1L2Z-4A376-AA / 1L2Z-4A376-AB / 1L2Z-4A376-AE | DSES01 | 659462 | 936327 |
| CDT-A-0072 | Ford Explorer | 1997-2001 | Front Shaft | F77A4376CB / XL2Z-4A376-BA / XL2Z-4A376-BB | DSES02 | 659293 | 936813 |
| CDT-B-0544 | Ford Explorer | 2011-2015 | Front Shaft | 8G1Z-4R602-B | 652003 | | |
| CDT-B-0544 | Ford Taurus | 2008-2015 | Front Shaft | 8G1Z-4R602-B | 652003 | | |



CDT-A-0071/0072



CDT-B-0370/0371/0381



CDT-B-0544



CDT-B-0415

CDT DRIVESHAFTS

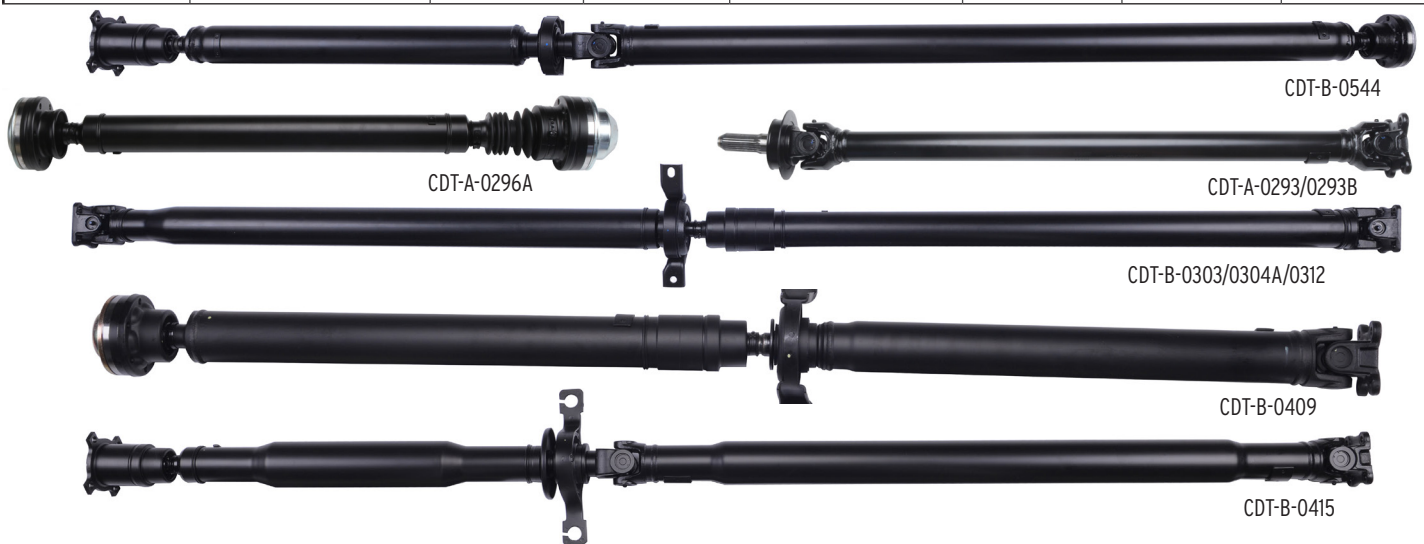
COMPLETE AUTOMOTIVE DRIVESHAFTS



Quality Forged : Precision Machined

SHAFTS

| ITEM | MAKE/MODEL | YEAR | TYPE | OE NUMBER | CROSSOVER 1 | CROSSOVER 2 | CROSSOVER 3 |
|--------------------|---|-----------|-------------|---|----------------|----------------|----------------|
| GMC | | | | | | | |
| CDT-B-0409 | GMC Acadia | 2007-2011 | Rear Shaft | 25995545 / 25995544 | 651000 | | |
| HONDA | | | | | | | |
| CDT-B-0303 | Honda CRV RD | 2002-2006 | Rear Shaft | 40100-S9A-E01 / 40100-SCA-A01 | DSCR02 | 936001 | 654000 |
| CDT-B-0312 | Honda CRV RD1 | 1997-2001 | Rear Shaft | 40100-S10-A01 | DSCR97 | 654002 | |
| CDT-B-0304A | Honda CRV RE | 2007-2011 | Rear Shaft | 40100-SWA-A01 / 40100-SXS-A01 | DSCR07 | 654001 | |
| CDT-B-0304B | Honda CRV RM | 2012-2014 | Rear Shaft | 40100-T0A-A01 | DSCR12 | | |
| INFINITI | | | | | | | |
| CDT-A-0293 | Infiniti FX35/FX45 AWD | 2003-2008 | Front Shaft | 37200-CL70A | 938320 | SK938820 | |
| CDT-A-0293B | Infiniti G37 AWD | 2009-2013 | Front Shaft | 37200-1CA1A | 938321 | | |
| JEEP | | | | | | | |
| CDT-A-0296A | Jeep Liberty 3.7L Manual W-W 16-3/8" | 2002-2007 | Front Shaft | 52111596AA / 52111596AB / 52111594AA | ZDS9326 | 659324 | |
| LINCOLN | | | | | | | |
| CDT-B-0544 | Lincoln MKS | 2009-2015 | Front Shaft | 8G1Z-4R602-B | 652003 | | |
| CDT-B-0415 | Lincoln MKX | 2007-2013 | Rear Shaft | DT4Z4R602A / DT4Z4R602AFC | DSED07 | F2G34K145CC | |
| MAZDA | | | | | | | |
| CDT-A-0071 | Mazda Tribute | 2001-2007 | Front Shaft | 1L2Z-4A376-AA / 1L2Z-4A376-AB / 1L2Z-4A376-AE | DSES01 | | |
| CDT-B-0370 | Mazda Tribute | 2001-2007 | Rear Shaft | 7L8Z-4R602-A / SA5625100L / ZZC025100A | DSES01 | ZDS9463 | 659463 |
| CDT-B-0381 | Mazda Tribute MT | 2001-2004 | Rear Shaft | 2L8Z4R602AA / YL844602AM / SA5525100M | DSES01 | 8L844K145DA | 659463 |



CDT DRIVESHAFTS

COMPLETE AUTOMOTIVE DRIVESHAFTS



Quality Forged : Precision Machined

SHAFTS

| ITEM | MAKE/MODEL | YEAR | TYPE | OE NUMBER | CROSSOVER 1 | CROSSOVER 2 | CROSSOVER 3 |
|--------------------|---------------------------------|-----------|-------------|--|-------------|-------------|-------------|
| MERCURY | | | | | | | |
| CDT-B-0370 | Mercury Mariner | 2001-2007 | Rear Shaft | 7L8Z-4R602-A / SA5625100L / ZC025100A | DSES01 | ZDS9463 | 659463 |
| CDT-B-0371 | Mercury Marquis AT | 2008-2011 | Rear Shaft | 8L8Z4R602C / ZC225100 / 8L844K145DA | DSTR08 | 936893 | BL8Z4R602A |
| CDT-B-0544 | Mercury Montego | 2008-2009 | Front Shaft | 8G1Z-4R602-B | 652004 | 5F9Z4R602AA | |
| CDT-A-0072 | Mercury Mountaineer | 1997-2001 | Front Shaft | F77A4376CB / XL2Z-4A376-BA / XL2Z-4A376-BB | DSES02 | 659294 | 936813 |
| CDT-B-0544 | Mercury Sable | 2008-2009 | Front Shaft | 8G1Z-4R602-B | 652003 | | |
| MITSUBISHI | | | | | | | |
| CDT-A-0404 | Mitsubishi Raider | 2006 | Front Shaft | 52105982AC | 659151 | ZDS9151 | |
| CDT-A-0421 | Mitsubishi Raider | 2006 | Front Shaft | 52105981AC | 659514 | | |
| NISSAN | | | | | | | |
| CDT-B-0610 | Nissan Rogue 2.5L | 2010-2013 | Rear Shaft | 37100-JM10A | 656000 | | |
| PONTIAC | | | | | | | |
| CDT-B-0373 | Pontiac Torrent Base/ GXP | 2007-2009 | Rear Shaft | 15801608 / 19328628 / 20811303 / 25793000 / 25918054 | DSEQ08 | 946035 | |
| SATURN | | | | | | | |
| CDT-B-0409 | Saturn Outlook | 2007-2010 | Rear Shaft | 25995545 / 25995544 | | | |
| TOYOTA | | | | | | | |
| CDT-A-0242A | Toyota 4 Runner | 2003-2009 | Front Shaft | 37110-6A440 | 655016 | 938791 | 655003 |
| CDT-A-0242B | Toyota 4 Runner 2700CC | 2010-2013 | Front Shaft | 37110-6A520 | 655004 | 655002 | |
| CDT-C-0338 | Toyota Highlander 6 Cyl 3.5L | 2008-2013 | Rear Shaft | 37100-48030 | DSHI08 | 655006 | |
| CDT-B-0315 | Toyota RAV 4 | 2006-2011 | Rear Shaft | 37100-42090 | DSRA06 | 655000 | |
| CDT-B-0316 | Toyota RAV 4 | 2000-2005 | Rear Shaft | 37100-42060 | DSRA06 | 655001 | |



CDT DRIVESHAFTS

COMPLETE AUTOMOTIVE DRIVESHAFTS



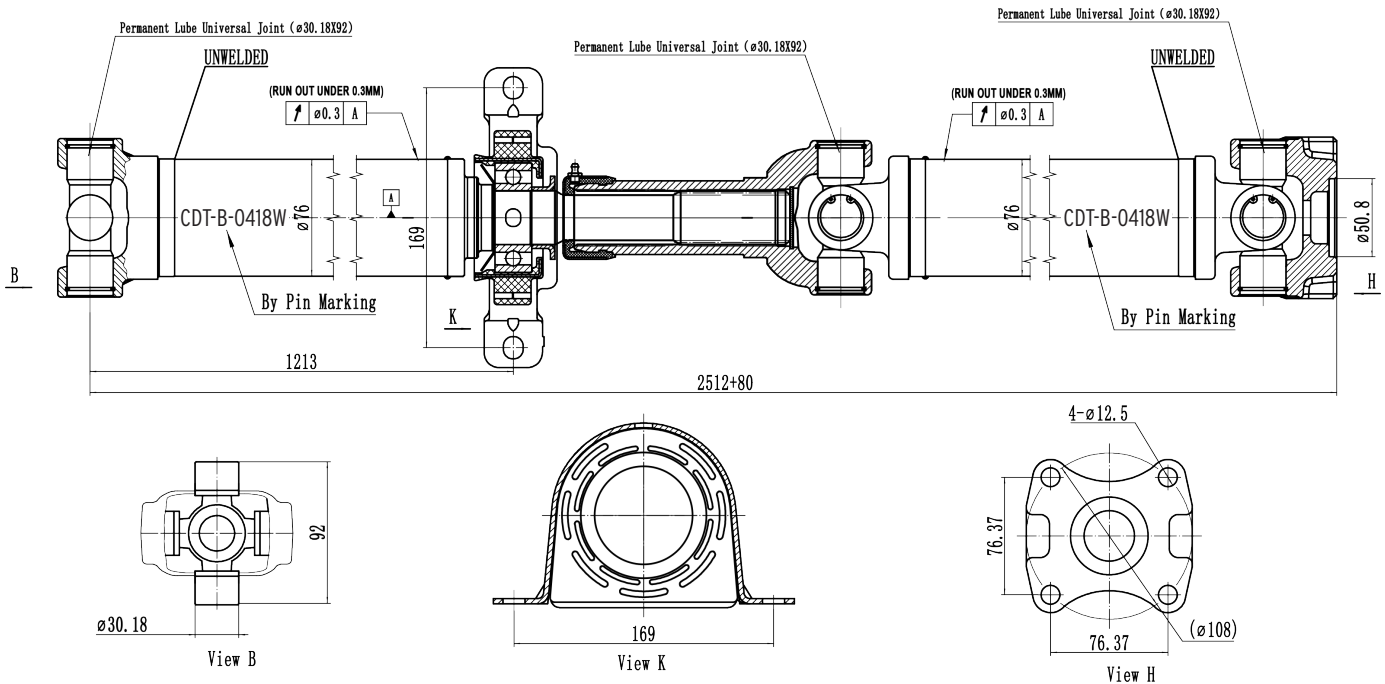
Quality Forged : Precision Machined

SPECIAL SHAFTS

| ITEM | MAKE/MODEL | TYPE |
|--------------------|------------|---|
| DODGE | | |
| CDT-A-0091Z | Dodge | Unwelded Front Shaft |
| FORD | | |
| CDT-B-0418Z | Ford | 2 Piece Welded Rear Shaft with U-Joints |
| CDT-B-0418W | Ford F150 | Unwelded Rear Shaft with Permalube U-Joints |
| CDT-A-0114Z | Ford | Unwelded Front Shaft |
| JEEP | | |
| CDT-A-0261Z | Jeep | Unwelded Front Shaft |



CDT-A-0261



CDT-B-0418W

CDT DRIVESHAFTS

COMPLETE AUTOMOTIVE DRIVESHAFTS



Quality Forged : Precision Machined

CV REPAIR KITS

| ITEM | MAKE/MODEL | YEAR | TYPE | CROSSOVER |
|-------------------|---------------------|-----------|-------|-----------|
| CHEVY | | | | |
| CDT-21-1016 | Chevy Equinox | 2005-2006 | Front | 452-80 |
| DODGE | | | | |
| CDT-20-0040 | Dodge | 2001-2006 | Rear | 361-80D |
| FORD | | | | |
| CDT-21-020D | Ford | 1997-2011 | Front | 456-80 |
| CDT-21-025D | Ford Escape | 2001-2007 | Front | 454-80 |
| JEEP | | | | |
| CDT-20-001D | Jeep Cherokee | 1999-2004 | Rear | 361-80 |
| CDT-21-001D | Jeep Cherokee | 1999-2004 | Front | 361-80B |
| CDT-20-0040 | Jeep Grand Cherokee | 2005-2010 | Rear | 361-80D |
| CDT-20-001D | Jeep Liberty | 2002-2007 | Rear | 361-80 |
| CDT-20-0040 | Jeep Liberty | 2002-2007 | Rear | 361-80D |
| CDT-21-001D | Jeep Liberty | 2002-2007 | Front | 361-80B |
| CDT-20-001D | Jeep Wrangler | 2007-2016 | Rear | 361-80 |
| LINCOLN | | | | |
| CDT-21-020D | Lincoln | 2003-2005 | Front | 456-80 |
| MAZDA | | | | |
| CDT-21-020D | Mazda | 1998-2008 | Front | 456-80 |
| CDT-21-025D | Mazda Tribute | 2001-2006 | Front | 454-80 |
| MERCURY | | | | |
| CDT-21-020D | Mercury | 1998-2005 | Front | 456-80 |
| CDT-21-025D | Mercury Mariner | 2005-2007 | Front | 454-80 |
| MITSUBISHI | | | | |
| CDT-20-0040 | Mitsubishi | 2006 | Rear | 361-80D |





Quality Forged : Precision Machined



Quality Forged : Precision Machined

1665 Shawson Dr • Mississauga, ON L4W1T7
Phone: (905) 564-5800 | Toll Free: 1(800) 668-6012
www.cdt driveshaft.com

Brought to you by:
 **DRIVE**
PRODUCTS
SOLUTIONS / PARTNERS / SERVICES