

# 5C TUBULAR

## CUSTOM BUILD PROGRAM

**T=2033NM (1500 lb-ft)**

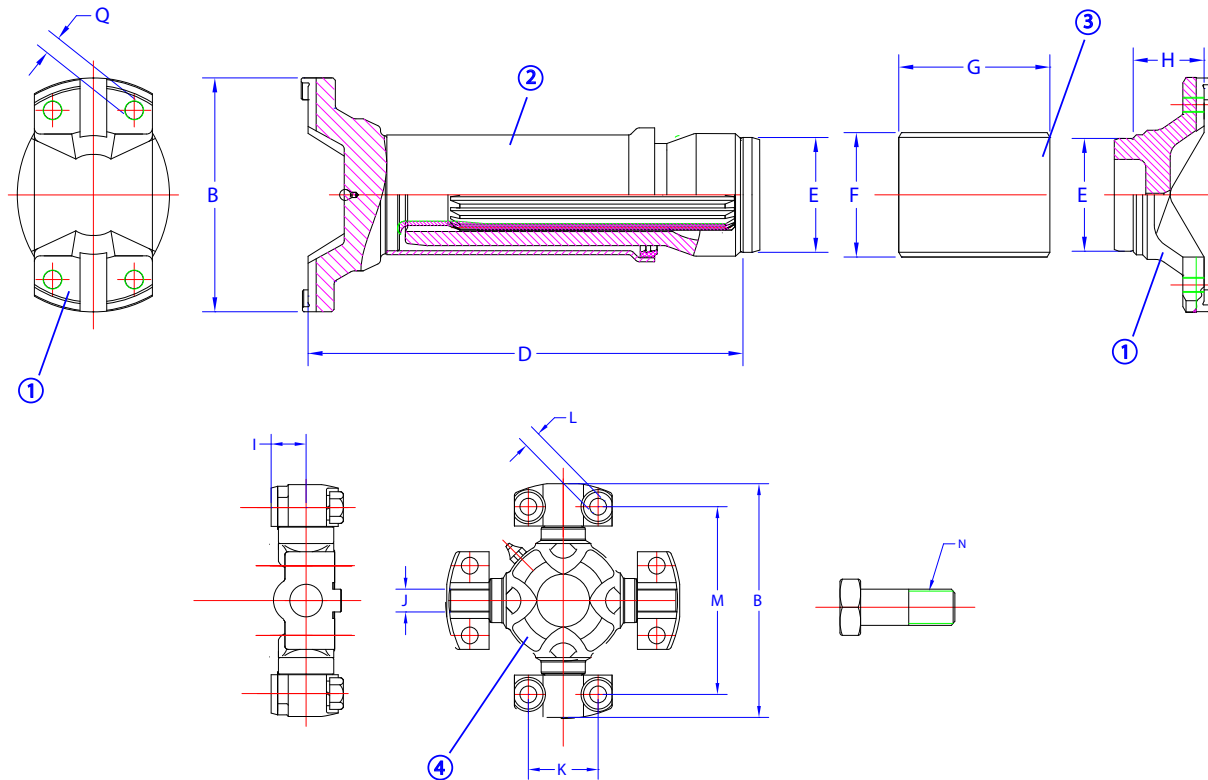
Maximum Allowable Slip - 4.25"/105mm

Dimensions	Metric (mm)	Imperial (in)
"A" Minimum Compressed Length	292	11.50
"B" (Length)	121.4	4.78
"D" (Length)	217	8.55
"E" (Length)	57.62	2.27
"F" (Length)	63.5	2.5
"G" (Length)	Min. 35	Min. 1.38
"H" (Length)	40	1.57
"I" (Length)	17.5	0.69
"J" (Length)	14.2	0.56
"K" (Length)	42.9	1.69
"L" (Length)	10.5	0.41
"M" (Length)	88.9	3.5

Part Number	Description
<b>1</b> DPI-5C-WY-2.5/120	Weld Yoke
<b>2</b> DPI-5C-YS/SS	Slip Assembly
<b>3</b> 2.5 x 0.120	Tubing
<b>4</b> CDT-114-5177 (Qty2)	HWD Universal Joint
<b>5</b> DPI-5C-TUBULAR-WIAB	Wing in a Box Complete Kit

Dimension	Metric (mm)	Imperial (in)
Tube to Fit	63.5mm x 3.05mm	2.5" x 0.120"
Q - Bolt Holes	3/8" - 24 UNF-2B	
N - Bolt Size	3/8" - 24UNF, Grade 8	
Bolt Torque	50-66 N-m	37-49 lb-ft

For all applications requiring a longer slip, please contact Customer Service.



# 6C TUBULAR

## CUSTOM BUILD PROGRAM

**T=244NM (1950 lb-ft)**

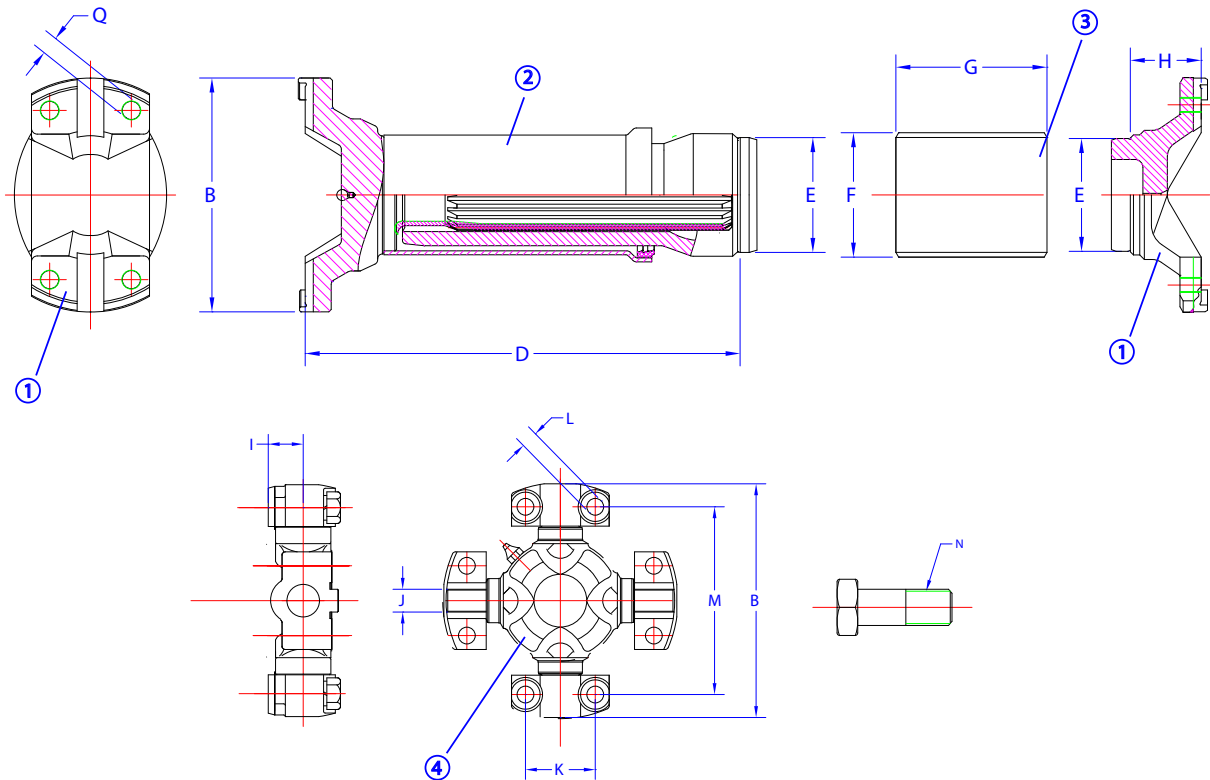
Maximum Allowable Slip - 5"/125mm

Dimensions	Metric (mm)	Imperial (in)
"A" Minimum Compressed Length	350	13.78
"B" (Length)	148.3	5.84
"D" (Length)	270	10.63
"E" (Length) 3.0"	71.59	2.82
3.5"	82.31	3.24
"F" (Length)	76.2	3.00
"G" (Length)	Min. 35	Min. 1.38
"H" (Length)	45	1.77
"I" (Length)	17.5	0.69
"J" (Length)	14.2	0.56
"K" (Length)	42.9	1.69
"L" (Length)	10.5	0.41
"M" (Length)	114.3	4.5

Part Number			Description
3.0" Diameter	3.5" Diameter (Heavy Duty)		
1	DPI-6C-WY-3.0/095	DPI-6C-WY-3.5/134	Weld Yoke
2	DPI-6C-YS/SS	DPI-007-6C-YS/SS	Slip Assembly
3	3.0" x 0.095"	3.5" x 0.134"	Tubing
4	CDT-114-6128 (2pcs)	CDT-114-6128 (2pcs)	HWD Universal Joint
5	DPI-6C-TUBULAR-WIAB	DPI-6C-TUBULAR-HD-WIAB	Wing in a Box Complete Kit

Dimension	Metric (mm)	Imperial (in)
Tube to Fit	6.2mm x 2.4mm 88.9mm x 3.4mm	3.0" x 0.095" 3.5" x 0.134"
Q - Bolt Holes	3/8" - 24 UNF-2B	
N - Bolt Size	3/8" - 24UNF, Grade 8	
Bolt Torque	50-66 N-m	37-49 lb-ft

For all applications requiring a longer slip, please contact Customer Service.



# 7C TUBULAR

## CUSTOM BUILD PROGRAM

**T=4203NM (3100 lb-ft)**

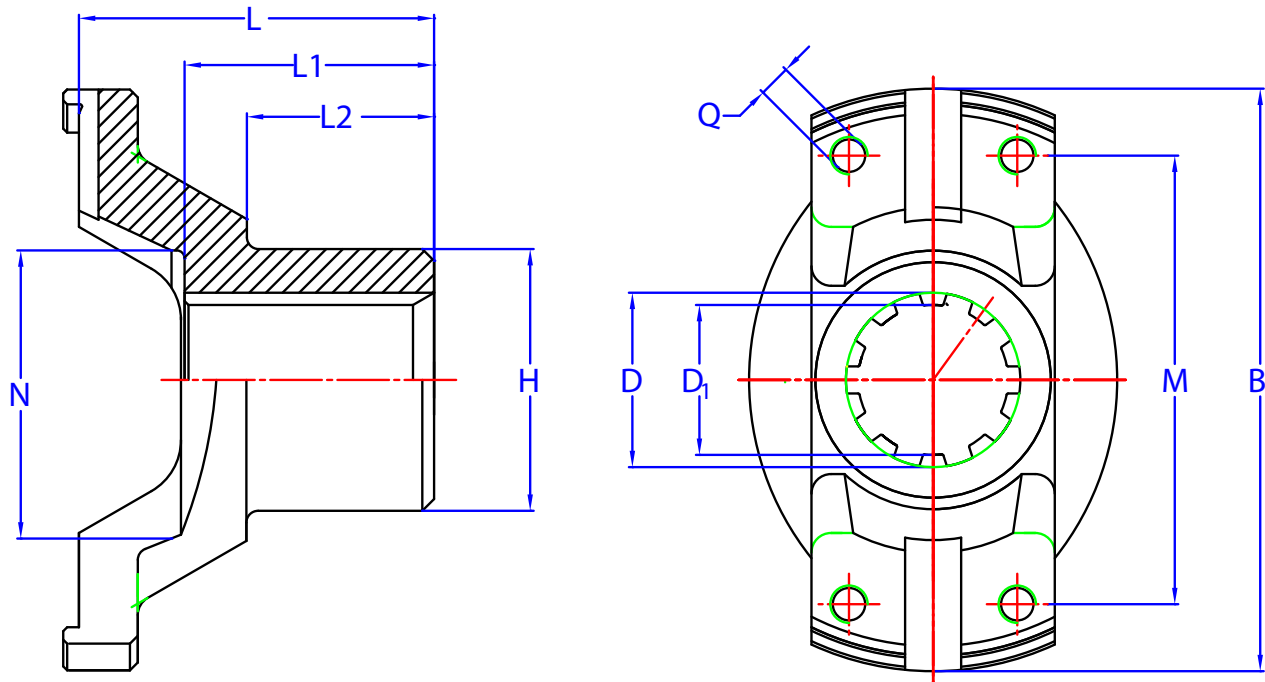
Maximum Allowable Slip - 5"/125mm

Dimensions	Metric (mm)	Imperial (in)
"A" Minimum Compressed Length	362	14.25
"B" (Length)	158	6.22
"D" (Length)	270	10.63
"E" (Length)	82.31	3.24
"F" (Length)	88.90	3.5
"G" (Length)	Min. 35	Min. 1.38
"H" (Length)	57	2.24
"I" (Length)	20.6	0.81
"J" (Length)	15.7	0.62
"K" (Length)	49.3	1.94
"L" (Length)	13.5	0.53
"M" (Length)	117.3	4.62

Part Number	Description
<b>1</b> DPI-7C-WY-3.5/134	Weld Yoke
<b>2</b> DPI-7C-YS/SS	Slip Assembly
<b>3</b> 3.5" x 0.134"	Tubing
<b>4</b> CDT-114-7126 (2pcs)	HWD Universal Joint
<b>5</b> DPI-7C-TUBULAR-WIAB	Wing in a Box Complete Kit

Dimension	Metric (mm)	Imperial (in)
Tube to Fit	88.9mm x 3.4mm	3.5" x 0.134"
Q - Bolt Holes	1/2" - 20 UNF-2B	
N - Bolt Size	1/2" - 20UNF, Grade 8	
Bolt Torque	88-101.67 N-m	65-75 lb-ft

For all applications requiring a longer slip, please contact Customer Service.

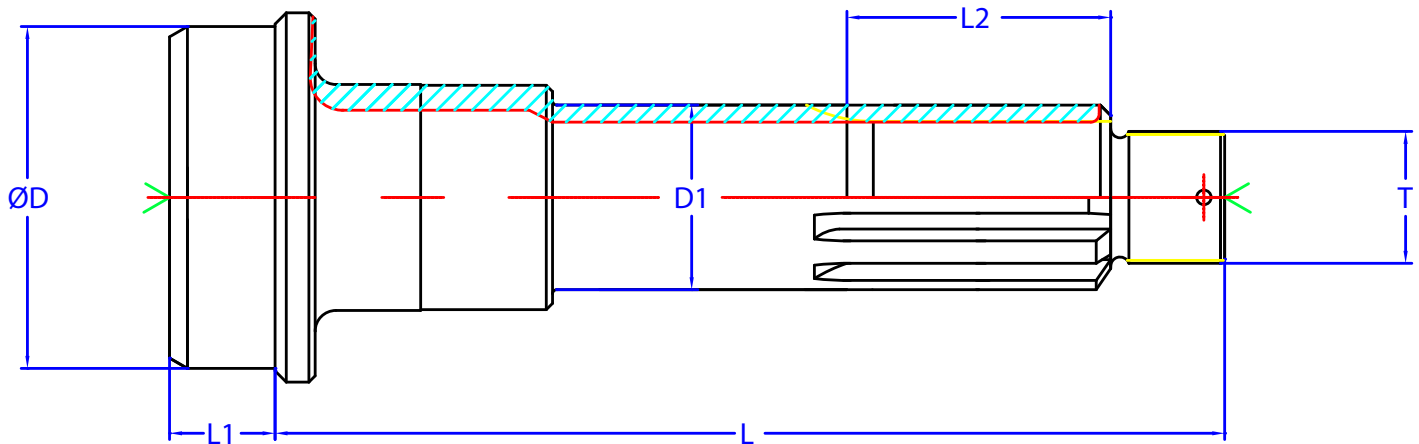


# END YOKE

## CUSTOM BUILD PROGRAM

Part Number	N C'Bore Diameter (mm)	L Overall Length (mm)	L1 Length of Spine (mm)	L2 Length of Hub (mm)	H Hub Diameter	D Major Diameter	D <sub>1</sub> Minor Diameter	M Length (mm)	B Earwork Size (mm)	Q Bolt Holes	Deflection Angle
DPI-5C-EY-10SP-TH*	2.6" (66)	3.19" (81)	2" (51)	1.14" (29)	2.44" (62)	1.75" (44.45)	1.502" (38.15)	3.5" (88.9)	4.78" (121.4)	3/8" - 24 UNF-2B	25°
DPI-6C-EY-10SP-TH*	2.6" (66)	3.56" (90.5)	2.5" (63.5)	1.88" (47.7)	2.63" (66.7)	1.75" (44.45)	1.502" (38.15)	4.5" (114.3)	5.84" (148.3)	3/8" - 24 UNF-2B	25°
DPI-7C-EY-10SP-TH*	2.6" (66)	3.56" (90.5)	2.32" (59)	1.61" (41)	2.81" (71.3)	1.75" (44.45)	1.502" (38.15)	4.62" (117.3)	6.22" (158)	1/2" - 20 UNF-2B	25°

\*Threaded bolt holes

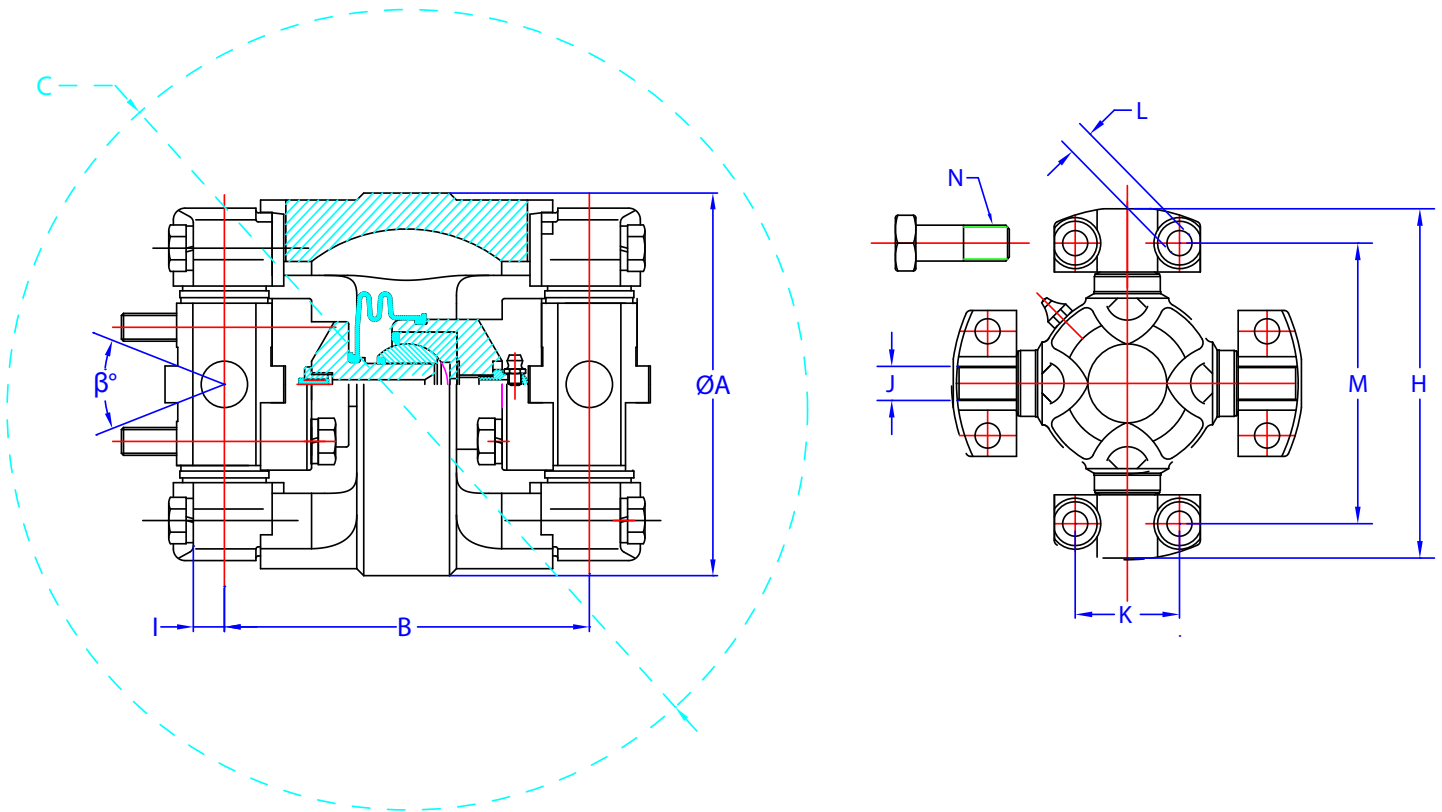


# MIDSHIP STUB

## CUSTOM BUILD PROGRAM

1 3/4 - 10 Spline

Part Number	Tube Size	D	L	L1	L2	D1	T
		Pilot Diameter (mm)	Length to Weld Point (mm)	Pilot Length (mm)	Spline Length (mm)	Bearing Diameter	Thread Size
DPI-1.75MS-10SP-3.5/134	3.5 x 134	3.232" (82)	9" (228.6)	1" (25.4)	2.5" (63.5)	1.75"	11/4-18UNF-2A
DPI-1.75MS-10SP-3.0/095	3.0 x 095	2.81" (71.4)	9" (228.6)	1" (25.4)	2.5" (63.5)	1.75"	11/4-18UNF-2A
DPI-2MS-10SP-3.5/134	3.5 x 134	3.232" (82)	9" (228.6)	1" (25.4)	2.5" (63.5)	2"	11/4-18UNF-2A
DPI-45MS-10DP-3.0/095	3.0 x 095	2.81" (71.4)	9" (228.6)	1" (25.4)	2.5" (63.5)	45mm	11/4-18UNF-2A
DPI-45MS-10SP-2.5/120	2.5 x 120	2.26" (57.4)	9" (228.6)	1" (25.4)	2.5" (63.5)	45mm	11/4-18UNF-2A



# CENTERED DOUBLE CV ASSEMBLY

## CUSTOM BUILD PROGRAM

Dimensions	Metric (mm)	Imperial (in)	Metric (mm)	Imperial (in)	Metric (mm)	Imperial (in)
	DPI-5CCVH-ASY		DPI-6C-CVH-ASY		DPI-7C-CVH-ASY	
Torq Values	2033 NM/1500 lb-ft		2644 NM/1950 lb-ft		4203NM/3100 lb-ft	
"A" (Diameter)	130	5.12	158	6.22	165	6.5
"B" (Length)	120	4.72	127	5.00	157.2	6.19
"C" (Rotational Diameter)	210	8.27	215	8.47	250	9.84
"β" (Deflection Angle)	43°		43°		43°	
"H" (Length)	121.4	4.78	148.3	5.84	158	6.22
"I" (Length)	17.5	0.69	17.5	0.69	20.6	0.81
"J" (Length)	14.2	0.56	14.2	0.56	15.7	0.62
"K" (Length)	42.9	1.69	42.9	1.69	49.3	1.94
"L" (Length)	10.5	0.41	10.5	0.41	13.5	0.53
"M" (Length)	88.9	3.5	114.3	4.5	117.3	4.62
N - Bolt Size	3/8" - 24 UNF, Grade 8		3/8" - 24 UNF, Grade 8		1/2" - 20 UNF, Grade 8	
Bolt Torque	50-66 N-m	37-49 lb-ft	50-66 N-m	37-49 lb-ft	88-101.7 N-m	65-75 lb-ft
U-Joint	114-5111-CV		114-6111-CV		114-7111-CV	

