

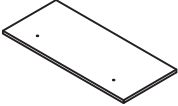




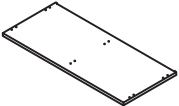
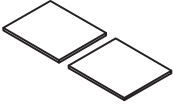
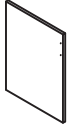




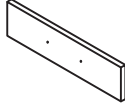
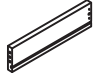


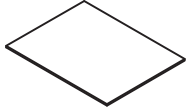


# Mid-Century Collection

## Bar Cabinet - Bottom Unit

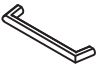




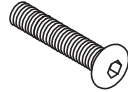



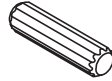
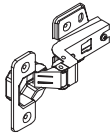
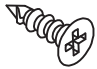






**Assembly Instructions for:**  
**KN008-B - Walnut/White**

**⚠️ WARNING:**  
ADULT ASSEMBLY REQUIRED - This product contains hardware that, before being assembled, can pose a choking hazard to children under the age of 3 years. Care should be taken when unpacking and assembling this product.

# PARTS LIST

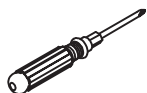
<p><b>A</b></p> 	<p><b>B</b></p> 	<p><b>C</b></p> 	<p><b>D</b></p> 	<p><b>E</b></p> 
<p>Top Panel 1 PC</p>	<p>Left Panel 1 PC</p>	<p>Partition Panel 1 PC</p>	<p>Right Panel 1 PC</p>	<p>Cross Rail 1 PC</p>
<p><b>F</b></p> 	<p><b>G</b></p> 	<p><b>H</b></p> 	<p><b>J</b></p> 	<p><b>K</b></p> 
<p>Bottom Panel 1 PC</p>	<p>Adjustable Shelf 2 PCS</p>	<p>Left Door 1 PC</p>	<p>Right Door 1 PC</p>	<p>Left Back Panel 1 PC</p>
<p><b>L</b></p> 	<p><b>M</b></p> 	<p><b>N</b></p> 	<p><b>P</b></p> 	<p><b>Q</b></p> 
<p>Right Back Panel 1 PC</p>	<p>Left Drawer Front 1 PC</p>	<p>Right Drawer Front 1 PC</p>	<p>Drawer Left Panel 2 PCS</p>	<p>Drawer Right Panel 2 PCS</p>
<p><b>R</b></p> 	<p><b>S</b></p> 	<p><b>T</b></p> 	<p><b>U</b></p> 	
<p>Drawer Back Panel 2 PCS</p>	<p>Drawer Bottom Panel 2 PCS</p>	<p>Leg 4 PCS</p>	<p>Center Leg 1 PC</p>	

## HARDWARE LIST

#1		#2		#3		#4		#5	
	Handle 4 PCS		Center Leg Plate 1 PC		Leg Attachment Plates 4 PCS		Cam Bolt 16 PCS (+1 Extra)		Cam Lock 16 PCS (+1 Extra)
#6		#7		#8		#9		#10	
	1/4"x50mm		1/4"x20mm		1/4"x11mm		1/4"x13mm		8x30mm
	Long Round Head Bolt 6 PCS (+1 Extra)		Short Bolt 28PCS (+1 Extra)		Spring Washer 6 PCS (+1 Extra)		Flat Washer 6 PCS (+1 Extra)		Wood Dowel 24 PCS (+1 Extra)
#11		#12		#13		#14		#15	
	Hinge 4 PCS		Flat Head Screw 24 PCS (+1 Extra)		Round Head Bolt 8 PCS (+1 Extra)		Short Screw 23 PCS (+1 Extra)		Barrel Nut 6 PCS (+1 Extra)
#16		#17		#18					
	Shelf Holder 8 PCS (+1 Extra)		Round Screw 8 PCS (+1 Extra)		Allen Wrench 1 PC				

## ADDITIONAL TOOLS (Not Provided)

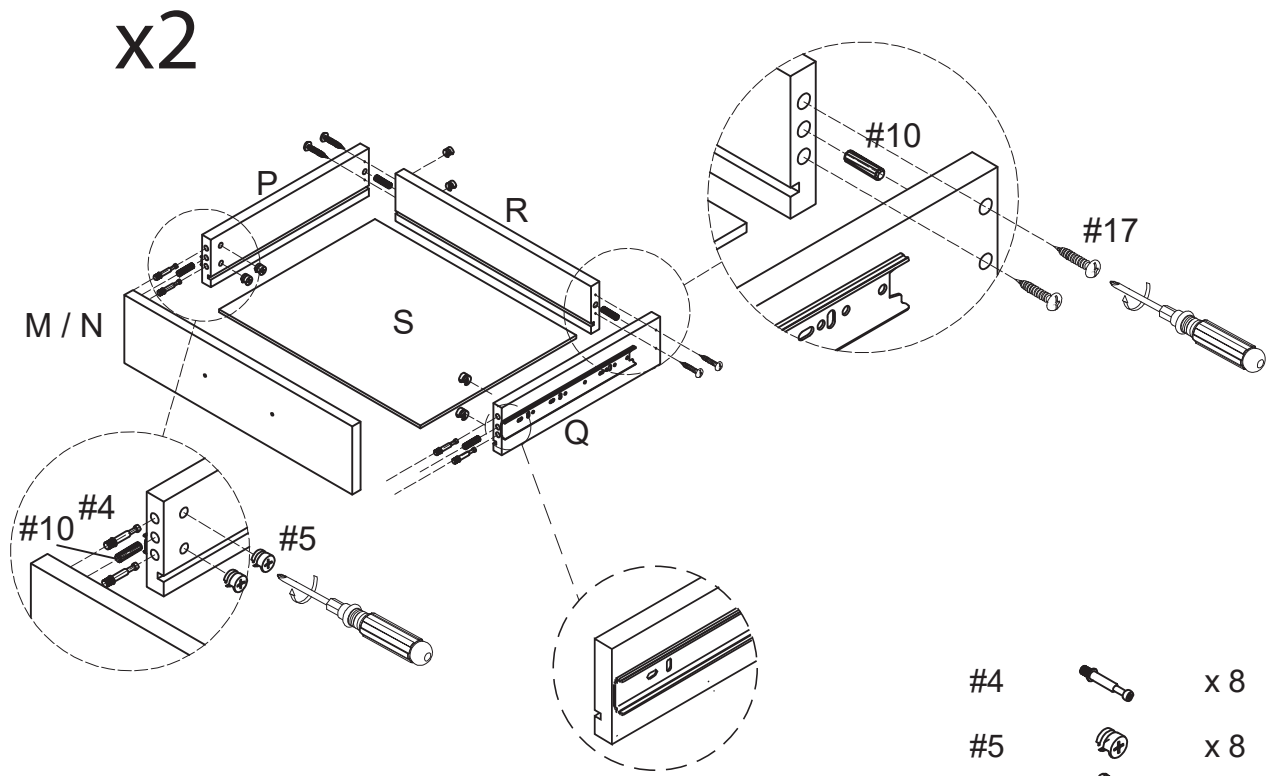
Note: It is not recommended to use power tools during assembly.



Phillips Head Screwdriver

Note: Wood dowels are intended for alignment. Additional clearance between wood dowel and pre-drilled hole is intentional for ease of assembly.

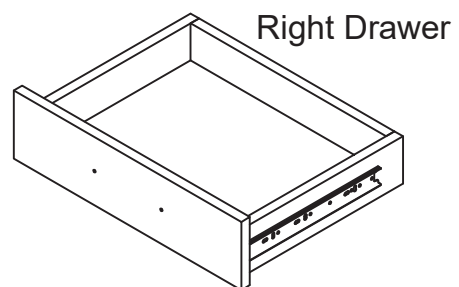
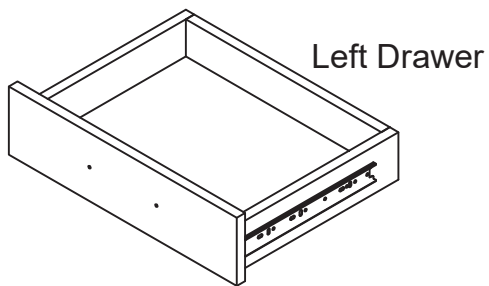
Step 1.



- |     |  |     |
|-----|--|-----|
| #4  |  | x 8 |
| #5  |  | x 8 |
| #10 |  | x 8 |
| #17 |  | x 8 |

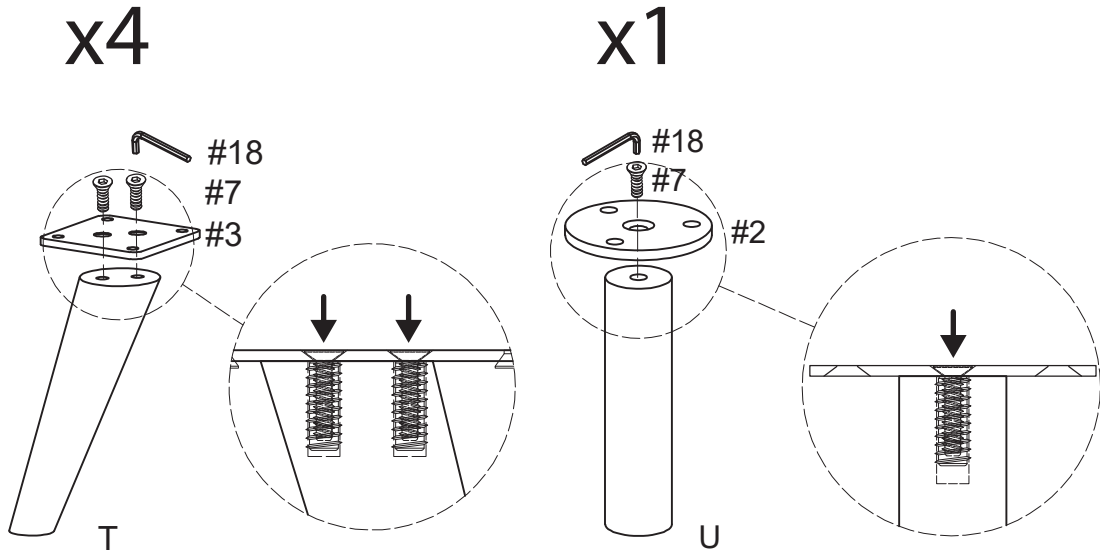
Note: Orient drawer side panels so the brackets are toward the front (panel L)

Step 2.



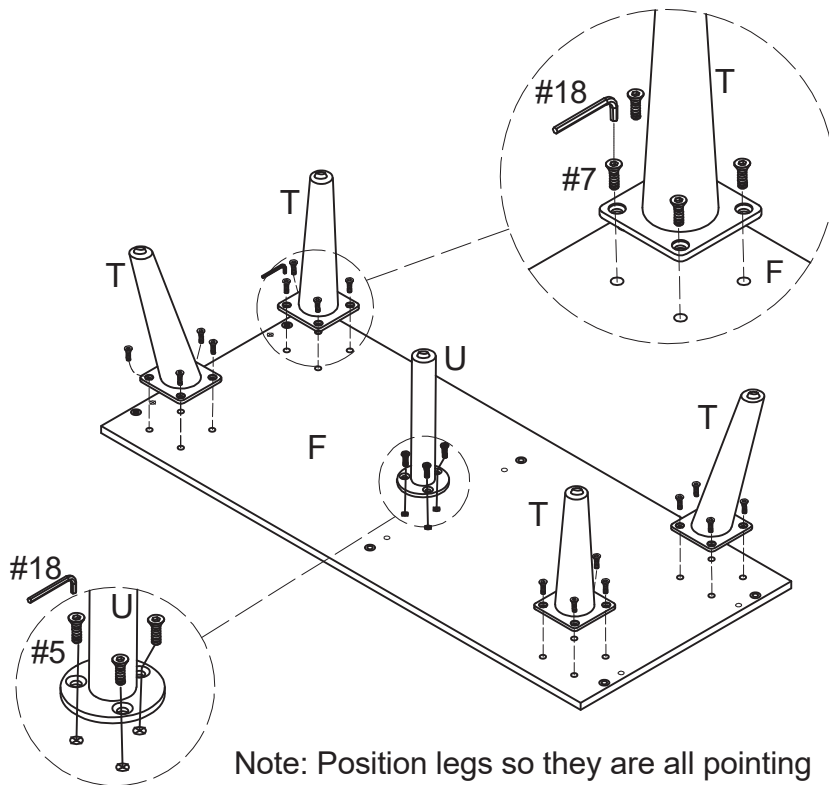
Step 3.

Note: Bolts to be fully seated and flush with the plate



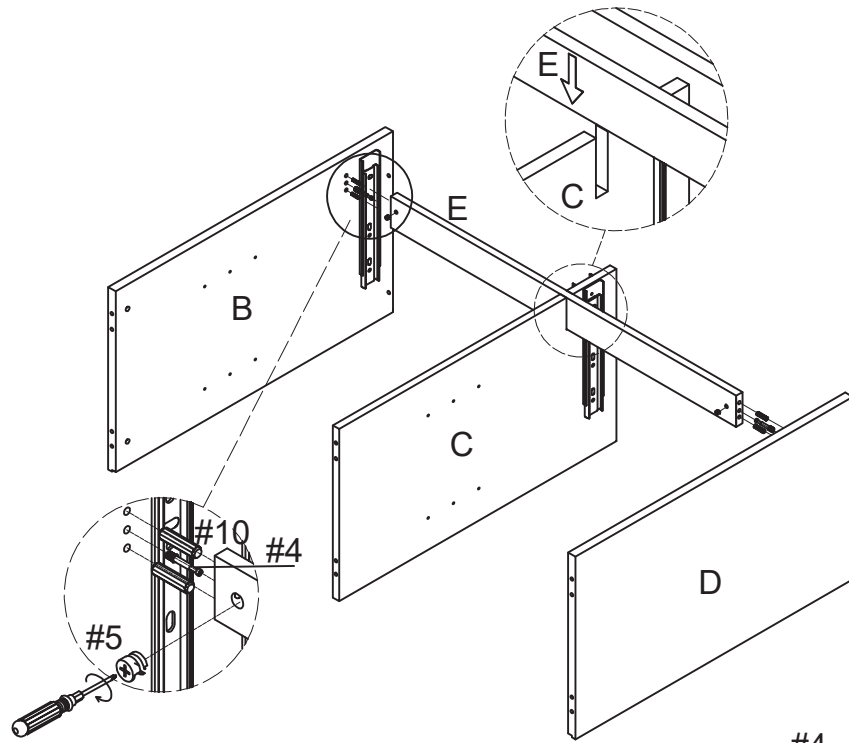
- |     |  |    |
|-----|--|----|
| #2  |  | x1 |
| #3  |  | x4 |
| #7  |  | x9 |
| #18 |  | x1 |

Step 4.



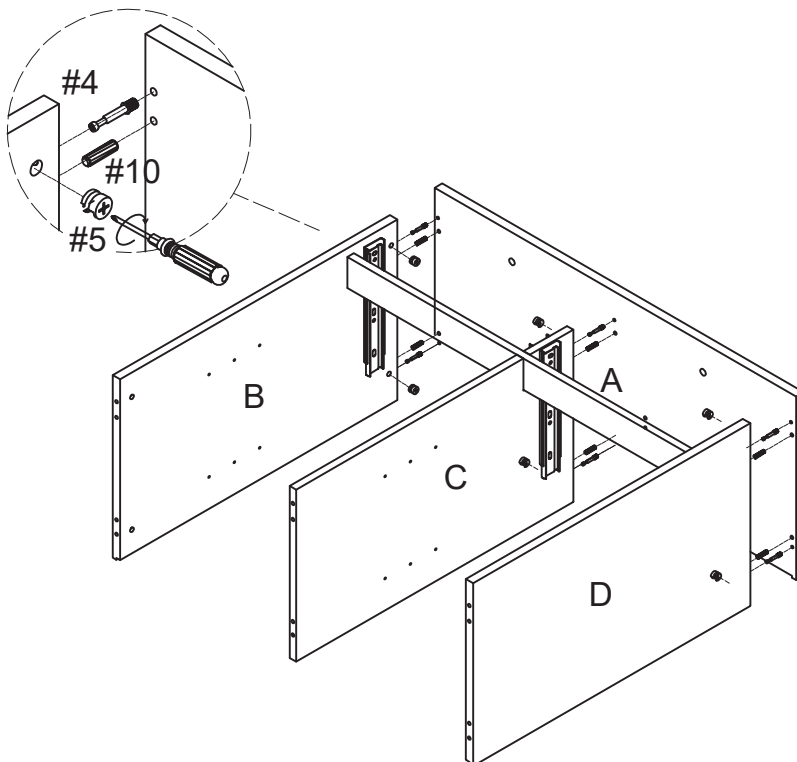
- |     |  |      |
|-----|--|------|
| #7  |  | x 19 |
| #18 |  | x 1  |




Step 5.



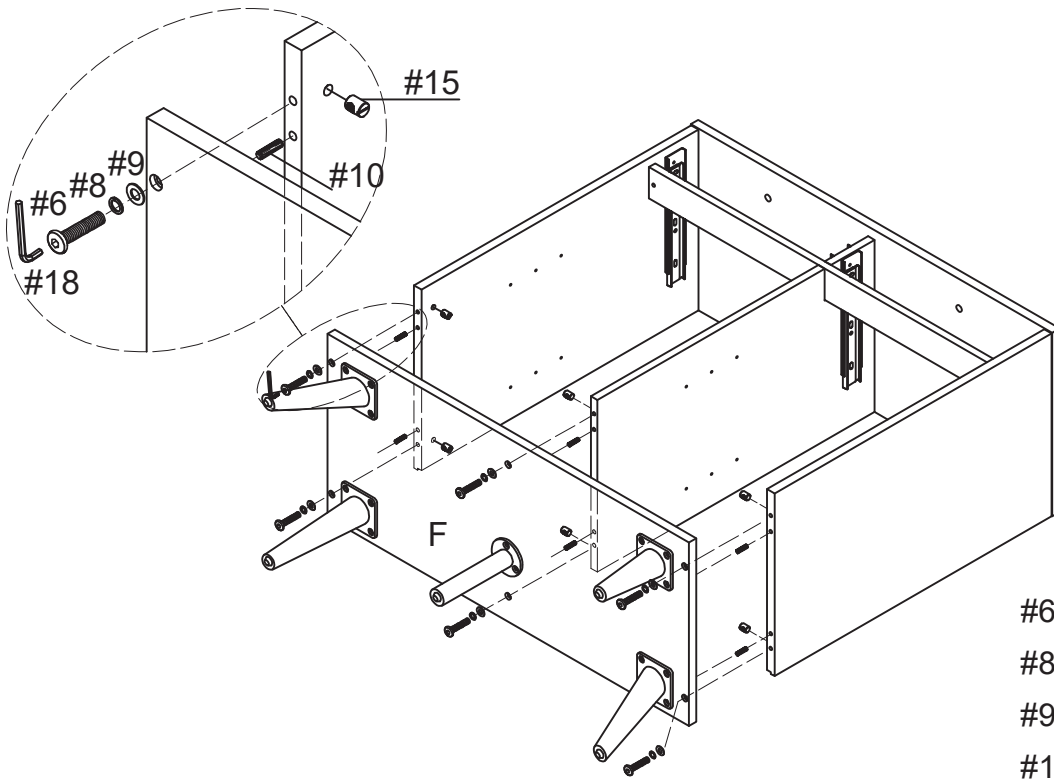
- |     |   |     |
|-----|---|-----|
| #4  |   | x 2 |
| #5  |  | x 2 |
| #10 |  | x 4 |







Step 6.



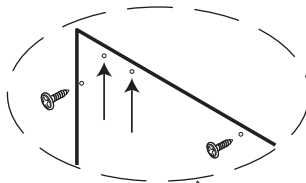
- |     |   |     |
|-----|---|-----|
| #4  |  | x 6 |
| #5  |  | x 6 |
| #10 |  | x 6 |

Step 7.

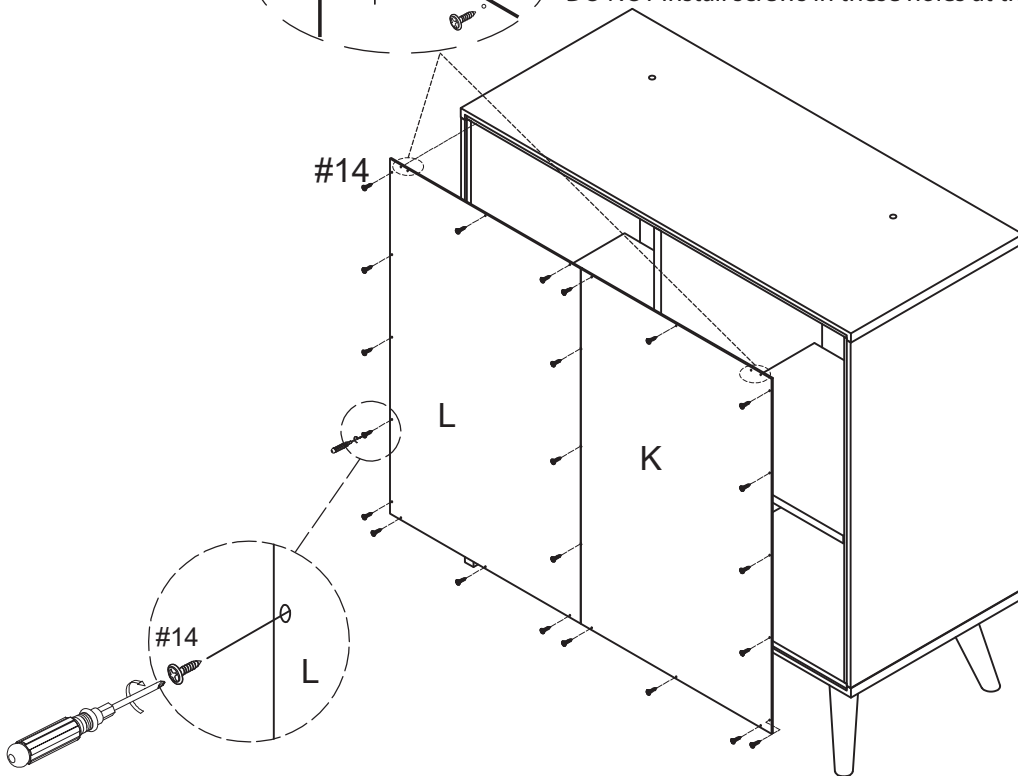


- |     |   |     |
|-----|---|-----|
| #6  |    | x 6 |
| #8  |    | x 6 |
| #9  |    | x 6 |
| #10 |   | x 6 |
| #15 |  | x 6 |
| #18 |  | x 1 |

Step 8.

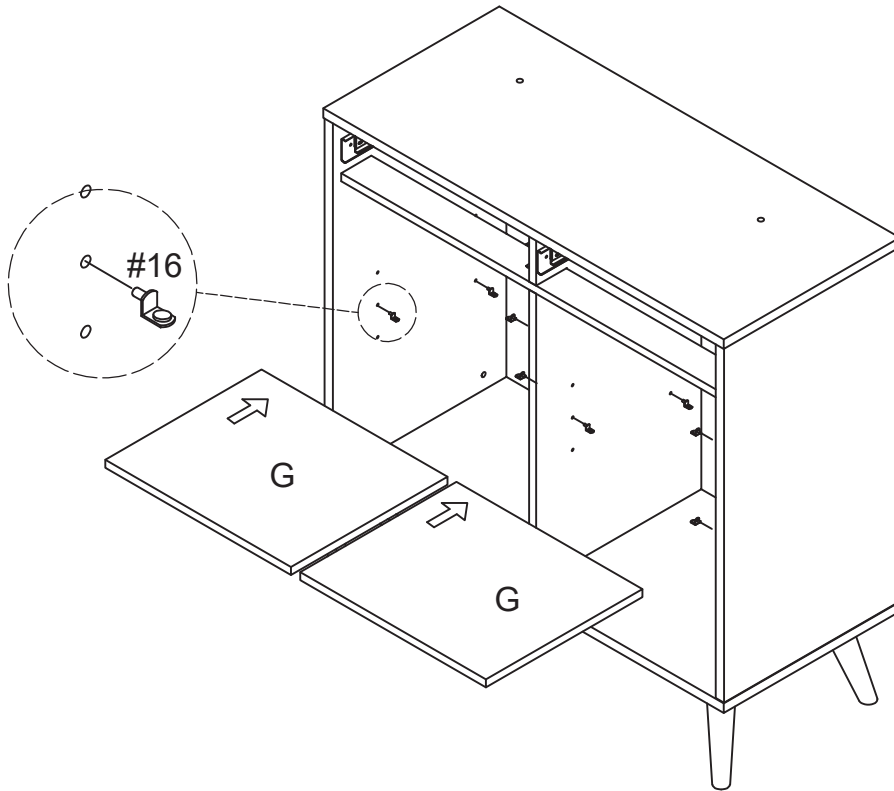


**IMPORTANT:**  
Keep "double holes" on top  
DO NOT install screws in these holes at this time



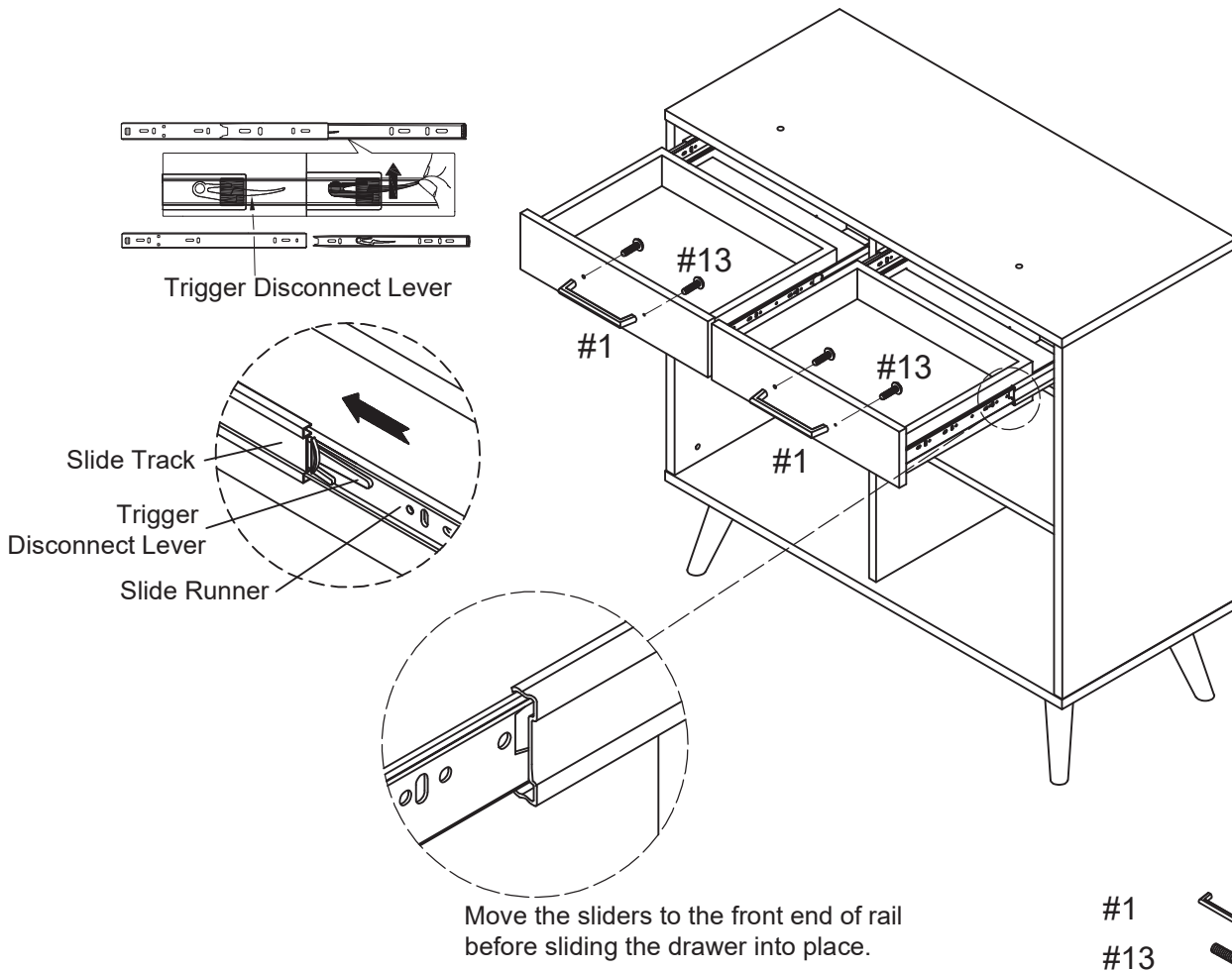
- |     |   |      |
|-----|---|------|
| #14 |  | x 23 |
|-----|---|------|

Step 9.



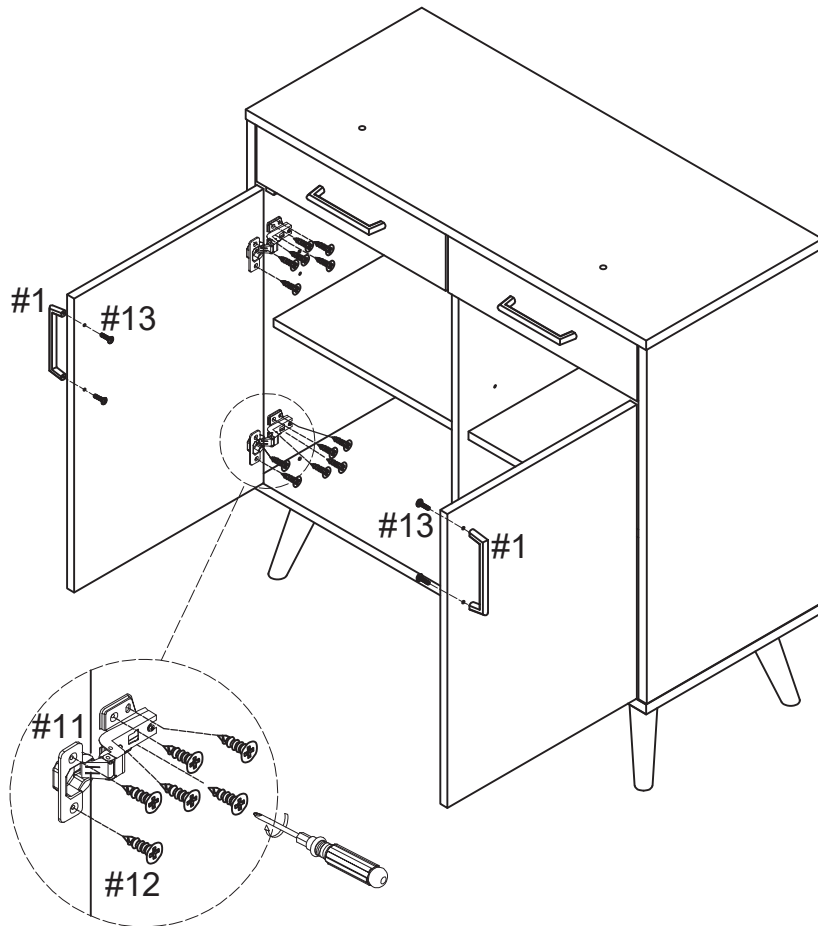
Step 10.

#16  x 8

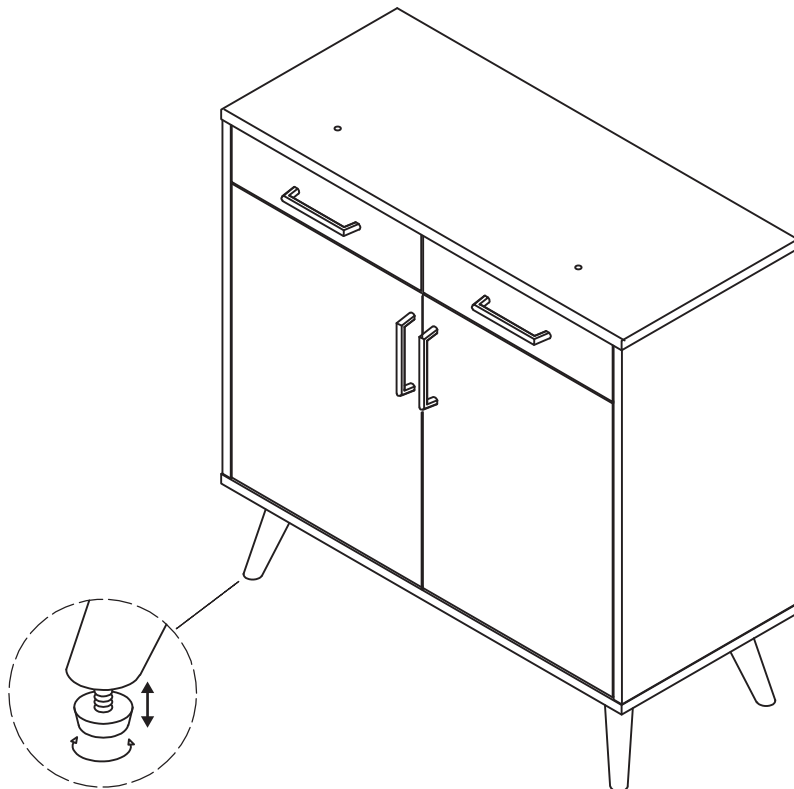




Step 11.



Step 12.



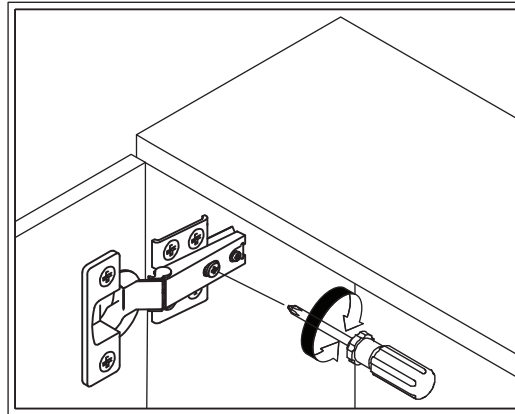
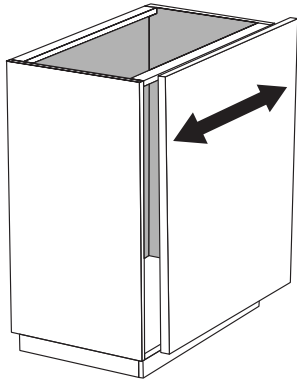
NOTE: It is important to adjust levelers once fully assembled and upright. Extend adjustable levelers until all four levelers are firmly in contact with the floor.

# Hinge Adjustment Instructions

## For Proper Door Alignment (optional)

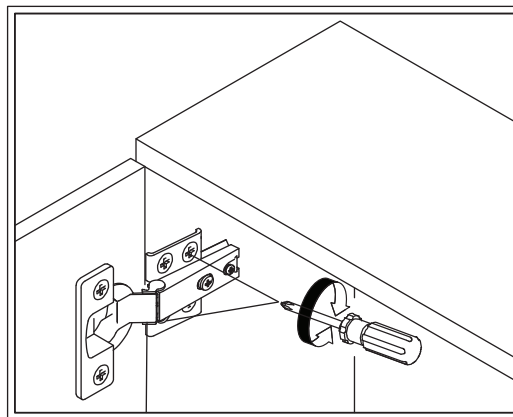
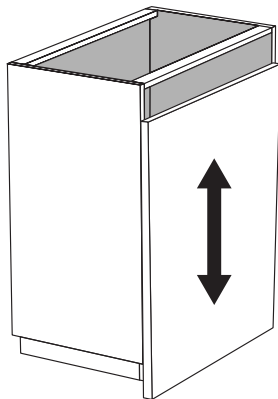
### Left - Right Adjustment

Tightening/Loosening the center screw in the hinge will move the door to the left and right



### Up - Down Adjustment

Loosen the screws attaching both hinges to the inner wall of the side panel.  
Shift the door and hinges up and down for best alignment.



### In - Out Adjustment

Loosen the screw on the end of both hinges. Shift the door in and out for best alignment.

