

# Mid-Century Collection

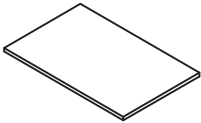
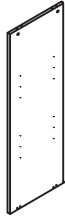

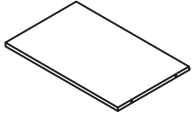



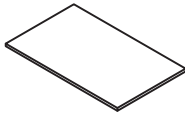
## Modular Storage Cabinet - Top Unit

**Assembly Instructions for:**  
**KN001 - Walnut/White**

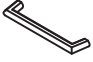


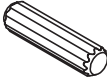

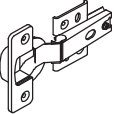
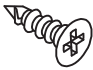











**⚠️ WARNING:**

**ADULT ASSEMBLY REQUIRED** - This product contains hardware that, before being assembled, can pose a choking hazard to children under the age of 3 years. Care should be taken when unpacking and assembling this product.

# PARTS LIST

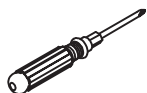
<b>A</b> 	<b>B</b> 	<b>C</b> 	<b>D</b> 	<b>E</b> 
Top Panel 1 PC	Left Panel 1 PC	Right Panel 1 PC	Bottom Panel 1PC	Left Door 1 PC
<b>F</b> 	<b>G</b> 	<b>H</b> 		
Right Door 1 PC	Back Panel 1 PC	Adjustable Shelf 2 PCS		

## HARDWARE LIST

#1 	#2 	#3 	#4  8x30mm	#5  4x22mm
Handle 2 PCS	Cam Bolt 8 PCS (+1 Extra)	Cam Lock 8 PCS (+1 Extra)	Wood Dowel 8 PCS (+1 Extra)	Round Head Bolt 4 PCS (+1 Extra)
#6 	#7  7x15mm	#8 	#9  8x12mm	#10 
Hinge 4 PCS	Flat Head Screw 24 PCS (+1 Extra)	Shelf Holder 8 PCS (+1 Extra)	Short Screw 22 PCS (+1 Extra)	Connecting Plate 2 PCS
#11  7x15mm	#12 	#13  6x15mm	#14  1/4"x25mm	#15  1/4"x 11mm
Screw 8 PCS (+1 Extra)	Double Magnet 1 PC	Round Head Screw 2 PCS (+1 Extra)	Bolt 1 PC (+1 Extra)	Spring Washer 1 PC (+1 Extra)
#16  1/4"x 13mm	#17  M4	#18 		
Flat Washer 1 PC (+1 Extra)	Allen Wrench 1 PC	Safety Strap Kit 1 SET		

## ADDITIONAL TOOLS (Not Provided)

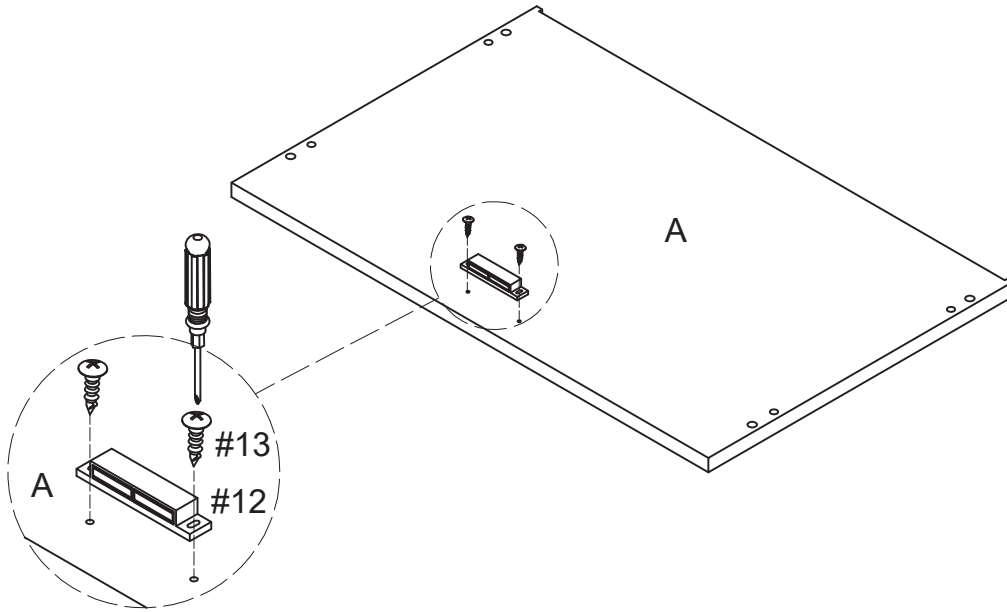
Note: It is not recommended to use power tools during assembly.



Phillips Head Screwdriver

Note: Wood dowels are intended for alignment. Additional clearance between wood dowel and pre-drilled hole is intentional for ease of assembly.

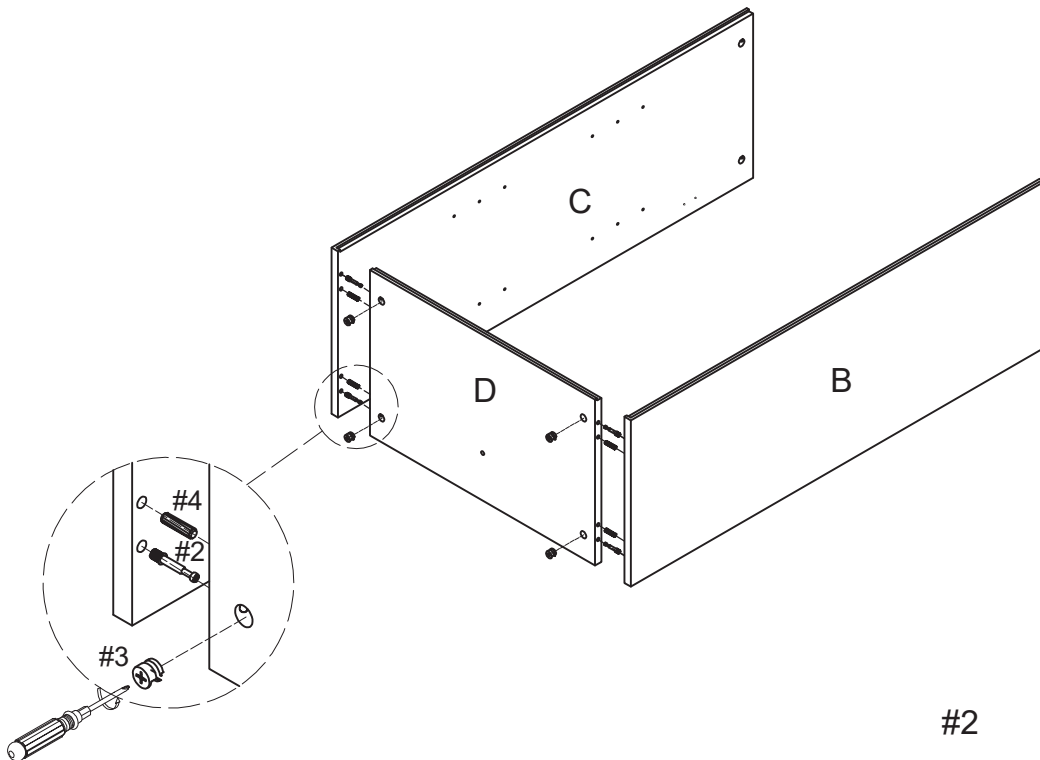
Step 1.



#12  x 1

#13  x 2

Step 2.

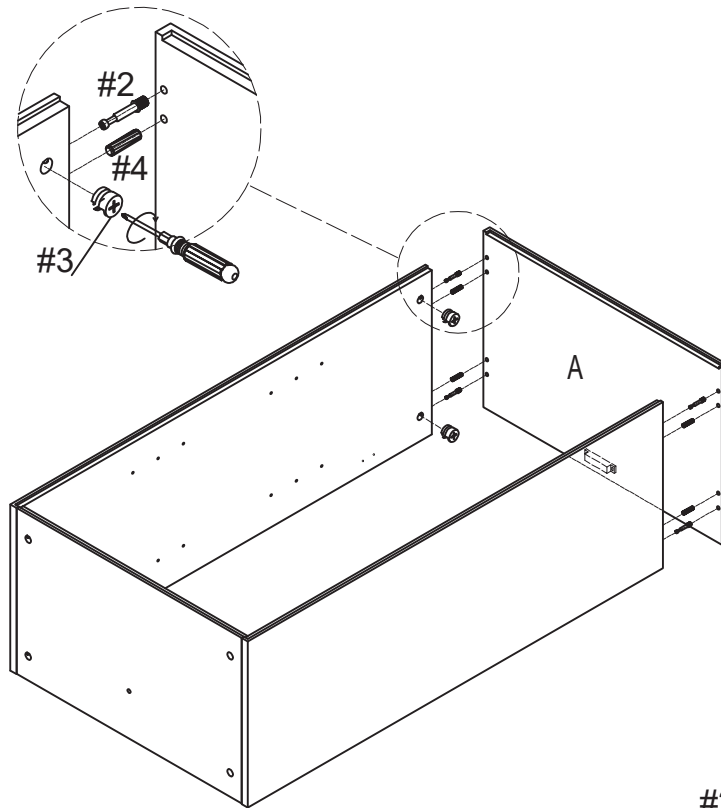


#2  x 4

#3  x 4

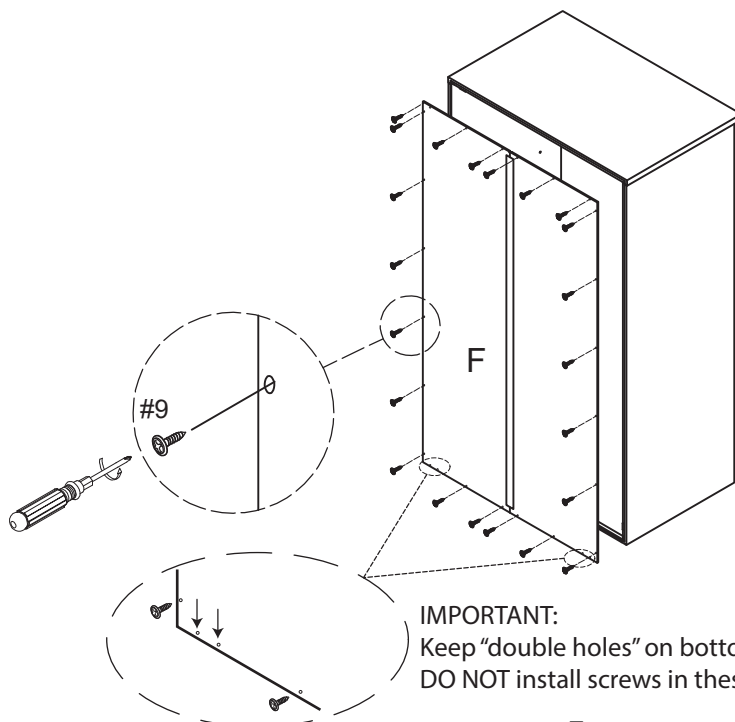
#4  x 4

Step 3.



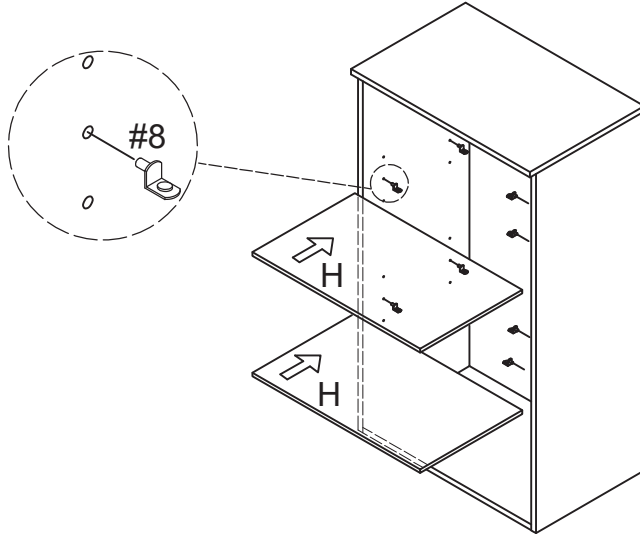
- |    |   |     |
|----|---|-----|
| #2 |   | x 4 |
| #3 |  | x 4 |
| #4 |  | x 4 |

Step 4.



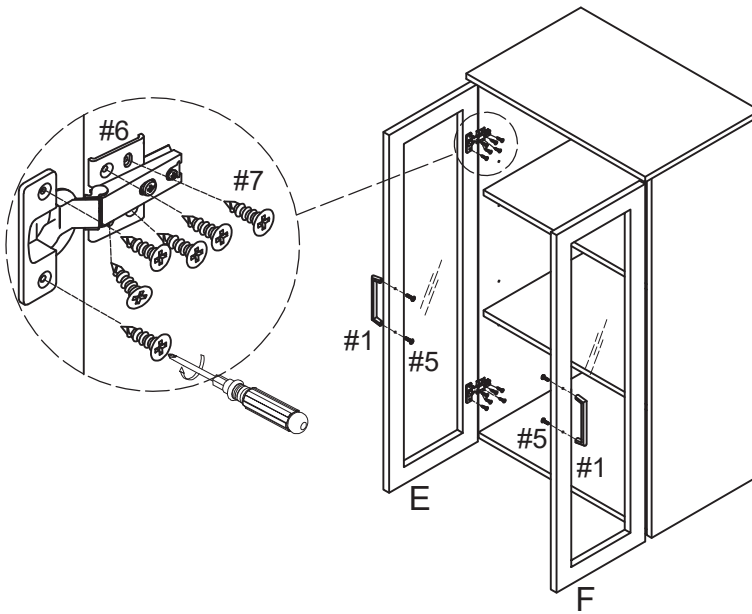
- |    |   |      |
|----|---|------|
| #9 |  | x 22 |
|----|---|------|

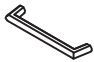

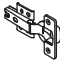

Step 5.



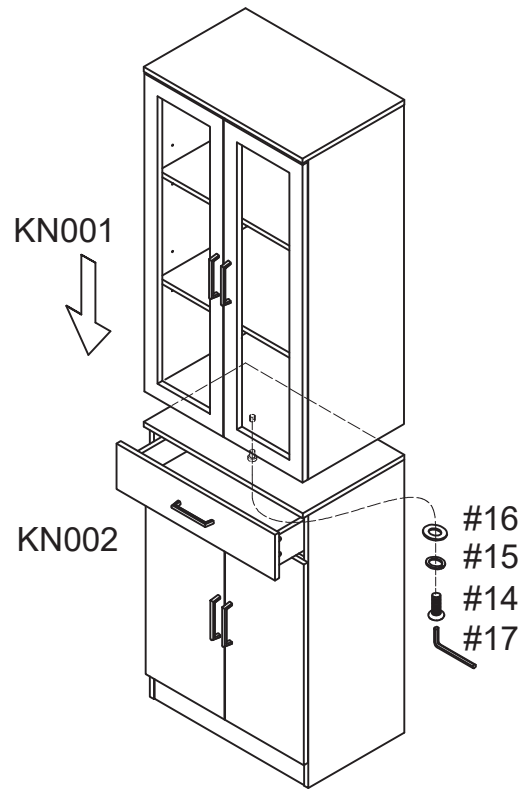
#8  x 8





Step 6.



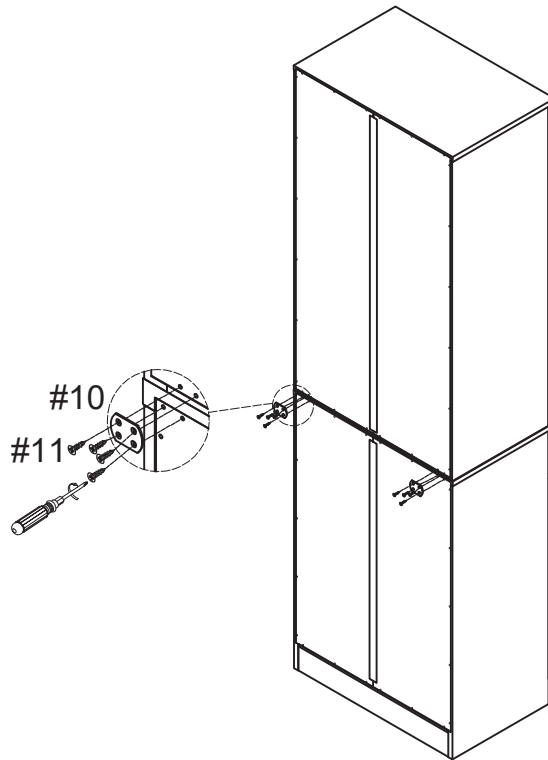
#1  x 2  
#5  x 4  
#6  x 4  
#7  x 24

Step 7.



- |     |   |     |
|-----|---|-----|
| #14 |    | x 1 |
| #15 |    | x 1 |
| #16 |   | x 1 |
| #17 |  | x 1 |






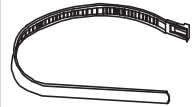
Step 8.



- |     |   |     |
|-----|---|-----|
| #10 |  | x 2 |
| #11 |  | x 8 |

#18

## Safety Strap Kit Includes:

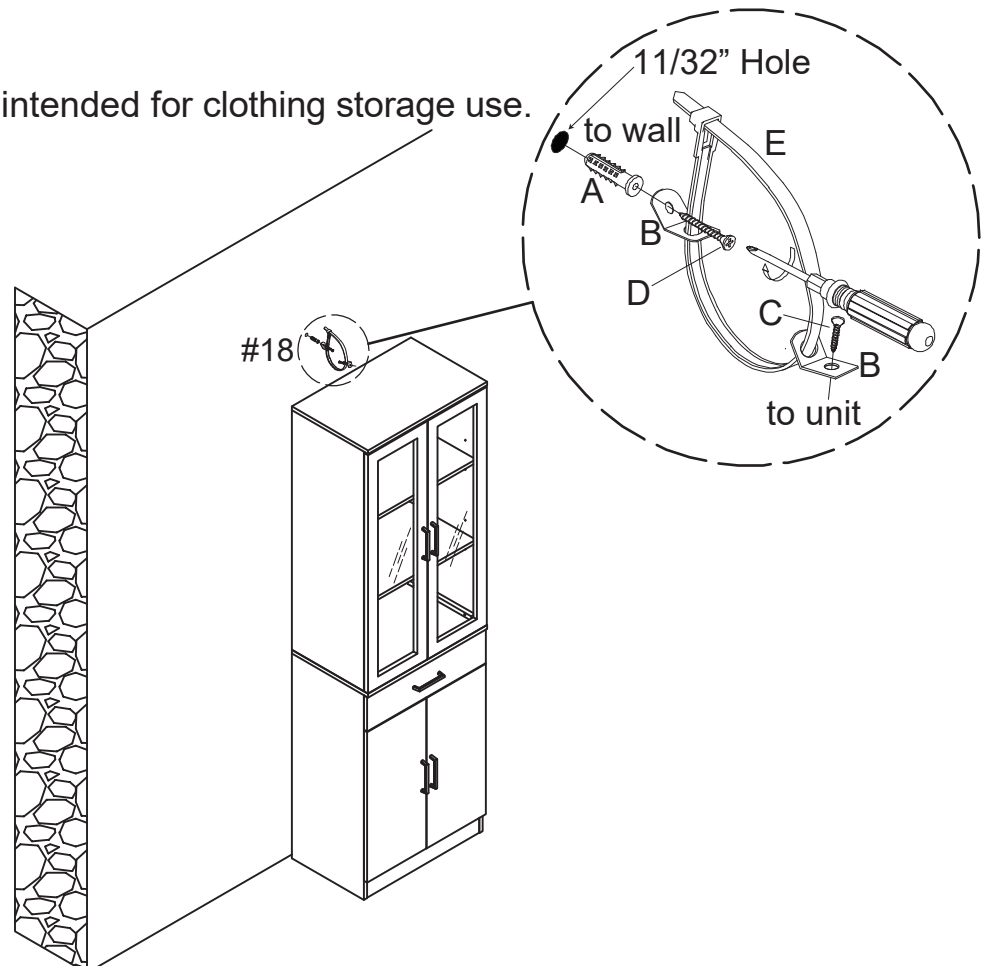
	A 	B 	C 	D 	E 
Safety Strap Kit 1 SET	Wall Anchor 1 PC	Bracket 2 PCS	8x15mm Short Screw 1 PC	8x35mm Long Screw 1 PC	Safety Wall Strap 1 PC

## SAFETY WALL STRAP INSTALLATION

Note: It is highly recommended to install this safety strap kit to prevent tipping, damage and/or injury.

1. Attach the 1st bracket (B) to the unit with a short screw (C). Bracket should be centered along a top edge of the unit, parallel to the wall. Position the bracket as high as possible on the unit, but without interfering with the function of the unit.
2. Place the unit against the wall where it is going to be. Note the location of the 1st bracket (B) on the unit, and mark the wall near the bracket where you want to place the 2nd bracket (B). To attach the 2nd bracket to the wall, drill a 1 1/32" hole into the wall where you want to secure the unit. Tap wall anchor (A) into the hole. Using long screw (D), secure the 2nd bracket (B) to the wall.
3. Insert the safety wall strap (E) through both bracket (B) and tighten. If the strap is not long enough to pass through both brackets and tighten, you will have to reposition the unit, or the wall anchor so it reaches.

Note: This item is not intended for clothing storage use.



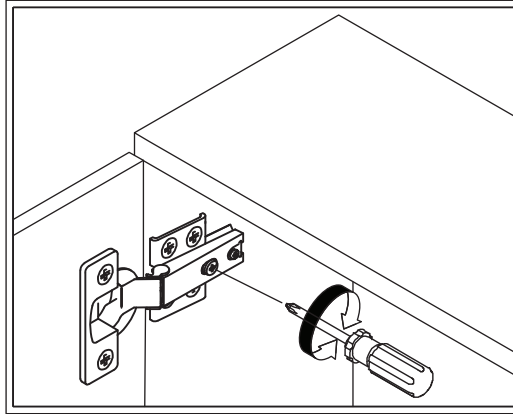
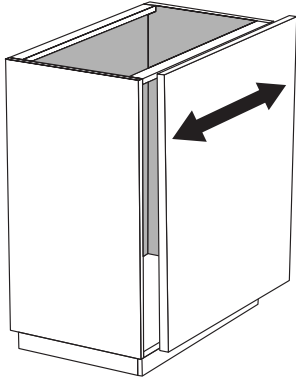


# Hinge Adjustment Instructions

## For Proper Door Alignment (optional)

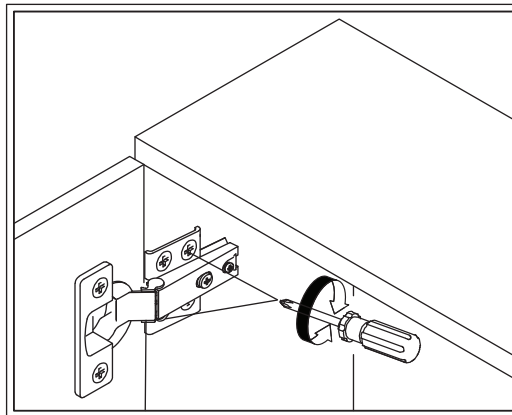
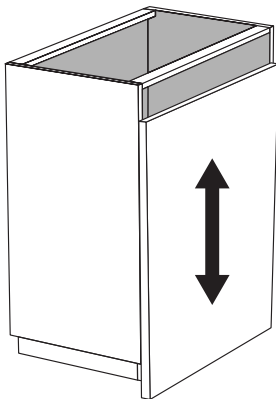
### Left - Right Adjustment

Tightening/Loosening the center screw in the hinge will move the door to the left and right



### Up - Down Adjustment

Loosen the screws attaching both hinges to the inner wall of the side panel.  
Shift the door and hinges up and down for best alignment.



### In - Out Adjustment

Loosen the screw on the end of both hinges. Shift the door in and out for best alignment.

