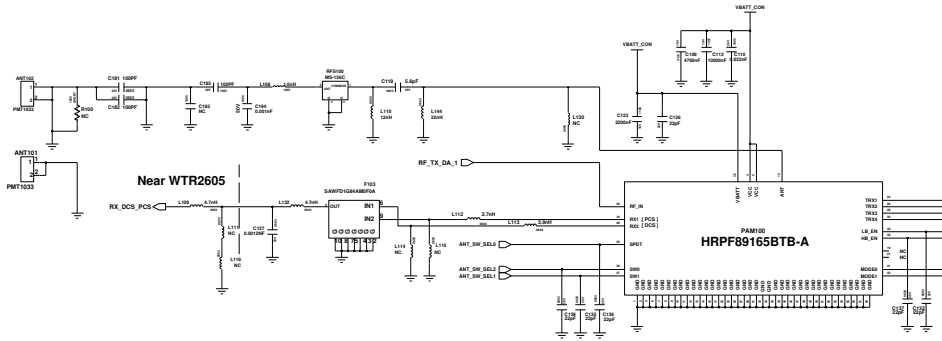


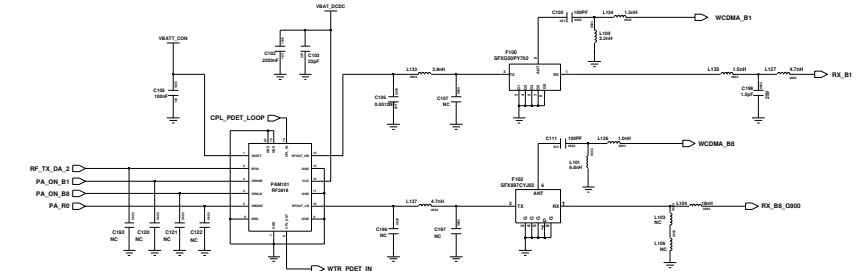
علي البجر-فريق الهارد حلب تك
 WWW.HALABTECH.COM



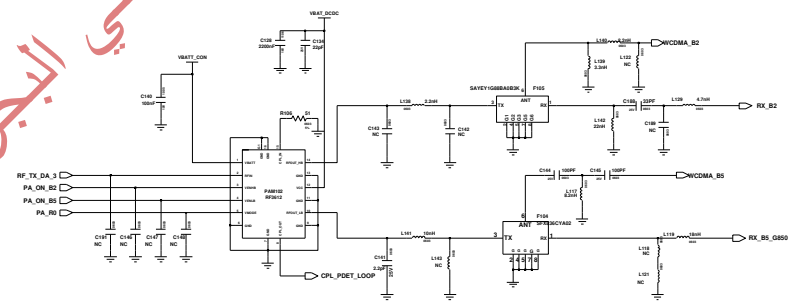
MAIN TX Module logic

	TXM_CTL0	TXM_CTL1	TXM_CTL2	TXM_CTL3	TXM_CTL4
TX_GB50G900	L	L	H	L	H
TX_DCSPCS	L	H	L	L	H
B1_TRX3	H	L	H	L	H
B2_TRX1	H	L	L	L	H
B5_GB50 RX_TRX2	H	L	L	H	H
B6_GB50 RX_TRX4	H	L	H	H	H
RX1_PCS	H	H	H	H	L
RX2_DCS	H	H	H	H	H

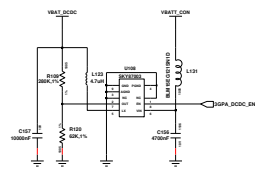
2G PA / Tx Module



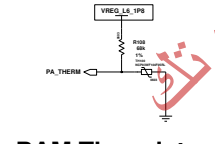
B1 / B8 PA



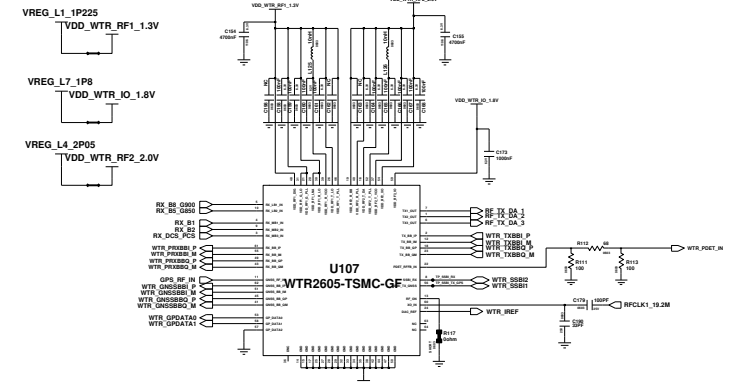
B2 / B5 PA



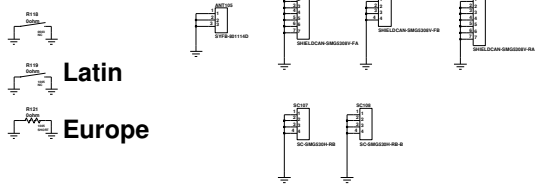
PA DCDC



PAM Thermister



2G/3G Trceiver

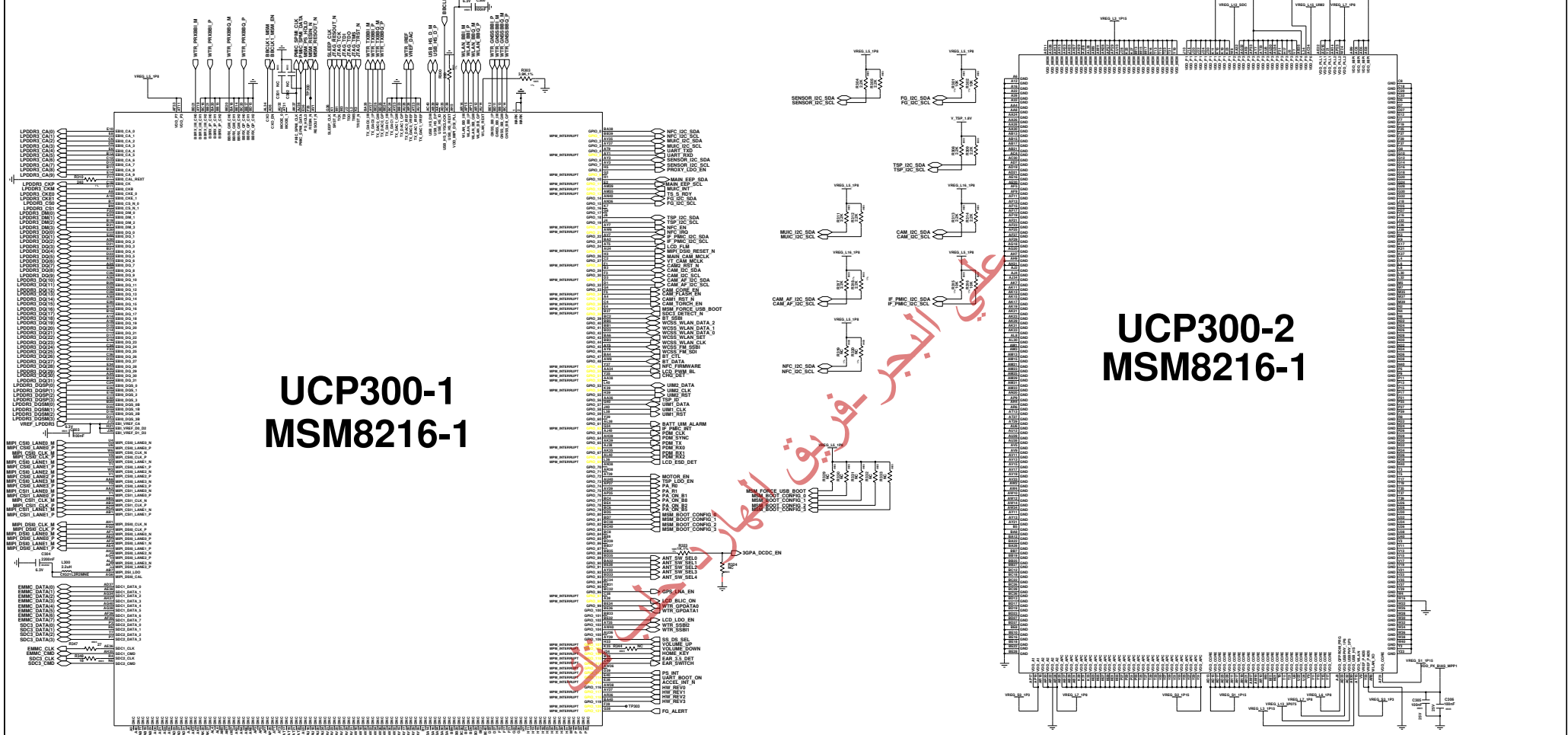


Latin

Europe

Engineer	
DESIGNER	
PRODUCT ENG	
WFO ENG01001	
WFO ENG01001	
SA CHN	
REV	REV1
Sheet	1/1

SAMSUNG CONFIDENTIAL
 THIS DOCUMENT CONTAINS CONFIDENTIAL
 INFORMATION AND INFORMATION THAT IS
 UNLAWFUL TO DISCLOSE TO OTHERS
 WITHOUT THE WRITTEN PERMISSION OF SAMSUNG



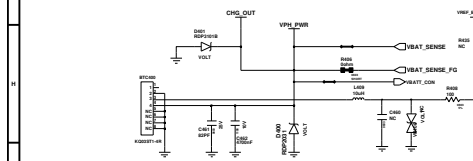
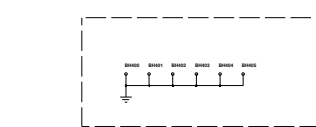
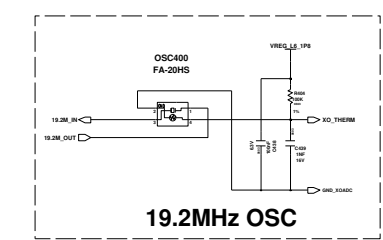
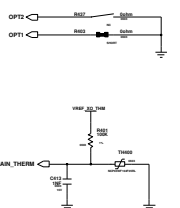
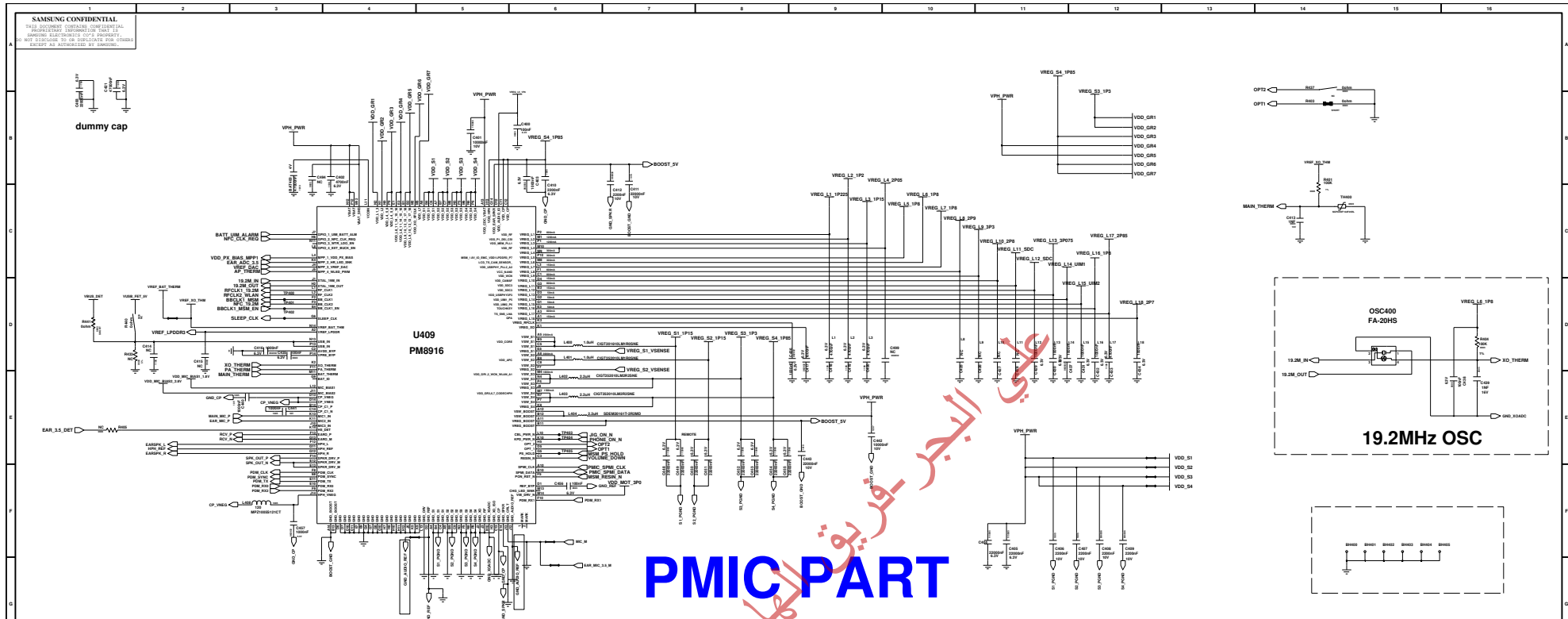
UCP300-1 MSM8216-1

UCP300-2 MSM8216-1

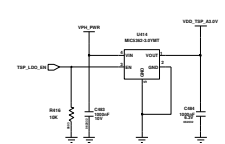
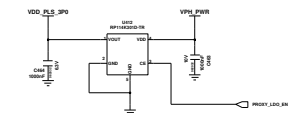
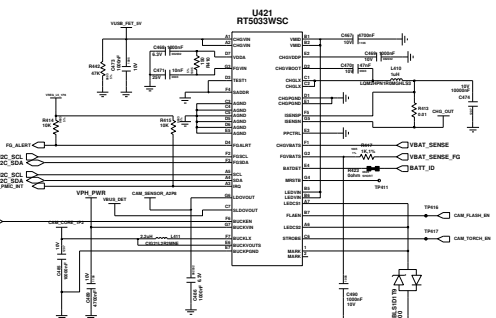
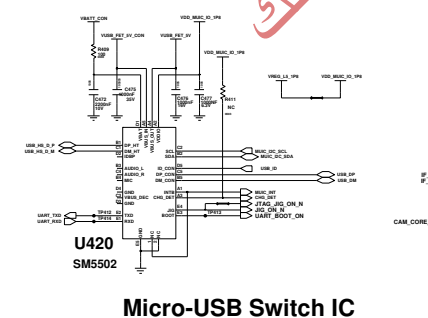
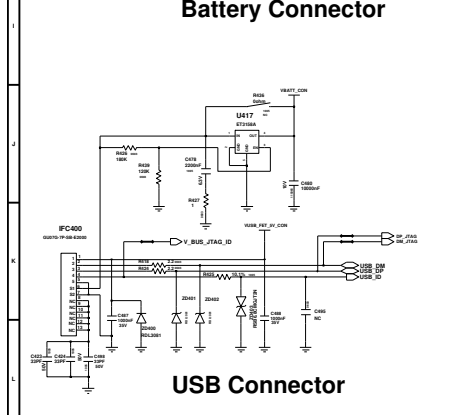
BOOT CONFIGURATIONS
 00 - EMERGENCY BOOT(SDC) FOLLOWED BY USB HW
 01 - SDC FOLLOWED BY BOOT
 10 - SDC FOLLOWED BY BOOT
 11 - L2 (DEFAULT)

MSM Boot Config Pin - Internal PG
 BOOT_CONFIG0 - 9 Source Boot
 1 - 9 Boot

HW REVISION
 HW_REV0
 HW_REV1
 HW_REV2
 HW_REV3
 HW_REV4
 HW_REV5
 HW_REV6
 HW_REV7
 HW_REV8
 HW_REV9

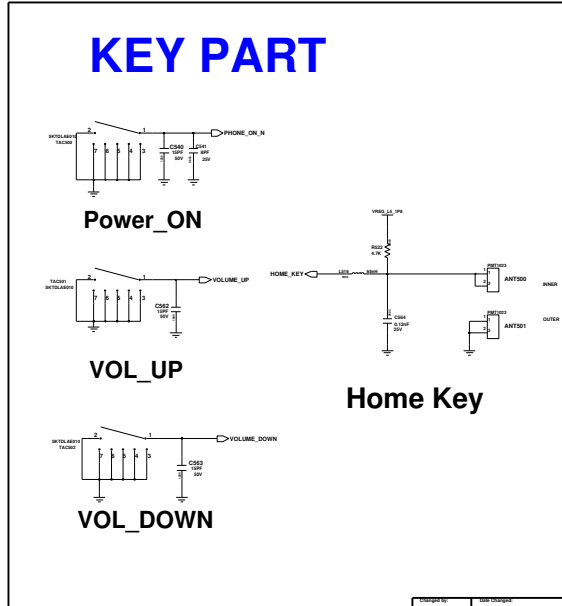
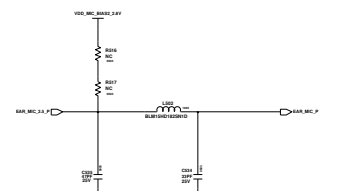
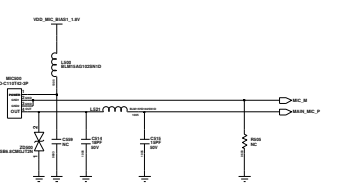
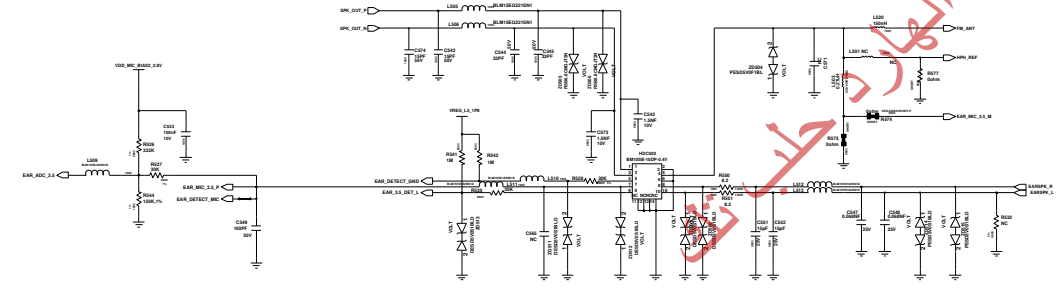
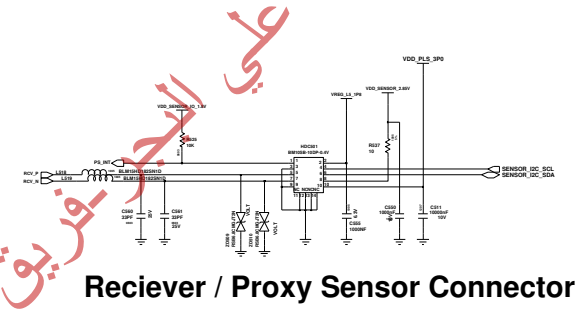
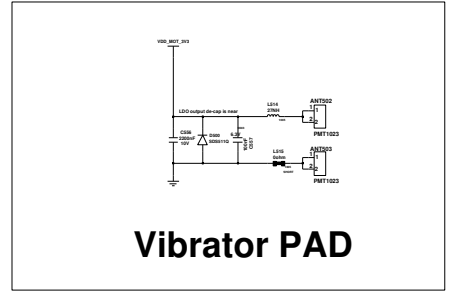
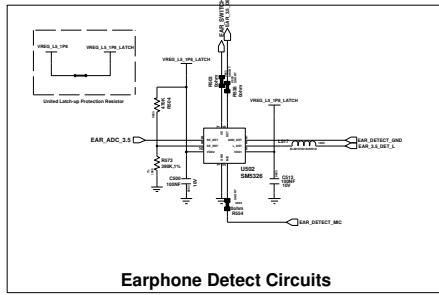
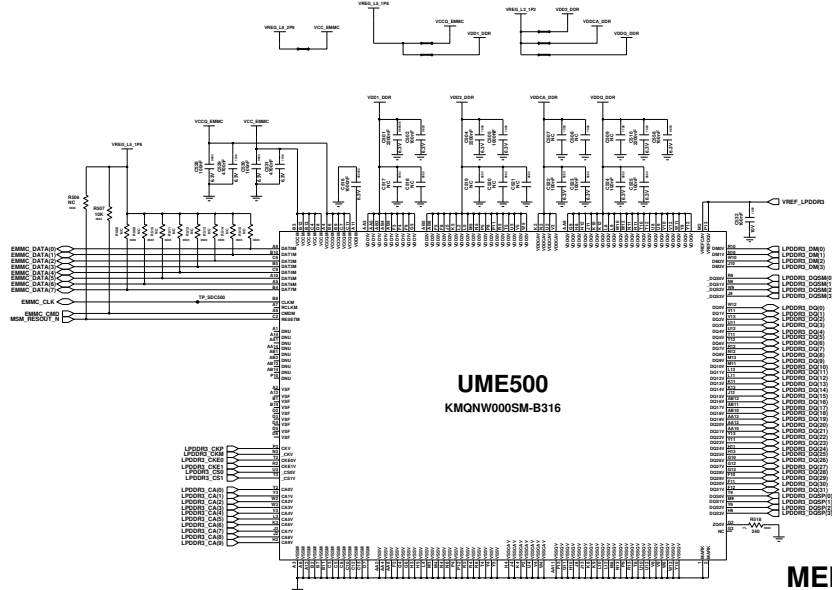


USER INTERFACE PART



Engineer	PMIC / USER INTERFACE
Checked by	
YSD DATE	TITLE
YSD FILE CODE	SM-G530H_DS
YSD PART CODE	
YSD PART	REV 1.0
YSD DATE	44

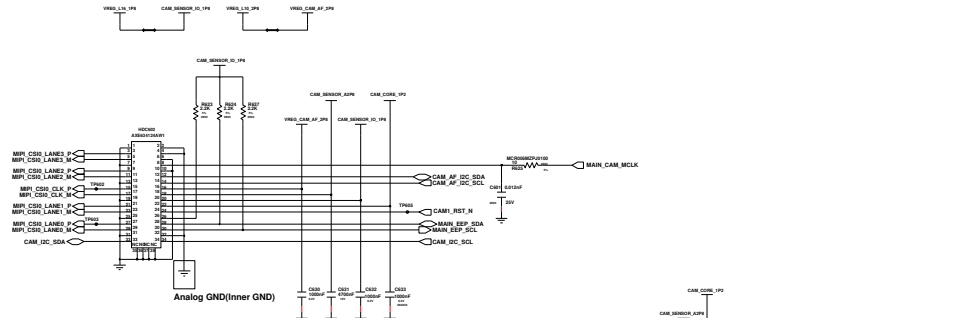
SAMSUNG CONFIDENTIAL
 THIS DOCUMENT CONTAINS CONFIDENTIAL INFORMATION. ANY DISCLOSURE OF THIS INFORMATION TO UNAUTHORIZED PERSONS IS STRICTLY PROHIBITED. THIS DOCUMENT IS THE PROPERTY OF SAMSUNG ELECTRONICS CO., LTD. AND IS TO BE RETURNED TO OR DESTROYED BY SAMSUNG ELECTRONICS CO., LTD. AS REQUESTED.



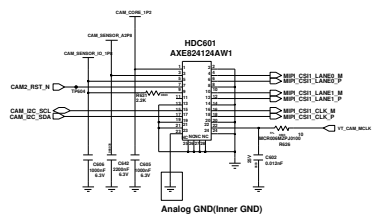
Engineer	AUDIO / MOTOR / KEY
Checked by	
Doc. Ctrl. Chk.	SM-G530H/DS
Rev. No.	REV. A

SAMSUNG CONFIDENTIAL
THIS DOCUMENT CONTAINS UNCLASSIFIED INFORMATION EXCEPT WHERE SHOWN OTHERWISE. IT IS THE PROPERTY OF SAMSUNG ELECTRONICS CO., LTD. AND IS TO BE RETURNED TO THE ISSUING DIVISION UPON REQUEST. NO REPRODUCTION OR TRANSMISSION IS PERMITTED WITHOUT THE WRITTEN PERMISSION OF SAMSUNG ELECTRONICS CO., LTD.

CAMERA PART

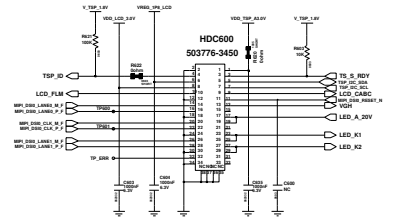


8M_CAM Connector (MIPI)

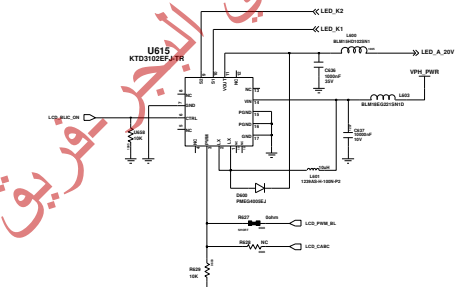


5M_VT_CAM

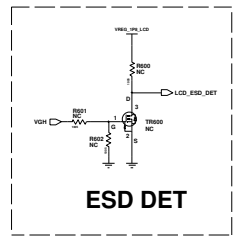
DISPLAY PART



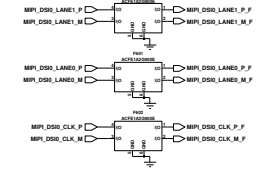
LCD Connector(5")



10 LED LCD DCDC

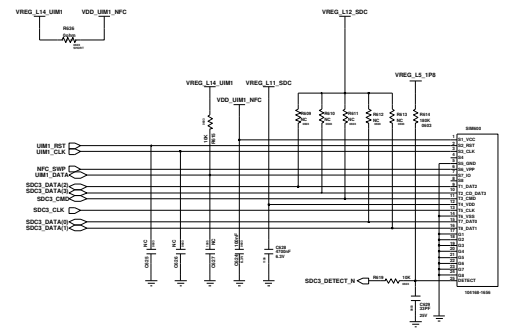


ESD DET



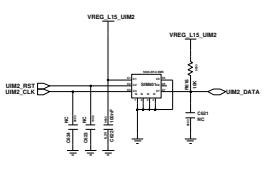
LCD LDO(150mA)

SIM / SD CARD PART



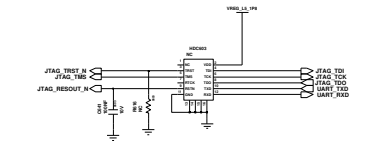
UIM1 / SD Card Connector

(3709-001829, charged of JJJ)

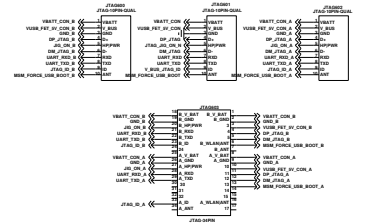


UIM2 Connector

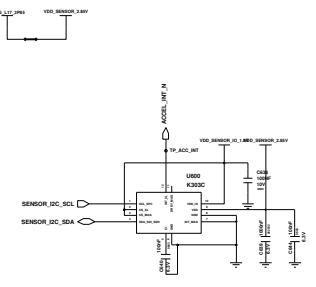
JTAGs



PCB JTAG CON



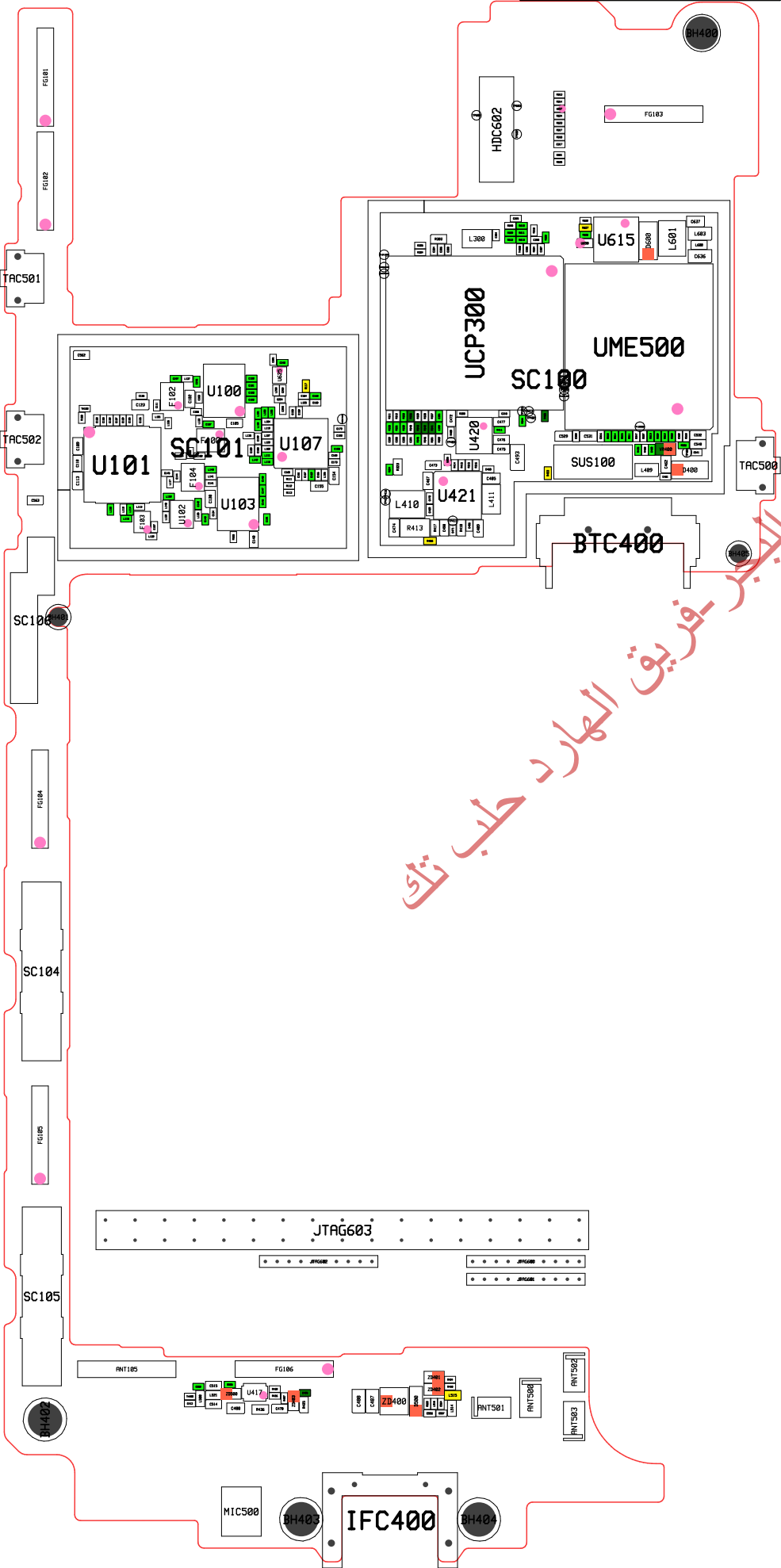
ARRAY JTAG



Accel. Sensor
Need to change K303C

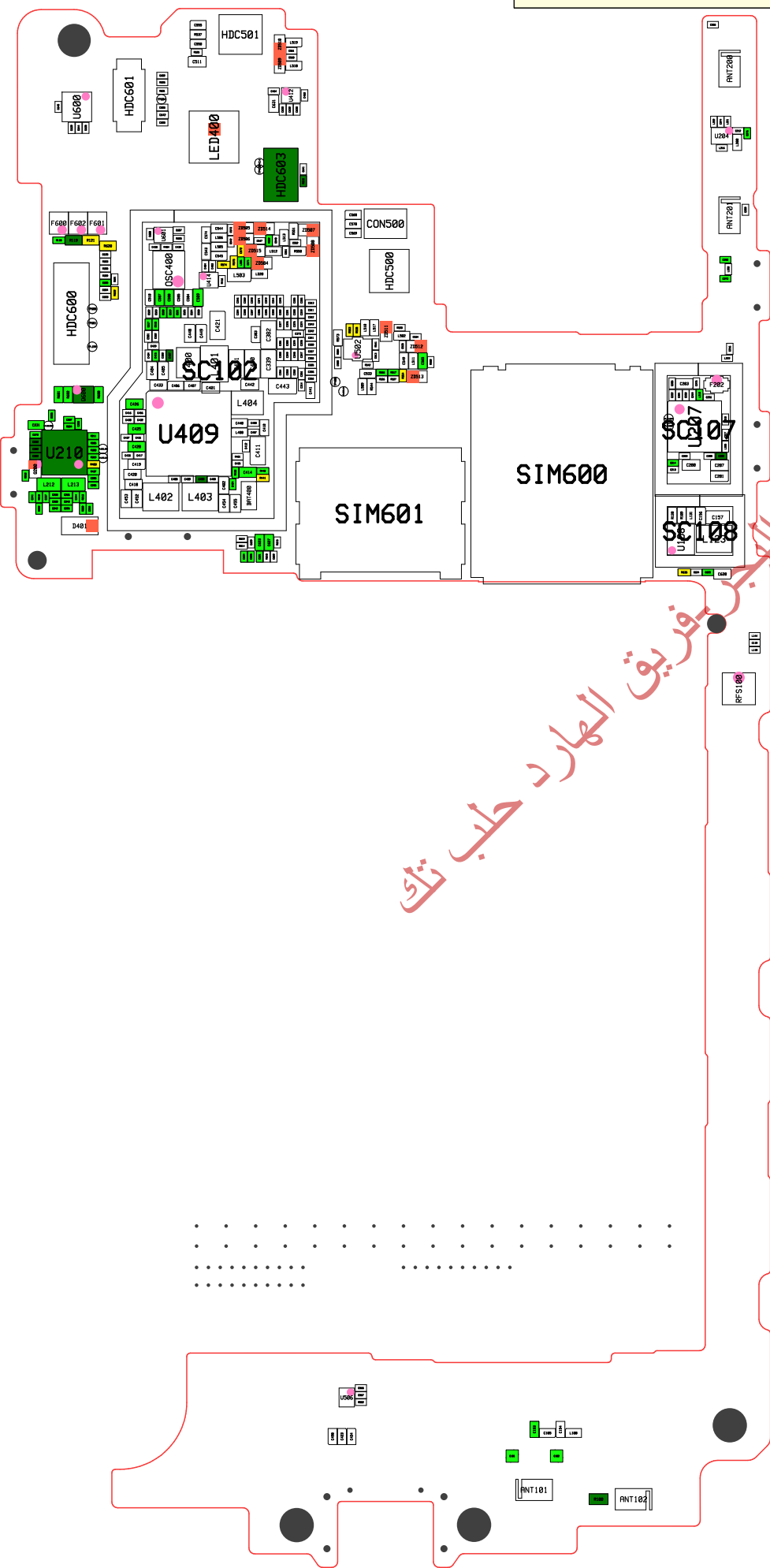
Project:	CAMERA / LCD / SIM,SD CON
Version:	
File Name:	SM-G530H DS
Sheet No.:	REV1.0
Page No.:	14

Model : SM-G530H/DS
Revision : REV1.0
Manufacture Count :
Charge :
Contact :
Date :
Routing :
Resin :



البيزنس فريق الهارد طب تكي علي

Model : SM-G530H/DS
Revision : REV1.0
Manufacture Count :
Charge :
Contact :
Date :
Routing :
Resin :



البيوتقنيق الهارد طب تى
علي