



SM-A315F_REV0.2A

2020.01.22

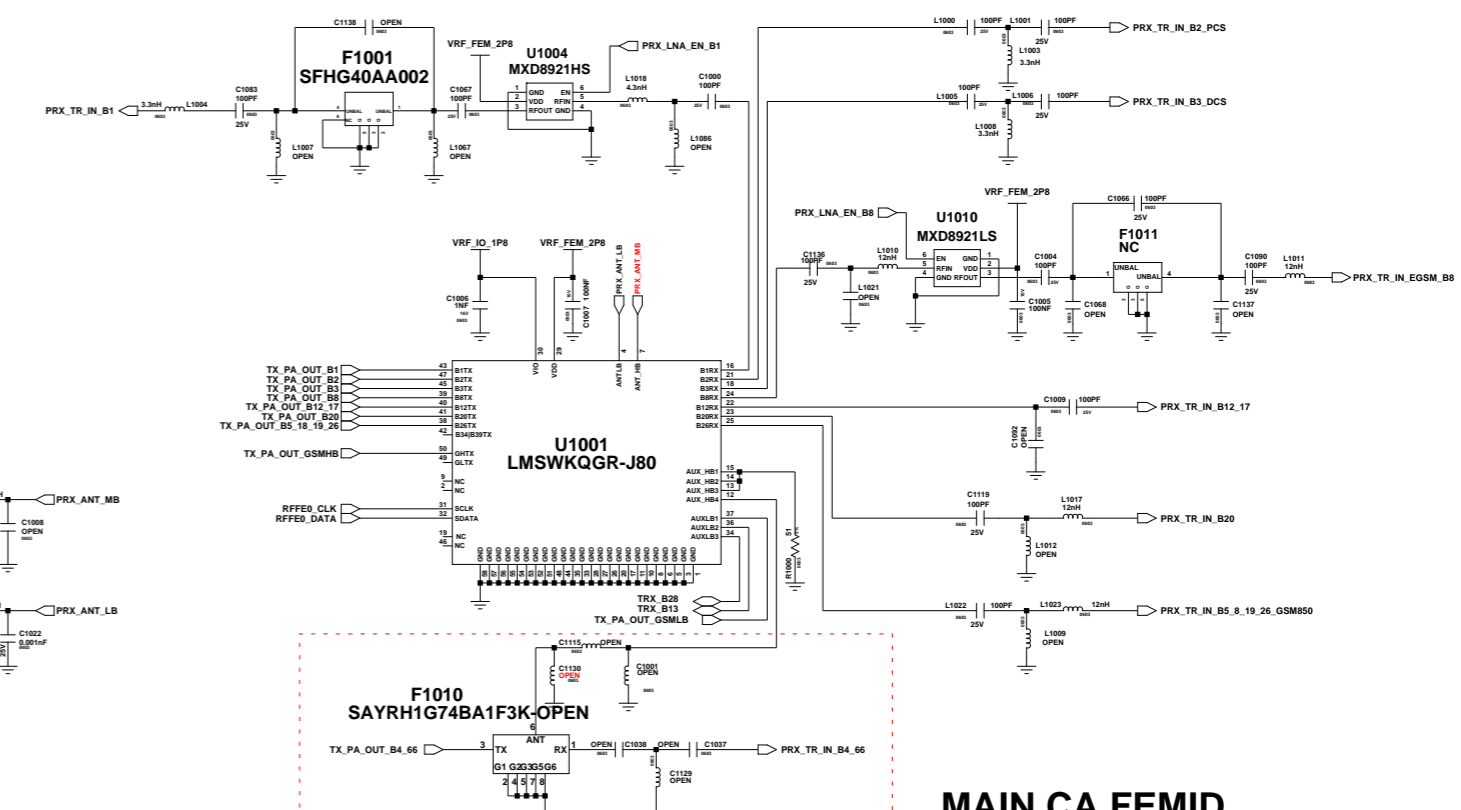
<https://support.halabtech.com/>

- sheet01 : GSM / WCDMA / LTE RF
- sheet02 : TRANCEIVER, DRX
- sheet03 : SENSORS, DMB/DTV, CONNECTIVITY
- sheet04 : AP(P65)
- sheet05 : PMIC(Main,IF), SIM/SD, eMCP, IF PMIC
- sheet06 : AUDIO, MAIN FPCB, SHIELD CAN
- sheet07 : CAMERA, DISPLAY

Ali Pro Hardware

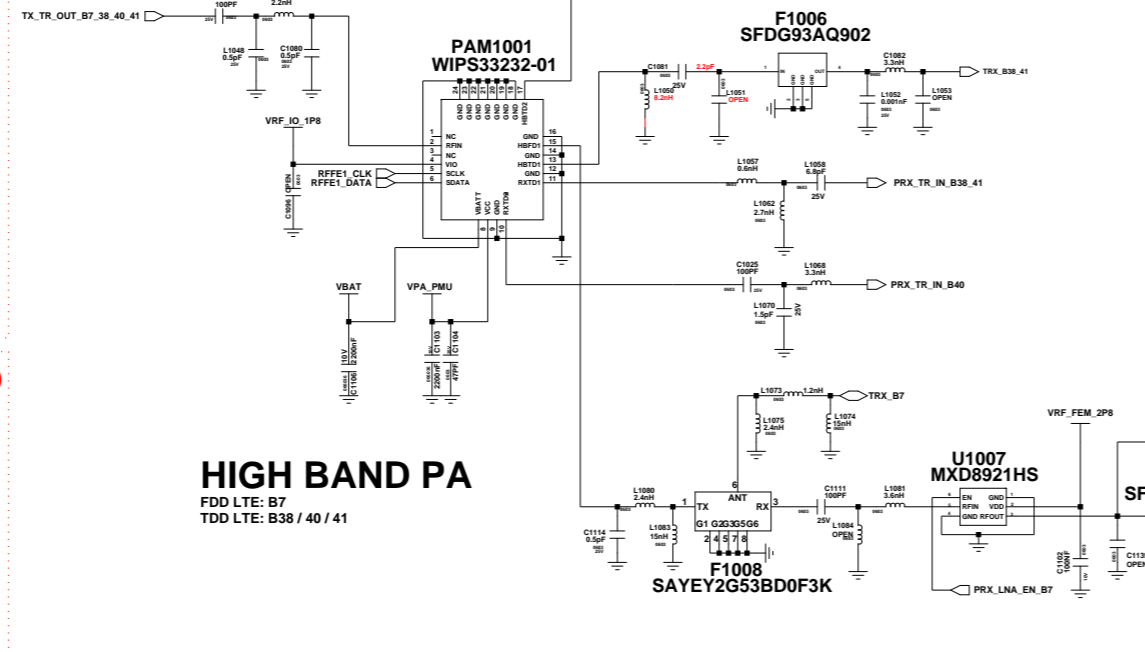
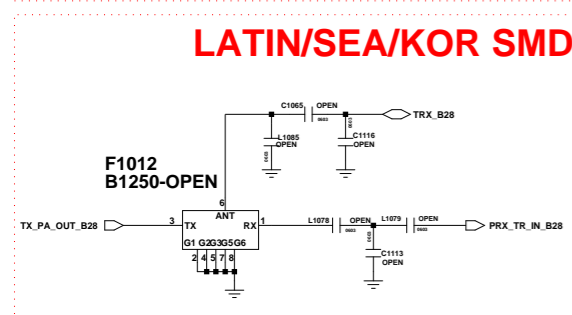
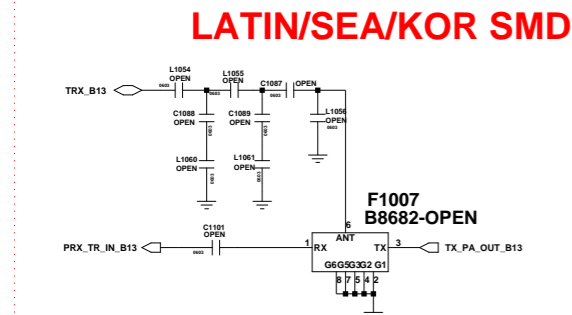
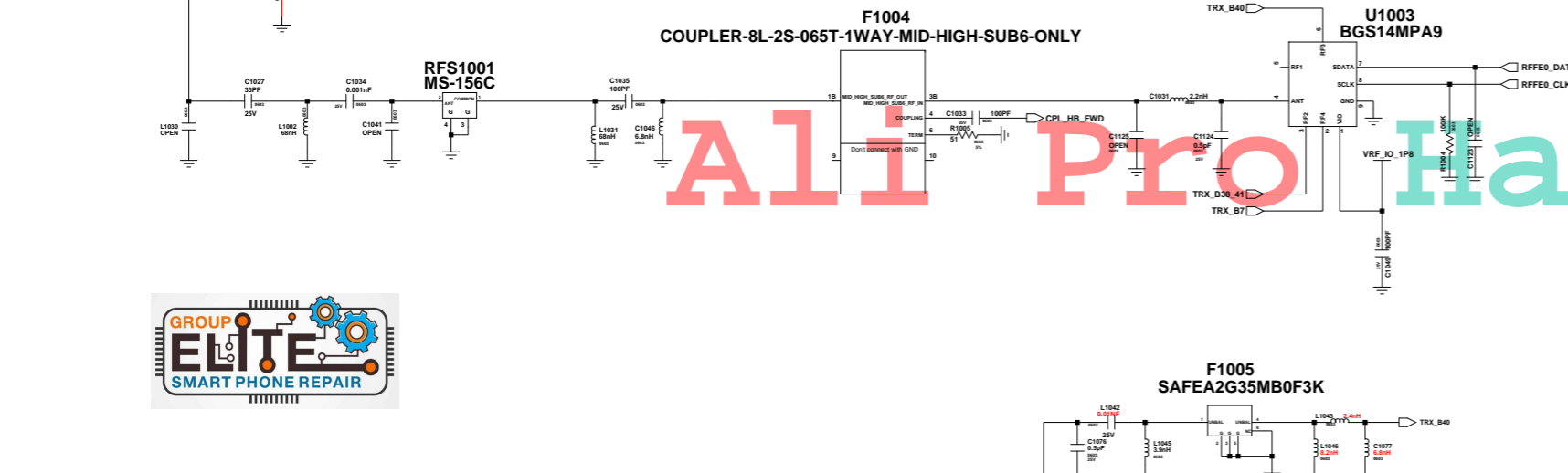
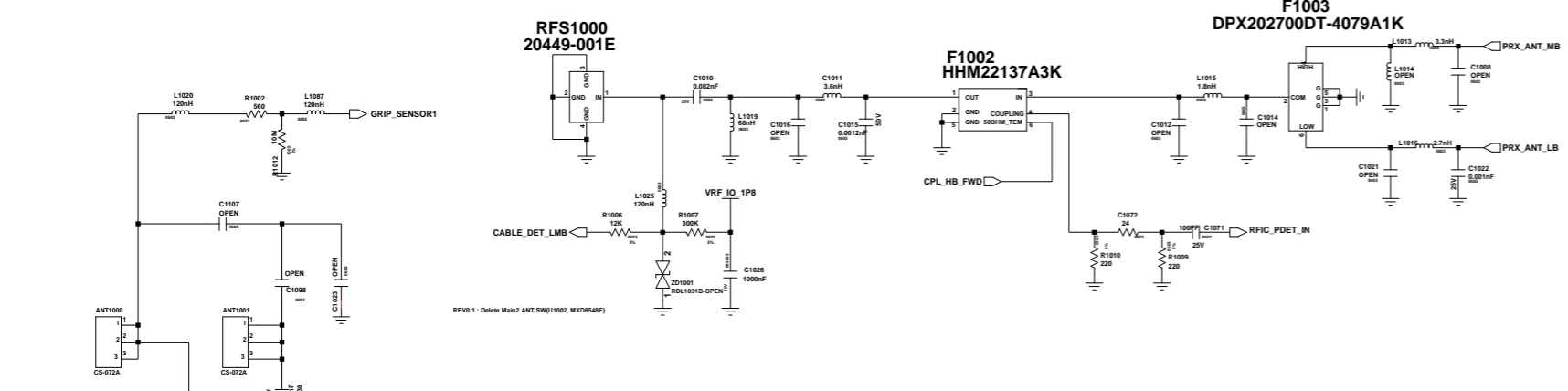
Engineer:	SMD: 12.19
Drawn by:	
RAD CHK:	TITLE: SM-A505F
DWG CTRL CHK:	
MFG ENGR CHK:	
QA CHK:	REV: Drawing Number: Page: 6

	CIS/SWA/MEA	LATIN/SEA	KOR
FDD	1/ 2/ 3/ 5/ 7/ 8/ 20	1/2/3/4/5/7/8/12/13/17/20/28/66	1/ 3/ 5/ 7/ 8/ 17/ 20/ 28
TDD	38/ 40/ 41	38/ 40/ 41	38/ 40/ 41
3G	1/ 2/ 5/ 8	1/2/4/5/8	1/ 2/ 5/ 8
2G	850/900/1800/1900	850/900/1800/1900	850/900/1800/1900

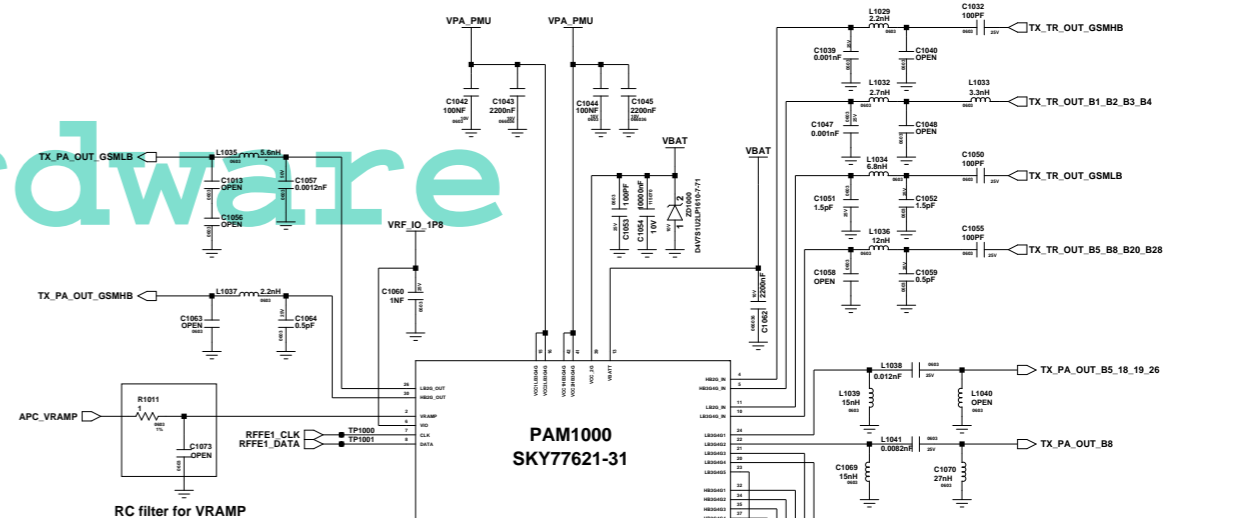


LATIN/SEA/KOR SMD

MAIN CA FEMID



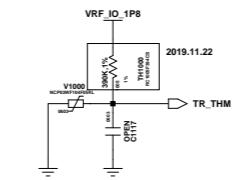
HIGH BAND PA
 FDD LTE: B7
 TDD LTE: B38 / 40 / 41



LATIN/SEA/KOR SMD

MMMB PA
 2G : EGSM / DCS / PCS / GSM850
 3G : B1 / 2 / 4 / 5 / 8
 FDD LTE : B1 / 2 / 3 / 4 / 8 / 12(17) / 13 / 20 / 26(5/18/19) / 28

RF THERMISTOR

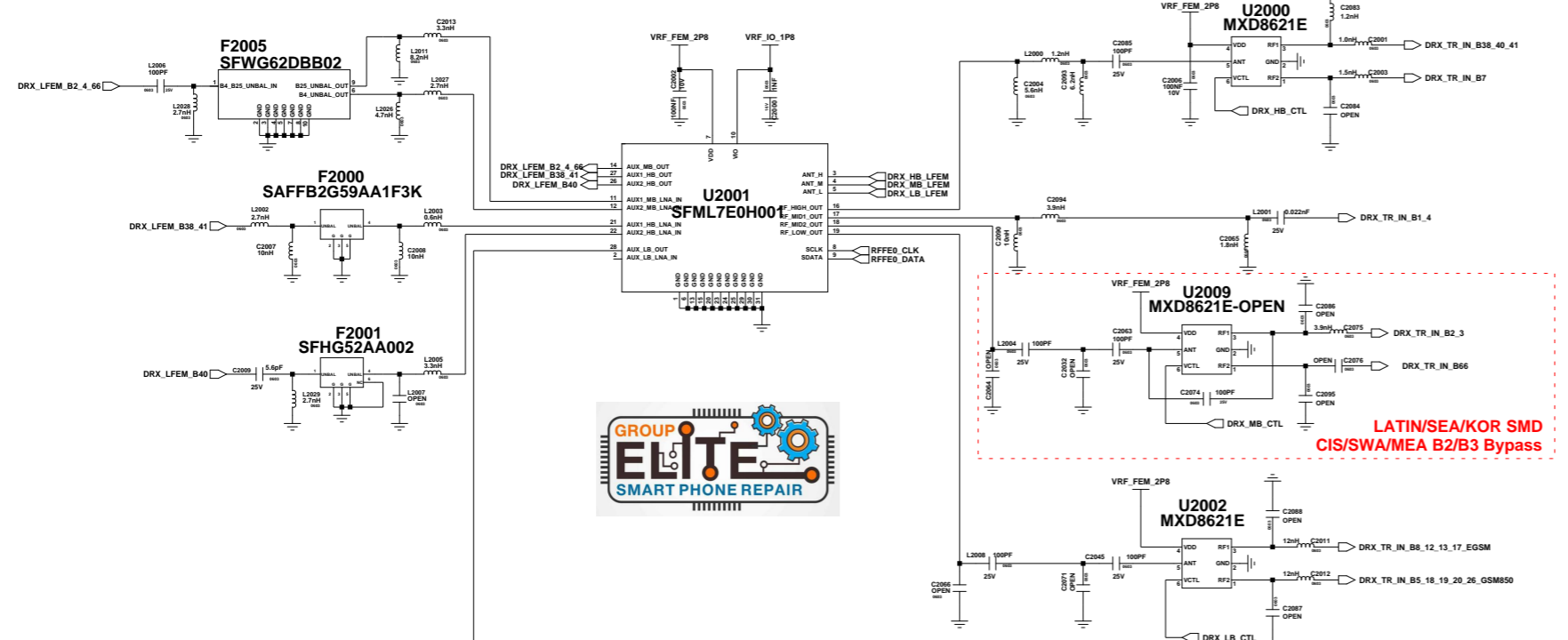


Ali Pro Hardware

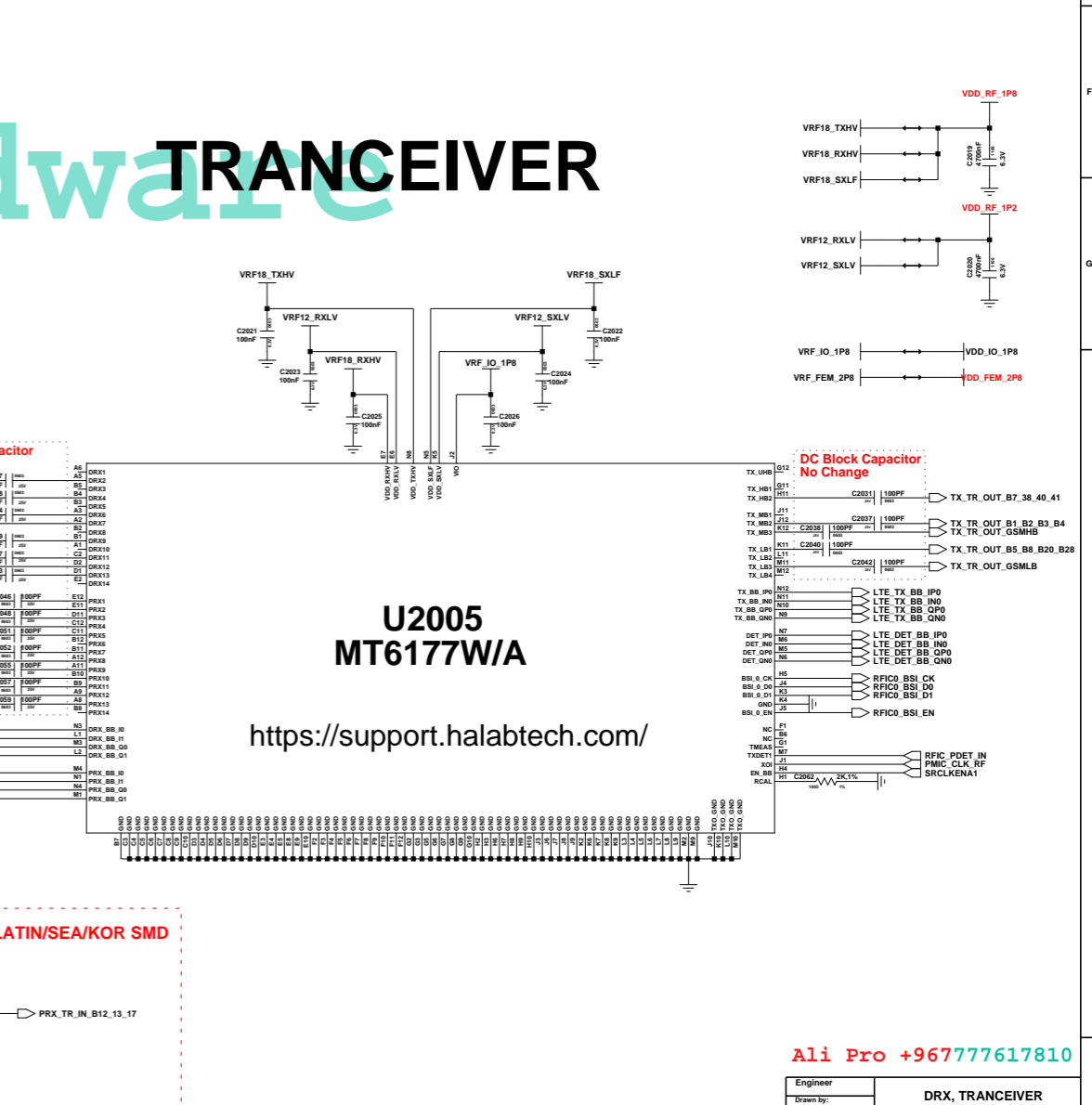
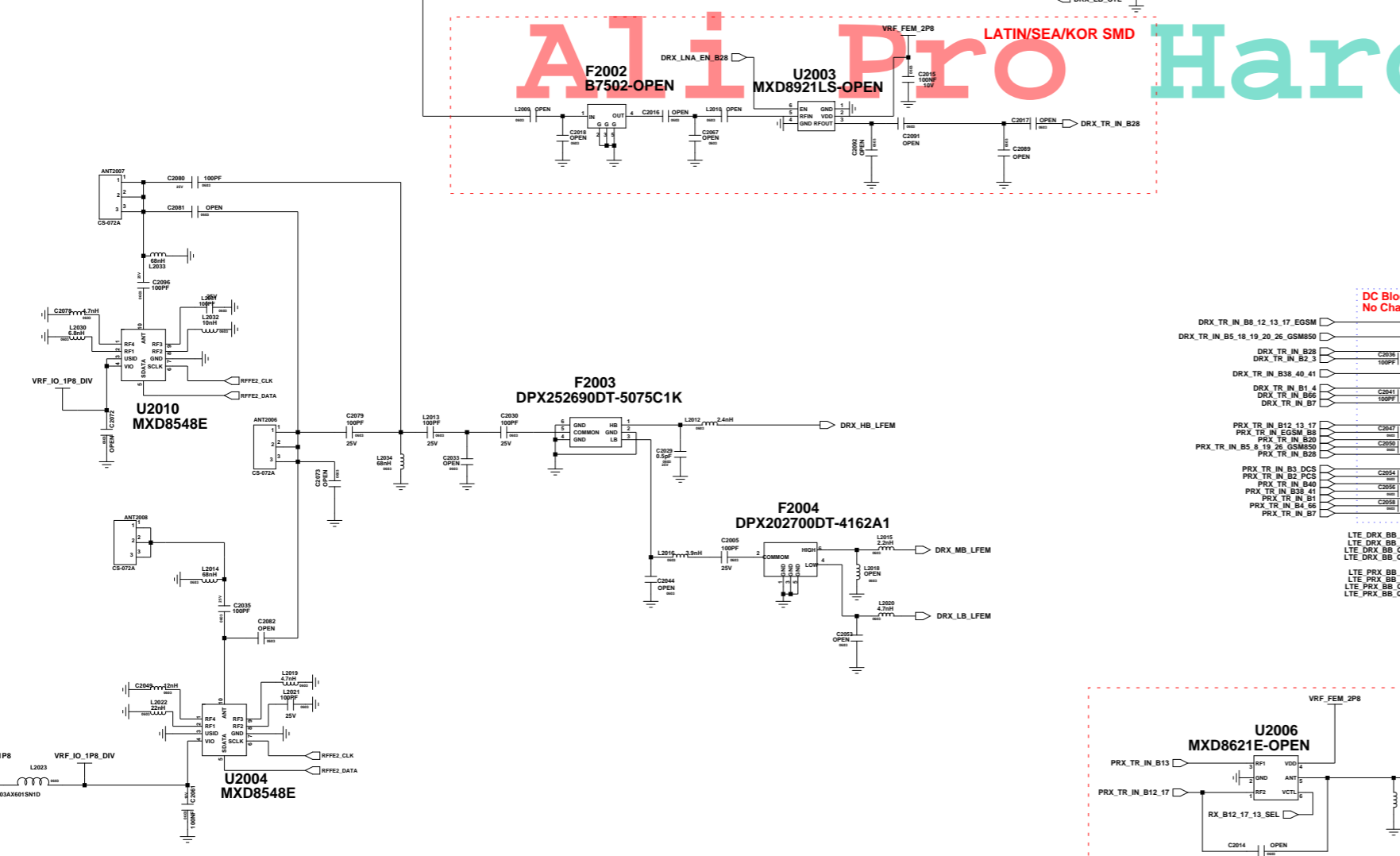
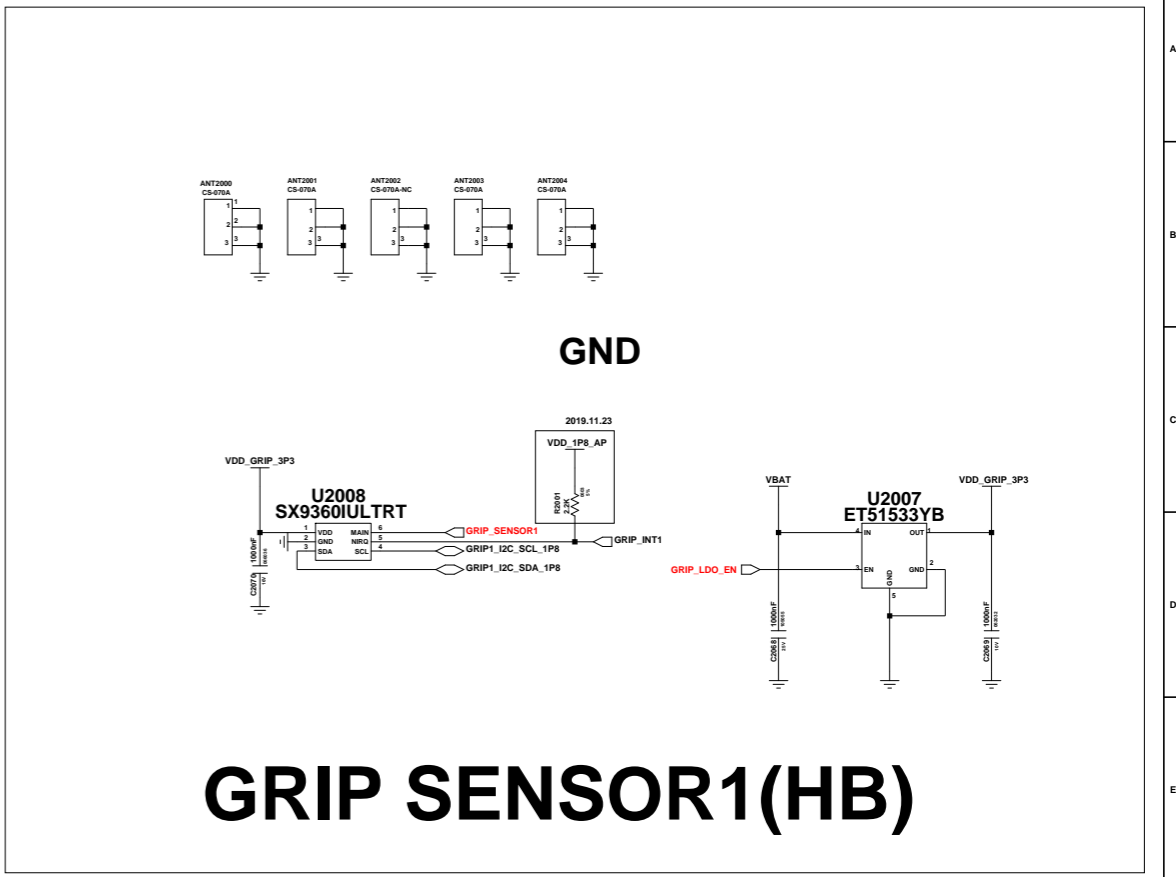


Engineer:		SAMSUNG ELECTRONICS
Drawn by:		
RAD CHK:		
DOC CTRL CHK:		
MFG ENGR CHK:		

	CIS/SWA/MEA	LATIN/SEA	KOR
FDD	1/ 2/ 3/ 5/ 7/ 8/ 20	1/2/3/4/5/7/8/12/13/17/20/28/66	1/ 3/ 5/ 7/ 8/ 17/ 20/ 28
TDD	38/ 40/ 41	38/ 40/ 41	38/ 40/ 41
3G	1/ 2/ 5/ 8	1/2/4/5/8	1/ 2/ 5/ 8
2G	850/900/1800/1900	850/900/1800/1900	850/900/1800/1900



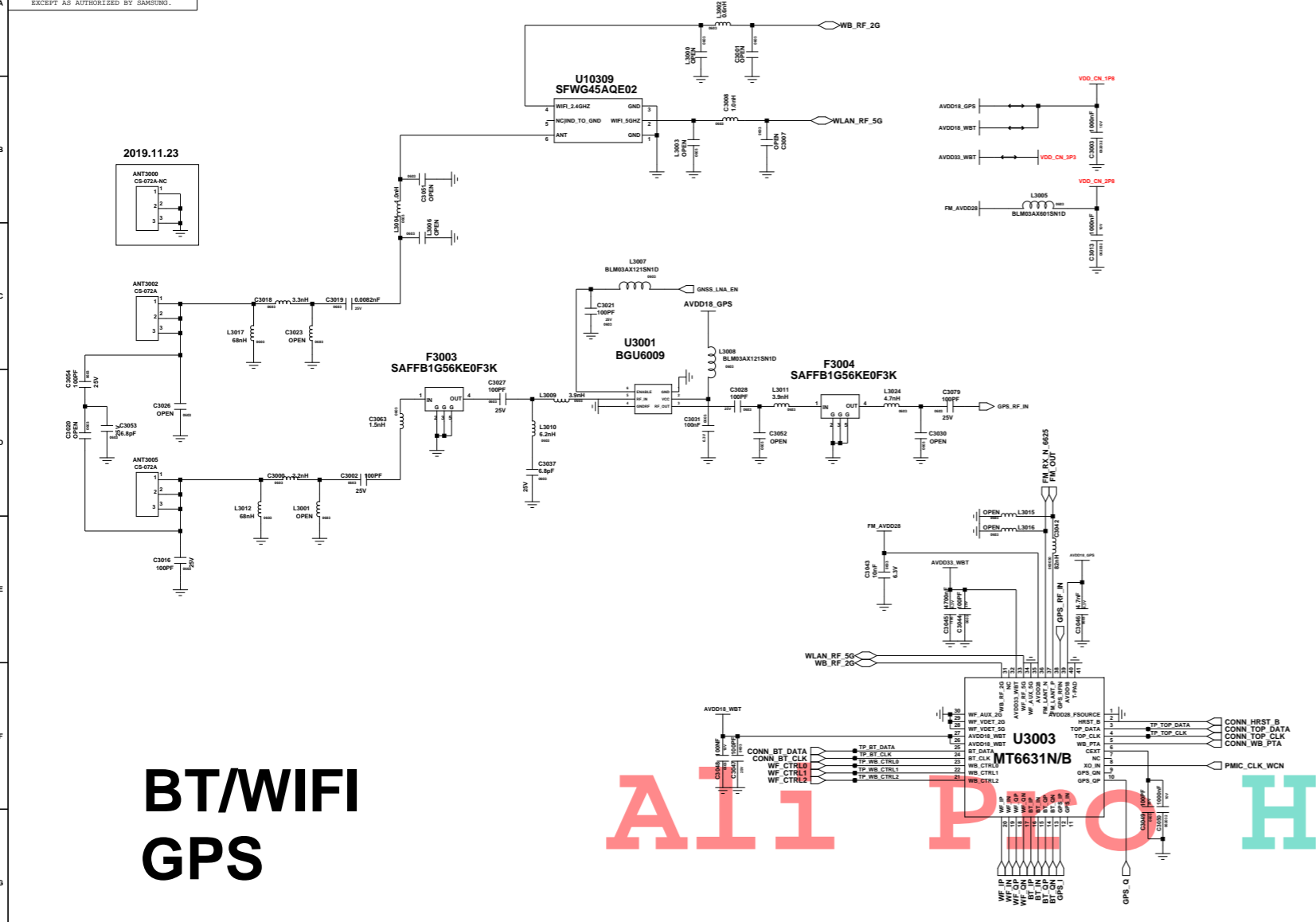
Ali Pro Hardware TRANCEIVER



علي البجر Ali Pro

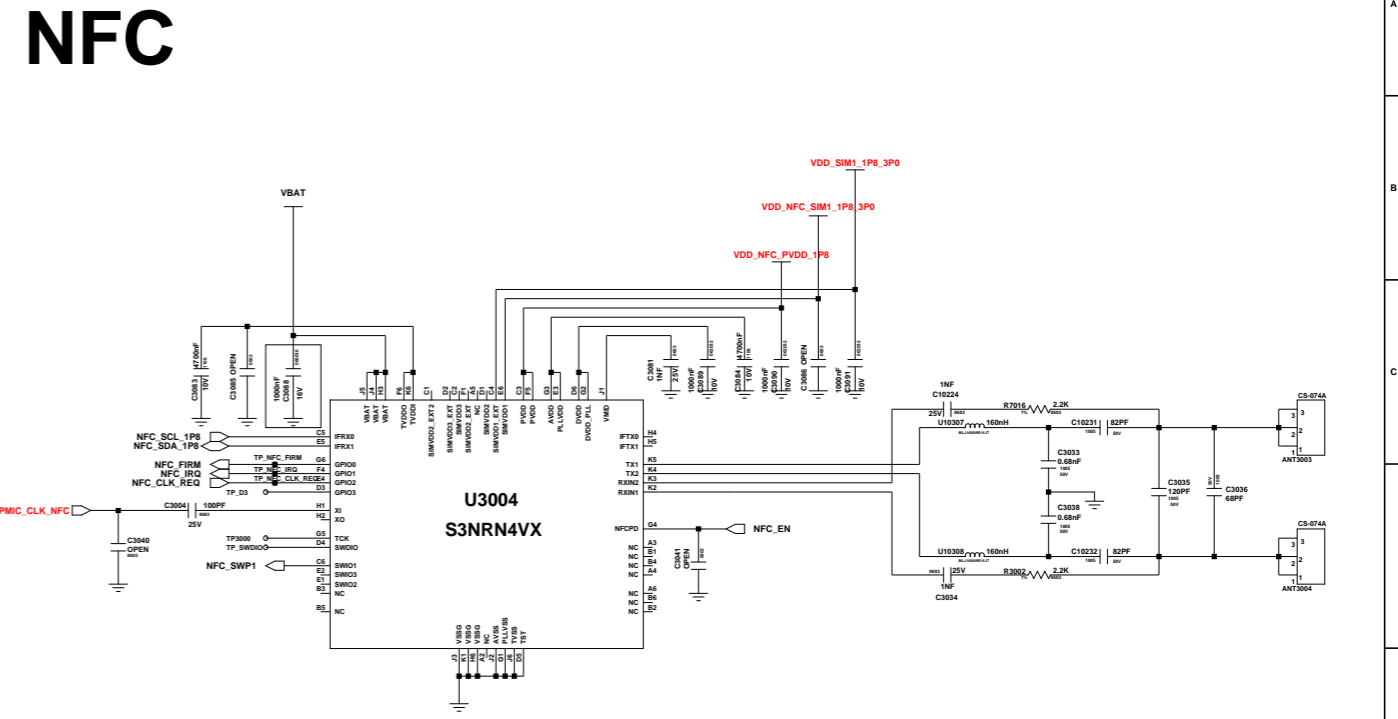
Ali Pro +96777617810

Engineer	DRX, TRANCEIVER
DRAWN BY:	
DOC CTRL CHK:	SM-A315F
MFG ENGR CHK:	
Changed by:	Date Changed:
Time Changed:	QA CHK:
Drawing Number	27



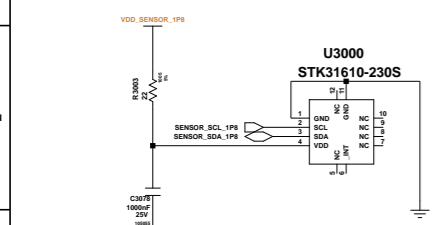
**BT/WIFI
GPS**

Ali Pro Hardware

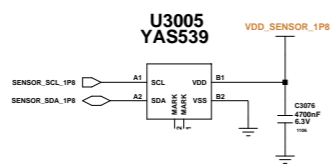


NFC	NFC PART	Power supply of SIM		NFC_CHECK:GPIO52 (BPI_BUS15_ANT2)	
	U3004	R5031	R5032	R4032	R4036
NFC	CONNECT	short	open	10K ohm	open
nonNFC	NC	open	short	open	10K ohm

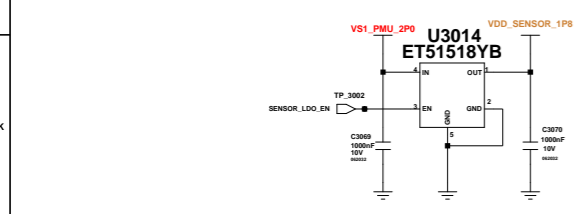
SENSORS



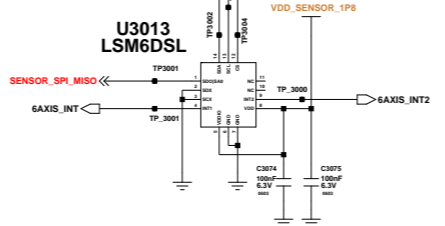
ALS Sensor



**MAGNETIC
YAMAHA (0.97x0.97)**

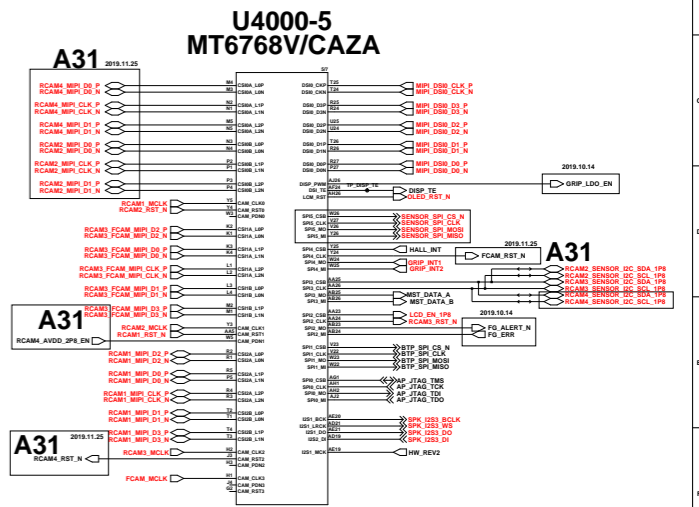
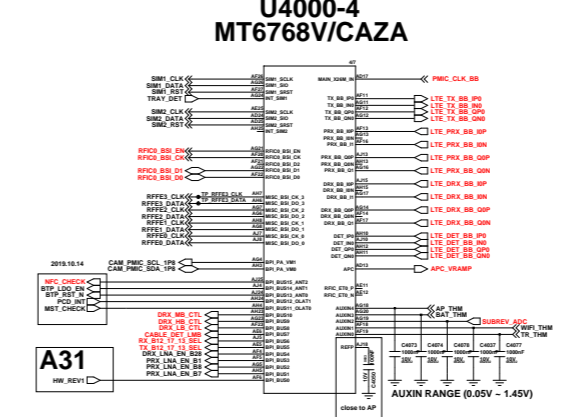
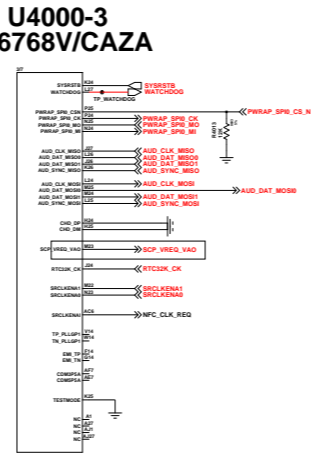
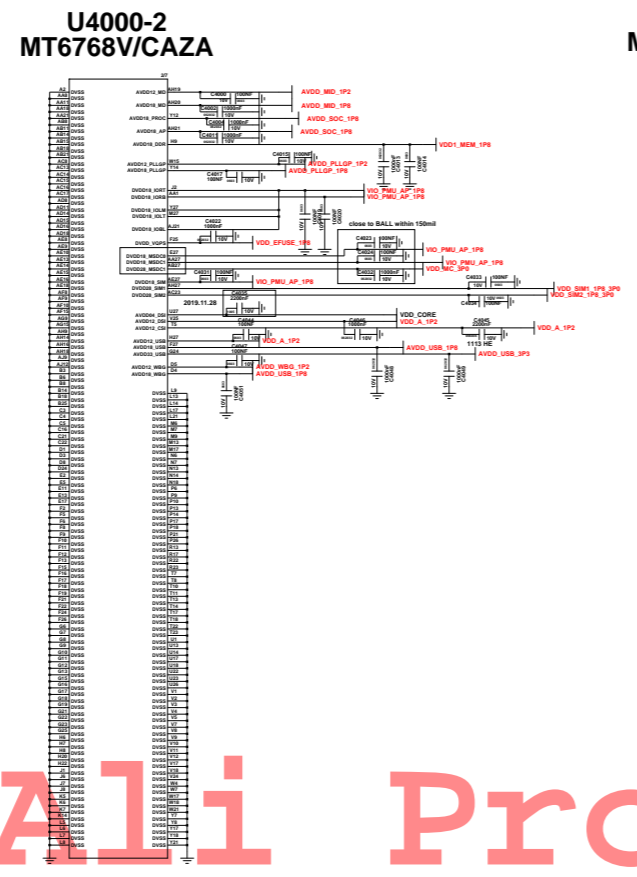
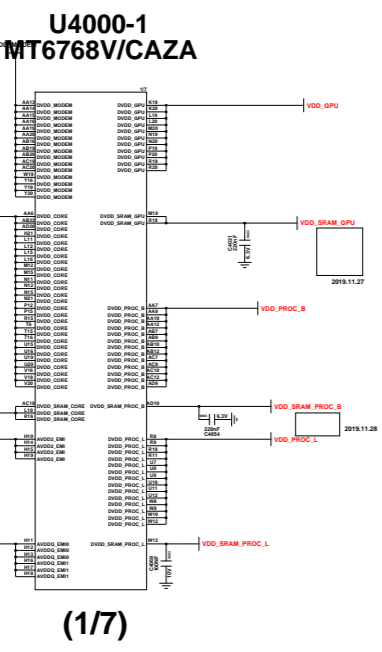


SENSOR LDO

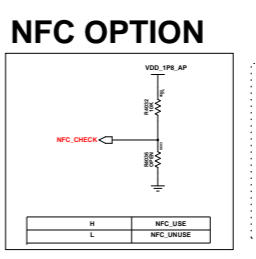
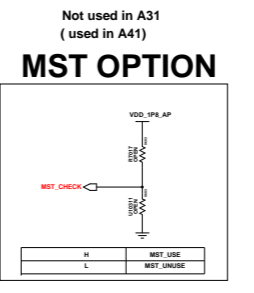
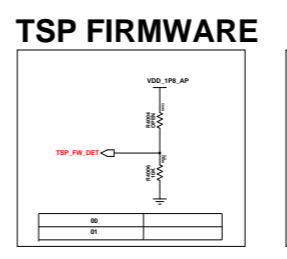
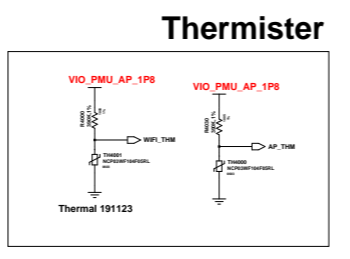
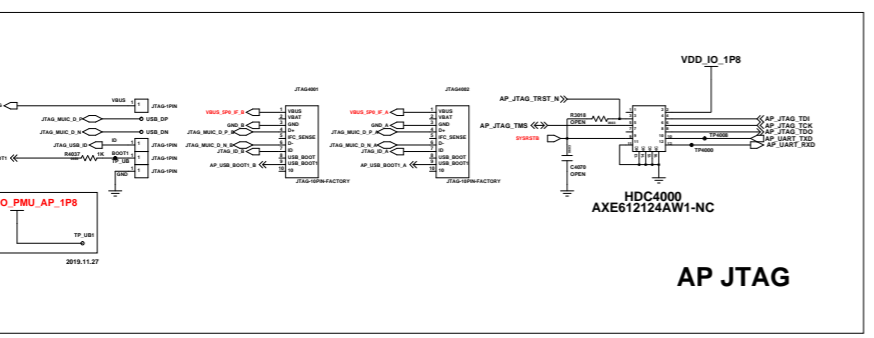
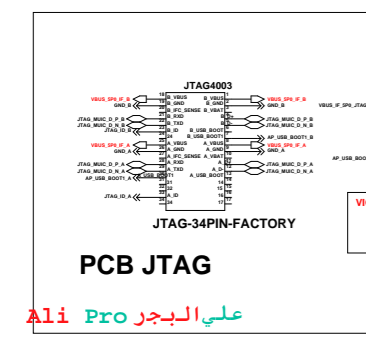
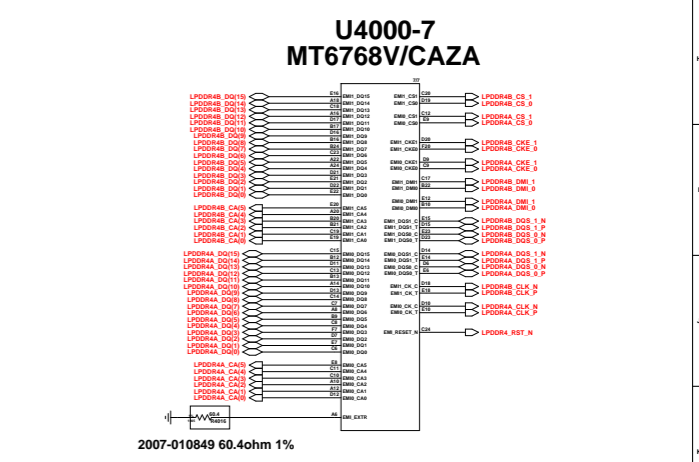
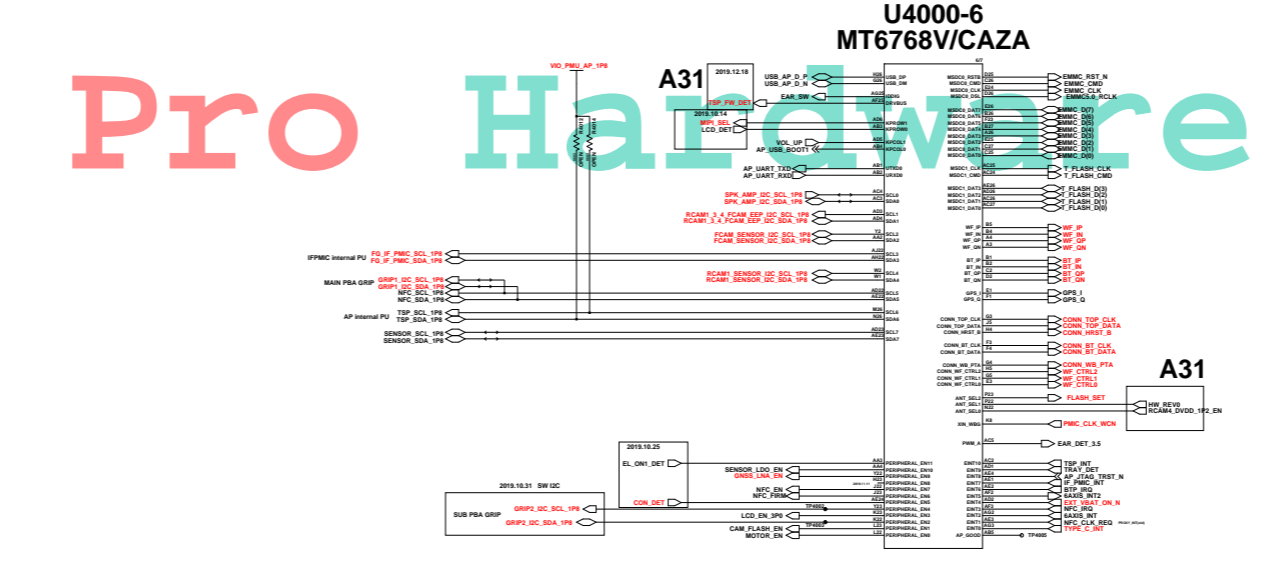
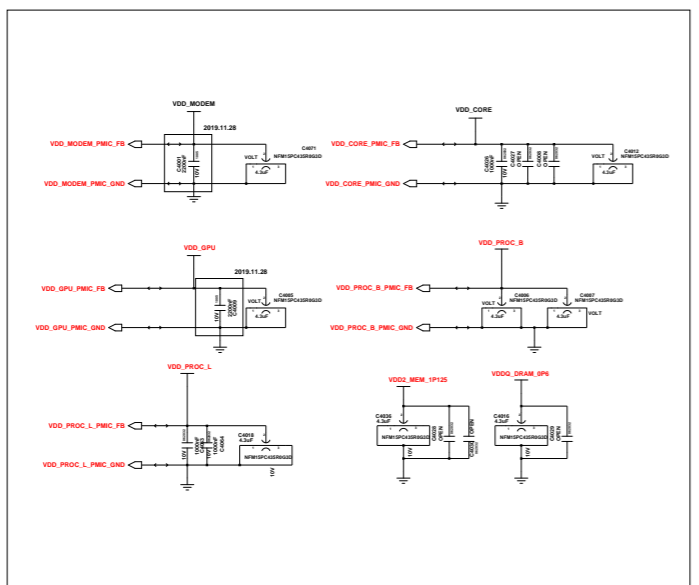
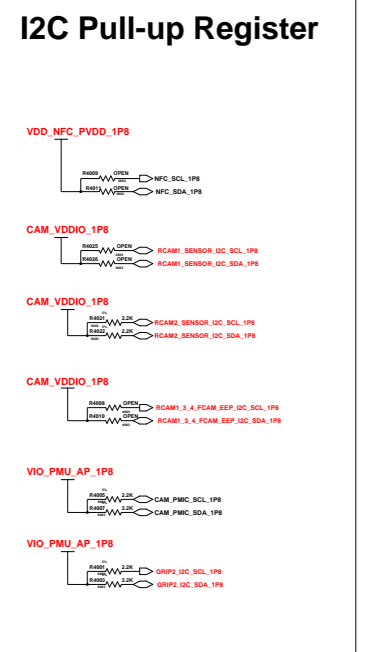


**6 AXIS(ACC+GRYO)
STM(3x2.5)**

AP_(MTK_MT6768_11*11.8)



Ali Pro Hardware

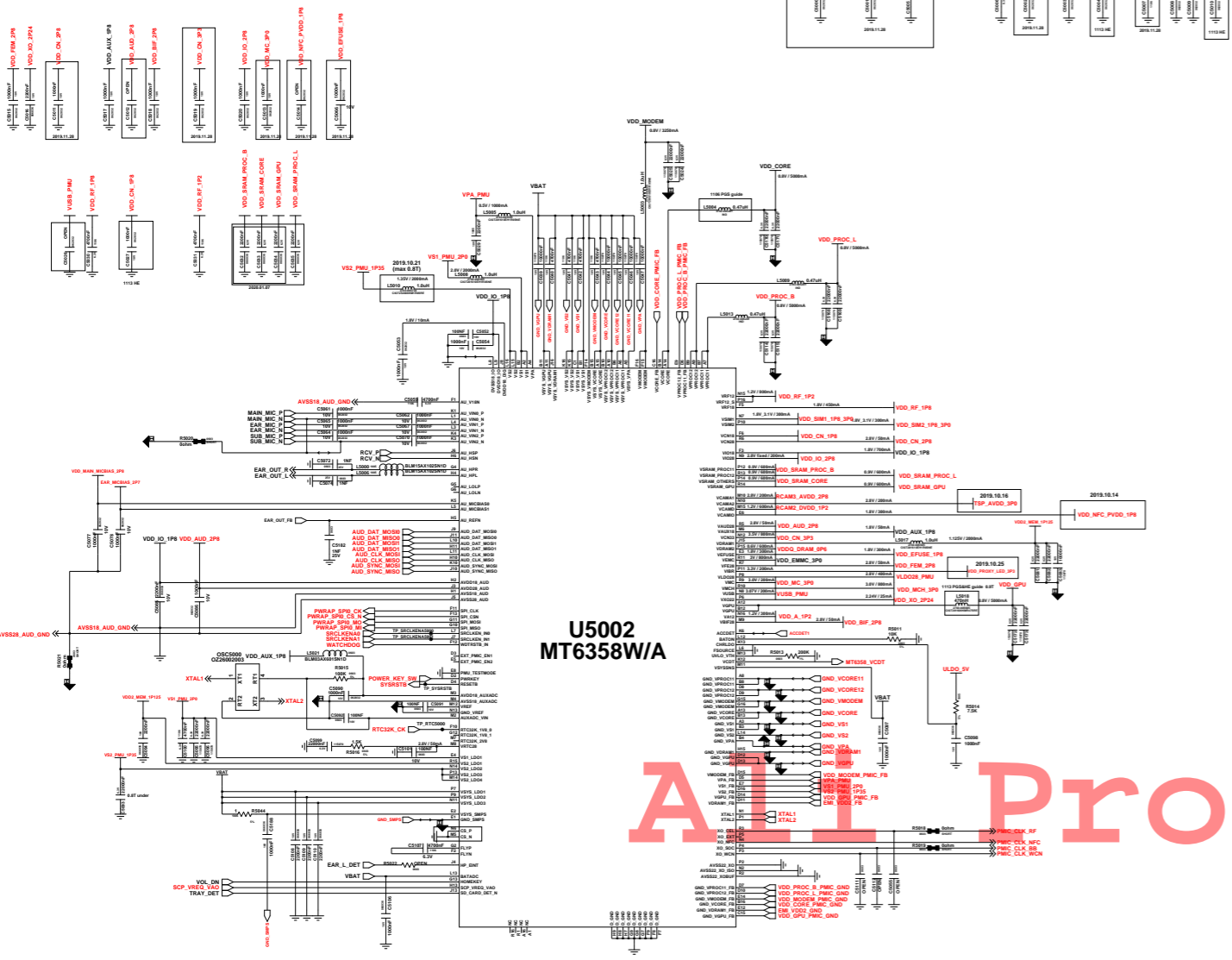


H/W Revision Setting

REV	HW_VER2	HW_VER1	HW_VER0
REV.0.0	0	0	0
REV.0.1	0	1	0
REV.0.2	0	1	1
REV.0.3	0	1	1
REV.0.4	0	1	1
REV.0.5	0	1	1

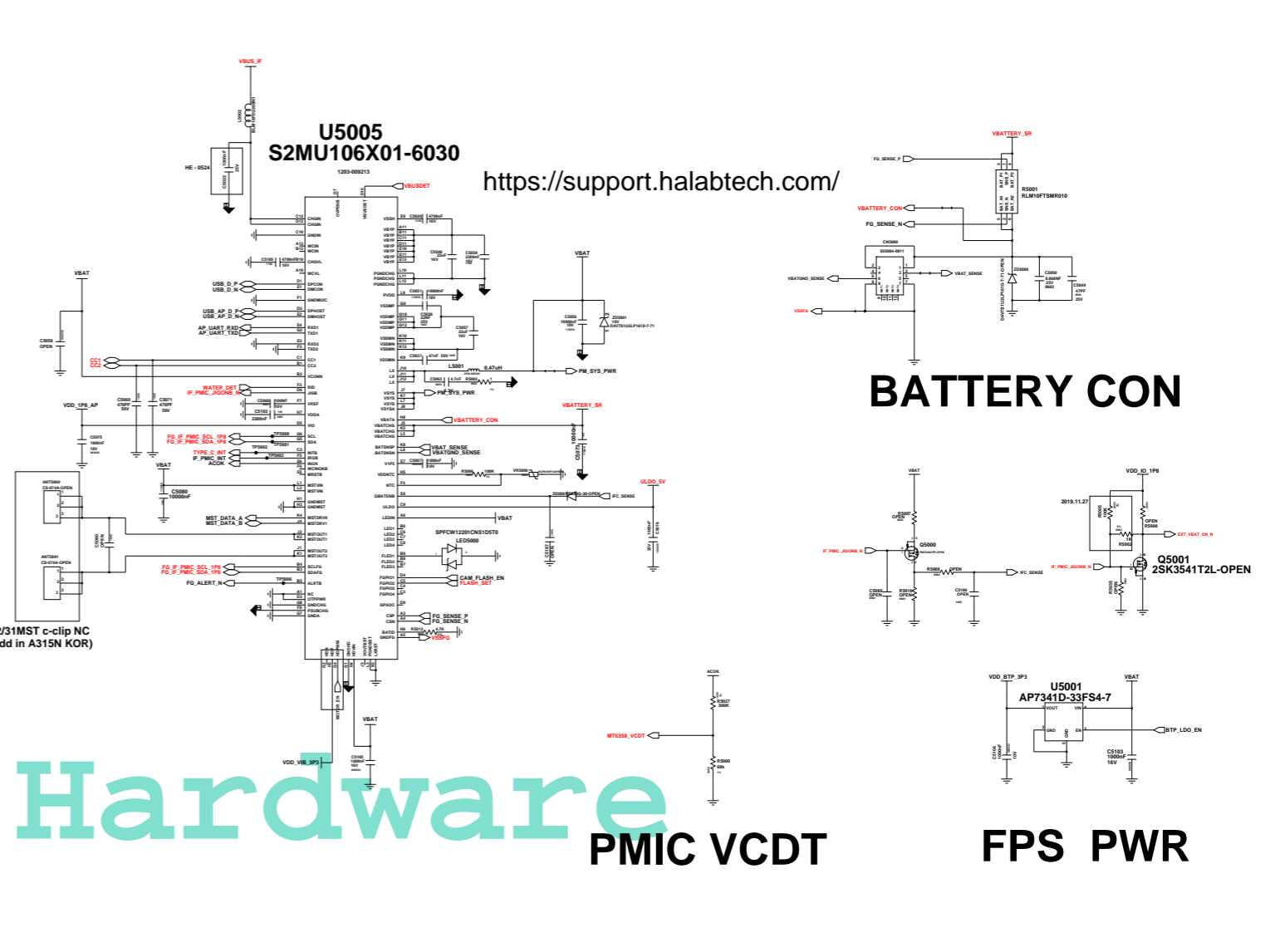
Ali Pro +967777617810

MAIN_PMIC(MTK_MT6358_6.4x6)



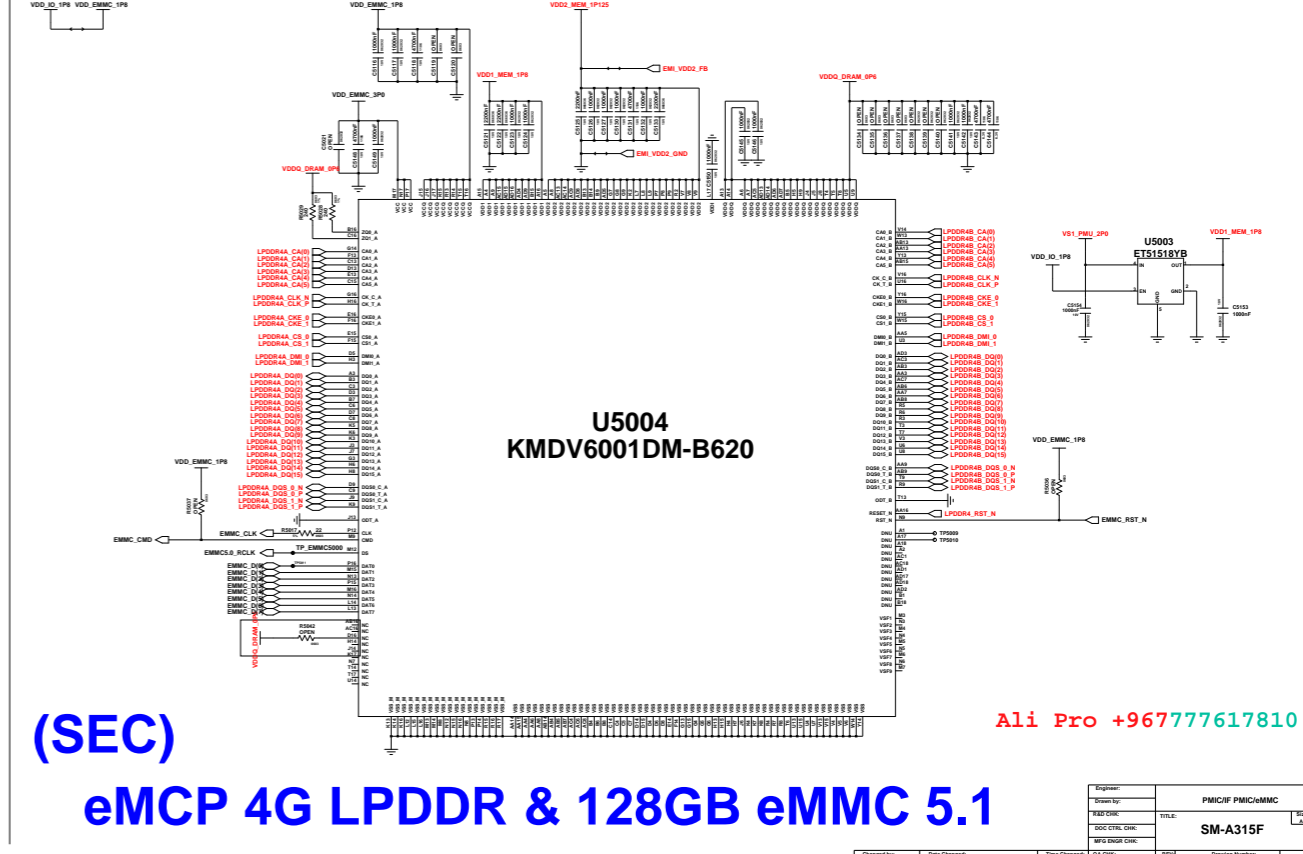
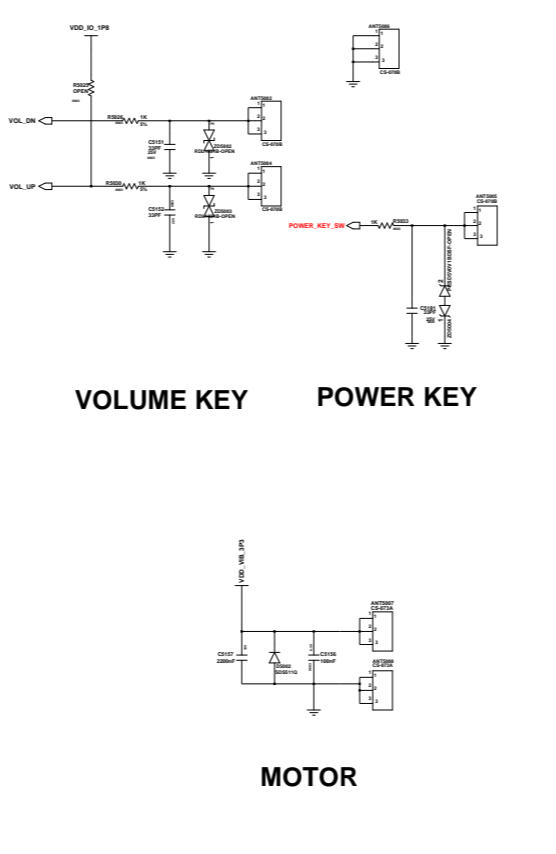
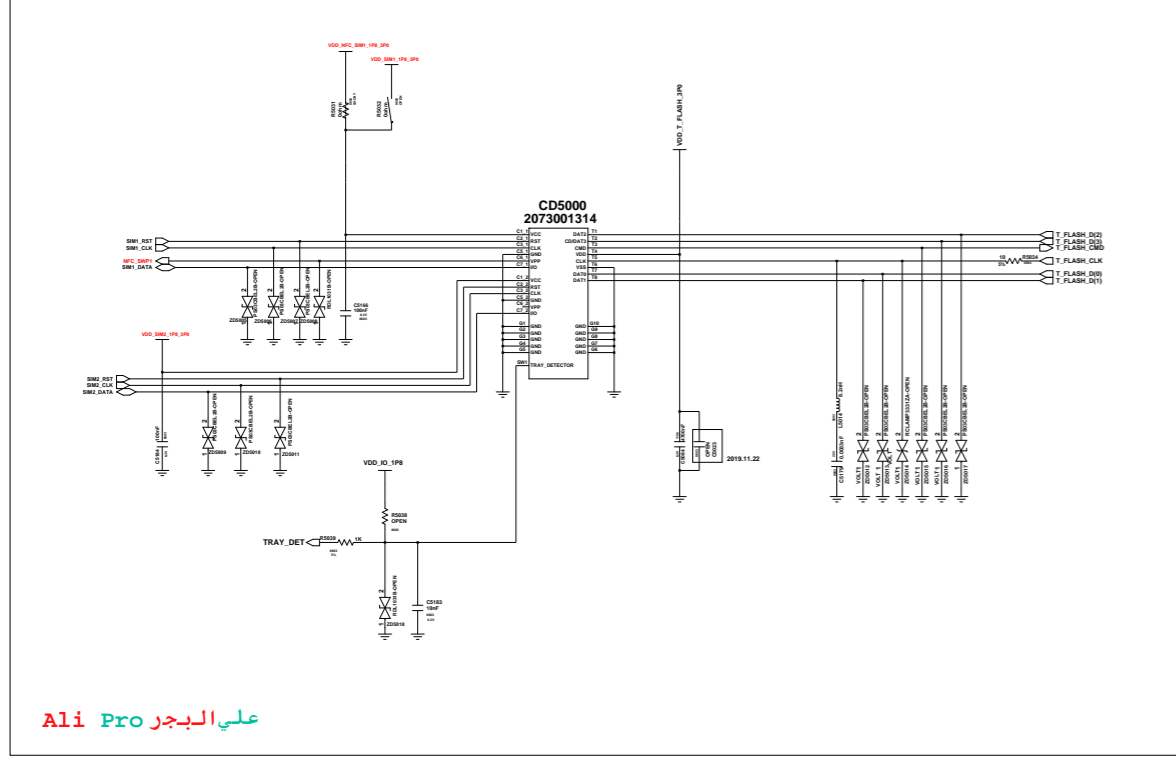
ALL Pro

IF_PMIC(S.LSI_S2MU106X01_5.2x4.8)



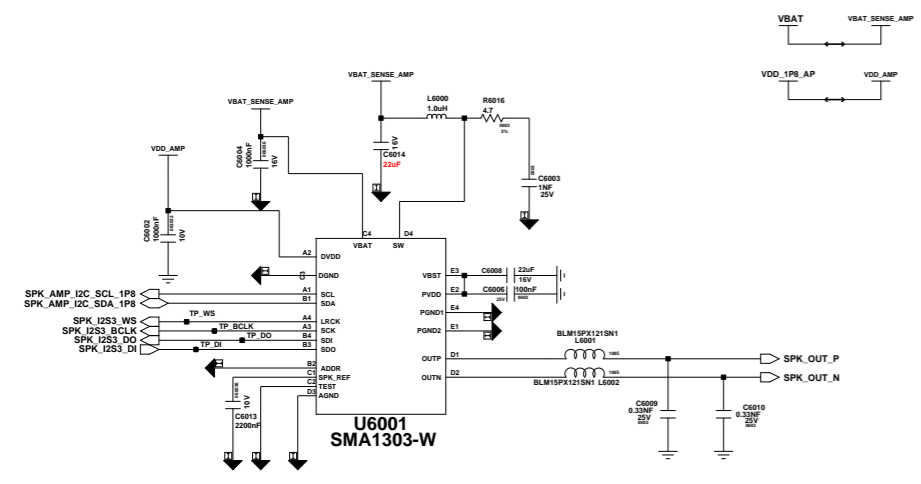
Hardware

SIM & SD CARD (3IN3)

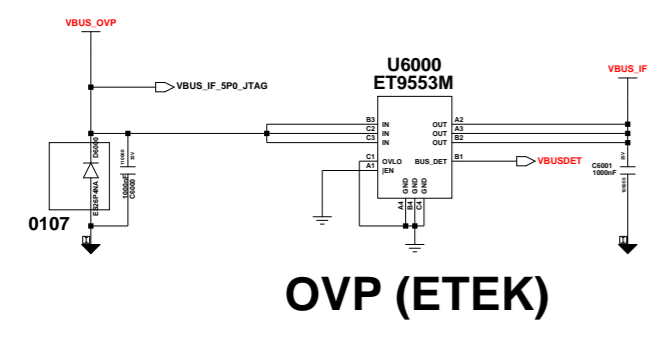


(SEC)
eMCP 4G LPDDR & 128GB eMMC 5.1

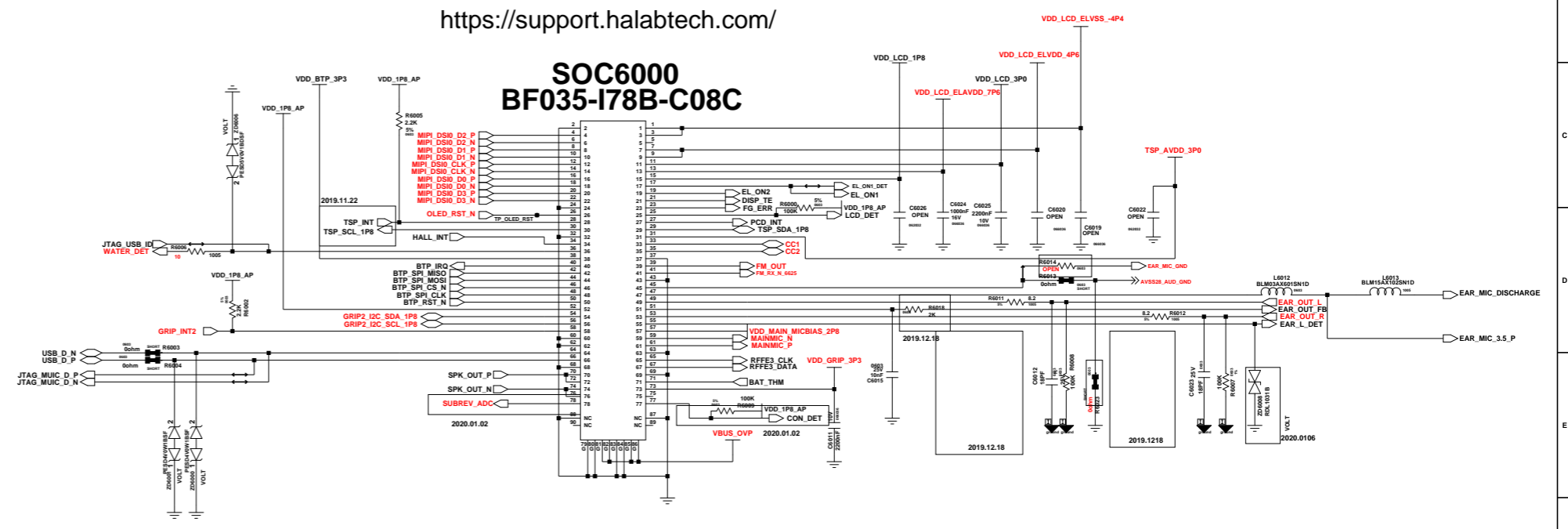
Ali Pro +967777617810



SPK AMP
Silicon Mitus



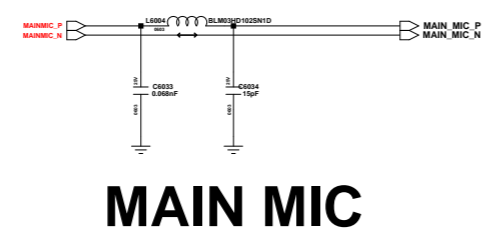
OVP (ETEK)



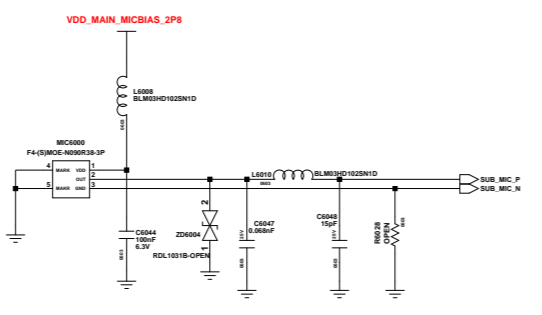
**MAIN FPCB(78PIN)
DISPLAY(6.38" FHD+) & SUB PBA**

Ali Pro Hardware

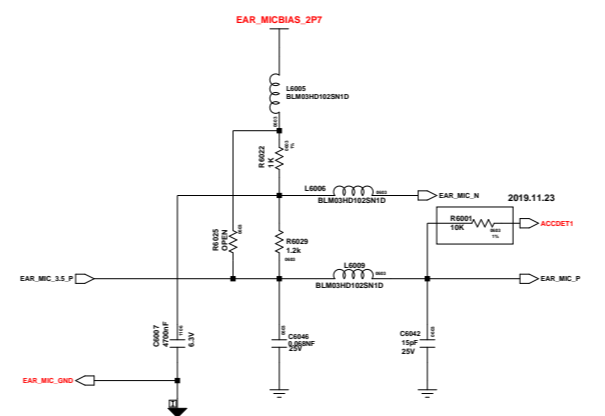
AUDIO



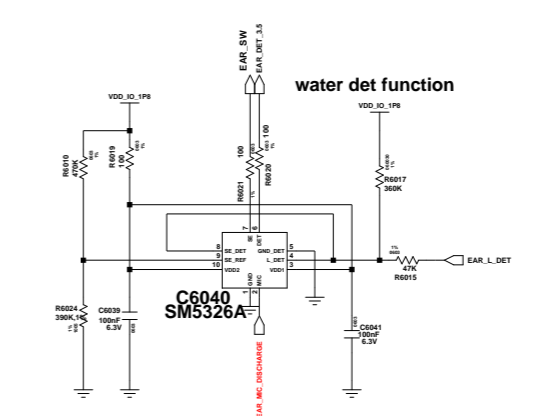
MAIN MIC



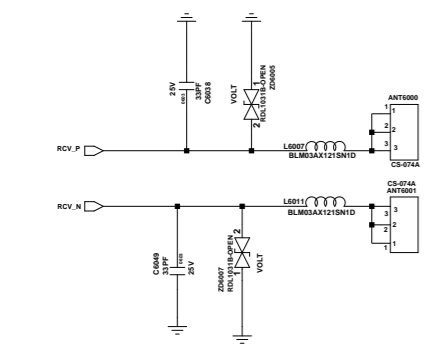
Sub MIC SANICO



EAR MIC



EAR detection IC



RCV CONTACT



2019.12.18
EAR SW delete

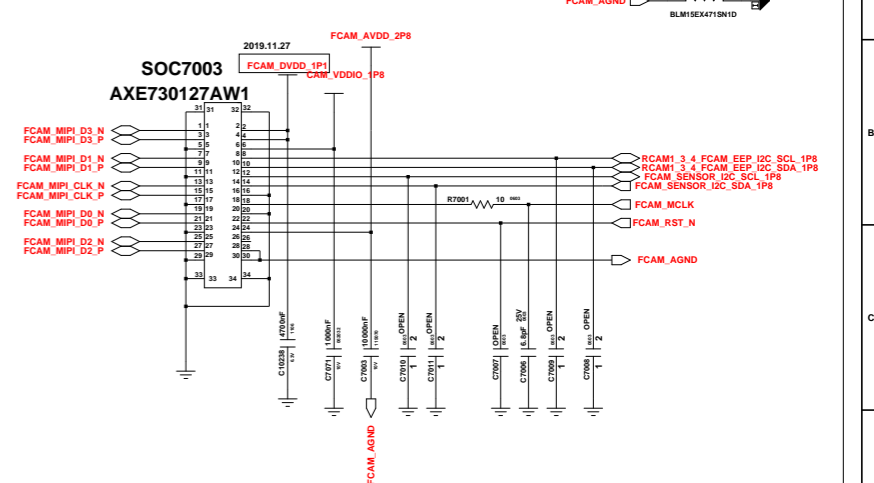
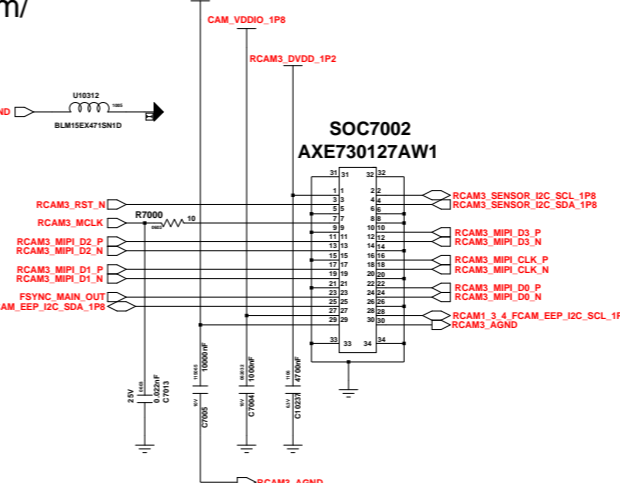
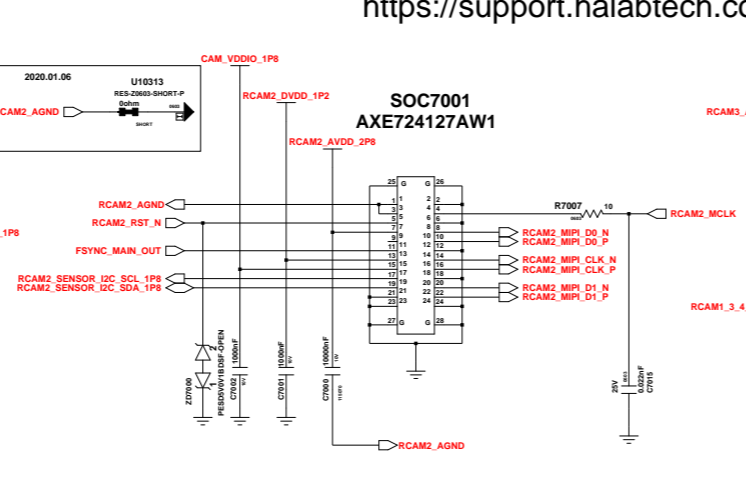
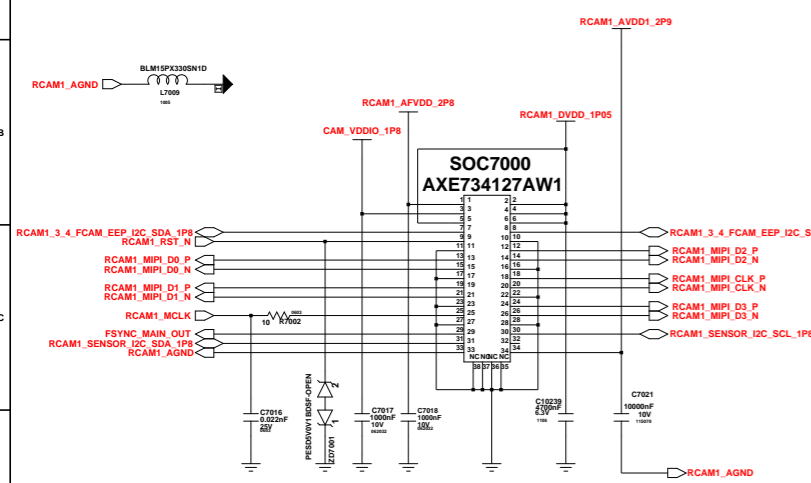
Ali Pro +967777617810

Engineer:	AUDIO, SIM/SD, SHIELD CAN
Drawn by:	
R&D CHK:	TITLE:
DOC CTRL CHK:	SM-A315F
MFG ENGR CHK:	
GA CHK:	REV:
Date Changed:	Drawing Number:
Time Changed:	Page: 6/7

CAMERA_PART

<https://support.halabtech.com/>

2019.11.19

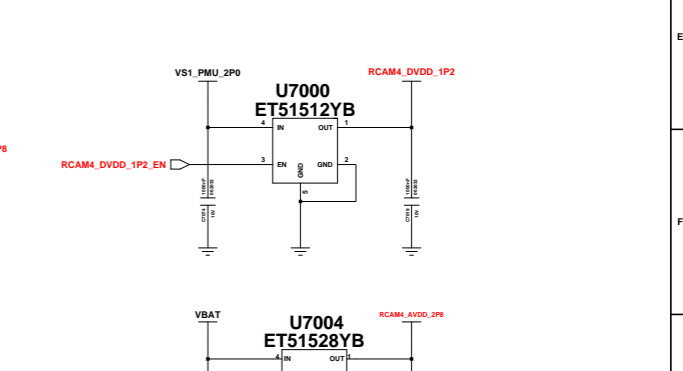
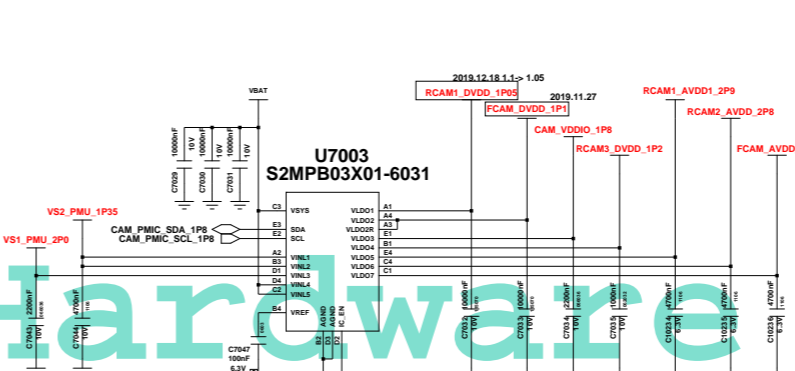
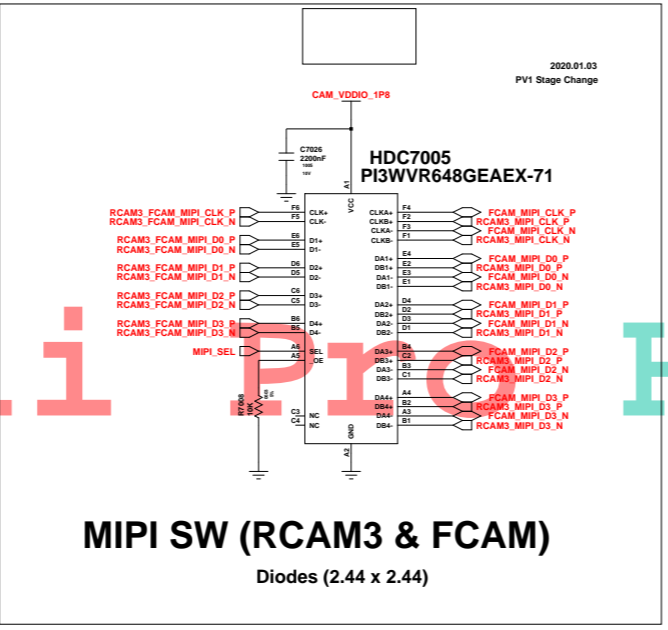
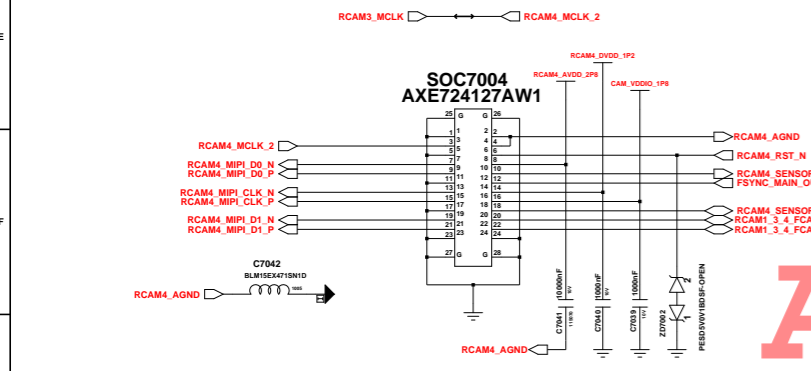


RCAM1_48M(34PIN)

RCAM2_5M (24PIN)

RCAM3_SUPER WIDE_8M(30pin)

FCAM_20M(30PIN)

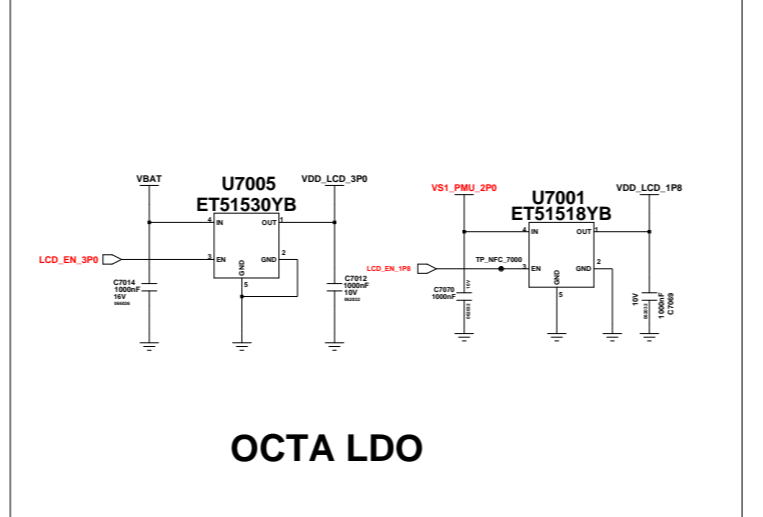
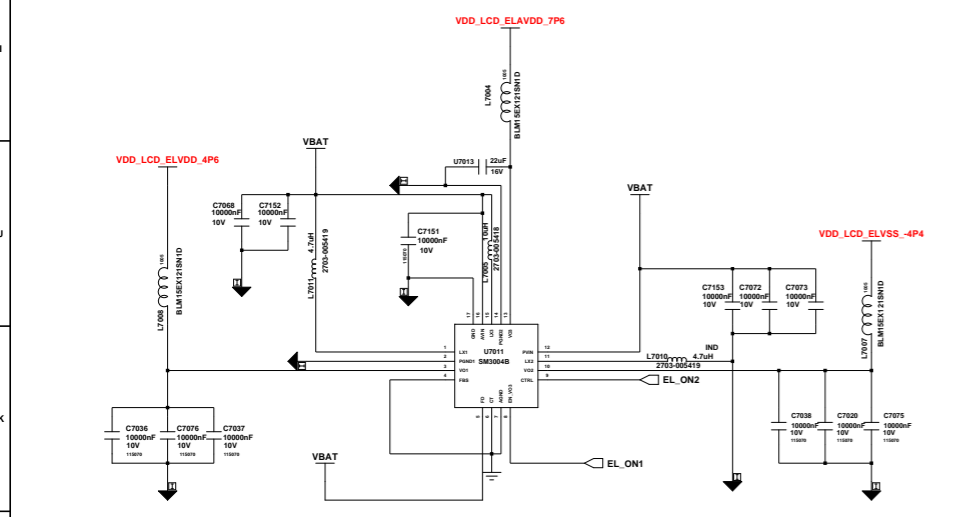


RCAM4_5M Macro(24PIN)

MIPI SW (RCAM3 & FCAM)
Diodes (2.44 x 2.44)

CAM PMIC

RCAM4 LDO



OCTA DCDC

OCTA LDO

8/128 ALL SHOT

REGION	MEMORY	TOP
R7003 8ohm	G(SEA,LA)	R7011 8ohm
R7009 8ohm	F(CIS,MEA,SWA)	R7012 8ohm
R7005 8ohm	N(KOREA)	R7013 8ohm
R7014 8ohm	NFC_X (Short = Not use)	U10314 8ohm

SHIELD CAN

2D BARCODE

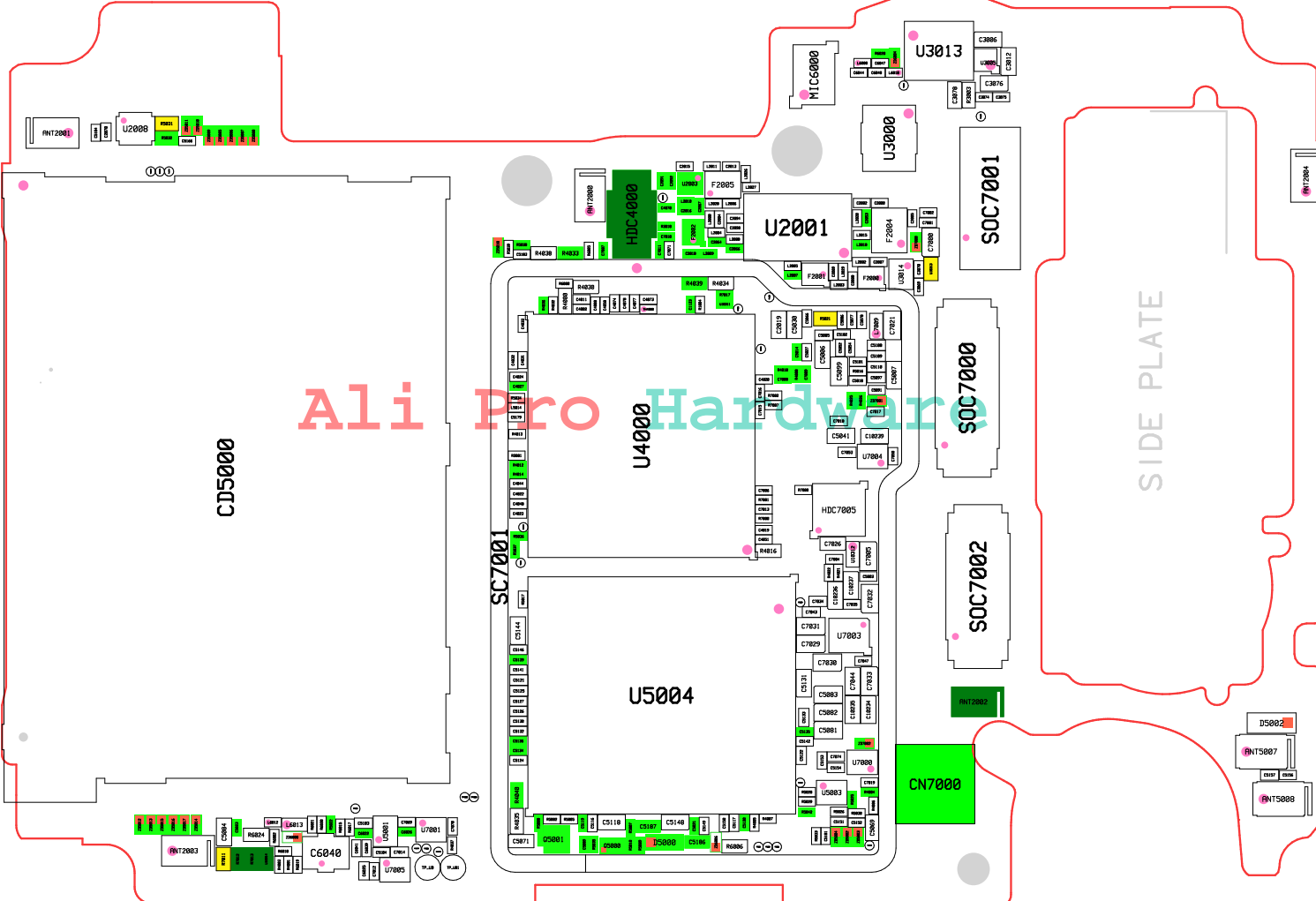
BOSS HOLE

Ali Pro +967777617810

Engineer:	CAMERA, DISPLAY
Drawn by:	SM-A315F
DOC CTRL CHK:	
MFG ENGR CHK:	
QA CHK:	
REV:	
Drawing Number:	
Page:	7/7

A

A



Ali Pro Hardware

CD5000

U4000

U5004

U2001

U3000

U3013

SOC7001

SOC7000

SOC7002

SOC7003

CN7000

HDC4000

MTC6000

HDC7005

D5002

D5002

RNT5007

RNT5008

