

Ali Pro +967777617810

# I2C Configuration Table

GPIO4 GPIO5	AUDIO&NFC&BL
GPIO22 GPIO23	48M&R 8M
GPIO29 GPIO30	2M&2M&F 8M
GPIO96 GPIO97	
GPIO109 GPIO110	PL&M Sensor I2C
LPI GPIO21 LPI GPIO22	G&SAR Sensor I2C

Ali Pro +967777617810

Table of Content

Sheet	Content	Sheet	Content
01.	Block Diagram	24.	AUDIO SPK PA
02.	I2C Configuration Table	25.	GP MIC_REV
03.	Table of Content	26.	SENSORS MOTOR
04.	GPIO MAP	27.	LCD TP_EL
05.	SM4250 Control/UFS/SDC1/SDC2	28.	REAR&FRONT CAM/pm8008
06.	SM4250 LPDDR4X	29.	Fingerprint
07.	SM4250 CSI/DSI	30.	BTB_CONN_OVP
08.	SM4250 GPIO (Internal Codec)	31.	RF_WTR3925_Pin_Out
09.	SM4250 Power (Core)	32.	RF_WTR3925_RF_TX
10.	SM4250 Power (Other, LP4X)	33:	RF_WTR3925_RF_PRX
11.	SM4250 Ground	34:	RF_WTR3925_RF_DRX
12.	PM4250 CLKs/Control_GND	35:	RF_WIFI_BT_GPS
13.	PM4250 Buck Converter1	36:	RF_WCN3950
14.	PM4250 Buck Converter2	37:	RF_NFC
15.	PM4250 LDO	38:	QET
16.		39:	Test Points
17.	SD SIM		
18.	PMI632 CHARGING BATCON		
19.	PMI632 Control/Display/GPIO		
20.	uFS		
21.	AUXADC Thermal		
22.	Audio_CODEC WCD9370		
23.	Key PAD		

Ali Pro +967777617810

## GPIO MAP SM6115 GPIO Configuration

GPIO_0	NFC_SPI_MISO	GPIO_42		GPIO_84	
GPIO_1	NFC_SPI_MOSI	GPIO_43	GRFC_6	GPIO_85	LCM_RST
GPIO_2	NFC_SPI_CLK	GPIO_44	GRFC_7	GPIO_86	NFC_CLK_REQ
GPIO_3	NFC_SPI_CS1_N	GPIO_45	GRFC_8	GPIO_87	WCN_SW_CTRL
GPIO_4	APPS_I2C_SDA	GPIO_46	GRFC_9	GPIO_88	SD_DET
GPIO_5	APPS_I2C_SCL	GPIO_47	GRFC_10	GPIO_89	Modem_ID3
GPIO_6	TP_SPI_MISO	GPIO_48		GPIO_90	MSS_LTE_COXM_TXD
GPIO_7	TP_SPI_MOSI	GPIO_49	GRFC_12	GPIO_91	MSS_LTE_COXM_RXD
GPIO_8	WCN_UART_CTS_N	GPIO_50		GPIO_92	WCD9370_RST_N
GPIO_9	WCN_UART_RFR_N	GPIO_51		GPIO_93	FP_POWER_EN
GPIO_10	WCN_UART_TX_N	GPIO_52		GPIO_94	FORCED_USB_BOOT_POL_SEL
GPIO_11	WCN_UART_RX_N	GPIO_53	RFFE1_DATA	GPIO_95	FORCED_USB_BOOT
GPIO_12	MSM_UART_TX	GPIO_54	RFFE1_CLK	GPIO_96	PA_I2C_SDA
GPIO_13	MSM_UART_RX	GPIO_55		GPIO_97	PA_I2C_SCL
GPIO_14	FP_SPI_MISO	GPIO_56		GPIO_98	PA_SPK_RST
GPIO_15	FP_SPI_MOSI	GPIO_57	RFFE3_DATA	GPIO_99	LCD_ID0
GPIO_16	FP_SPI_CLK	GPIO_58	RFFE3_CLK	GPIO_100	LCD_ID1
GPIO_17	FP_SPI_CS_N	GPIO_59		GPIO_101	LCD_ID2
GPIO_18	CAM_3_PDN	GPIO_60		GPIO_102	USB_SS_SEL
GPIO_19	CAM_F_RST	GPIO_61		GPIO_103	CTP_RST
GPIO_20	CAM_R_MCLK	GPIO_62	RFFE5_DATA	GPIO_104	CTP_EINT
GPIO_21	CAM_F_MCLK	GPIO_63	RFFE5_CLK	GPIO_105	SMB_STAT
GPIO_22	CAM_I2C_SDA0	GPIO_64	EXT_GPS_LNA_EN0	GPIO_106	ALS_EINT
GPIO_23	CAM_I2C_SCL0	GPIO_65	CH0_GSM_TX_PHASE_D0	GPIO_107	PA_RSV_RST
GPIO_24	CAM_2_RST	GPIO_66	CAM_R_RST	GPIO_108	DSI_TE
GPIO_25	PM8008_INT_N	GPIO_67	NC	GPIO_109	Sensor_I2C_SDA
GPIO_26	PM8008_RST_N	GPIO_68	Modem_ID1	GPIO_110	Sensor_I2C_SCL
GPIO_27	CAM_MCLK_2	GPIO_69	SUB_ID	GPIO_111	CONFIG0
GPIO_28	CAM_MCLK_3	GPIO_70	NFC_ENABLE	GPIO_112	CONFIG1
GPIO_29	CAM_I2C_SDA1	GPIO_71	NFC_INT_N	LPI_GPIO_0	SWR_TX_CLK
GPIO_30	CAM_I2C_SCL1	GPIO_72	TP_SPI_SCLK	LPI_GPIO_1	SWR_TX_DATA0
GPIO_31	NFC_DWL_REQ	GPIO_73	UIM2_DATA	LPI_GPIO_2	SWR_TX_DATA1
GPIO_32	FP_ID1	GPIO_74	UIM2_CLK	LPI_GPIO_3	SWR_RX_CLK
GPIO_33	FP_ID2	GPIO_75	UIM2_RESET	LPI_GPIO_4	SWR_RX_DATA0
GPIO_34	FP_EINT	GPIO_76	UIM2_DET	LPI_GPIO_5	SWR_RX_DATA1
GPIO_35	FP_RST	GPIO_77	UIM1_DATA	LPI_GPIO_14	QCA_SB_CLK
GPIO_36	G_EINT_ACC	GPIO_78	UIM1_CLK	LPI_GPIO_15	QCA_SB_DATA
GPIO_37	GRFC_0	GPIO_79	UIM1_RESET	LPI_GPIO_21	Sensor_I3C_SDA
GPIO_38	GRFC_1	GPIO_80	UIM1_DET	LPI_GPIO_22	Sensor_I3C_SCL
GPIO_39	GRFC_2	GPIO_81	TP_SPI_CS_N	LPI_GPIO_25	
GPIO_40	ANT_TEST	GPIO_82	Modem_ID2	LPI_GPIO_26	
GPIO_41		GPIO_83	Modem_ID4		

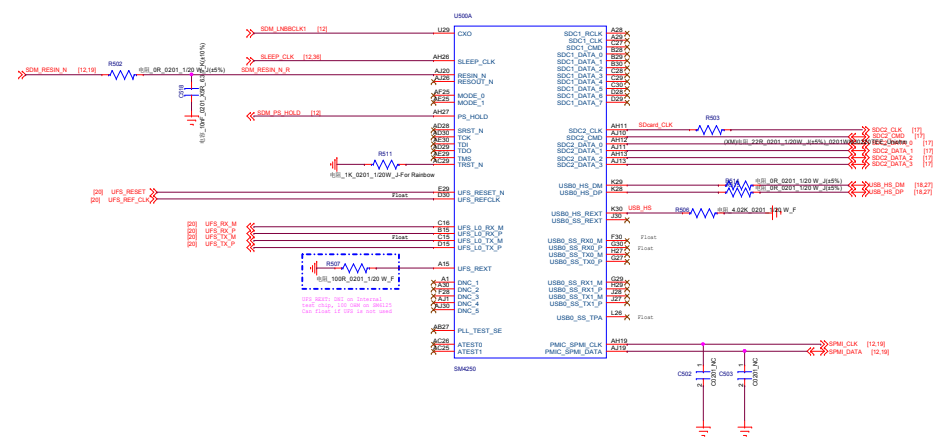
## PM4250 GPIO Configuration

GPIO_1	DSP_CLK	GPIO_8	USB_MOS_CTRL
GPIO_2	FLASH_THERMAL	GPIO_9	
GPIO_3	USB1_THERM		
GPIO_4	USB2_THERM		
GPIO_5	KEY_VOL_UP		
GPIO_6	BB_THERM		
GPIO_7	Modem_ID5		

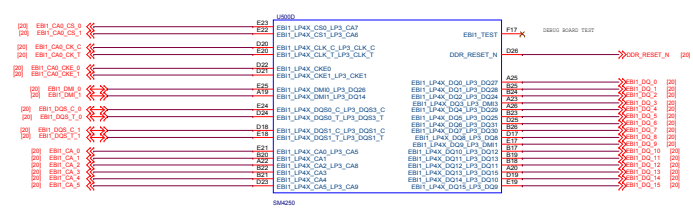
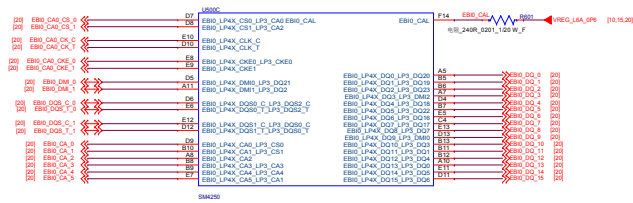
## PMI632 GPIO Configuration

GPIO_1	NC	GPIO_8	ISNS_SMB_M
GPIO_2	STAT_CHG		
GPIO_3	PMI632_THERM		
GPIO_4			
GPIO_5			
GPIO_6			
GPIO_7	ISNS_SMB_P		

All Pro +967777617810



Ali Pro +967777617810



Ali Pro +967777617810



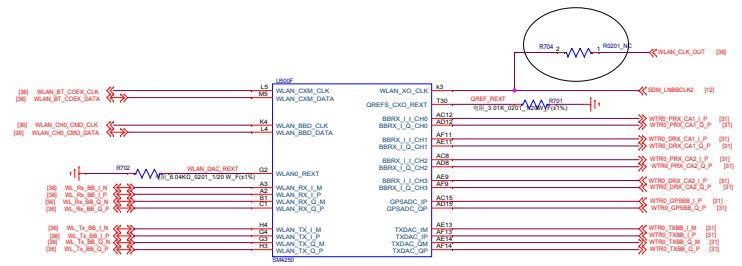
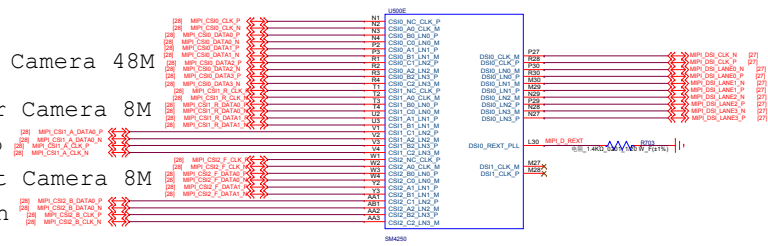
Main MONO Camera 48M

Rear Camera 8M

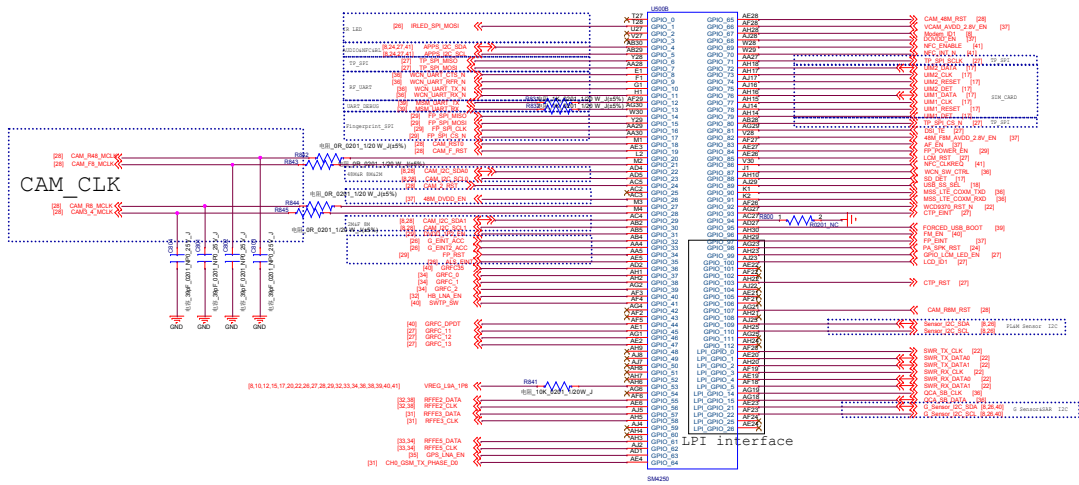
2M=Macro

Front Camera 8M

2M=Depth



Ali Pro +967777617810



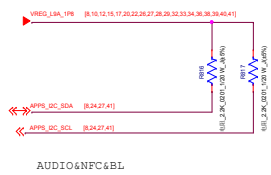
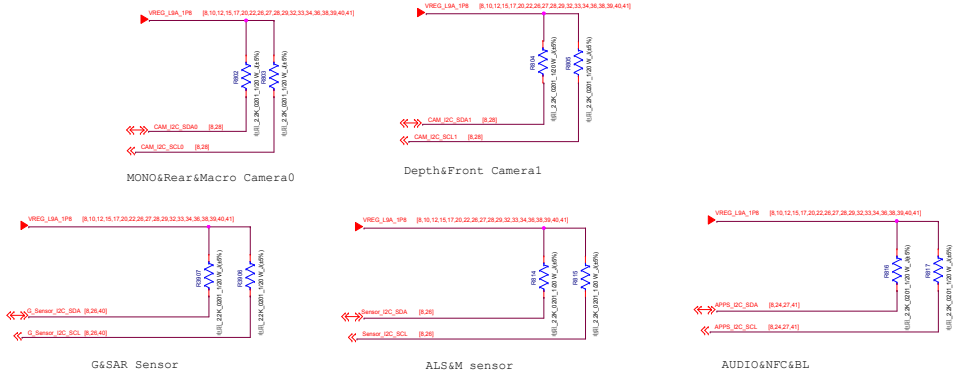
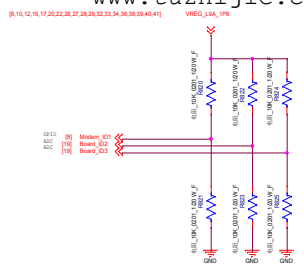
BOOT Config GPIOs	Functionality
GPIO_95	Forced_USB_BOOT
BOOT Config[0]:GPIO_48	WDG_DISABLE
BOOT Config[1]:GPIO_50	FASTBOOT_SEL[0]
BOOT Config[2]:GPIO_51	FASTBOOT_SEL[1]
BOOT Config[3]:GPIO_53	FASTBOOT_SEL[2]
BOOT Config[4]:GPIO_55	FASTBOOT_SEL[3]
GPIO_94	Forced_USB_BOOT_POL_SEL

FASTBOOT_SEL[3:0]	BOOT OPTIONS
0b0000	0:Default(eMMC>SD>eDL(eDL path-USB only))
0b0001	1:SD>eMMC>eDL(eDL path-USB only)
0b0010	2:SD>eDL(eDL path-USB only)
0b0011	3:USB>eDL(eDL path-SD then USB)
0b0100	5:UFS HS G1>SD>eDL(eDL path-USB only)
0b0101	4:SD>UFS HS G1>eDL(eDL path-USB only)
0b1100	6:UFS HS G1>eDL(eDL path-USB only)
0b0111	7:eMMC>SD>eDL(eDL path-USB only)
0b1000	8:eMMC>eDL(eDL path-USB only)

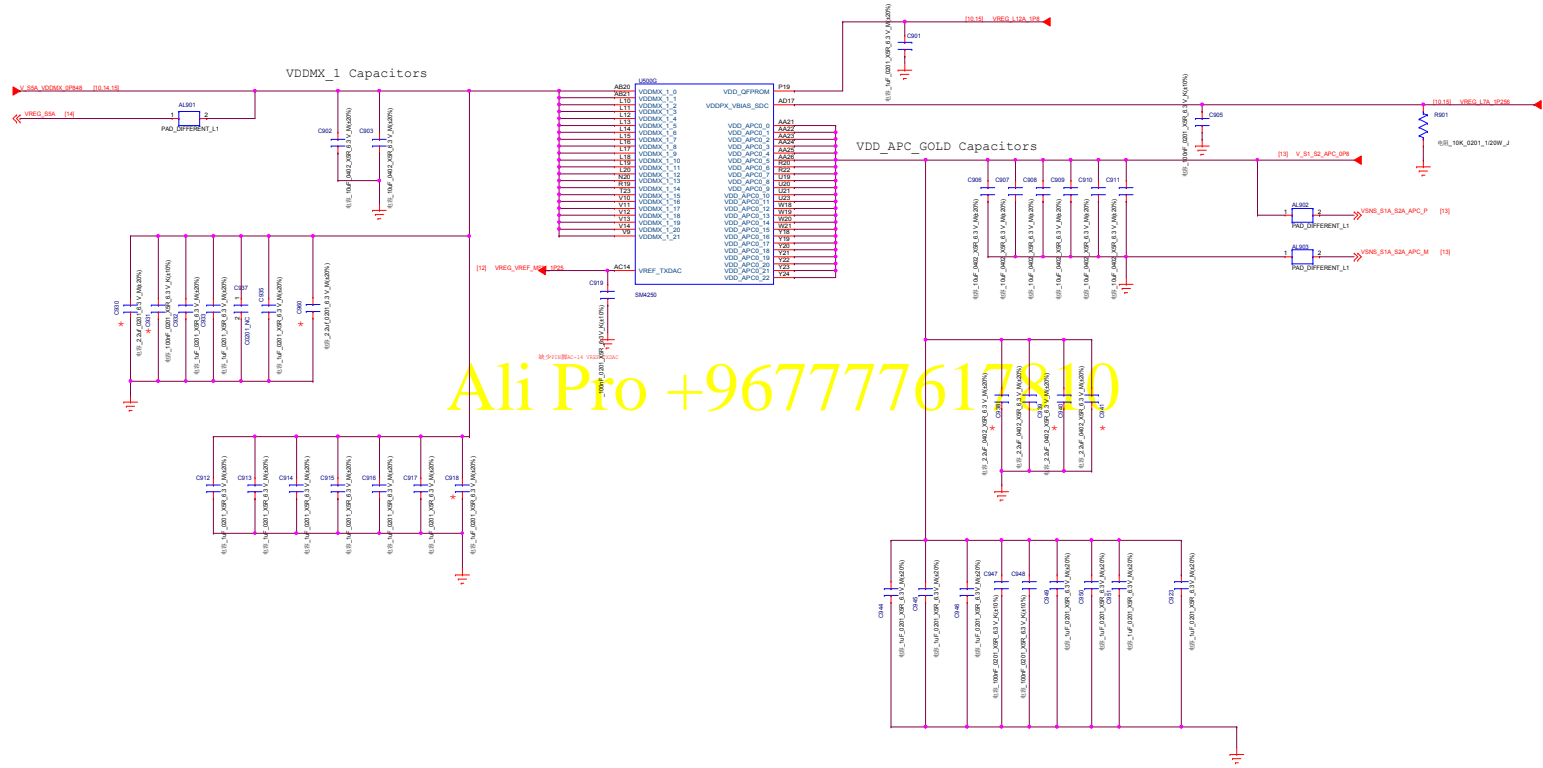
Ali Pro +967777617810

I2C pull up

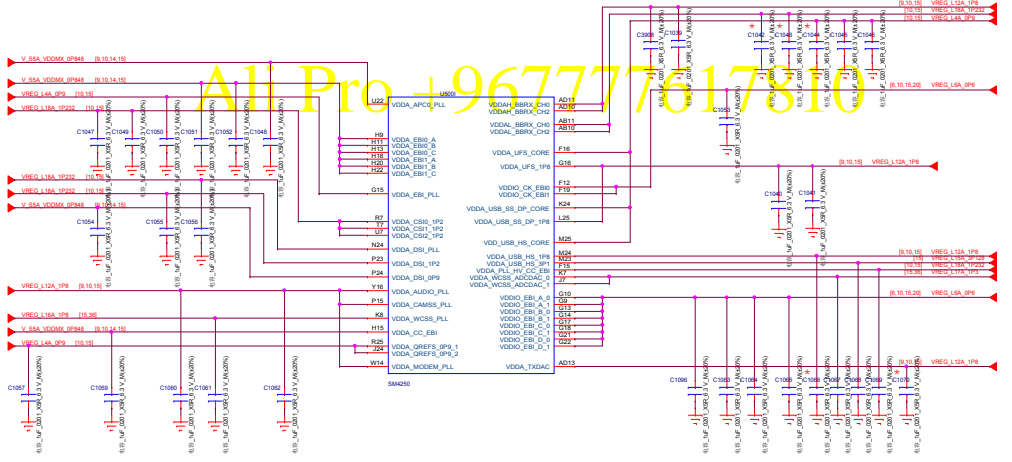
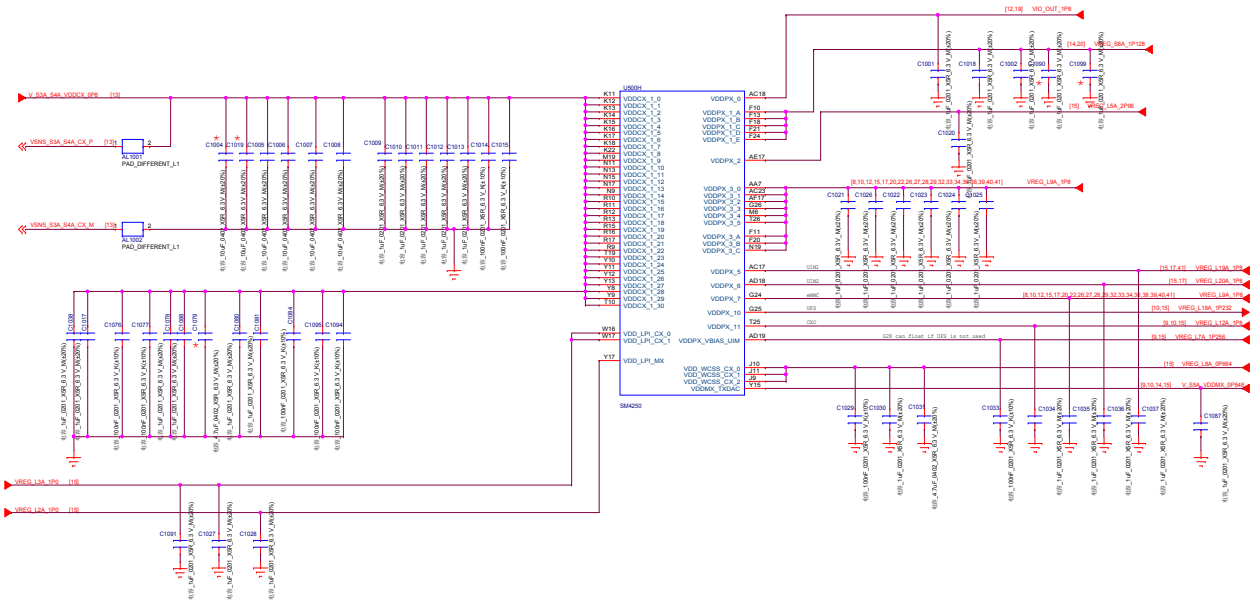
Hardware&Board ID  
www.tuzhijie.com



Company Name	
Block Title	SM8115 GPIO (Internal Code)
Project	J155_M_V1 Rev 1.0
Date	Friday, August 28, 2020 8:27 AM



Ali Pro +967777617810



All Pro +96777617810

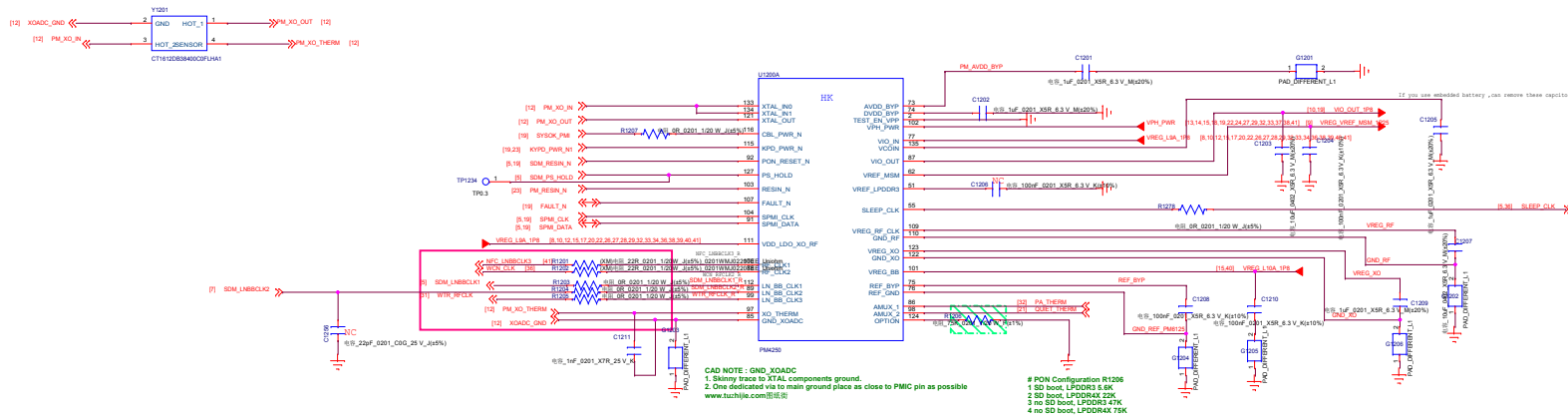
Company Name	
Block Title SM4250 Power (Chic, LFN)	
Project J195_MB_V1	Rev 1.0
Date Friday, August 08, 2008	Sheet 10 of 41

VSSM			
A13	VSSM_0	VSSM_0_50	C10
A14	VSSM_0_1	VSSM_0_51	C11
A15	VSSM_0_2	VSSM_0_52	C12
A16	VSSM_0_3	VSSM_0_53	C13
A17	VSSM_0_4	VSSM_0_54	C14
A18	VSSM_0_5	VSSM_0_55	C15
A19	VSSM_0_6	VSSM_0_56	C16
A20	VSSM_0_7	VSSM_0_57	C17
A21	VSSM_0_8	VSSM_0_58	C18
A22	VSSM_0_9	VSSM_0_59	C19
A23	VSSM_0_10	VSSM_0_60	C20
A24	VSSM_0_11	VSSM_0_61	C21
A25	VSSM_0_12	VSSM_0_62	C22
A26	VSSM_0_13	VSSM_0_63	C23
A27	VSSM_0_14	VSSM_0_64	C24
A28	VSSM_0_15	VSSM_0_65	C25
A29	VSSM_0_16	VSSM_0_66	C26
A30	VSSM_0_17	VSSM_0_67	C27
A31	VSSM_0_18	VSSM_0_68	C28
A32	VSSM_0_19	VSSM_0_69	C29
A33	VSSM_0_20	VSSM_0_70	C30
A34	VSSM_0_21	VSSM_0_71	C31
A35	VSSM_0_22	VSSM_0_72	C32
A36	VSSM_0_23	VSSM_0_73	C33
A37	VSSM_0_24	VSSM_0_74	C34
A38	VSSM_0_25	VSSM_0_75	C35
A39	VSSM_0_26	VSSM_0_76	C36
A40	VSSM_0_27	VSSM_0_77	C37
A41	VSSM_0_28	VSSM_0_78	C38
A42	VSSM_0_29	VSSM_0_79	C39
A43	VSSM_0_30	VSSM_0_80	C40
A44	VSSM_0_31	VSSM_0_81	C41
A45	VSSM_0_32	VSSM_0_82	C42
A46	VSSM_0_33	VSSM_0_83	C43
A47	VSSM_0_34	VSSM_0_84	C44
A48	VSSM_0_35	VSSM_0_85	C45
A49	VSSM_0_36	VSSM_0_86	C46
A50	VSSM_0_37	VSSM_0_87	C47
A51	VSSM_0_38	VSSM_0_88	C48
A52	VSSM_0_39	VSSM_0_89	C49
A53	VSSM_0_40	VSSM_0_90	C50
A54	VSSM_0_41	VSSM_0_91	C51
A55	VSSM_0_42	VSSM_0_92	C52
A56	VSSM_0_43	VSSM_0_93	C53
A57	VSSM_0_44	VSSM_0_94	C54
A58	VSSM_0_45	VSSM_0_95	C55
A59	VSSM_0_46	VSSM_0_96	C56
A60	VSSM_0_47	VSSM_0_97	C57
A61	VSSM_0_48	VSSM_0_98	C58
A62	VSSM_0_49	VSSM_0_99	C59

VSSM			
V7	VSSM_0_100	VSSA_WCSS_ADDDAC_0_0	U8
V8	VSSM_0_101	VSSA_WCSS_ADDDAC_0_1	U9
V9	VSSM_0_102	VSSA_WCSS_ADDDAC_0_2	U10
V10	VSSM_0_103	VSSA_WCSS_ADDDAC_0_3	U11
V11	VSSM_0_104	VSSA_WCSS_ADDDAC_0_4	U12
V12	VSSM_0_105	VSSA_WCSS_ADDDAC_0_5	U13
V13	VSSM_0_106	VSSA_WCSS_ADDDAC_0_6	U14
V14	VSSM_0_107	VSSA_WCSS_ADDDAC_0_7	U15
V15	VSSM_0_108	VSSA_WCSS_ADDDAC_0_8	U16
V16	VSSM_0_109	VSSA_WCSS_ADDDAC_0_9	U17
V17	VSSM_0_110	VSSA_WCSS_ADDDAC_0_10	U18
V18	VSSM_0_111	VSSA_WCSS_ADDDAC_0_11	U19
V19	VSSM_0_112	VSSA_WCSS_ADDDAC_0_12	U20
V20	VSSM_0_113	VSSA_WCSS_ADDDAC_0_13	U21
V21	VSSM_0_114	VSSA_WCSS_ADDDAC_0_14	U22
V22	VSSM_0_115	VSSA_WCSS_ADDDAC_0_15	U23
V23	VSSM_0_116	VSSA_WCSS_ADDDAC_0_16	U24
V24	VSSM_0_117	VSSA_WCSS_ADDDAC_0_17	U25
V25	VSSM_0_118	VSSA_WCSS_ADDDAC_0_18	U26
V26	VSSM_0_119	VSSA_WCSS_ADDDAC_0_19	U27
V27	VSSM_0_120	VSSA_WCSS_ADDDAC_0_20	U28
V28	VSSM_0_121	VSSA_WCSS_ADDDAC_0_21	U29
V29	VSSM_0_122	VSSA_WCSS_ADDDAC_0_22	U30
V30	VSSM_0_123	VSSA_WCSS_ADDDAC_0_23	U31
V31	VSSM_0_124	VSSA_WCSS_ADDDAC_0_24	U32
V32	VSSM_0_125	VSSA_WCSS_ADDDAC_0_25	U33
V33	VSSM_0_126	VSSA_WCSS_ADDDAC_0_26	U34
V34	VSSM_0_127	VSSA_WCSS_ADDDAC_0_27	U35
V35	VSSM_0_128	VSSA_WCSS_ADDDAC_0_28	U36
V36	VSSM_0_129	VSSA_WCSS_ADDDAC_0_29	U37
V37	VSSM_0_130	VSSA_WCSS_ADDDAC_0_30	U38
V38	VSSM_0_131	VSSA_WCSS_ADDDAC_0_31	U39
V39	VSSM_0_132	VSSA_WCSS_ADDDAC_0_32	U40
V40	VSSM_0_133	VSSA_WCSS_ADDDAC_0_33	U41
V41	VSSM_0_134	VSSA_WCSS_ADDDAC_0_34	U42
V42	VSSM_0_135	VSSA_WCSS_ADDDAC_0_35	U43
V43	VSSM_0_136	VSSA_WCSS_ADDDAC_0_36	U44
V44	VSSM_0_137	VSSA_WCSS_ADDDAC_0_37	U45
V45	VSSM_0_138	VSSA_WCSS_ADDDAC_0_38	U46
V46	VSSM_0_139	VSSA_WCSS_ADDDAC_0_39	U47
V47	VSSM_0_140	VSSA_WCSS_ADDDAC_0_40	U48
V48	VSSM_0_141	VSSA_WCSS_ADDDAC_0_41	U49
V49	VSSM_0_142	VSSA_WCSS_ADDDAC_0_42	U50
V50	VSSM_0_143	VSSA_WCSS_ADDDAC_0_43	U51
V51	VSSM_0_144	VSSA_WCSS_ADDDAC_0_44	U52
V52	VSSM_0_145	VSSA_WCSS_ADDDAC_0_45	U53
V53	VSSM_0_146	VSSA_WCSS_ADDDAC_0_46	U54
V54	VSSM_0_147	VSSA_WCSS_ADDDAC_0_47	U55
V55	VSSM_0_148	VSSA_WCSS_ADDDAC_0_48	U56
V56	VSSM_0_149	VSSA_WCSS_ADDDAC_0_49	U57
V57	VSSM_0_150	VSSA_WCSS_ADDDAC_0_50	U58
V58	VSSM_0_151	VSSA_WCSS_ADDDAC_0_51	U59
V59	VSSM_0_152	VSSA_WCSS_ADDDAC_0_52	U60
V60	VSSM_0_153	VSSA_WCSS_ADDDAC_0_53	U61
V61	VSSM_0_154	VSSA_WCSS_ADDDAC_0_54	U62
V62	VSSM_0_155	VSSA_WCSS_ADDDAC_0_55	U63
V63	VSSM_0_156	VSSA_WCSS_ADDDAC_0_56	U64
V64	VSSM_0_157	VSSA_WCSS_ADDDAC_0_57	U65
V65	VSSM_0_158	VSSA_WCSS_ADDDAC_0_58	U66
V66	VSSM_0_159	VSSA_WCSS_ADDDAC_0_59	U67
V67	VSSM_0_160	VSSA_WCSS_ADDDAC_0_60	U68
V68	VSSM_0_161	VSSA_WCSS_ADDDAC_0_61	U69
V69	VSSM_0_162	VSSA_WCSS_ADDDAC_0_62	U70
V70	VSSM_0_163	VSSA_WCSS_ADDDAC_0_63	U71
V71	VSSM_0_164	VSSA_WCSS_ADDDAC_0_64	U72
V72	VSSM_0_165	VSSA_WCSS_ADDDAC_0_65	U73
V73	VSSM_0_166	VSSA_WCSS_ADDDAC_0_66	U74
V74	VSSM_0_167	VSSA_WCSS_ADDDAC_0_67	U75
V75	VSSM_0_168	VSSA_WCSS_ADDDAC_0_68	U76
V76	VSSM_0_169	VSSA_WCSS_ADDDAC_0_69	U77
V77	VSSM_0_170	VSSA_WCSS_ADDDAC_0_70	U78
V78	VSSM_0_171	VSSA_WCSS_ADDDAC_0_71	U79
V79	VSSM_0_172	VSSA_WCSS_ADDDAC_0_72	U80
V80	VSSM_0_173	VSSA_WCSS_ADDDAC_0_73	U81
V81	VSSM_0_174	VSSA_WCSS_ADDDAC_0_74	U82
V82	VSSM_0_175	VSSA_WCSS_ADDDAC_0_75	U83
V83	VSSM_0_176	VSSA_WCSS_ADDDAC_0_76	U84
V84	VSSM_0_177	VSSA_WCSS_ADDDAC_0_77	U85
V85	VSSM_0_178	VSSA_WCSS_ADDDAC_0_78	U86
V86	VSSM_0_179	VSSA_WCSS_ADDDAC_0_79	U87
V87	VSSM_0_180	VSSA_WCSS_ADDDAC_0_80	U88
V88	VSSM_0_181	VSSA_WCSS_ADDDAC_0_81	U89
V89	VSSM_0_182	VSSA_WCSS_ADDDAC_0_82	U90
V90	VSSM_0_183	VSSA_WCSS_ADDDAC_0_83	U91
V91	VSSM_0_184	VSSA_WCSS_ADDDAC_0_84	U92
V92	VSSM_0_185	VSSA_WCSS_ADDDAC_0_85	U93
V93	VSSM_0_186	VSSA_WCSS_ADDDAC_0_86	U94
V94	VSSM_0_187	VSSA_WCSS_ADDDAC_0_87	U95
V95	VSSM_0_188	VSSA_WCSS_ADDDAC_0_88	U96
V96	VSSM_0_189	VSSA_WCSS_ADDDAC_0_89	U97
V97	VSSM_0_190	VSSA_WCSS_ADDDAC_0_90	U98
V98	VSSM_0_191	VSSA_WCSS_ADDDAC_0_91	U99
V99	VSSM_0_192	VSSA_WCSS_ADDDAC_0_92	U100

VSSM			
V201	VSSM_0_118	VSSM_0_166	P11
V202	VSSM_0_119	VSSM_0_167	P12
V203	VSSM_0_120	VSSM_0_168	P13
V204	VSSM_0_121	VSSM_0_169	P14
V205	VSSM_0_122	VSSM_0_170	P15
V206	VSSM_0_123	VSSM_0_171	P16
V207	VSSM_0_124	VSSM_0_172	P17
V208	VSSM_0_125	VSSM_0_173	P18
V209	VSSM_0_126	VSSM_0_174	P19
V210	VSSM_0_127	VSSM_0_175	P20
V211	VSSM_0_128	VSSM_0_176	P21
V212	VSSM_0_129	VSSM_0_177	P22
V213	VSSM_0_130	VSSM_0_178	P23
V214	VSSM_0_131	VSSM_0_179	P24
V215	VSSM_0_132	VSSM_0_180	P25
V216	VSSM_0_133	VSSM_0_181	P26
V217	VSSM_0_134	VSSM_0_182	P27
V218	VSSM_0_135	VSSM_0_183	P28
V219	VSSM_0_136	VSSM_0_184	P29
V220	VSSM_0_137	VSSM_0_185	P30
V221	VSSM_0_138	VSSM_0_186	P31
V222	VSSM_0_139	VSSM_0_187	P32
V223	VSSM_0_140	VSSM_0_188	P33
V224	VSSM_0_141	VSSM_0_189	P34
V225	VSSM_0_142	VSSM_0_190	P35
V226	VSSM_0_143	VSSM_0_191	P36
V227	VSSM_0_144	VSSM_0_192	P37
V228	VSSM_0_145	VSSM_0_193	P38
V229	VSSM_0_146	VSSM_0_194	P39
V230	VSSM_0_147	VSSM_0_195	P40
V231	VSSM_0_148	VSSM_0_196	P41
V232	VSSM_0_149	VSSM_0_197	P42
V233	VSSM_0_150	VSSM_0_198	P43
V234	VSSM_0_151	VSSM_0_199	P44
V235	VSSM_0_152	VSSM_0_200	P45
V236	VSSM_0_153	VSSM_0_201	P46
V237	VSSM_0_154	VSSM_0_202	P47
V238	VSSM_0_155	VSSM_0_203	P48
V239	VSSM_0_156	VSSM_0_204	P49
V240	VSSM_0_157	VSSM_0_205	P50
V241	VSSM_0_158	VSSM_0_206	P51
V242	VSSM_0_159	VSSM_0_207	P52
V243	VSSM_0_160	VSSM_0_208	P53
V244	VSSM_0_161	VSSM_0_209	P54
V245	VSSM_0_162	VSSM_0_210	P55
V246	VSSM_0_163	VSSM_0_211	P56
V247	VSSM_0_164	VSSM_0_212	P57
V248	VSSM_0_165	VSSM_0_213	P58
V249	VSSM_0_166	VSSM_0_214	P59
V250	VSSM_0_167	VSSM_0_215	P60

Ali Pro +967777617810



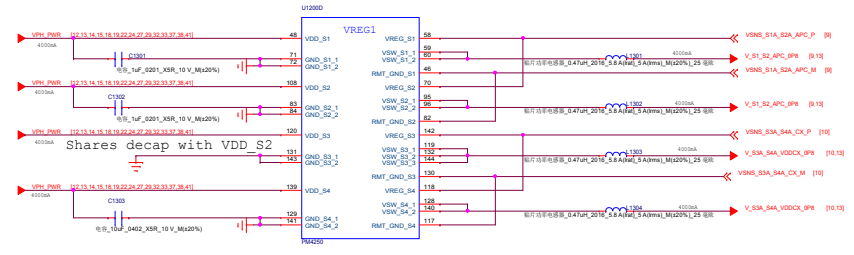
Ali Pro +967777777810

Option Pin Resistor Value	Configuration
5.6K	No External Boost Bypass, SD Card Boot, LPDDR3
22K	No External Boost Bypass, SD Card Boot, LPDDR4x
47K	No External Boost Bypass, No SD Card Boot, LPDDR3
75K	No External Boost Bypass, No SD Card Boot, LPDDR4x
130K	External Boost Bypass, SD Card Boot, LPDDR3
240K	External Boost Bypass, SD Card Boot, LPDDR4x
330K	External Boost Bypass, No SD Card Boot, LPDDR3
750K	External Boost Bypass, No SD Card Boot, LPDDR4x

Note: SD Card Boot implies the voltages for SD card will be enabled during Power On sequence  
 No SD Card Boot implies the voltages for SD card will be disabled during Power On sequence

Option Pin Resistor Value	Configuration
5.6K	No External Boost Bypass, SD Card Boot, LPDDR3
22K	No External Boost Bypass, SD Card Boot, LPDDR4x
47K	No External Boost Bypass, No SD Card Boot, LPDDR3
75K	No External Boost Bypass, No SD Card Boot, LPDDR4x
130K	External Boost Bypass, SD Card Boot, LPDDR3
240K	External Boost Bypass, SD Card Boot, LPDDR4x
330K	External Boost Bypass, No SD Card Boot, LPDDR3
750K	External Boost Bypass, No SD Card Boot, LPDDR4x

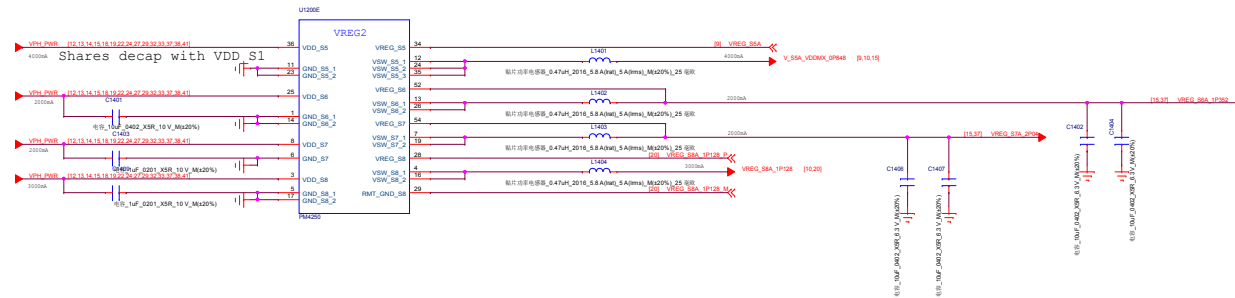
Note: SD Card Boot implies the voltages for SD card will be enabled during Power On sequence  
 No SD Card Boot implies the voltages for SD card will be disabled during Power On sequence



Ali Pro +967

Nicobar Power Grid v1.31 10/31/2018

- S1A-2A: FTS510 0.8V default 8000mA lpeak 8110.00mA APC
- S3A-4A: FTS510 0.8V default 8000mA lpeak 8480mA CX, MODEM
- S5A: HFS510 0.912V default 4000mA lpeak 3620.00mA EBI, MX, nLDO
- S6A: HFS510 1.352V default 4000mA lpeak 1560mA LDO
- S7A: HFS510 2.04V default 2500mA lpeak 2350mA LDO
- S8A: FTS510 1.128V default 4000mA lpeak 1790mA LDO, LPDDR4x

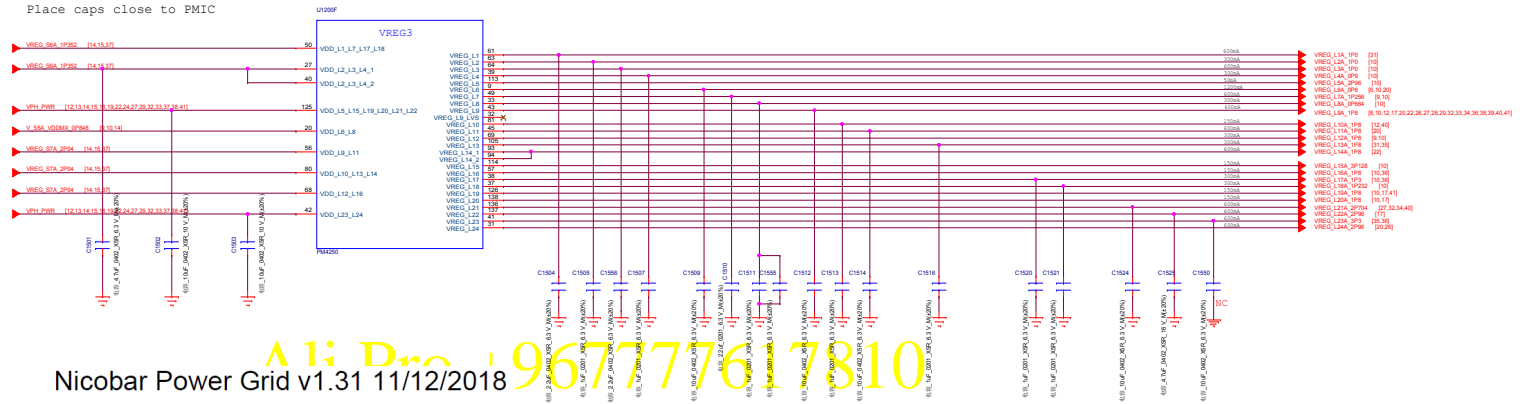


Ali Pro +967777617810

Company: Huesin	
Block Title:	PM25 LDO Circuits
Project:	J185_MB_V1
Rev:	1.0
Date:	Friday, August 08, 2008
Sheet:	14 of 41



Place caps close to PMIC



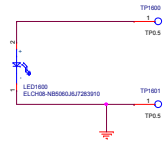
Nicobar Power Grid v1.31 11/12/2018

LDO	Type	Source V	default (est)	Target Pin#
L1	N600	S6A	1.2V (625)	QLN,SDR 1,2 61
L2	N300	S8A	1V (320)	SDR VDD 1.0V 63
L3	N600	S8A	1V (370)	SDR VDD 1.0V 64
L4	N300	S8A	0.928V (126)	OLINK EBI, MIPI 39
L5	MVP50	VPH	2.96V (22)	PX 113
L6	N1200	S5A	0.824V (1040)	VDDQ, EBI 9
L7	N600	S6A	0.928V (54.2)	USB 49
L8	N300	S5A	0.664V (81)	CX 33
L9	LVP600	STA	1.8V (754)	Sensors, WCD, TMD, PMI_MSM, QET 43
L10	LVP150	STA	1.8V (100)	QFPROM, USB,UFS, PX 81
L11	LVP600	STA	1.8V (925)	EMMC/VCCQ 45
L12	LVP300	STA	1.8V (121)	OV_USB, REDRIVER 69
L13	LVP300	STA	1.8V (204)	QPM 1.8V, BBRX, GPS 105
L14	LVP600	STA	1.8V (650)	WCD Buck 94.93
L15	MVP150	VPH	3.128V (5.28)	USB 3.1V, DP PHY 114
L16	LVP150	STA	1.8V (92.5)	WCSS, WCN_XO 93
L17	N300	S6A	1.304V (246)	WCN, WCSS ADX DAC 38
L18	N300	S6A	1.232V (133)	MIFI, VDDPX 37
L19	MVP150	VPH/BB	1.8V (60.2)	Memory, SN100, PX 126
L20	MVP150	VPH/BB	1.8V (60.2)	Memory, SN100, PX 138
L21	MVP600	VPH/BB	2.704V (0.68)	QAT, DFE, RTC, QSW 136
L22	MVP600	VPH/BB	2.96V (800)	MMC 137
L23	MVP600	VPH/BB	3.304V (591)	WCN 3.3V 41
L24	MVP600	VPH/BB	2.96V (1170)	EMMC 31

LDO L5/L9/L10/L11/L12/L13/L14/L15/L16/L19/L20/L21/L22/L23/L24 is the Pseudo-capless LDO, so can dnti CAP in BOM

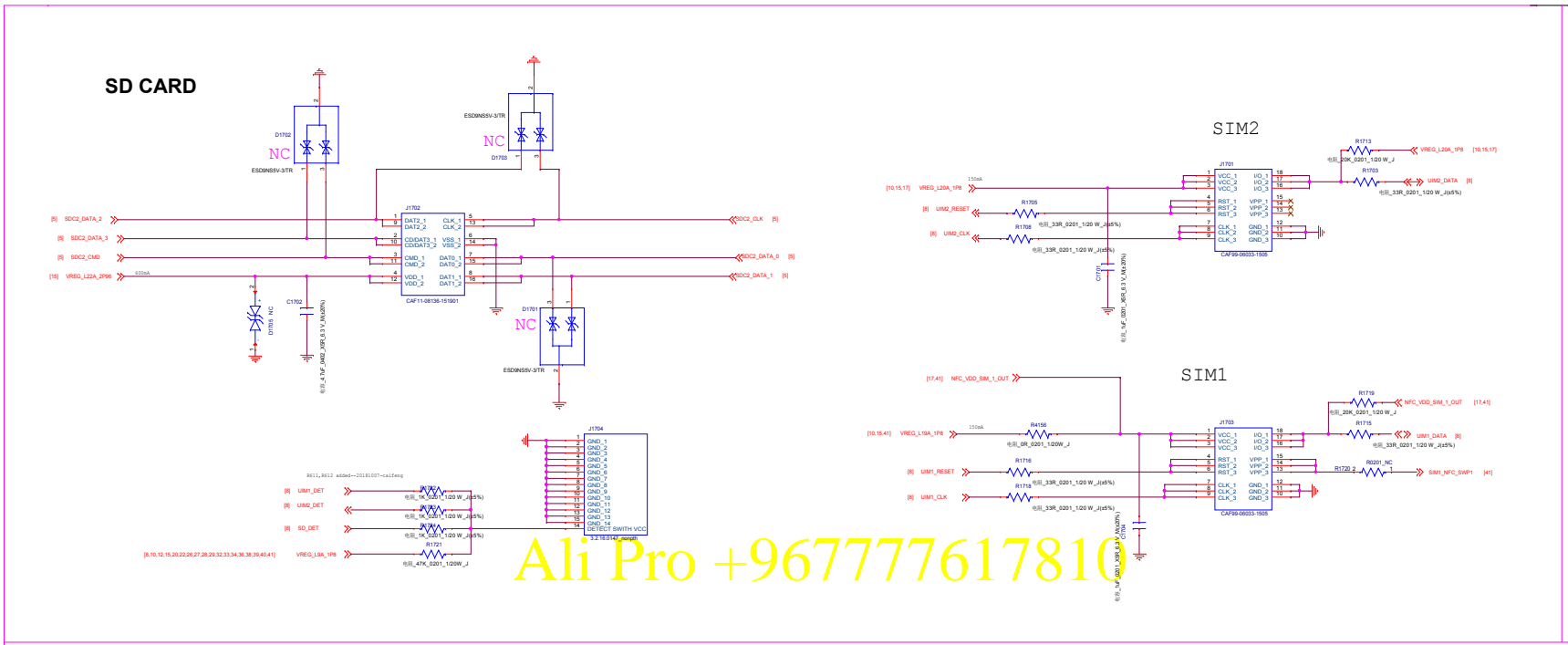
PSEUDO CAPLESS LDOS  
P-type are pseudo-capless, cap can be at load  
For CAPLESS LDOS: If decaps on the load side do not add up to LDO spec, then install the cap close to the PMIC

Flash LED SINGLE BOARD



Ali Pro +967777617810

Company Name	
Block Title	
Project	Rev
Date	Sheet



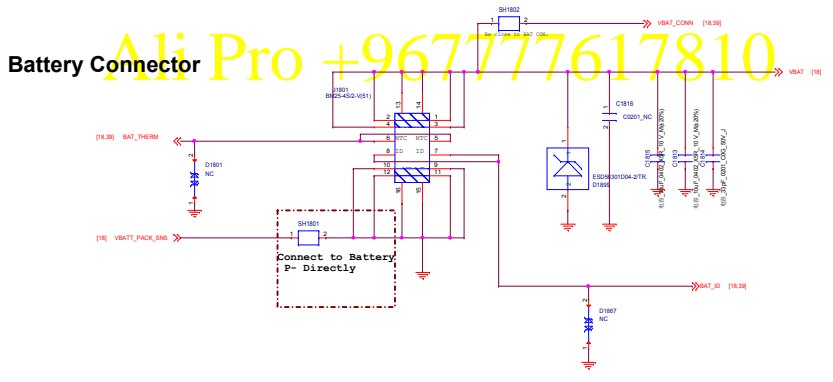
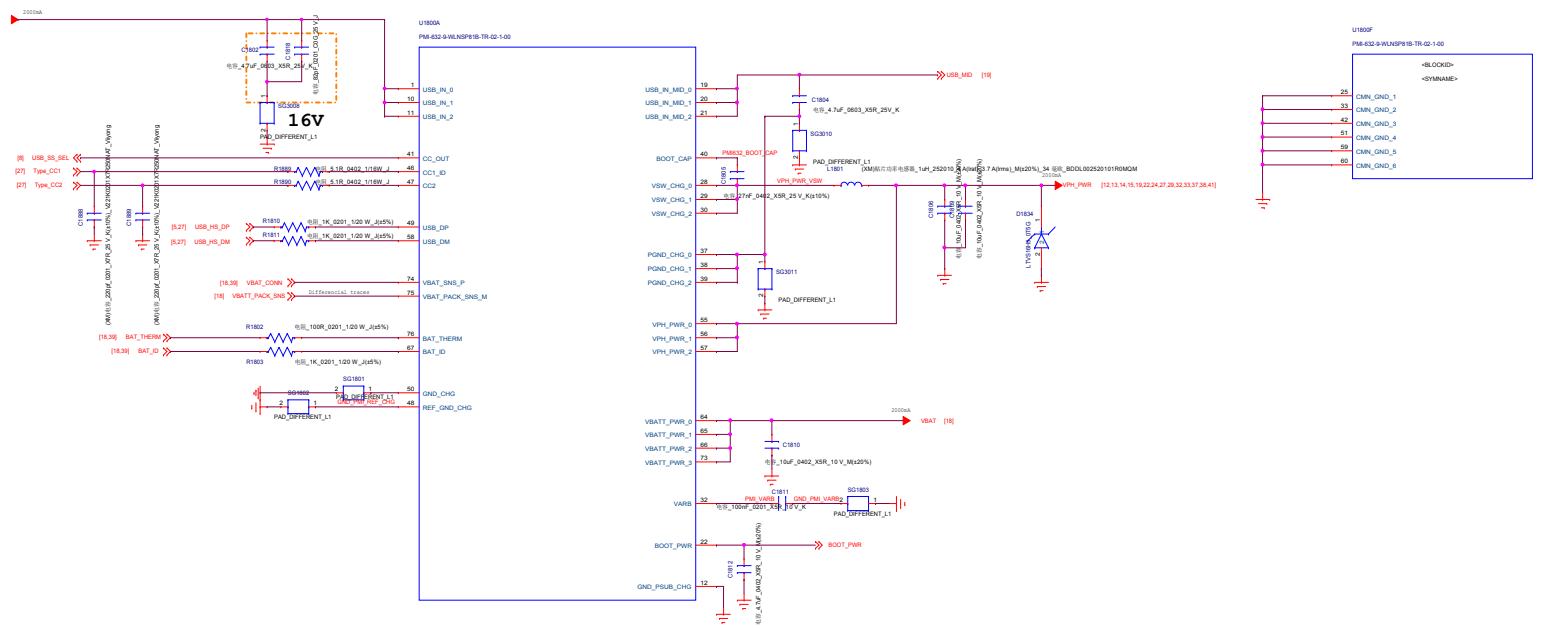
**Schematic design notice of "46\_MEMORY\_SD Card" page.**

Note 46-1: For better ESD performance, please select suitable components for system protection.

Company Name	
Block Title	SDMSM
Project	J156_MB_V1
Date	Friday, August 21, 2020
Rev	1.0
Sheet	17 of 41

# PMI632 Charger

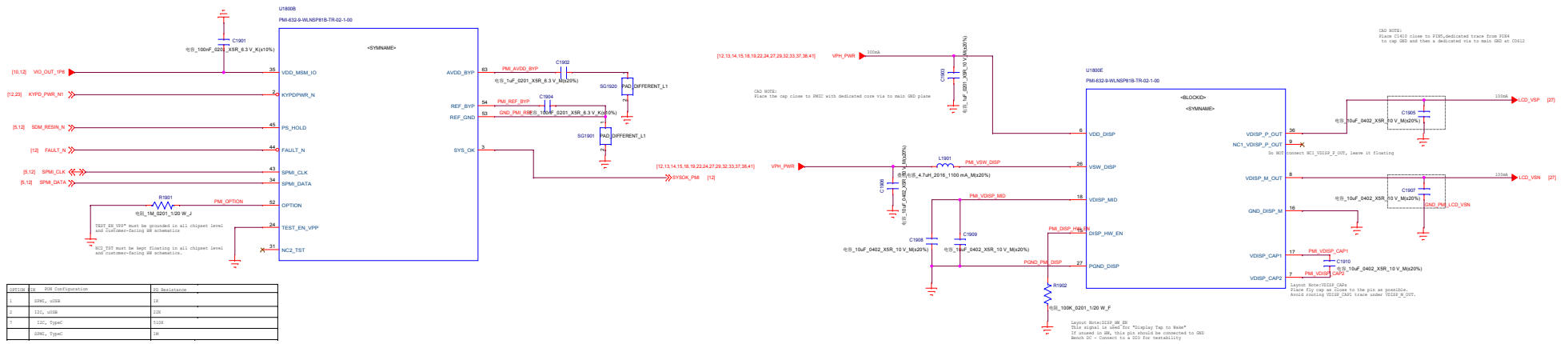
201722	connection of device without Wipower	connection of device with Wipower
201724	pull up to VDD_CAF with Wipower	remove pull down
201725	pull down to GND with Wipower	remove pull down
201726	pull down to GND with Wipower	remove pull down
201727	pull down to GND with Wipower	remove pull down
201728	pull down to GND with Wipower	remove pull down
201729	pull down to GND with Wipower	remove pull down
201730	pull down to GND with Wipower	remove pull down
201731	pull down to GND with Wipower	remove pull down
201732	pull down to GND with Wipower	remove pull down
201733	pull down to GND with Wipower	remove pull down
201734	pull down to GND with Wipower	remove pull down
201735	pull down to GND with Wipower	remove pull down
201736	pull down to GND with Wipower	remove pull down
201737	pull down to GND with Wipower	remove pull down
201738	pull down to GND with Wipower	remove pull down
201739	pull down to GND with Wipower	remove pull down
201740	pull down to GND with Wipower	remove pull down
201741	pull down to GND with Wipower	remove pull down
201742	pull down to GND with Wipower	remove pull down
201743	pull down to GND with Wipower	remove pull down
201744	pull down to GND with Wipower	remove pull down
201745	pull down to GND with Wipower	remove pull down
201746	pull down to GND with Wipower	remove pull down
201747	pull down to GND with Wipower	remove pull down
201748	pull down to GND with Wipower	remove pull down
201749	pull down to GND with Wipower	remove pull down
201750	pull down to GND with Wipower	remove pull down
201751	pull down to GND with Wipower	remove pull down
201752	pull down to GND with Wipower	remove pull down
201753	pull down to GND with Wipower	remove pull down
201754	pull down to GND with Wipower	remove pull down
201755	pull down to GND with Wipower	remove pull down
201756	pull down to GND with Wipower	remove pull down
201757	pull down to GND with Wipower	remove pull down
201758	pull down to GND with Wipower	remove pull down
201759	pull down to GND with Wipower	remove pull down
201760	pull down to GND with Wipower	remove pull down
201761	pull down to GND with Wipower	remove pull down
201762	pull down to GND with Wipower	remove pull down
201763	pull down to GND with Wipower	remove pull down
201764	pull down to GND with Wipower	remove pull down
201765	pull down to GND with Wipower	remove pull down
201766	pull down to GND with Wipower	remove pull down
201767	pull down to GND with Wipower	remove pull down
201768	pull down to GND with Wipower	remove pull down
201769	pull down to GND with Wipower	remove pull down
201770	pull down to GND with Wipower	remove pull down
201771	pull down to GND with Wipower	remove pull down
201772	pull down to GND with Wipower	remove pull down
201773	pull down to GND with Wipower	remove pull down
201774	pull down to GND with Wipower	remove pull down
201775	pull down to GND with Wipower	remove pull down
201776	pull down to GND with Wipower	remove pull down
201777	pull down to GND with Wipower	remove pull down
201778	pull down to GND with Wipower	remove pull down
201779	pull down to GND with Wipower	remove pull down
201780	pull down to GND with Wipower	remove pull down
201781	pull down to GND with Wipower	remove pull down
201782	pull down to GND with Wipower	remove pull down
201783	pull down to GND with Wipower	remove pull down
201784	pull down to GND with Wipower	remove pull down
201785	pull down to GND with Wipower	remove pull down
201786	pull down to GND with Wipower	remove pull down
201787	pull down to GND with Wipower	remove pull down
201788	pull down to GND with Wipower	remove pull down
201789	pull down to GND with Wipower	remove pull down
201790	pull down to GND with Wipower	remove pull down
201791	pull down to GND with Wipower	remove pull down
201792	pull down to GND with Wipower	remove pull down
201793	pull down to GND with Wipower	remove pull down
201794	pull down to GND with Wipower	remove pull down
201795	pull down to GND with Wipower	remove pull down
201796	pull down to GND with Wipower	remove pull down
201797	pull down to GND with Wipower	remove pull down
201798	pull down to GND with Wipower	remove pull down
201799	pull down to GND with Wipower	remove pull down
201800	pull down to GND with Wipower	remove pull down



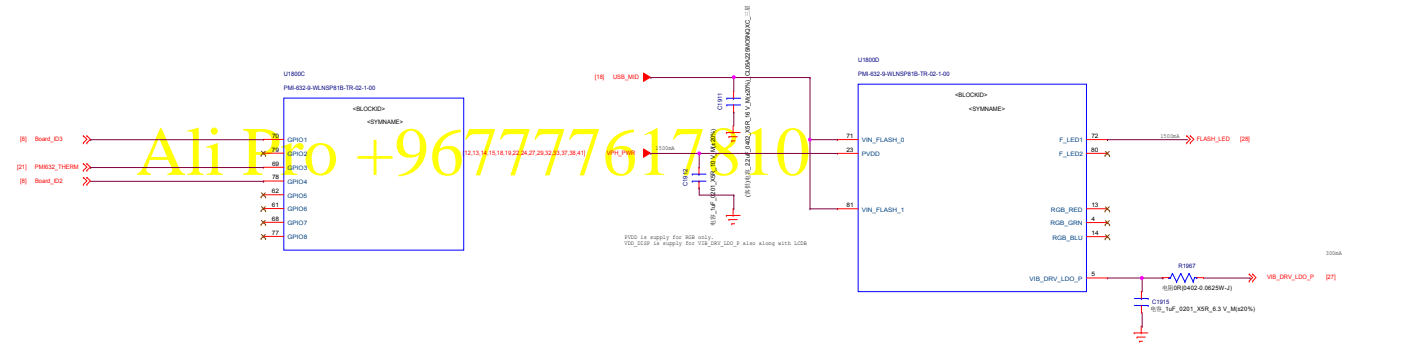
Battery Connector Ali Pro +967777617810

Schematic design notice of "26\_POWER\_SubPMIC-Charger + PP" page.  
 Note 26-1: For better ESD or surge performance we need choose suitable device for system protection. Please refer to [Surge device selection guide V2.0] provide by MTK.

Company Name	
Block Title	PMI632
Project	J195_MB_V1
Rev	1.0
Date	Friday, August 08, 2008
Sheet	16 of 41

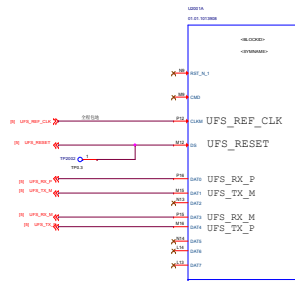


Option	SWL Configuration	SWR Configuration
1	SWL, SWR	SWL
2	SWL, SWR	SWR
3	SWL, SWR	SWL
4	SWL, SWR	SWR

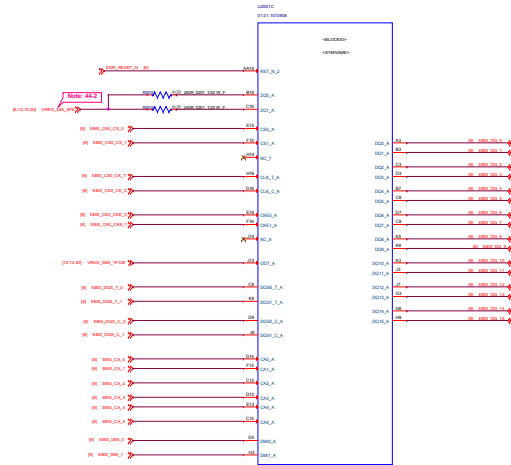


Ali Po +967777617810

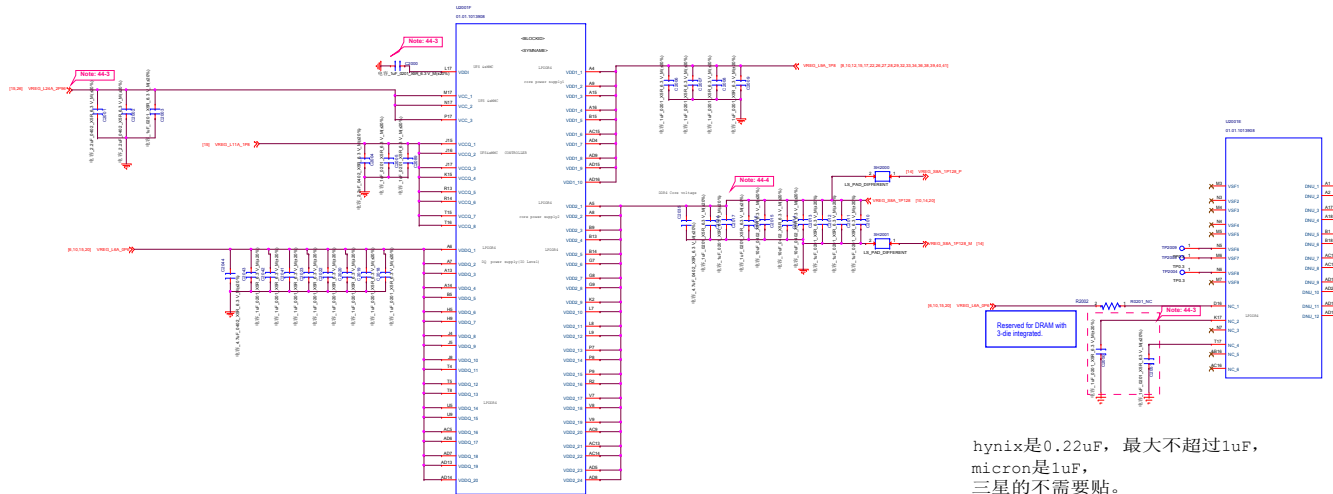
## UFS MEMORY



## uMCP: LPDDR4x

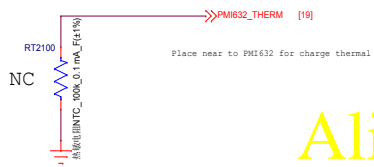


# Ali Pro +967777617810

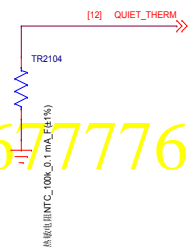


hynix是0.22uF，最大不超过1uF，  
micron是1uF，  
三星的不需要贴。  
但是为了避免项目使用几家的uMCP时bom出错，统一贴1uF

### Charger\_THERMAL



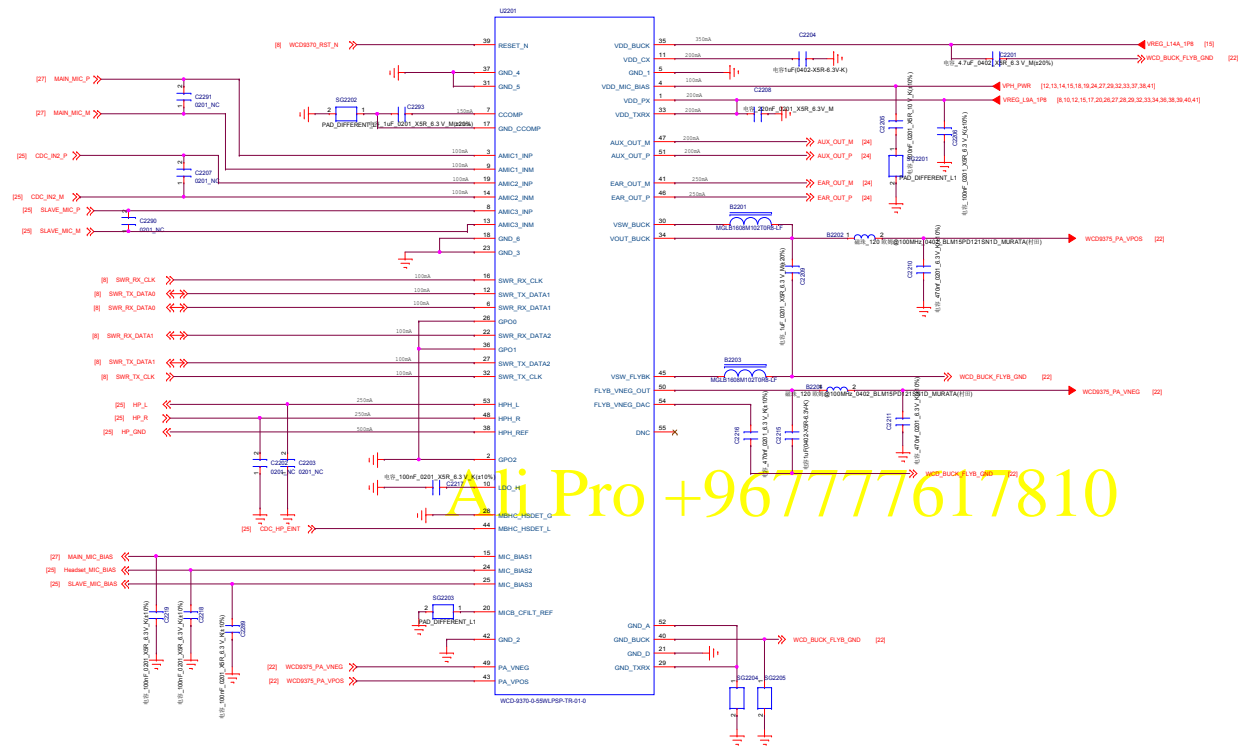
### QUIET\_THERM



Ali Pro +967777617810

Company: Haseqin	
Block Title	NTC
Project	J19S_MB_V1
Rev	1.0
Date:	Friday, August 28, 2020
Sheet	21 of 41

WCD9370

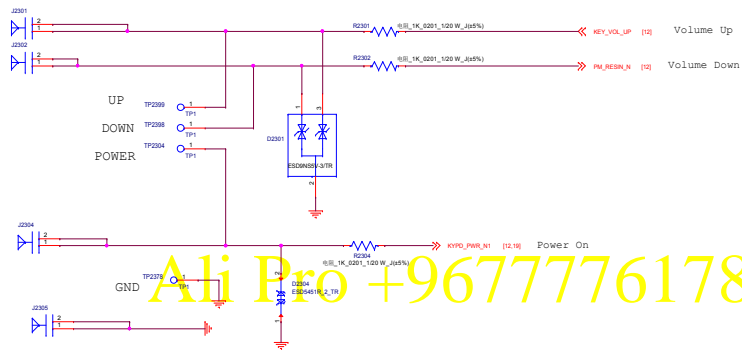


Ali Pro +967777617810



Power Key => PWRKEY + GND  
Volume Up => COL0 + GND (Download Key)  
Volume Down => FCHR\_ENB + GND  
[www.tuzhijie.com](http://www.tuzhijie.com) 图纸街

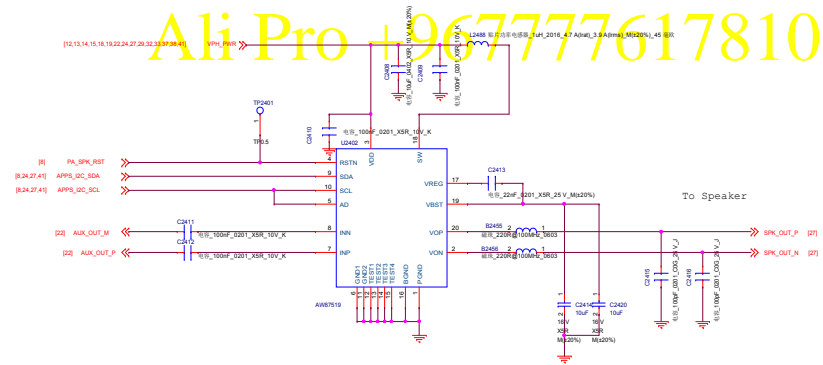
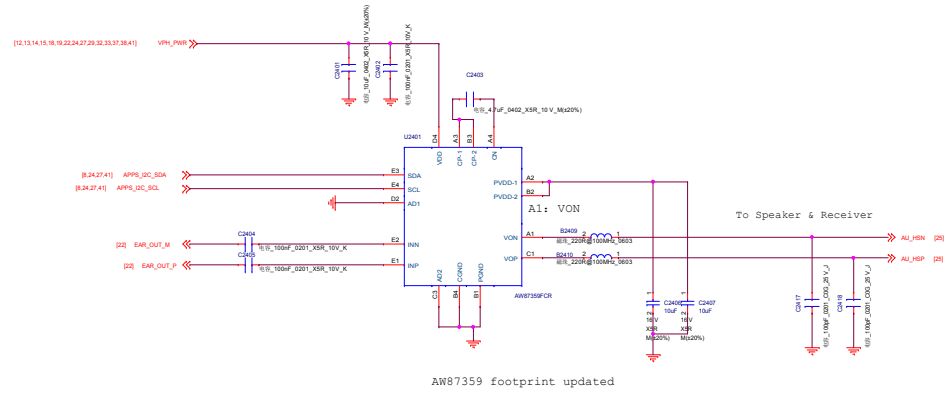
DO NOT put pull-up resistor on PWRKEY



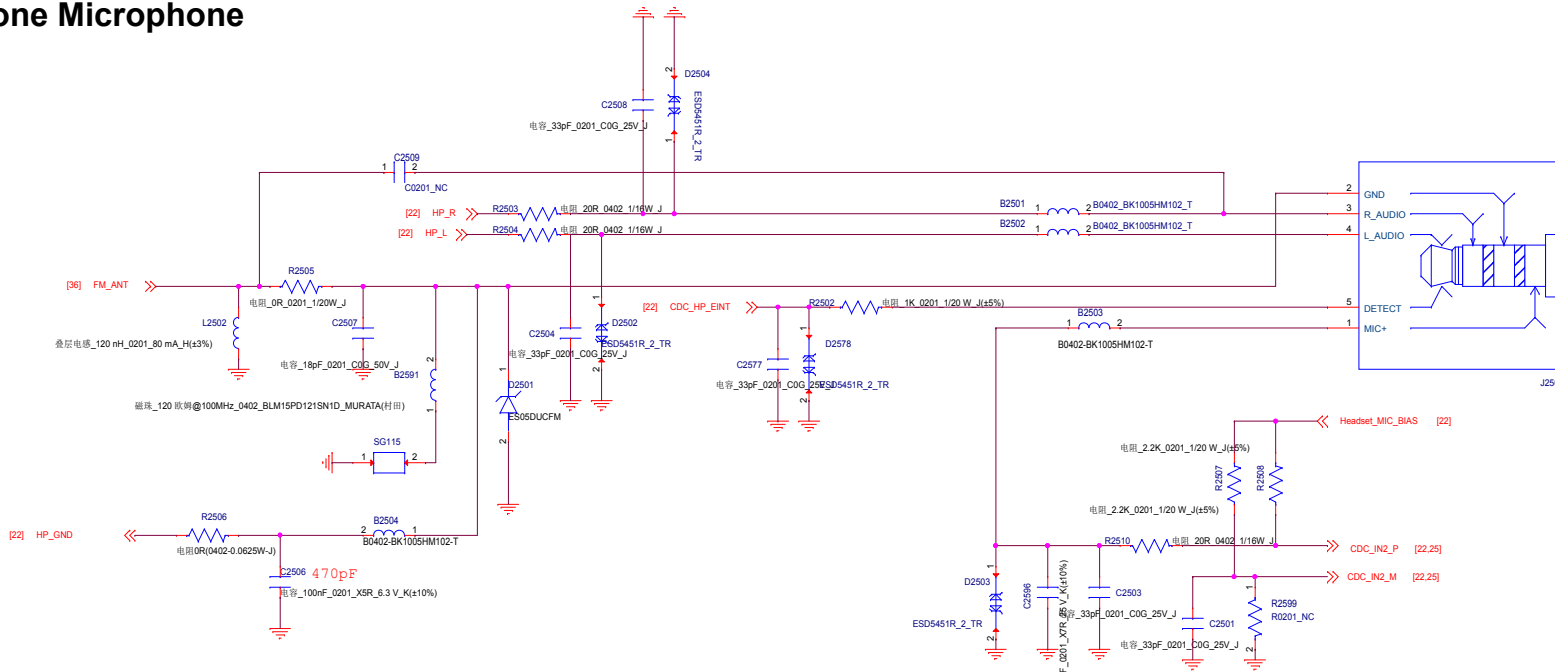
Ali Pro +967777617810

TP/GND/Shielding

Company: Huzhen	
Block Title	Test Points
Project	J195_MB_V1
Rev	1.0
Date	Friday, August 08, 2008
Sheet	29 of 41

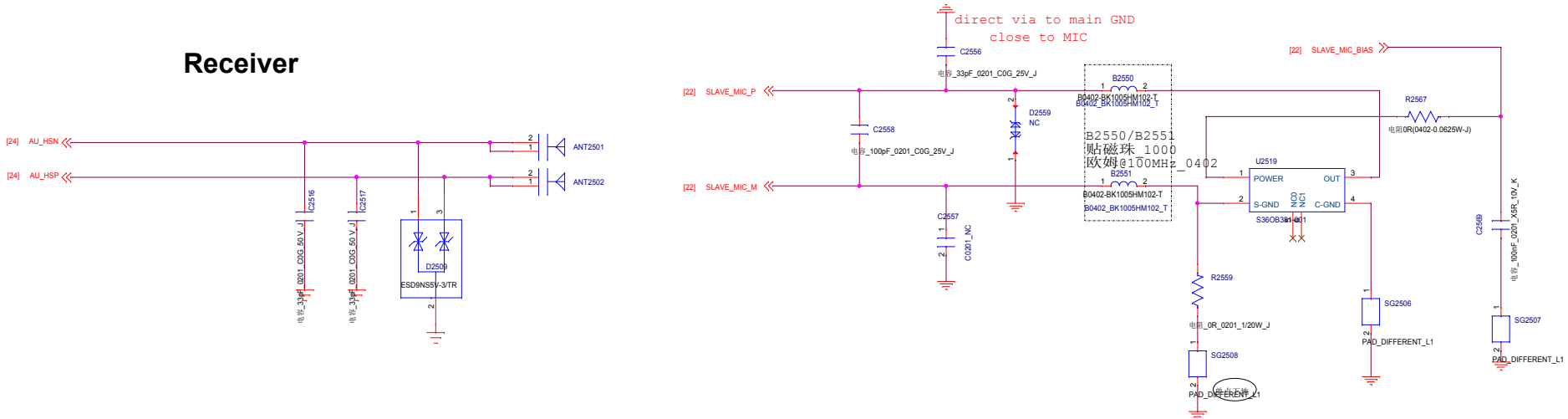


# Earphone Microphone



Ali Pro +967777617810

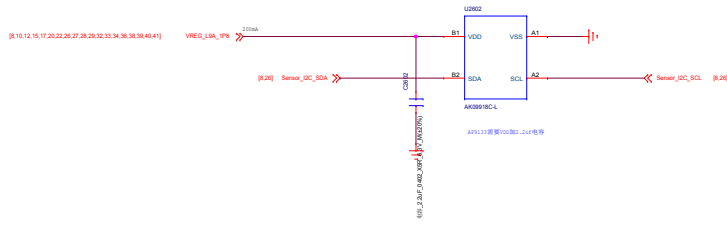
# Receiver



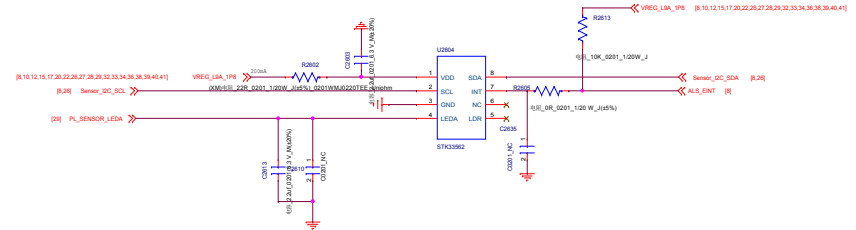
Company: Huaqin	
Block Title: AUDIO_HEADSET	
Project: J19S_MB_V1	Rev: 1.0
Date: Friday, August 28, 2020	Sheet: 25 of 41

# M-Sensor

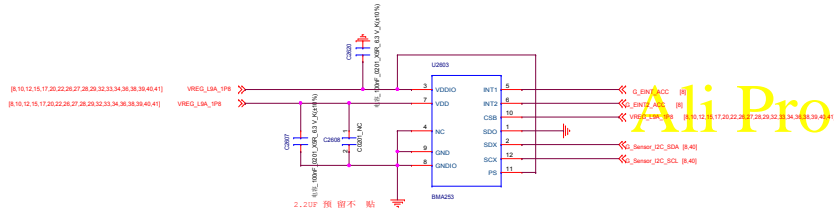
AK09918 / M-Sensor I2C Address : 0x0C (Write:0x18, Read:0x19)



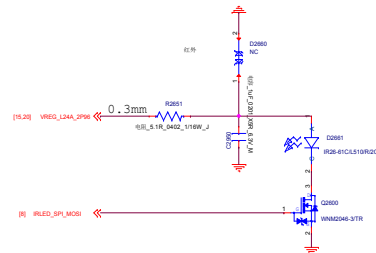
# ALS SENSOR



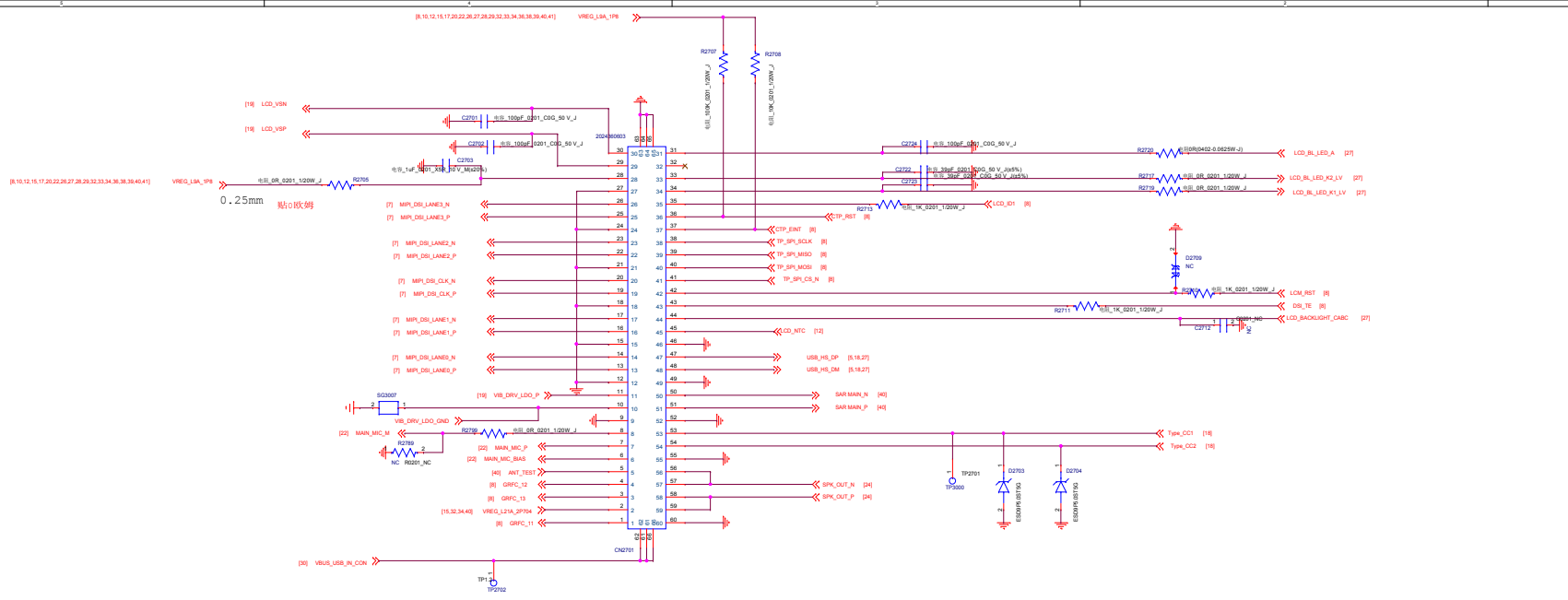
Ali Pro +967777617810



0: 0x00 0x01 0x02 0x03 0x04 0x05 0x06 0x07 0x08 0x09 0x0A 0x0B 0x0C 0x0D 0x0E 0x0F  
 1: 0x10 0x11 0x12 0x13 0x14 0x15 0x16 0x17 0x18 0x19 0x1A 0x1B 0x1C 0x1D 0x1E 0x1F  
 2: 0x20 0x21 0x22 0x23 0x24 0x25 0x26 0x27 0x28 0x29 0x2A 0x2B 0x2C 0x2D 0x2E 0x2F  
 3: 0x30 0x31 0x32 0x33 0x34 0x35 0x36 0x37 0x38 0x39 0x3A 0x3B 0x3C 0x3D 0x3E 0x3F  
 4: 0x40 0x41 0x42 0x43 0x44 0x45 0x46 0x47 0x48 0x49 0x4A 0x4B 0x4C 0x4D 0x4E 0x4F

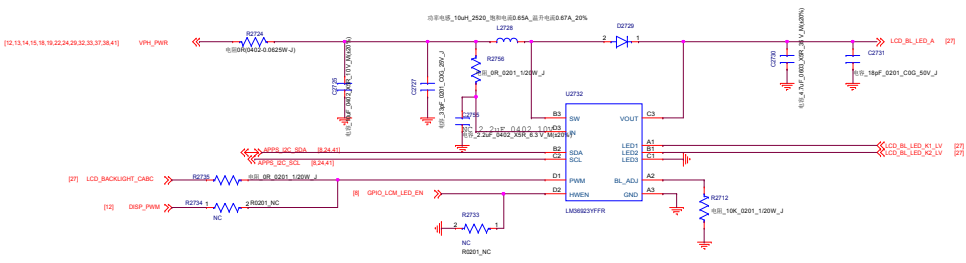


Company Huzen	
Block Title	SENSORS
Project	J195_MB_V1
Rev	1.0
Date	Friday, August 08, 2008
Sheet	28 of 41



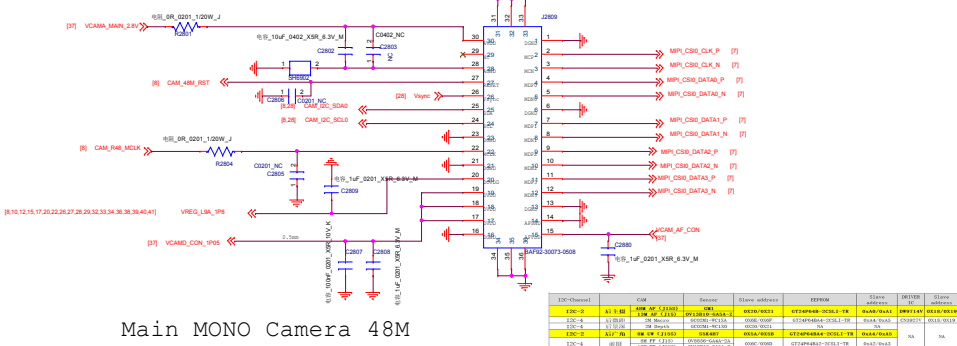
Ali Pro +967777617810

LCM Backlight LED Driver



178	100
18087	010110 binary (for 74S)
220213	010110 binary (for 74S)

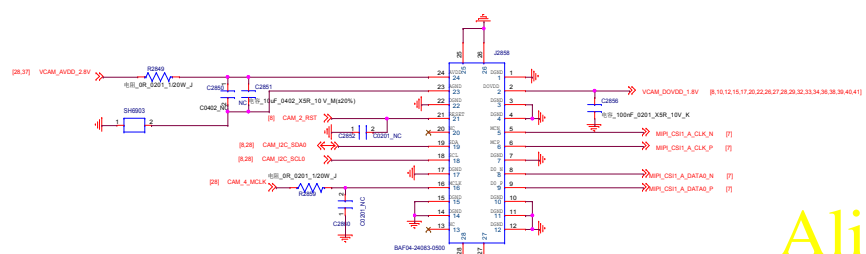
注意: AGND AFGND都要单独下主地



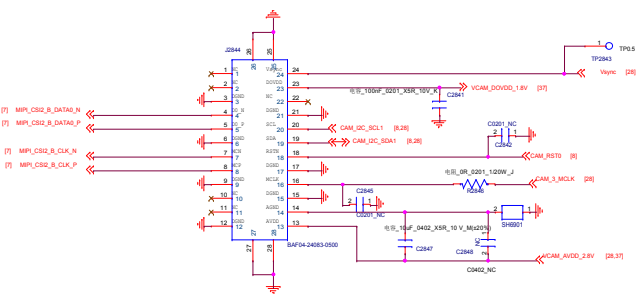
Main MONO Camera 48M

www.tuzhijie.com 图纸网

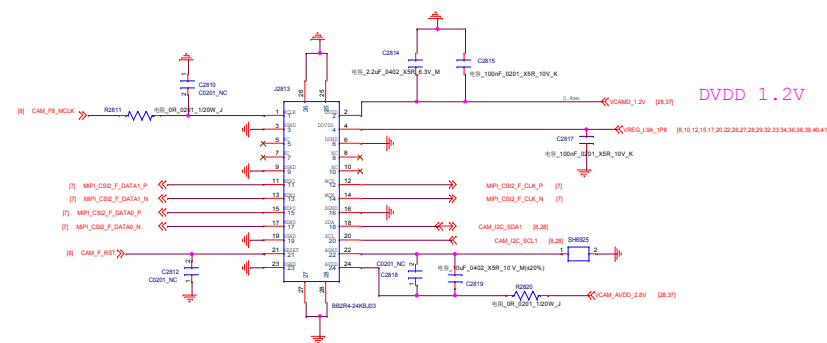
微距 Camera 2M =Macro



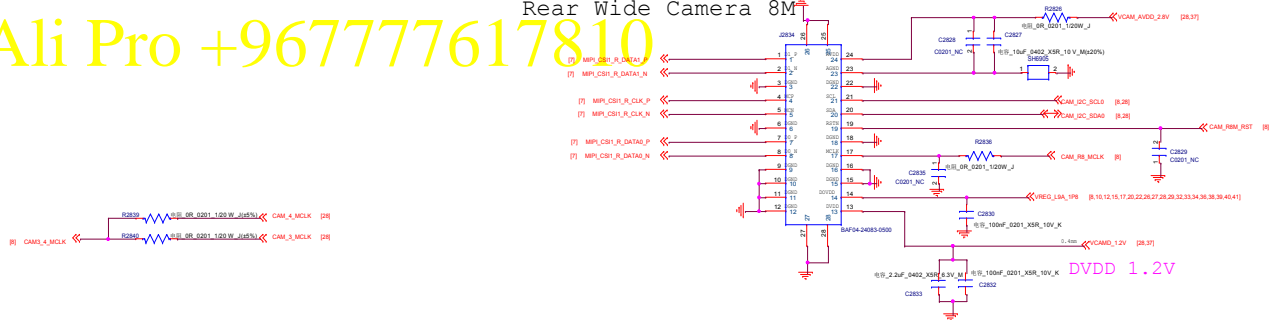
景深 Camera 2M=Depth



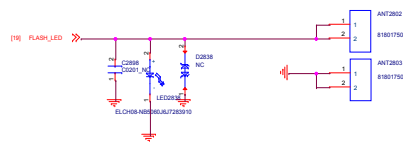
### Front Camera - 8M

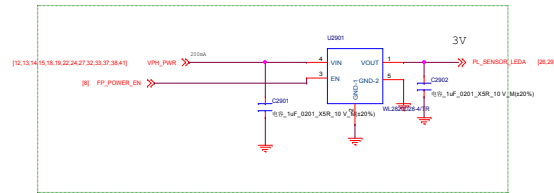


### Rear Wide Camera 8M

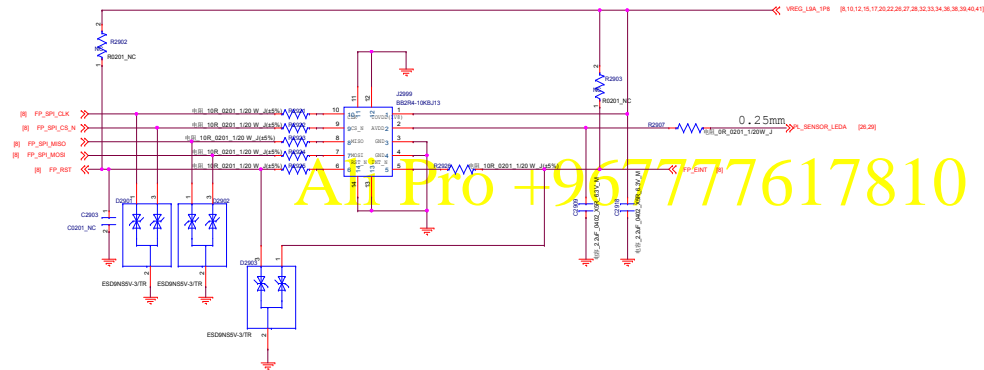


### FLASH LED





### Fingerprint

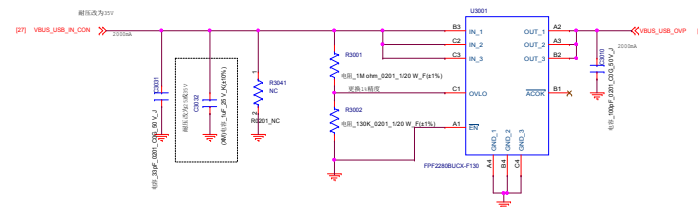


Note 71-1: For better ESD or surge performance we need choose suitable device for system protection. Please refer to [Surge device selection guide V2.0] provide by MTK.

### BTB Connector

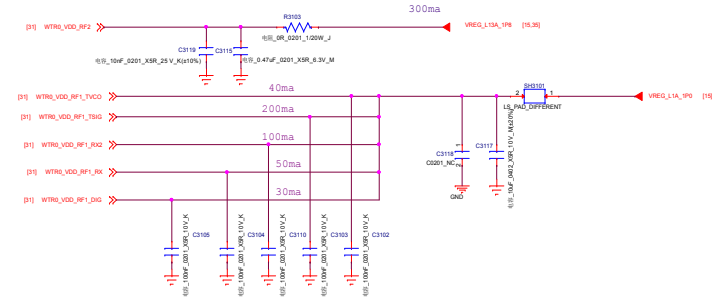
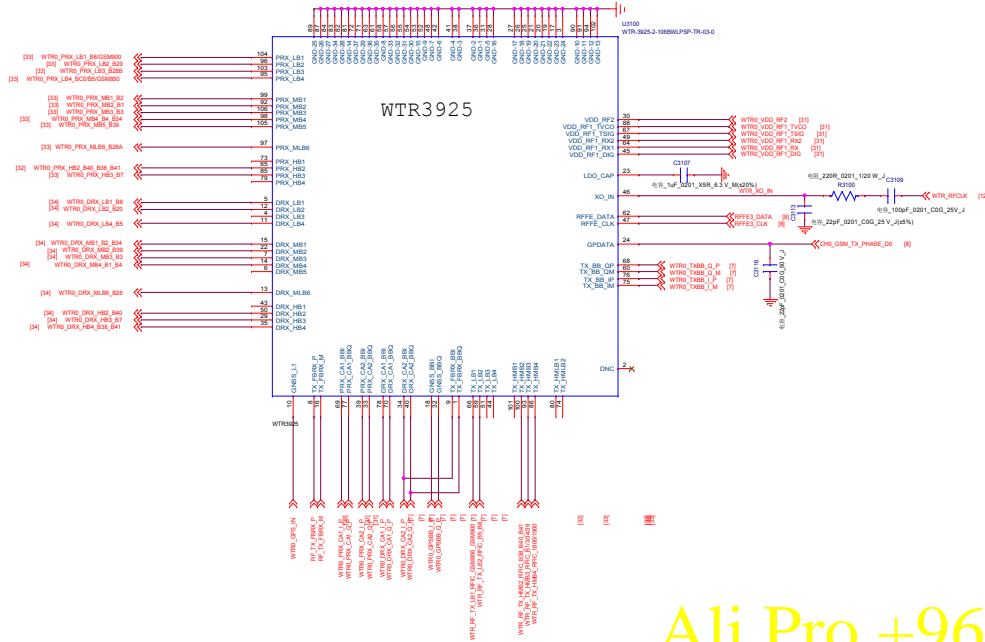
Grond protected separately each lane  
90Ohm Differential impedance

Grond protected separately each lane  
90Ohm Differential impedance

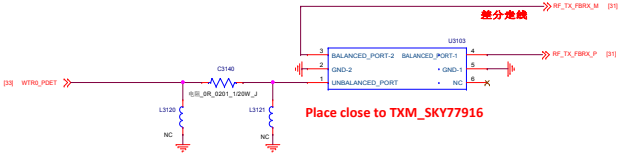


Ali Pro +967777617810



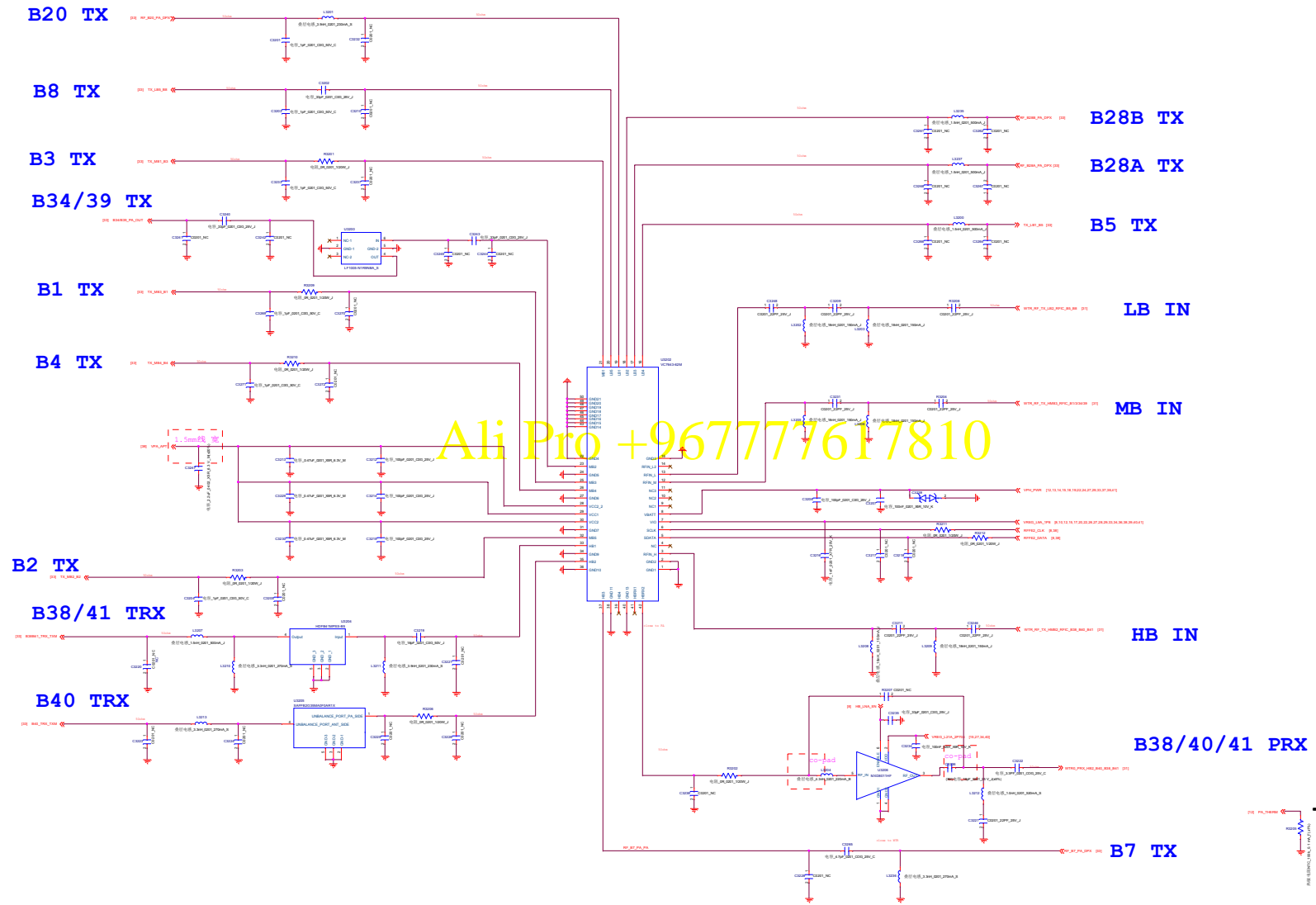


Ali Pro +967777617810



华勤通讯 Huaqin Telecom Technology Com.,Ltd		
Title 31_RF_SDR425_Pin_Out		
Size D	Project Soda_MB_V1	Rev V1
Date: Friday, August 28, 2020	Sheet 31 of 41	

# MMMB PA

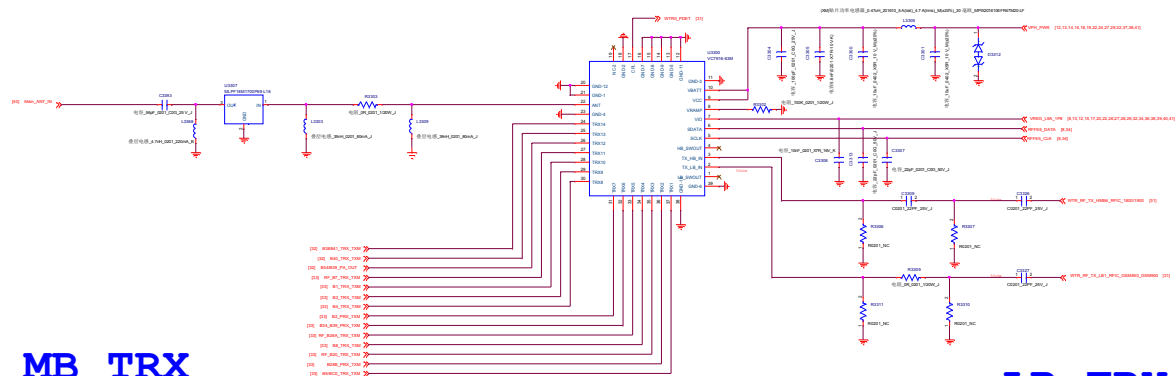


Ali Pro +967777617810

Thermal  
Close to MMBPA

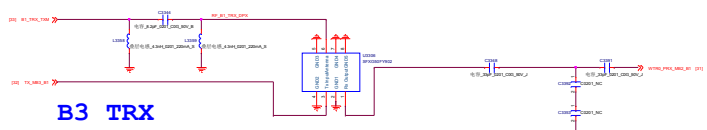
华勤通讯 Huaqin Telecom Technology Com., Ltd		
Title 32_RF_MT6177_RF_TX		
Size E	Project SM4250_MB_V1	Rev v1
Date: Friday, August 28, 2020	Sheet 32 of 41	

# TXM

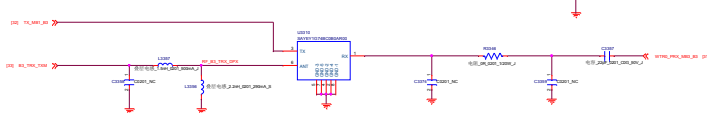


# MB TRX

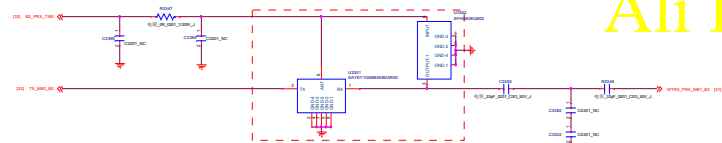
## B1 TRX



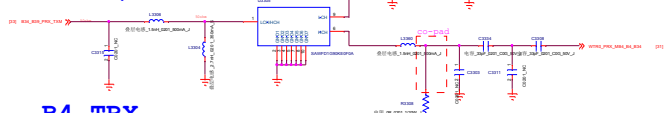
## B3 TRX



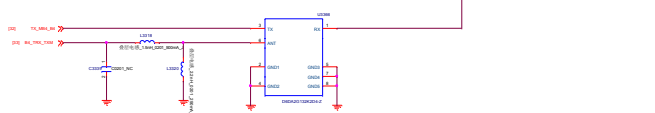
## B2 PRX



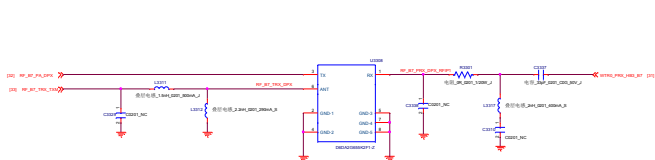
## B34/B39 PRX



## B4 TRX

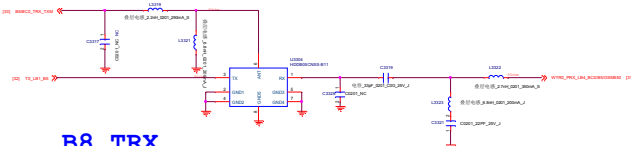


## B7 TRX

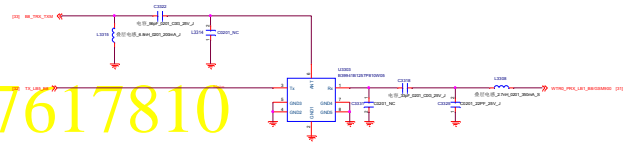


# LB TRX

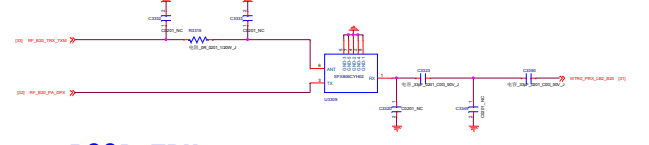
## B5 TRX



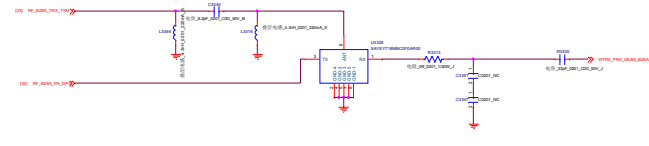
## B8 TRX



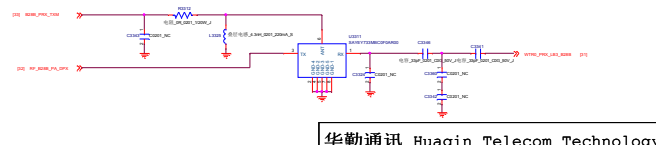
## B20 TRX



## B28A TRX



## B28B TRX

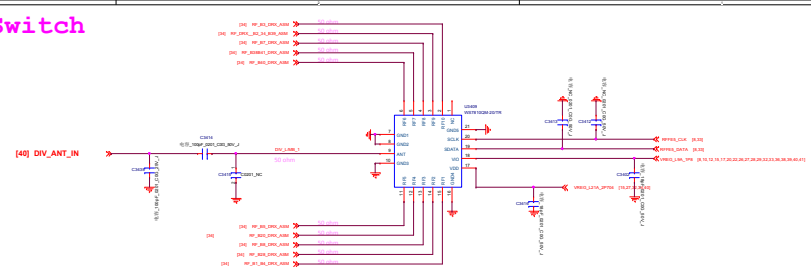
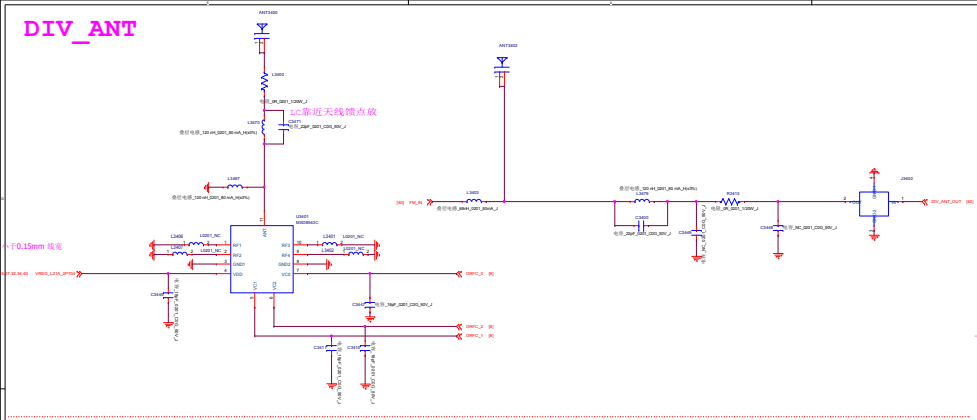


Ali Pro +967777617810

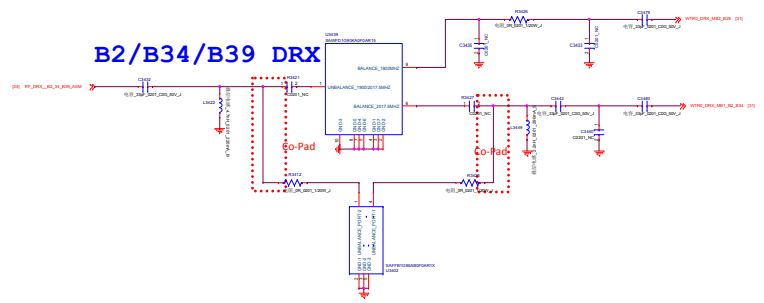
华勤通讯 Huaqin Telecom Technology Com.,Ltd		
Title 33_RF_MT6177_RF_PRX		
Size E	Project SM4250_MB_V1	Rev v1
Date: Friday, August 28, 2020	Sheet 33 of 41	

**DIV\_ANT**

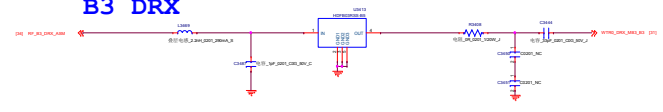
**DRX Switch**



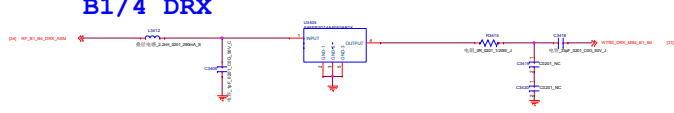
**B2/B34/B39 DRX**



**B3 DRX**



**B1/4 DRX**

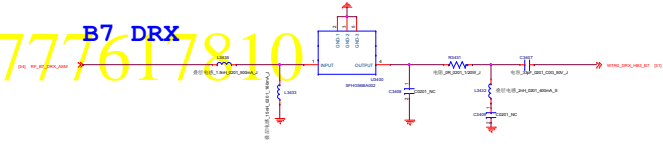


**B8 DRX**

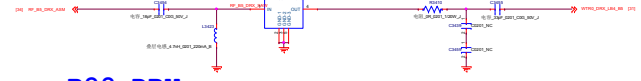


**Ali Pro +96777617810**

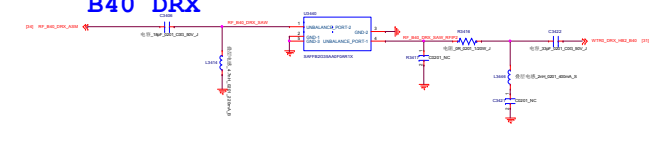
**B7 DRX**



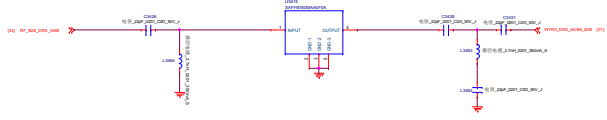
**B5 DRX**



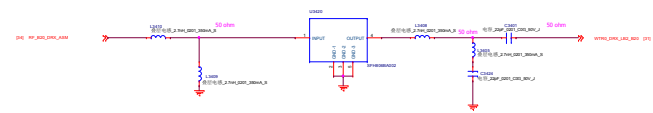
**B40 DRX**



**B28\_DRX**



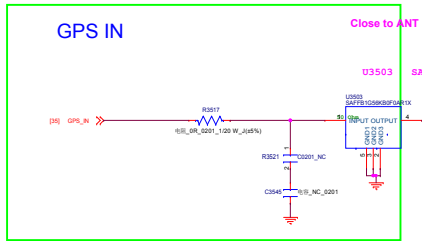
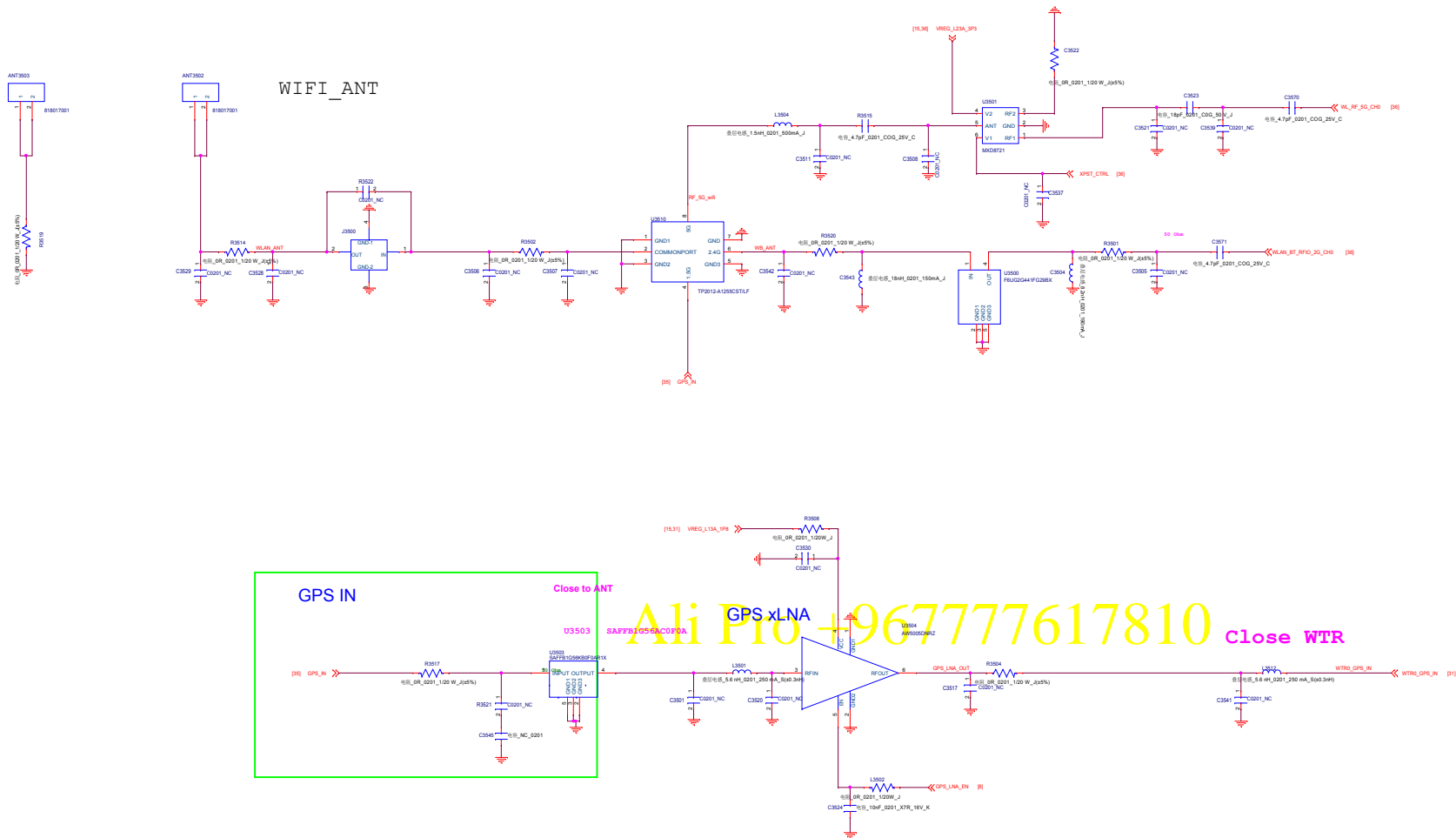
**B20\_DRX**



**B38/B41 DRX**



华勤通讯 Huaqin Telecom Technology Com.,Ltd		
Title 34_RF_SDR425_RF_DRX		
Size E	Project J19S_MB_V1	Rev v1
Date: Friday, August 28, 2020	Sheet 34 of 41	



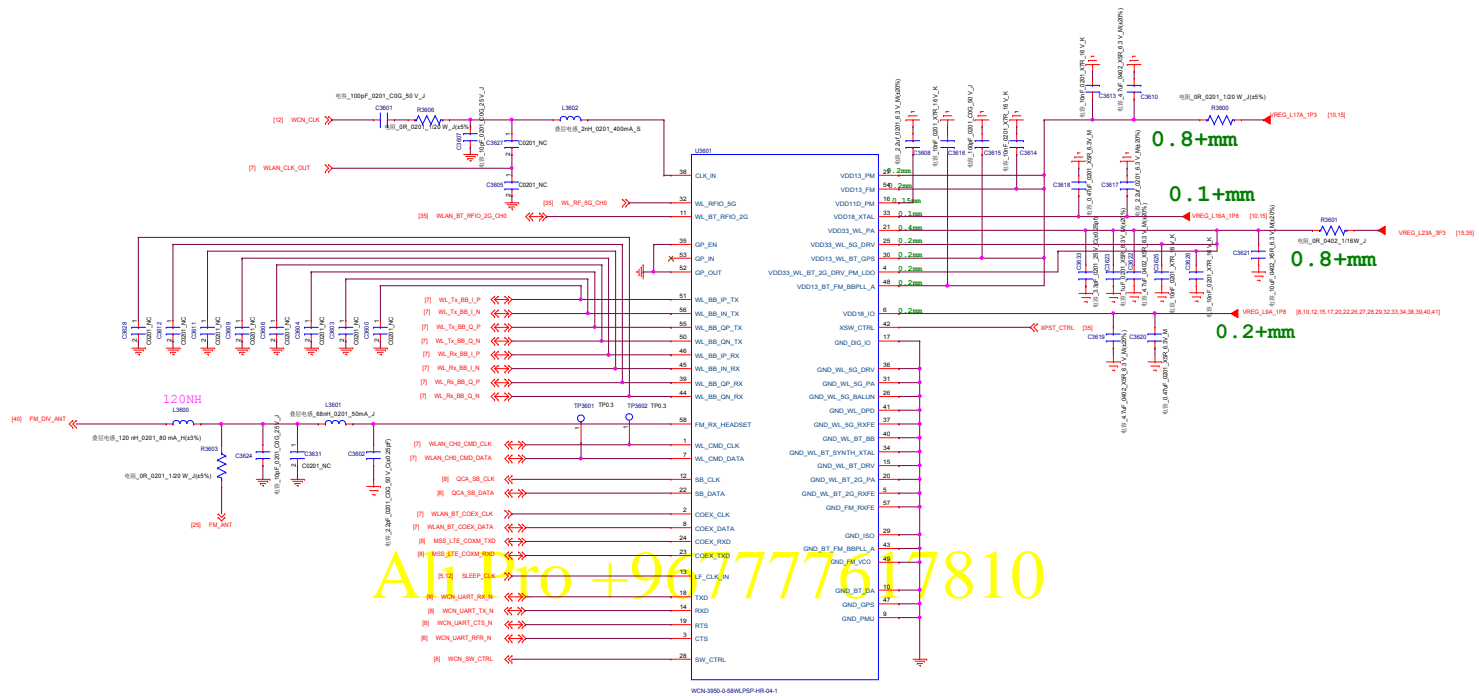
Ali Pro +967777617810

Close WTR

**Schematic design notice of "51\_CONNECTIVITY\_CONSYS\_MT6631"**

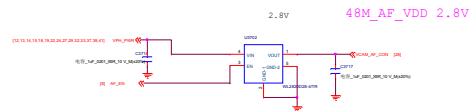
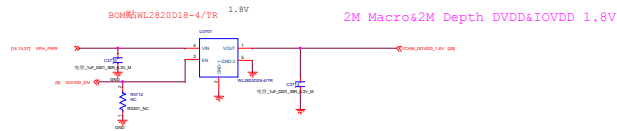
- Note 51-1: For R5015 size, please select 0402 size or larger one
- Note 51-2: Please refer to MT6765 Baseband design notice for VC933 LDO selection guide
- Note 51-3: If WIFI 5G not support, connect pin 34(WF\_RF\_5G) to GND
- Note 51-4: Pin 36 (AVDD28\_FM) must be connected to VC928 even if FM not support

华勤通讯 Huaqin Telecom Technology Com.,Ltd		
Title 35_CONNECTIVITY_CONSYS_WCN3950		
Size D	Project J19S_MB_V1	Rev V1
Date: Friday, August 28, 2020	Sheet 35 of 41	

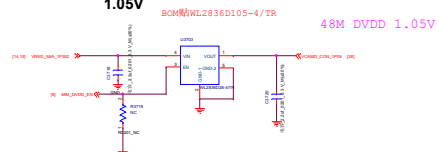


All Pro +96777017810

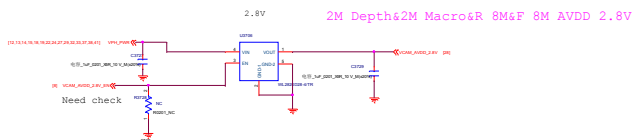
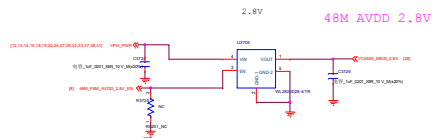
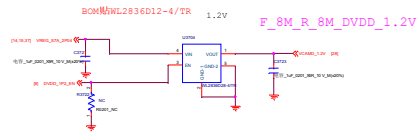
华勤通讯 Huaqin Telecom Technology Com.,Ltd		
Title 35_CONNECTIVITY_CONSYS_WCN3950		
Size D	Project J19S_MB_V1	Rev V1
Date: Friday, August 28, 2020		Sheet 36 of 41



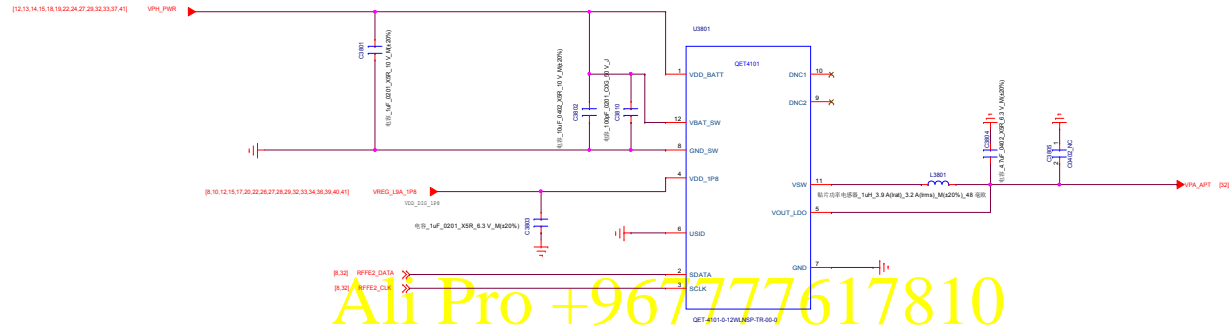
**LDO for Rear Camera (VCAMD\_EXT1)  
1.05V**



Ali Pro +967777617810

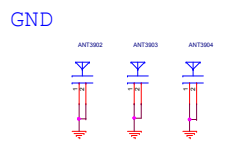
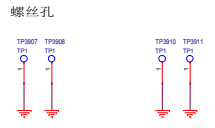
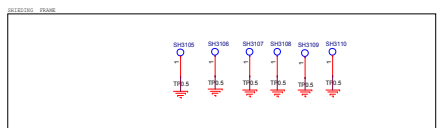


华勤通讯 Huaqin Telecom Technology Com.,Ltd		
Title	37_NFC	
Size	Project	Rev
E	J19S_MB_V1	V1
Date:	Friday, August 28, 2020	Sheet 37 of 41

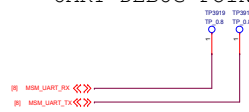


华勤通讯 Huaqin Telecom Technology Com.,Ltd		
Title 38_QET		
Size D	Project J19S_MB_V1	Rev V1
Date:	Friday, August 28, 2020	Sheet 38 of 41

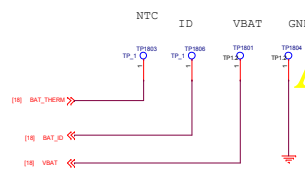




UART DEBUG POINT



VBAT TEST POINT

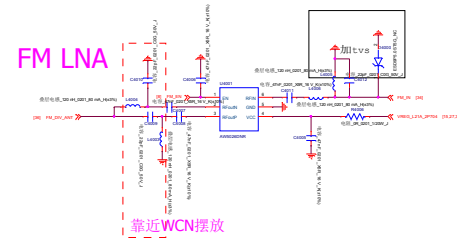
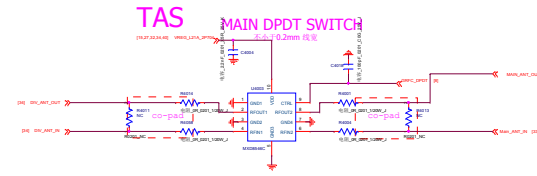
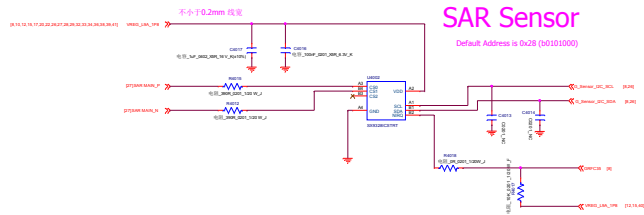
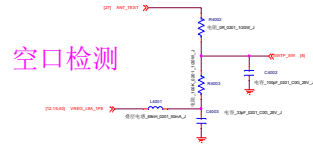
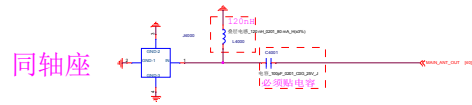


Ali Pro +967777617810

SMT Download Mode

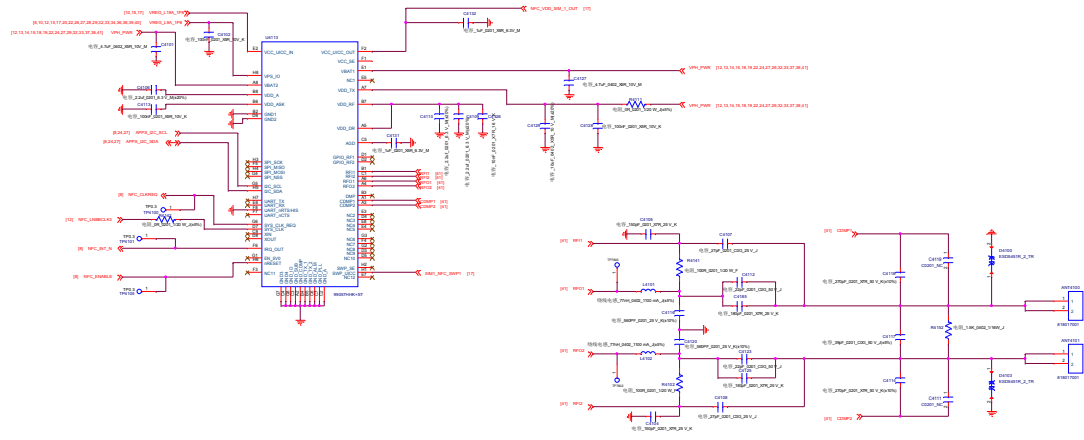


Company: Huzhen	
Block Title	Test Points
Project	J195_MB_V1 Rev 1.0
Date	Friday, August 08, 2008 Sheet 39 of 41



Ali Pro +967777617810

华勤通讯 Huaqin Telecom Technology Com., Ltd		
Title 40_ASDIV		
Size E	Project J19S_MB_V1	Rev V1
Date: Friday, August 28, 2020	Sheet 40 of 41	



Ali Pro +967777617810

华勤通讯 Huaqin Telecom Technology Com.,Ltd		
Title	41_NFC	
Size	Project	Rev
E	J19S_MB_V1	V1
Date:	Friday, August 28, 2020	Sheet 41 of 41