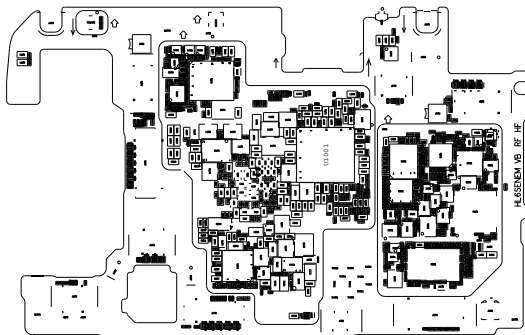


HL6SEMEM Ver B SILKSCREEN TOP



HL6SENEM Ver.B SILKSCREEN BOTTOM

Baseband Schematic

1. Contents
2. Block Diagramm
3. SOC PWR1
4. SOC PWR2
5. SOC PWR3
6. SOC HS Interface
7. SOC GPIO Interface
8. SOC RF Interface
9. SOC GND
10. PMU LDO
11. PMU BUCK & HI6422-1
12. PMU MISC & BUCKBOOST
13. HI6422-2
14. UFS and LPDDR
15. Battery & Fuel guage
16. USB/Scharger V300/Switch
17. LCD Interface
18. Reserved
19. Flash LED
20. Camera Interface
21. ISP Reserved
22. Codec HI6403
23. Audio/SPK/VIB
24. Headphone
25. Audio
26. X-Sensor1
27. X-Sensor2
28. SIM/uSD Card
29. FPC Interface
30. Test Point/Shielding

MODEM Schematic

31. RF Interface
32. RF PMU
33. RF Transceiver
34. RF FRONT END HB
35. RF FRONT END B42
36. RF FRONT END MB
37. RF Front End LB
38. RF Front End Switch /Main ANT
39. RF Front End Diversity
40. RF Front End Diversity
41. Reserved for CDMA Modem
42. Reserved for CDMA Modem
43. Reserved for CDMA Modem
44. Reserved for CDMA Modem
45. Reserved for CDMA Modem
46. Reserved for CDMA Modem
47. Reserved for CDMA Modem
48. Reserved for CDMA Modem
49. RESERVED
50. RESERVED
51. RF Front End M1
52. Hi1102 POWER
53. Hi1102 Interface
54. Hi1102_RF_FrontEnd_2G
55. Hi1102_RF_FrontEnd_5GHz
56. RF_FRONT_END_Diversity_M1
57. NFC
58. RF Transceiver2
59. RFIC2 PA+PMU
60. ANT Tuner

The type and specification of the components refer to the BOM

					2018-05-26
				ECA NO	DATE
DESIGNED	HUAWEI1	NOVA5I			
REVIEWED	HUAWEI				
		VER	PART_NUMBER	SHEET 1 Content 4	
		A	HUAWEI	HUAWEI TECH CO.,LTD.	

2.RES

A

A

B

B

C

C

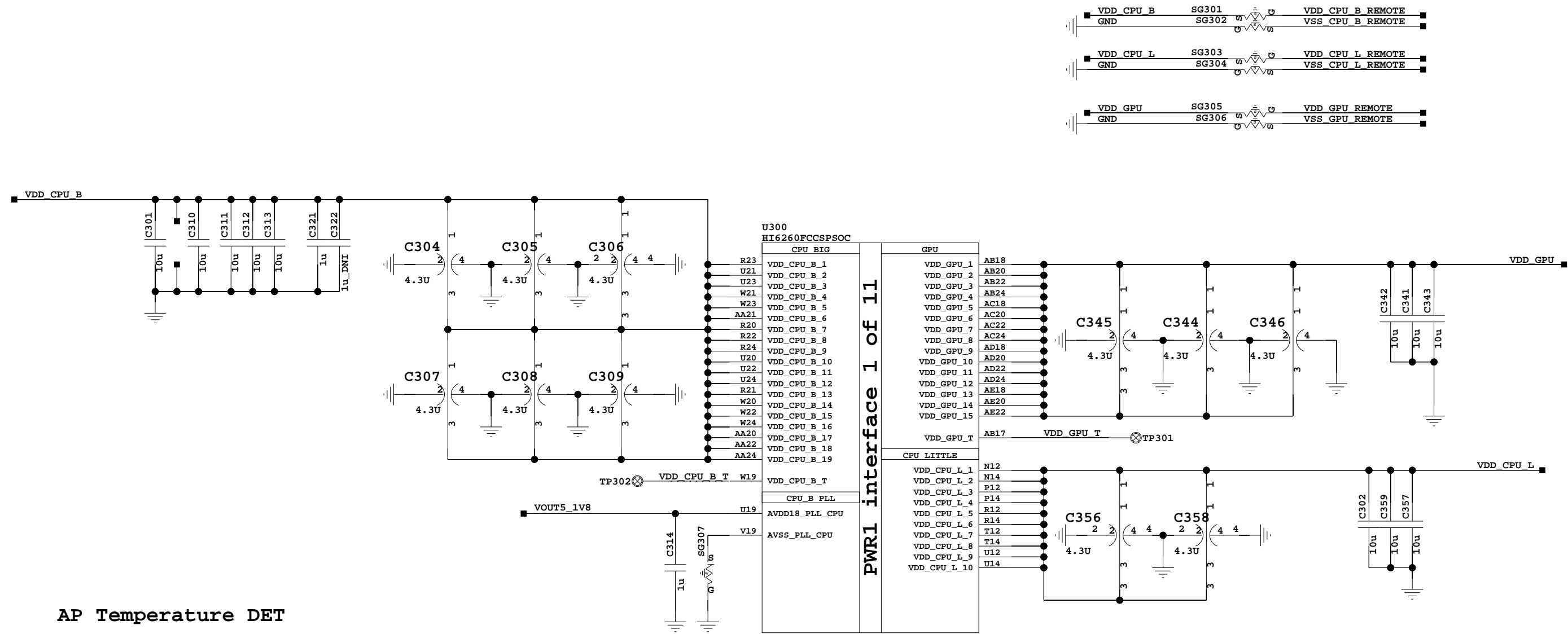
D

D

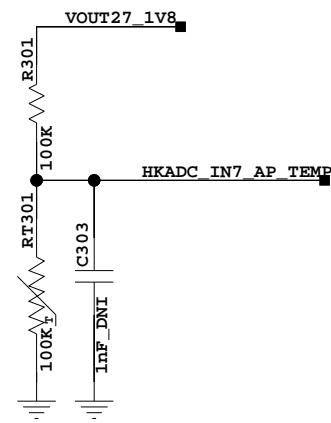
The type and specification of the components refer to the BOM

					26-07-2018_11:29
				ECA NO	DATE
DESIGNED		NOVA5I		2 RES	
REVIEWED					
		VER	PART_NUMBER	SHEET	OF 64
				HUAWEI TECH CO.,LTD.	

3.SOC PWR1



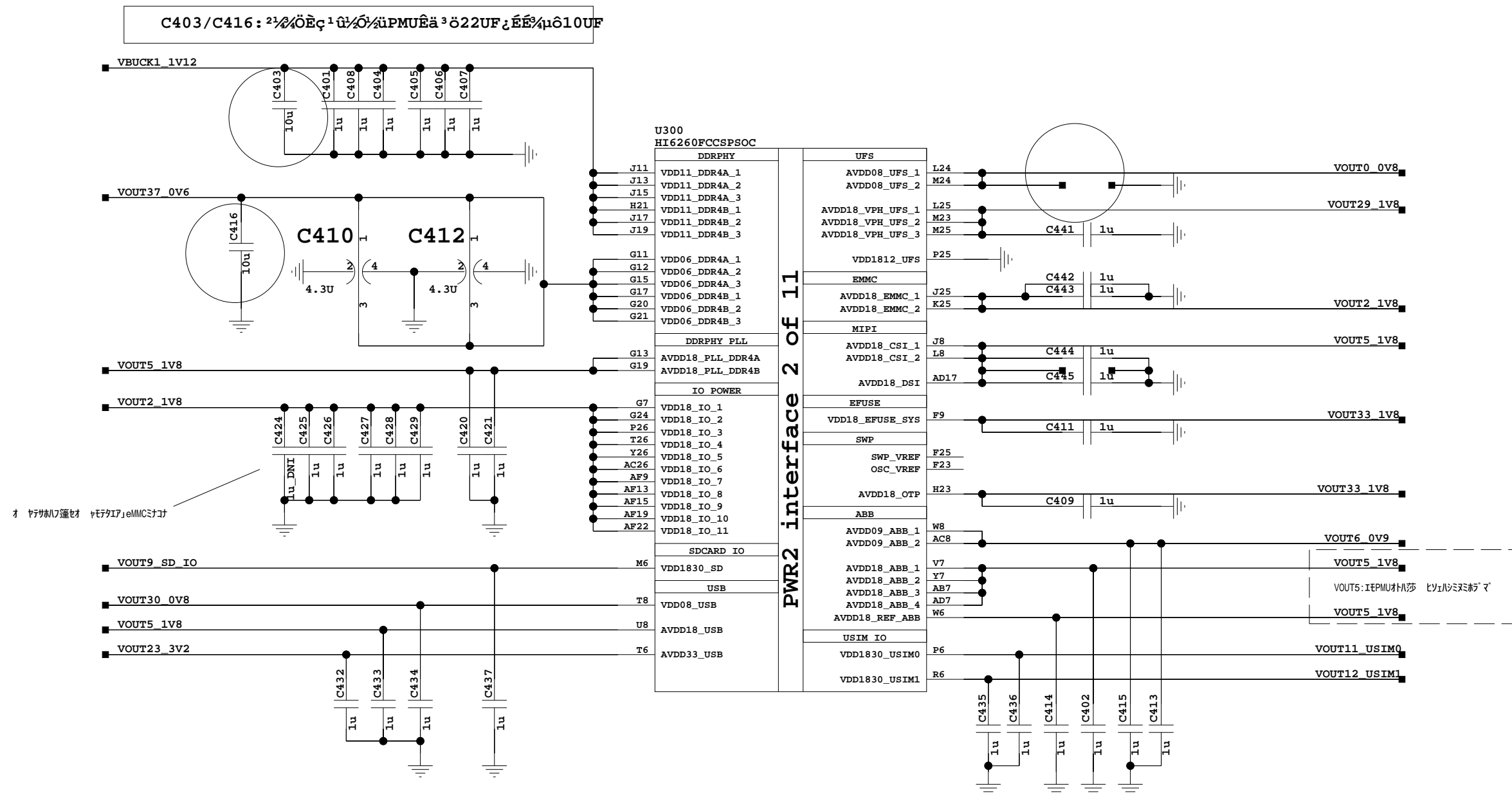
AP Temperature DET



The type and specification of the components refer to the BOM

				NA	2018/12/05
				ECA NO	DATE
DESIGNED	HUAWEI	NOVA5I		00001234	
REVIEWED	lvluzhen 00346892	VER	PART_NUMBER	SHEET 3_S00FPWR54	
		A	03030001	HUAWEI TECH CO.,LTD.	

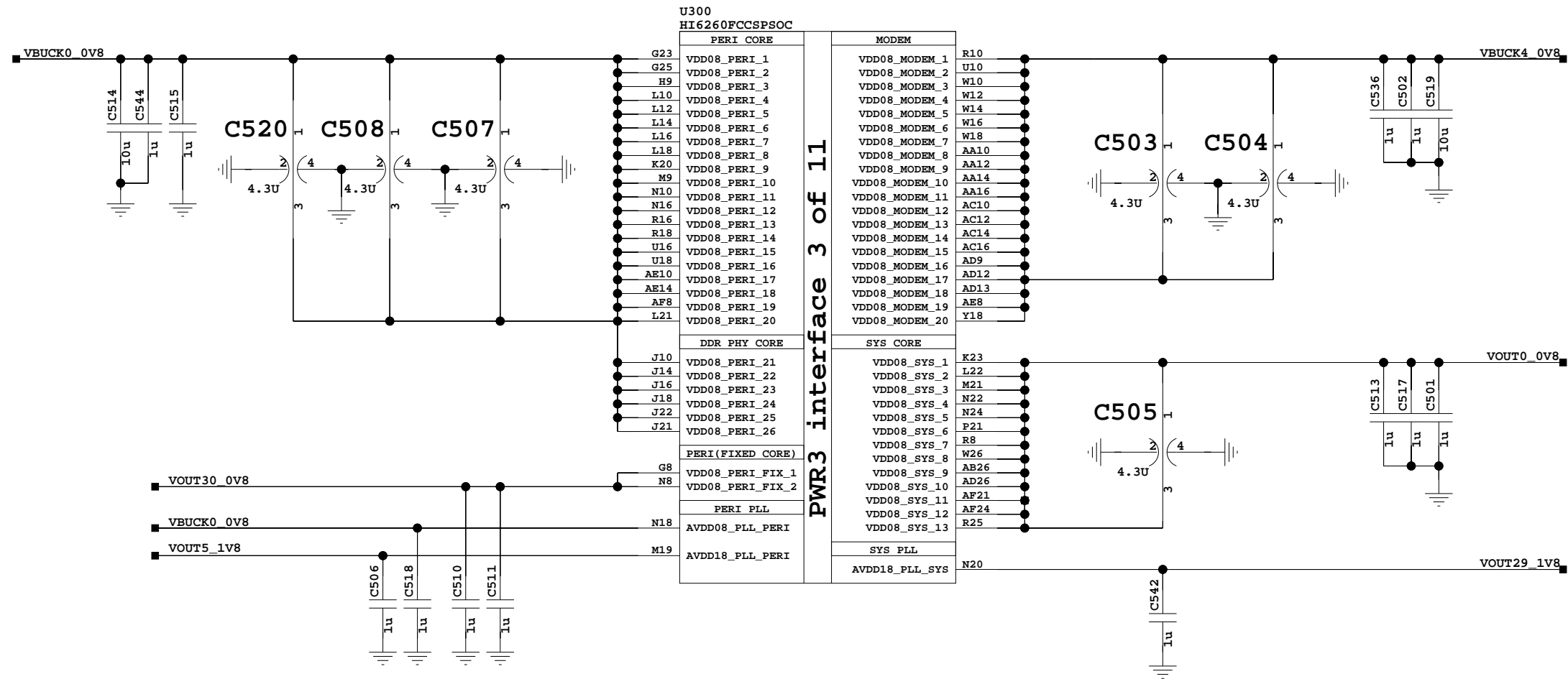
4.SOC PWR2



The type and specification of the components refer to the BOM

				NA	2018/12/05
				ECA NO	DATE
DESIGNED	HUAWEI	NOVA5I		00001234	
REVIEWED	lvuzhen 00346892	VER	PART_NUMBER	SHEET 4_S00FPWR04	
		A	03030001	HUAWEI TECH CO.,LTD.	

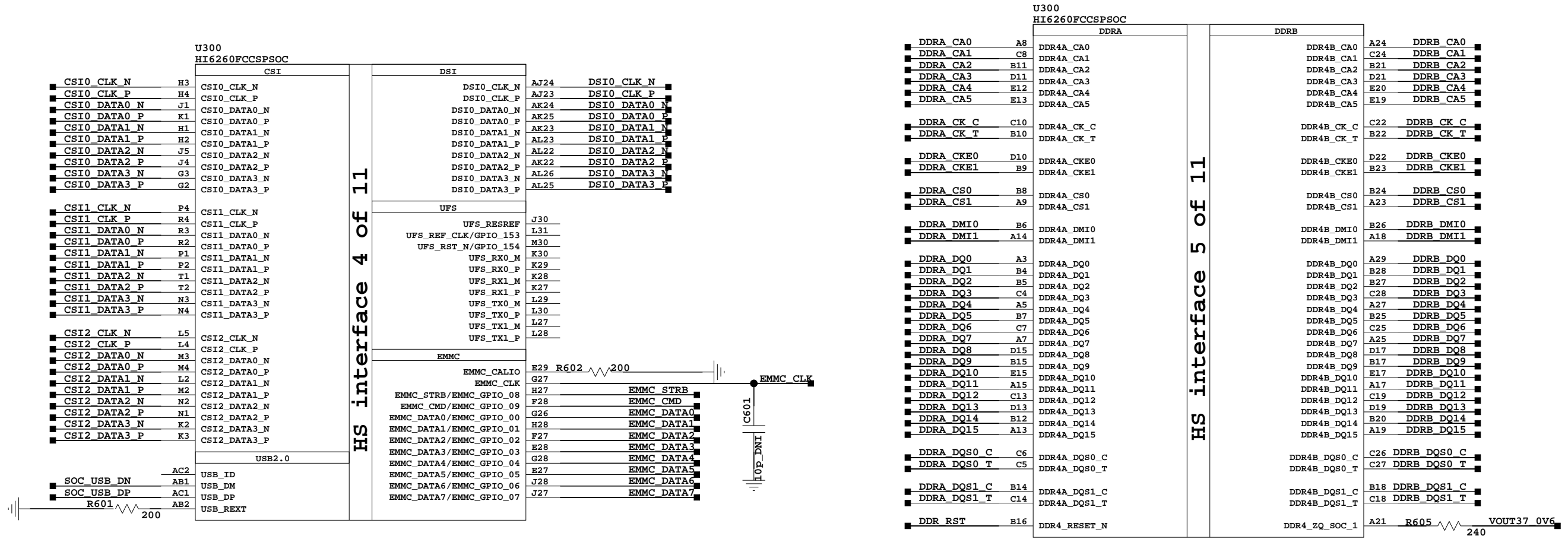
5.SOC PWR3



The type and specification of the components refer to the BOM

				NA	2018/12/05
				ECA NO	DATE
DESIGNED	HUAWEI	NOVA5I		00001234	
REVIEWED	lvluzhen 00346892	VER	PART_NUMBER	SHEET 5_SOOPWR64	
		A	03030001	HUAWEI TECH CO.,LTD.	

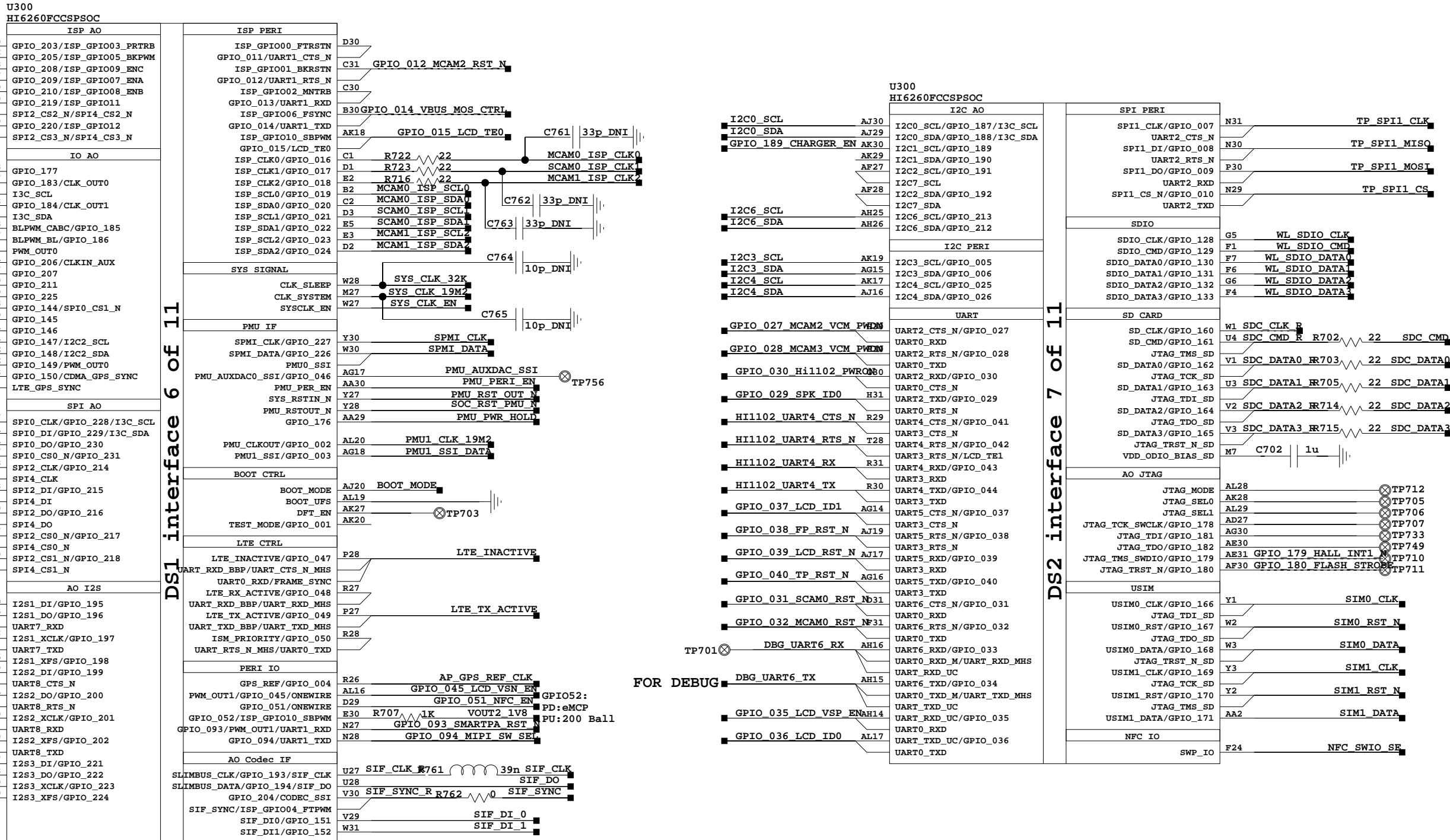
6.SOC HS Interface



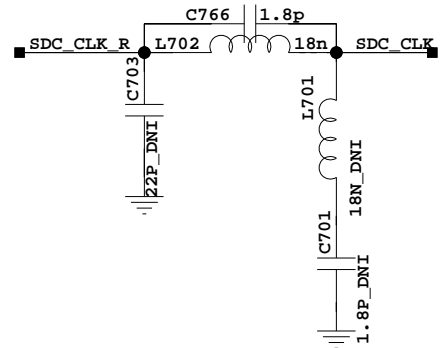
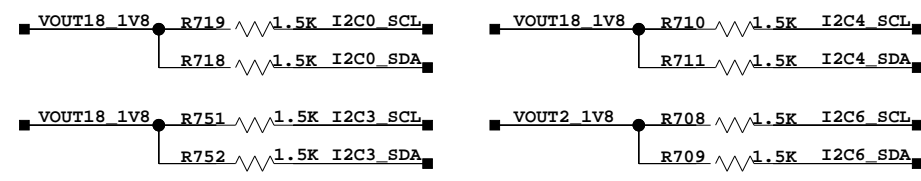
The type and specification of the components refer to the BOM

				NA	2018/12/05
				ECA NO	DATE
DESIGNED	HUAWEI			00001234	
REVIEWED	lvuzhen 00346892			00001234	
		NOVA5I		00001234	
		VER	PART_NUMBER	SHEET 6_S00FHS Interface	
		A	03030001	HUAWEI TECH CO.,LTD.	

7.SOC GPIO Interface



Classified by Huawei AB30A

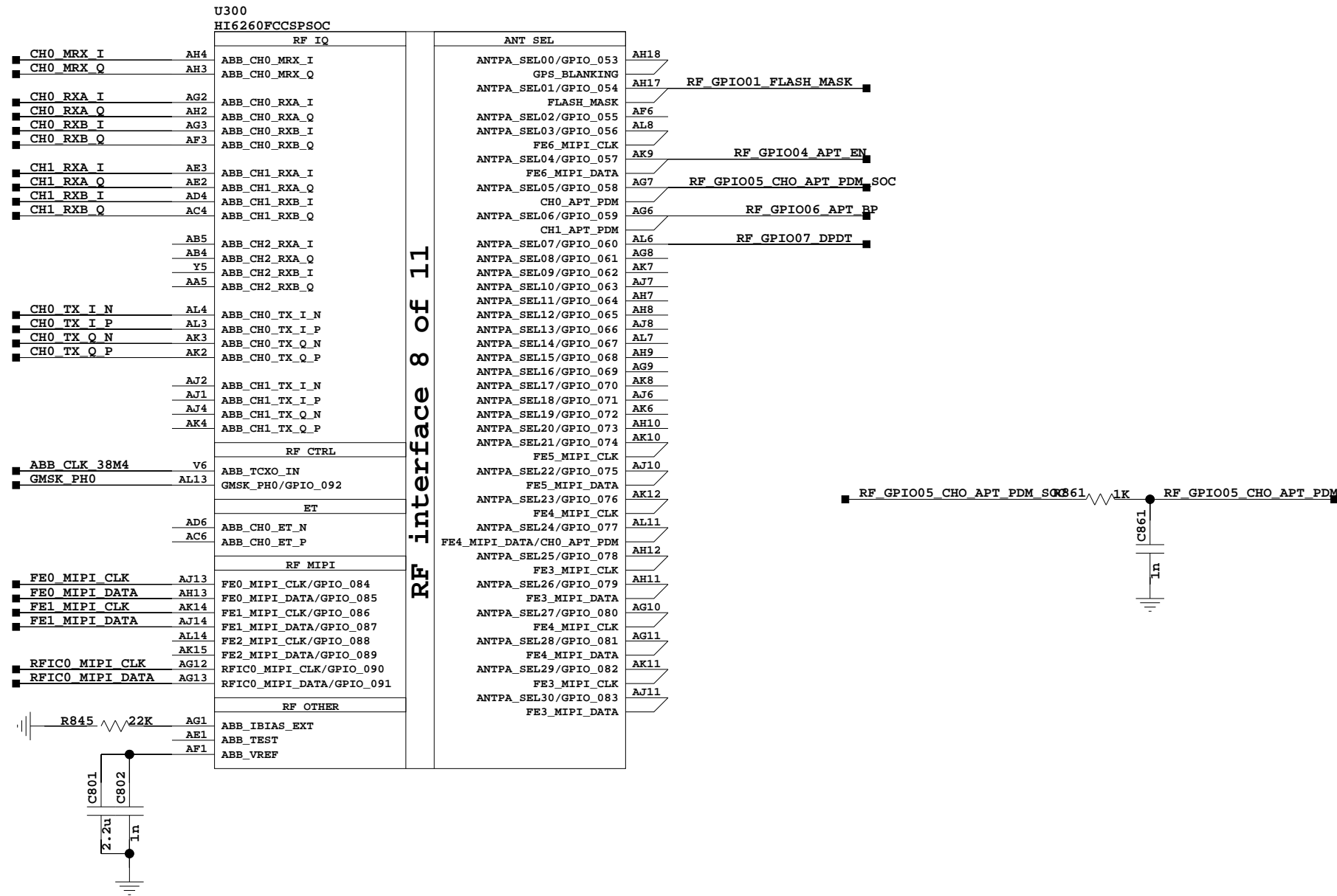


FOR DEBUG

The type and specification of the components refer to the BOM

DESIGNED	HUAWEI	NOVA5I	00001234
REVIEWED	lvluzhen 00346892	VER	PART_NUMBER
		A	03030001
			SHEET 7_SO0FGPI04Interface
			HUAWEI TECH CO.,LTD.

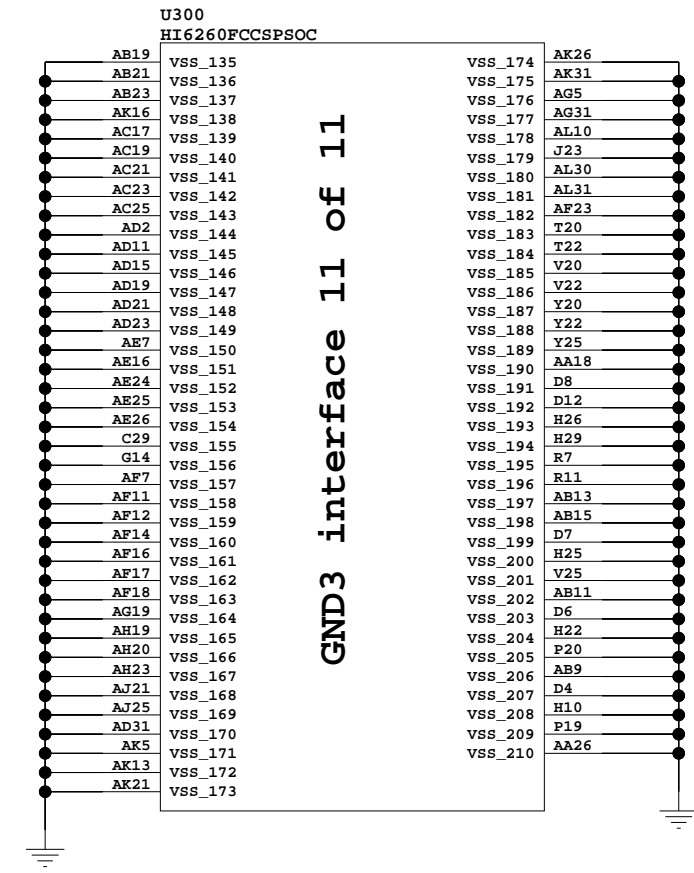
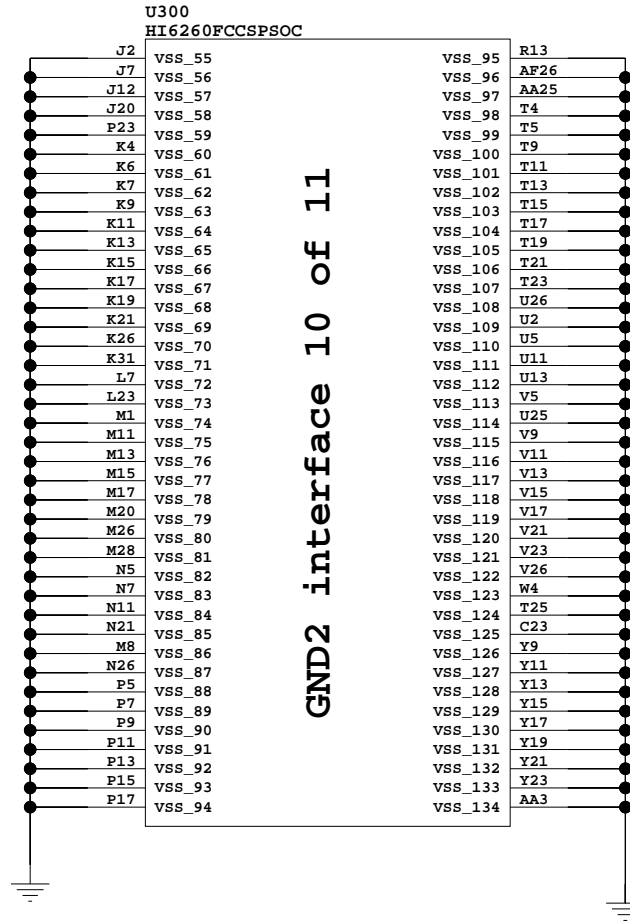
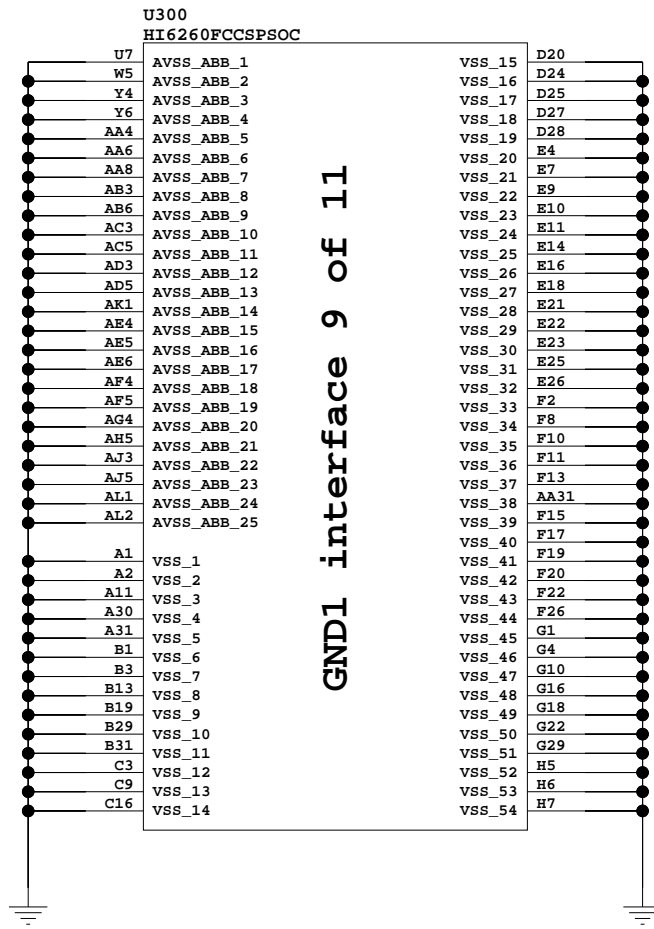
8.SOC RF Interface



The type and specification of the components refer to the BOM

				NA	2018/12/05
				ECA NO	DATE
DESIGNED	HUAWEI	NOVA5I		00001234	
REVIEWED	lvluzhen 00346892	VER	PART_NUMBER	SHEET 8_S00FRF Interface	
		A	03030001	HUAWEI TECH CO.,LTD.	

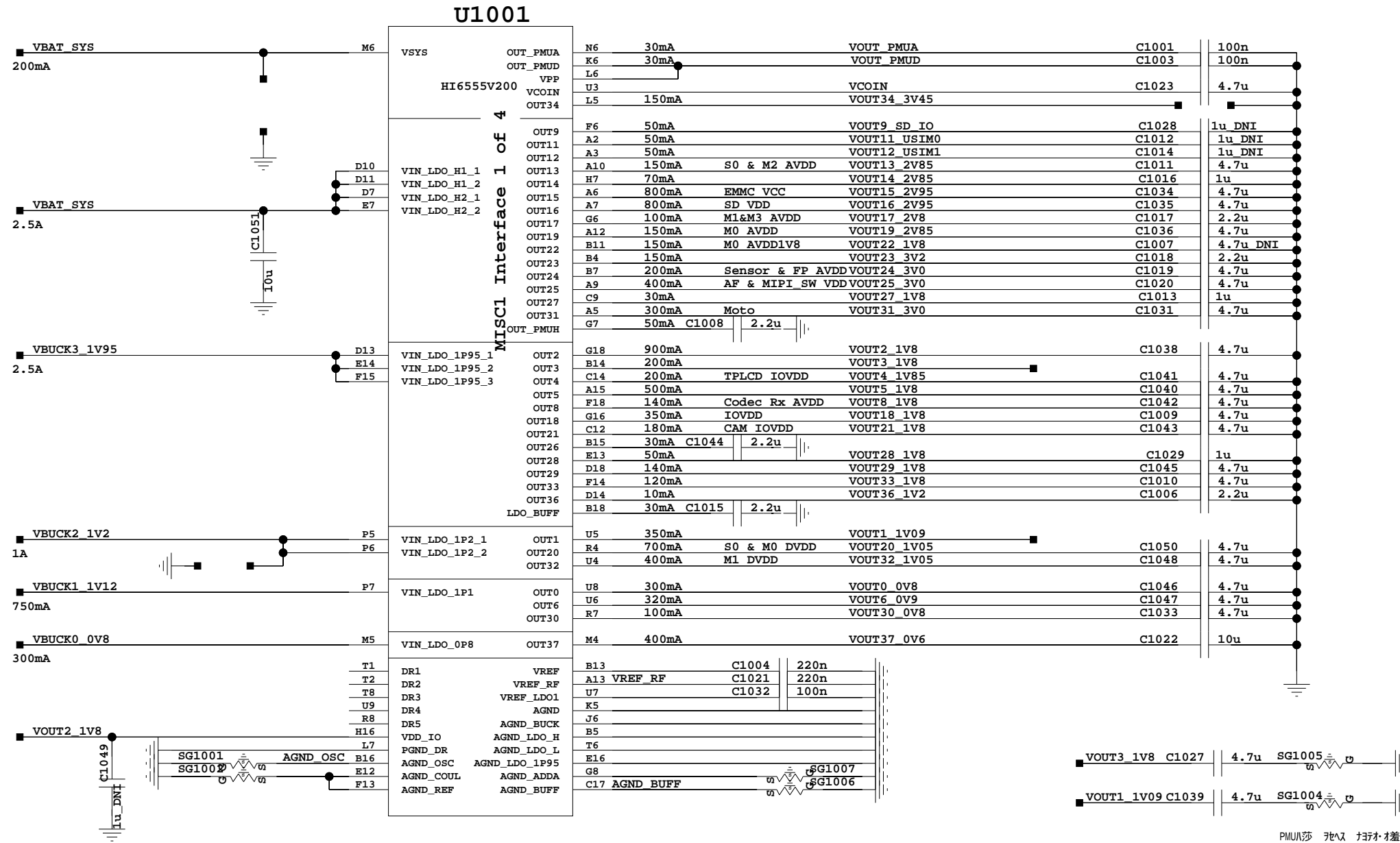
9.SOC GND



The type and specification of the components refer to the BOM

				NA	2018/12/05
				ECA NO	DATE
DESIGNED	HUAWEI	NOVA5I		00001234	
REVIEWED	lvluzhen 00346892	VER	PART_NUMBER	SHEET 9_SO0FGND64	
		A	03030001	HUAWEI TECH CO.,LTD.	

10.PMU LDO

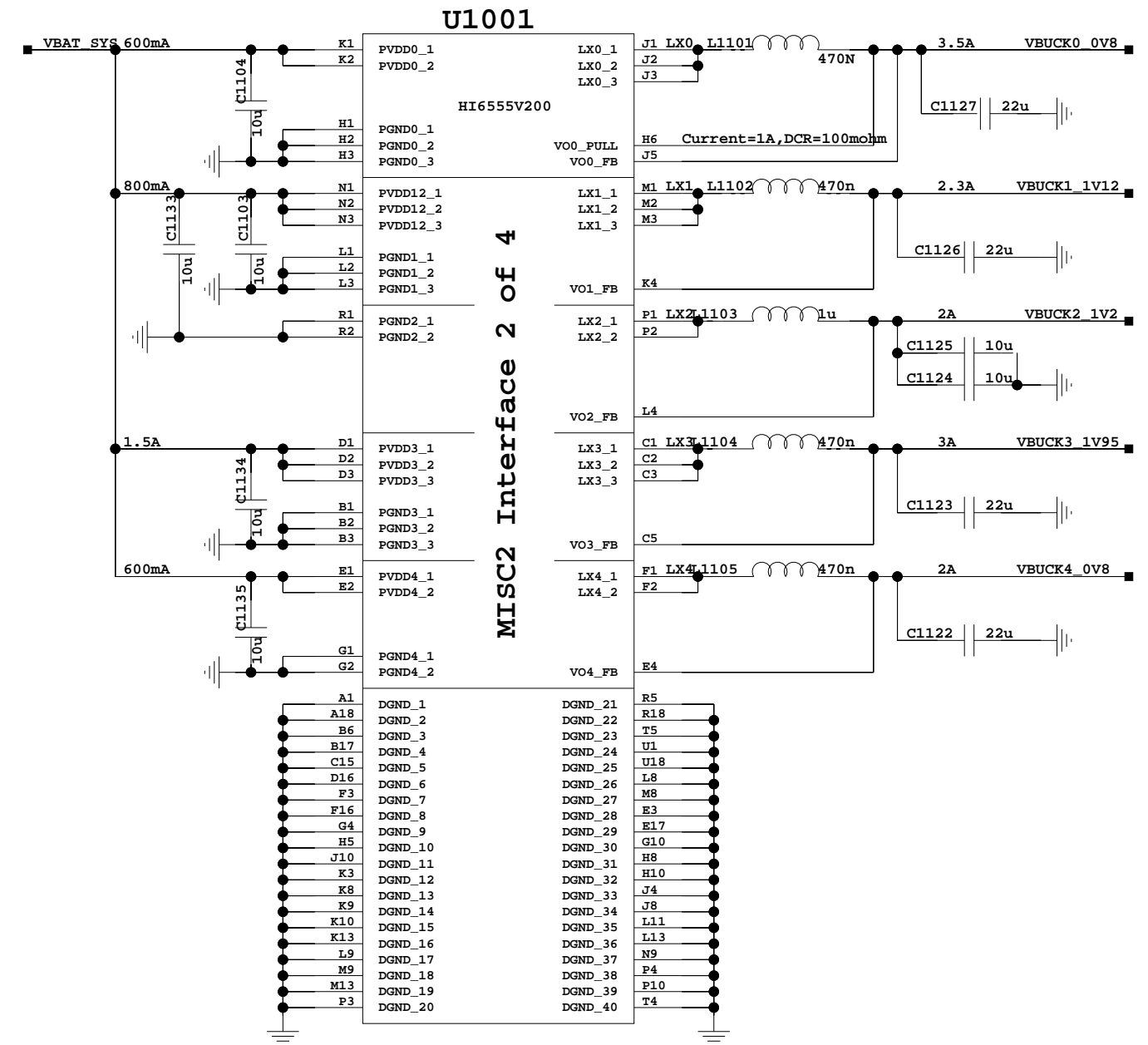
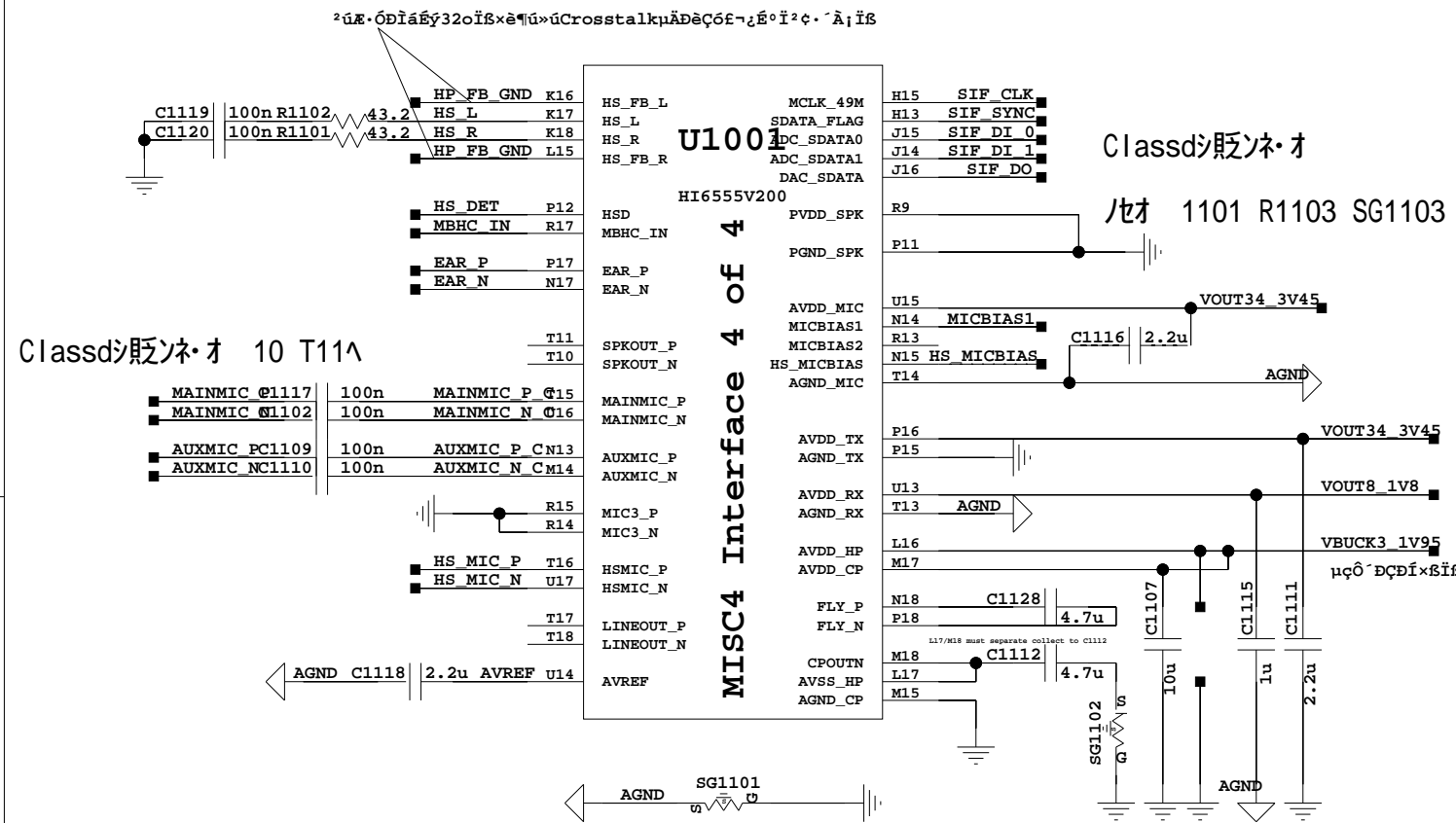


Output	default	current	TYP voltage	function
LDO1	OFF	350	1.09	RFIC0 AVDD
LDO2	ON	900	1.8	PMU dig/RFIC/SOC1V8IO/LPDDR4X VDD/UFS VCCQ2/S
LDO3	OFF	200	1.8	RFIC0 AVDD2
LDO4	OFF	200	1.8	LCDIV8 IO/TP1V8 IO
LDO5	ON	500	1.8	PHY ANA/ABB AVDD1V8
LDO8	OFF	140	1.8	6403ANALOG/CLASSDIV8
LDO9	OFF	50	1.8/2.95	SD IO
LDO11	OFF	50	1.8	SIM0
LDO12	OFF	50	1.8	SIM1
LDO13	OFF	150	2.85	S camera analog
LDO14	OFF	70	2.85	RF FEM/AUXDAC
LDO15	ON	800	2.95	EMMC/UFS VDD
LDO16	OFF	800	2.95	SD card
LDO17	OFF	100	2.8	LCD TP VCI
LDO18	ON	350	1.8	fp/SENSOR IO FP AVDD/CON IO/NFC IO/64031V8
LDO19	OFF	150	2.8	M camera analog
LDO20	OFF	700	1.11	M Camera Core
LDO21	OFF	180	1.8	Camera io
LDO22	OFF	150	2.8	Back Camera Analog
LDO23	ON	150	3.2	HKADC
LDO24	ON	200	2.8	X Sensor AVDD
LDO25	OFF	400	2.85	Camera VCM
LDO26	ON	30	1.35	38.4 AVDD
LDO27	ON	50	1.8	HKADC
LDO28	OFF	50	1.8	RF MIPI I/O
LDO29	ON	140	1.8	UFS PHY/SYS CLK BUF
LDO30				
LDO31	OFF	300	2.8	Vibrator
LDO32	OFF	400	1.11	S Camera Core
LDO33	OFF	120	1.8	EFUSE
LDO34	ON	150	3.45	CODEC RCV/MICBIAS

The type and specification of the components refer to the BOM

				NA	2018/12/05
				ECA NO	DATE
DESIGNED	HUAWEI				
REVIEWED	lvluzhen 00346892				
		NOVA5I			00001234
		VER	PART_NUMBER		SHEET 10_P <u>PMU</u> LD64
		A	03030001		HUAWEI TECH CO.,LTD.

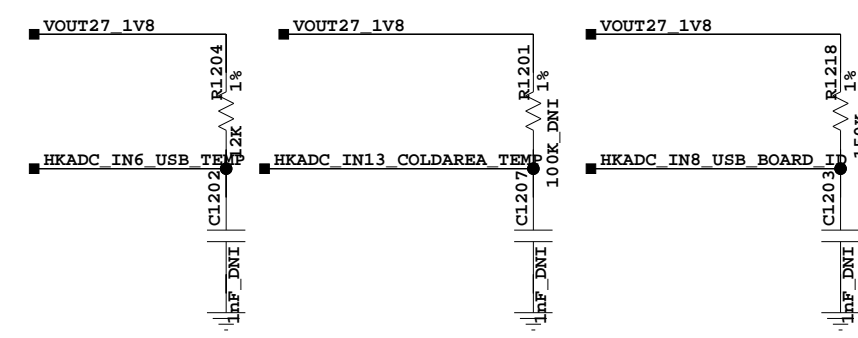
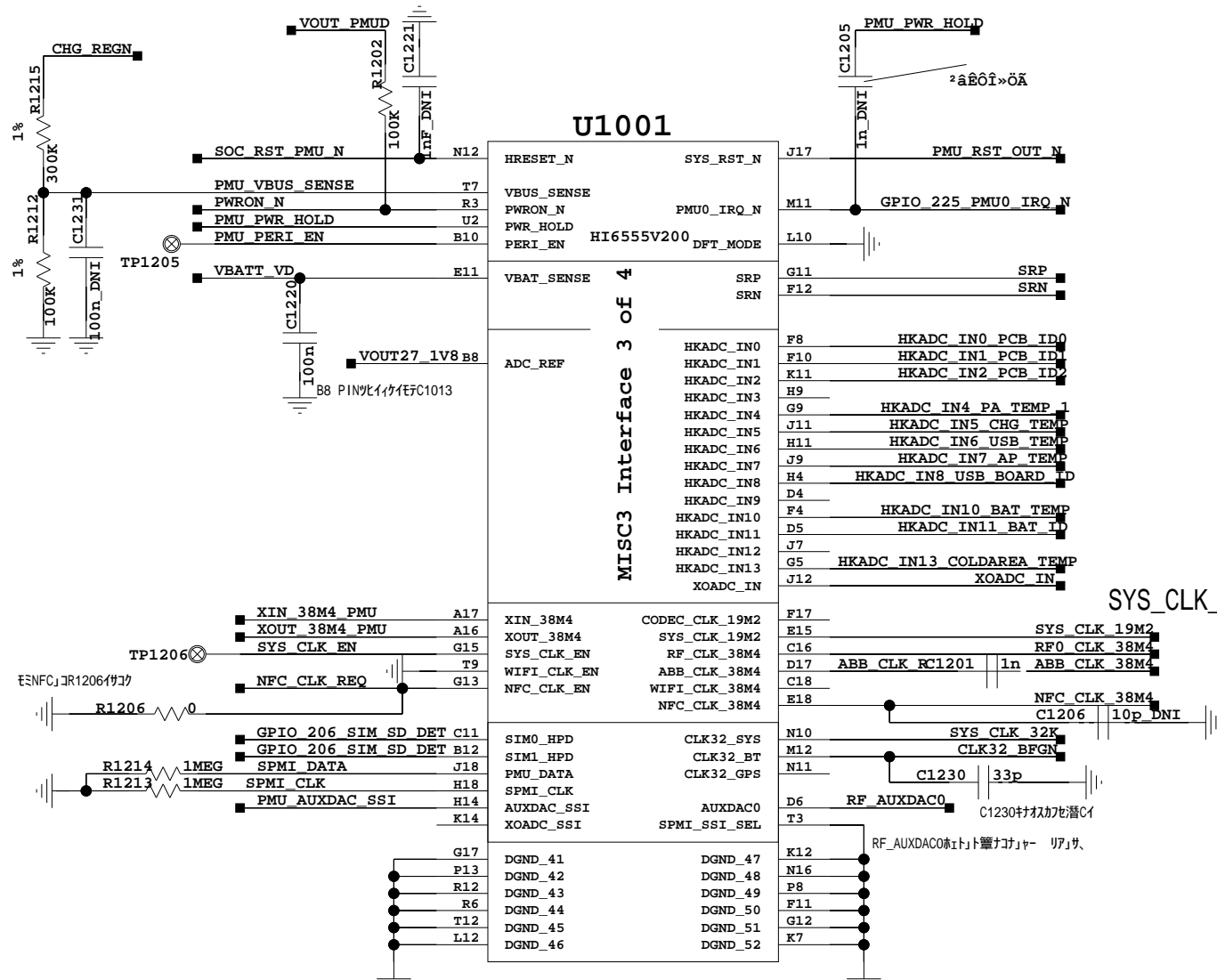
11.PMU BUCK/CODEC



The type and specification of the components refer to the BOM

				NA	2018/12/05
				ECA NO	DATE
DESIGNED	HUAWEI	NOVA5I		00001234	
REVIEWED	lvuzhen 00346892				
		VER	PART_NUMBER	SHEET 11.PMU BUCK/CODEC	
		A	03030001	HUAWEI TECH CO.,LTD.	

12. PMU Digital



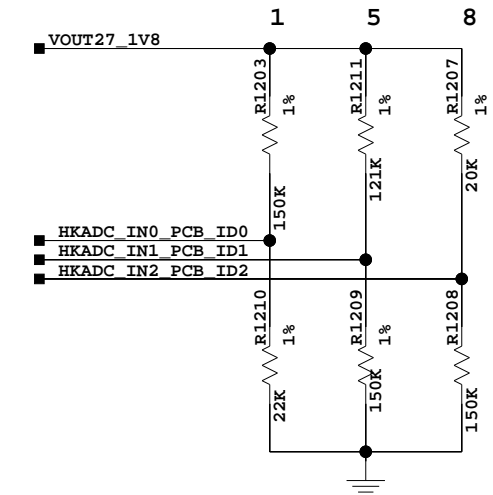
USB Board ID DET

HKADC 0~13

HKADC_IN0	APU Board ID0 (RF USE)
HKADC_IN1	APU Board ID1
HKADC_IN2	APU Board ID2
HKADC_IN3	RESERVED
HKADC_IN4	PA TEMP DET0
HKADC_IN5	Charge TEMP
HKADC_IN6	USB TEMP ADC
HKADC_IN7	AP TEMP
HKADC_IN8	USB BOARD ID
HKADC_IN9	RESERVED
HKADC_IN10	BATT TEMP
HKADC_IN11	BATT ID
HKADC_IN12	RESERVED
HKADC_IN13	RESERVED

SYS_CLK_19M2I 回路

BOARD ID

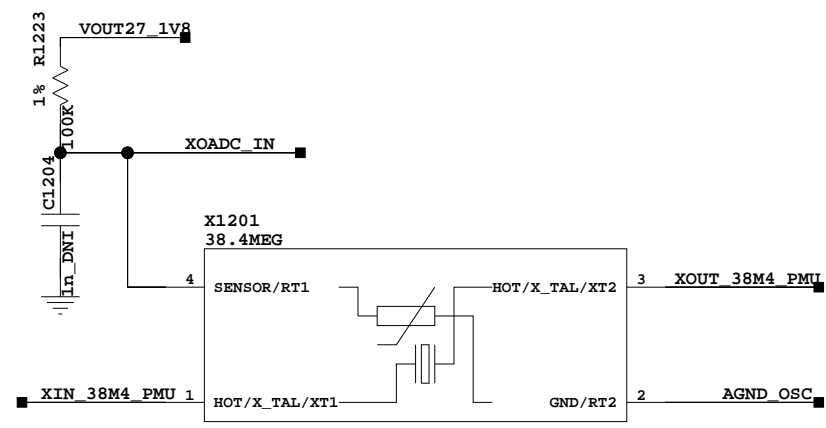


Board ID Resistor Set

ID	UP RES	DOWN RES
0	NC	0K
1	150K	22K
2	100K	30K
3	200K	100K
4	150K	121K
5	121K	150K
6	51K	100K
7	30K	100K
8	20K	150K
9	150K	NC

Resistor Code

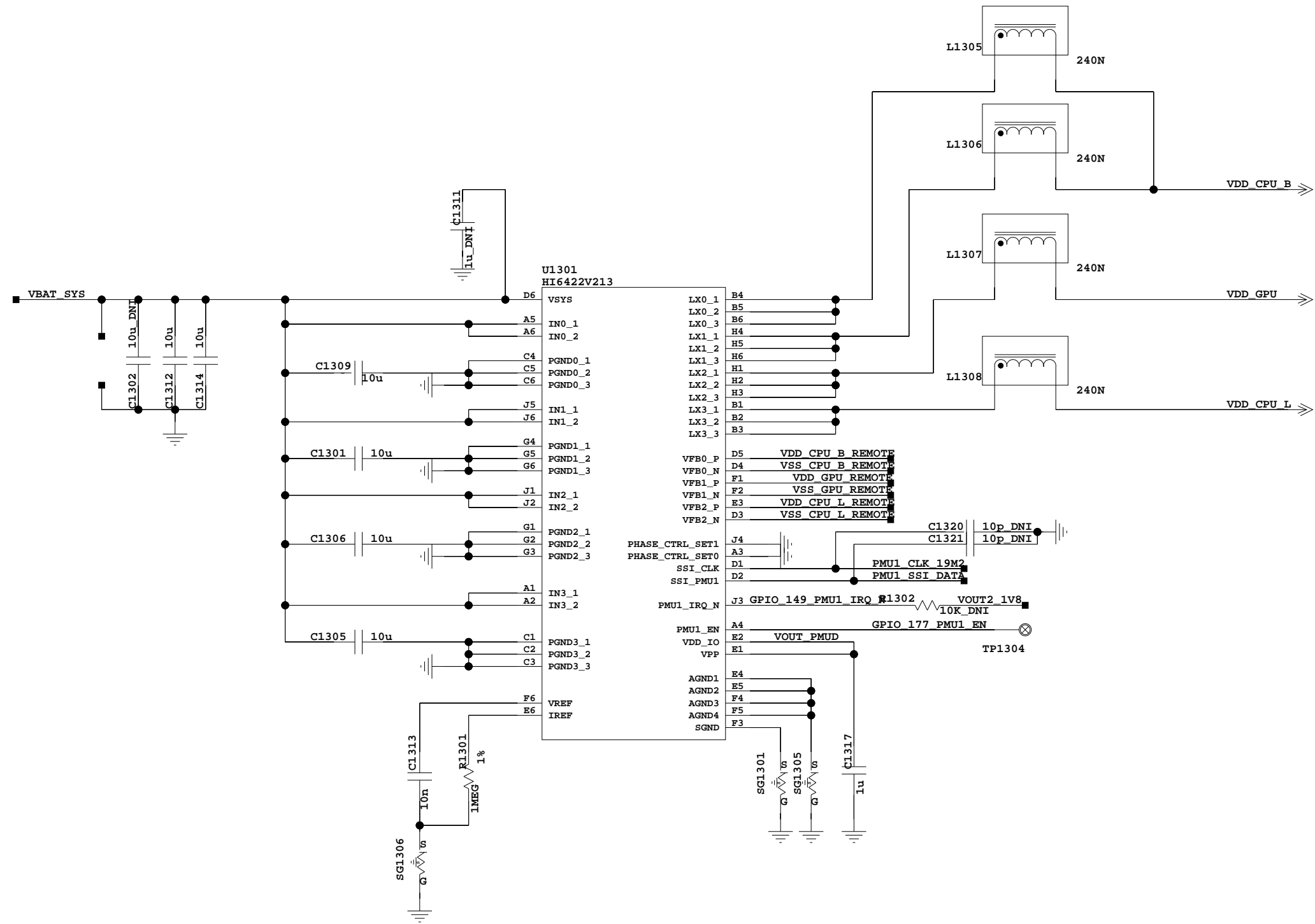
0K	07090911
20K	07092448
22K	07091172
30K	07091299
51K	07091302
100K	07091246
121K	07091176
150K	07092138
200K	07091406



The type and specification of the components refer to the BOM

DESIGNED	HUAWEI	NOVA5I		2018/12/05	
REVIEWED	lvluzhen 00346892			12_PMU Digital	
		VER	PART_NUMBER	SHEET	OF 64
		A		HUAWEI TECH CO.,LTD.	

13.Hi6422



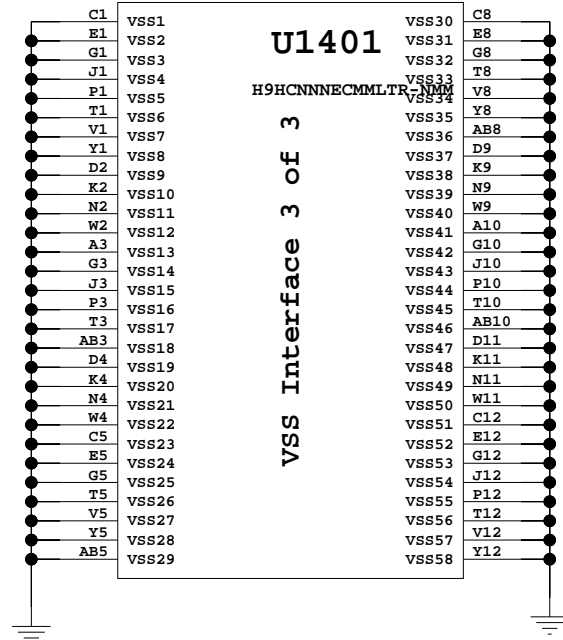
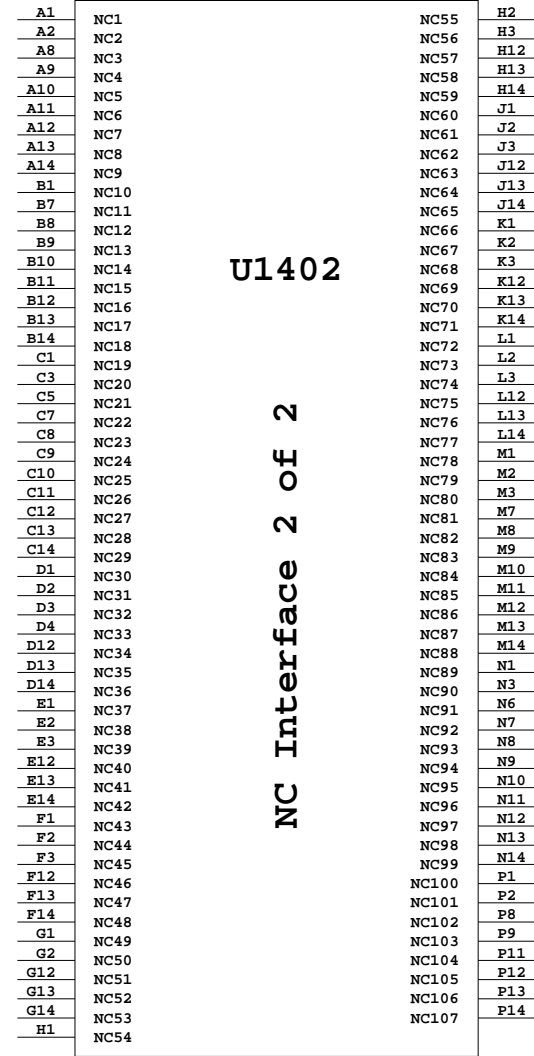
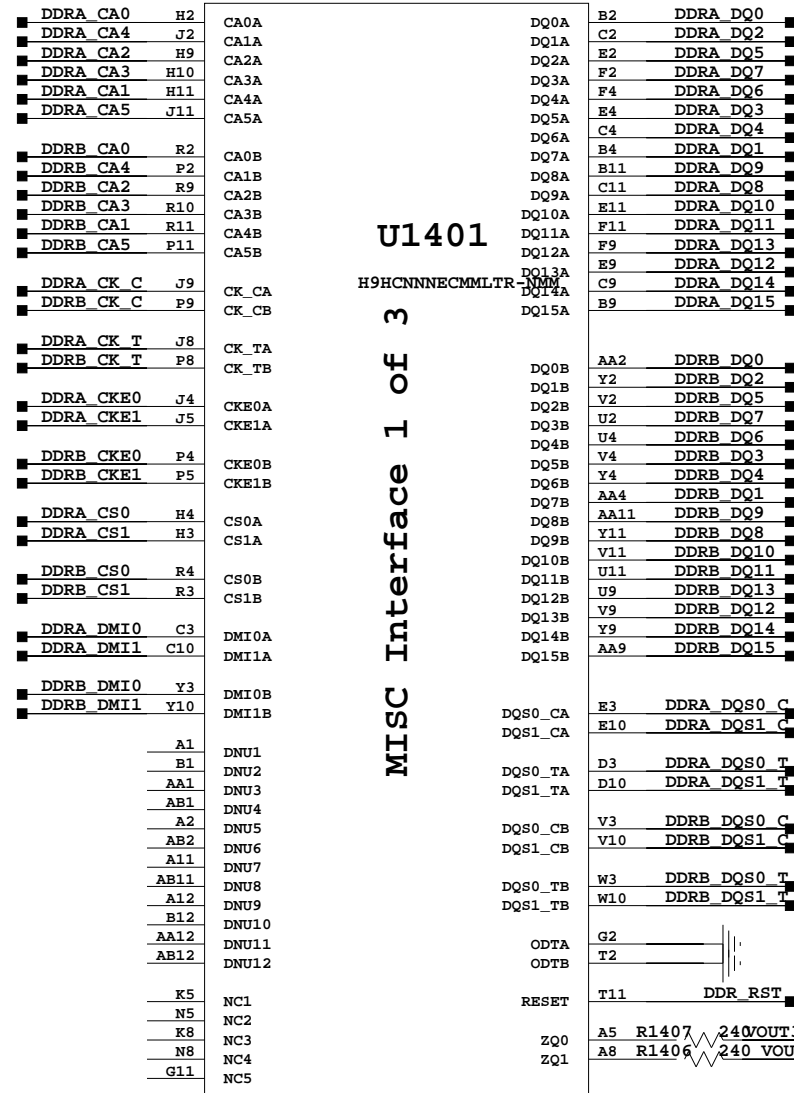
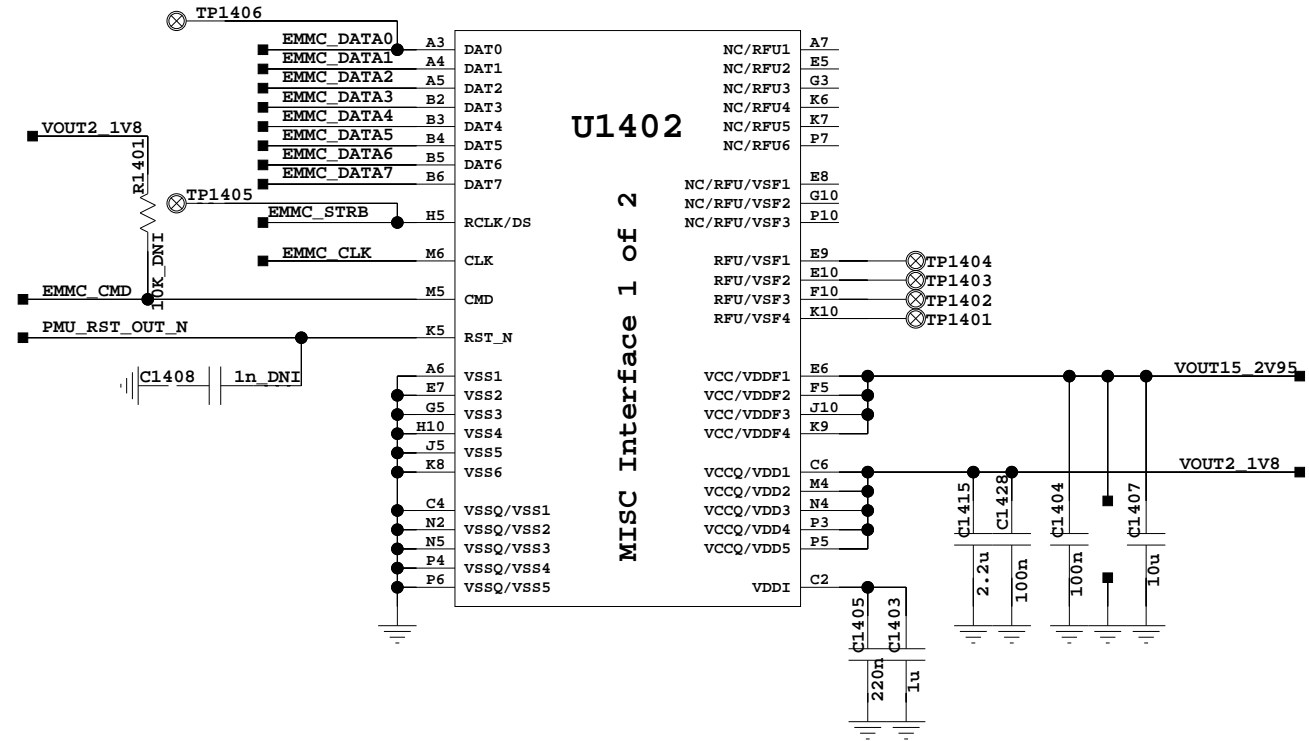
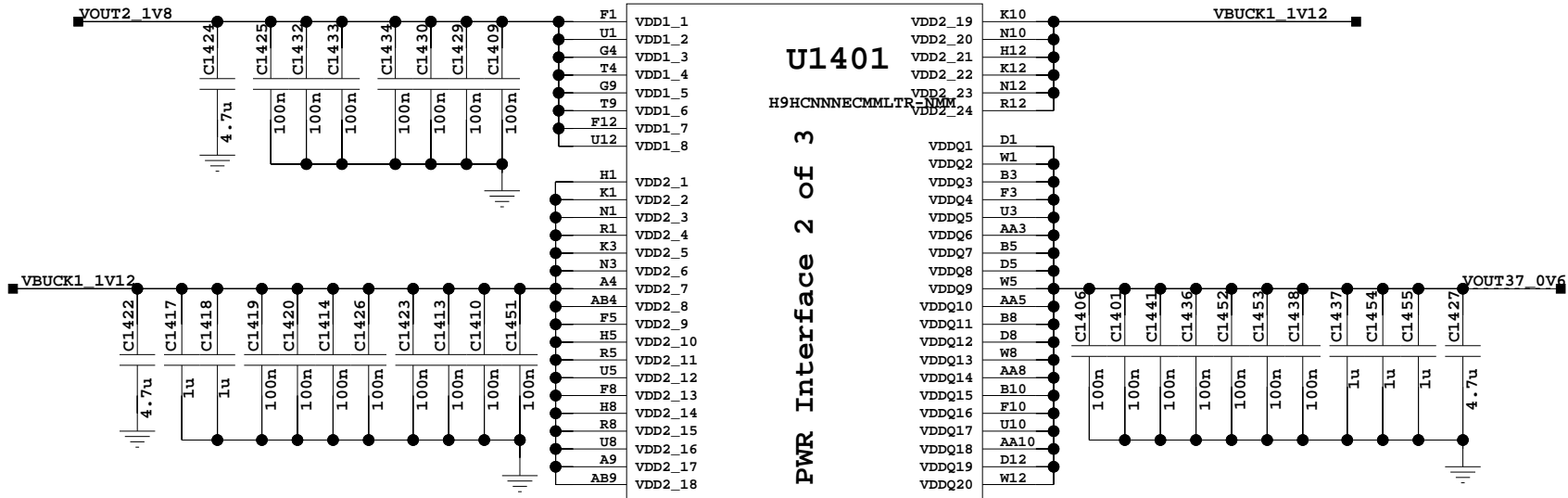
The type and specification of the components refer to the BOM

			NA	2018/12/05
			ECA NO	DATE
DESIGNED	HUAWEI	NOVA5I	00001234	
REVIEWED	lvluzhen 00346892			
		VER	PART_NUMBER	SHEET 13_Hi642264
		A	03030001	HUAWEI TECH CO.,LTD.

14. eMMC/LpDDR4x

DDR_J 14GB

EMMC_J 128GB



The type and specification of the components refer to the BOM

DESIGNED	HUAWEI	NOVA5I	00001234
REVIEWED	lvluzhen 00346892	NOVA5I	00001234
		VER	PART_NUMBER
		E	03030001
		SHEET	14 EMMC/LpDDR4x
		HUAWEI TECH CO.,LTD.	

NA 2017-08-01
ECA NO DATE

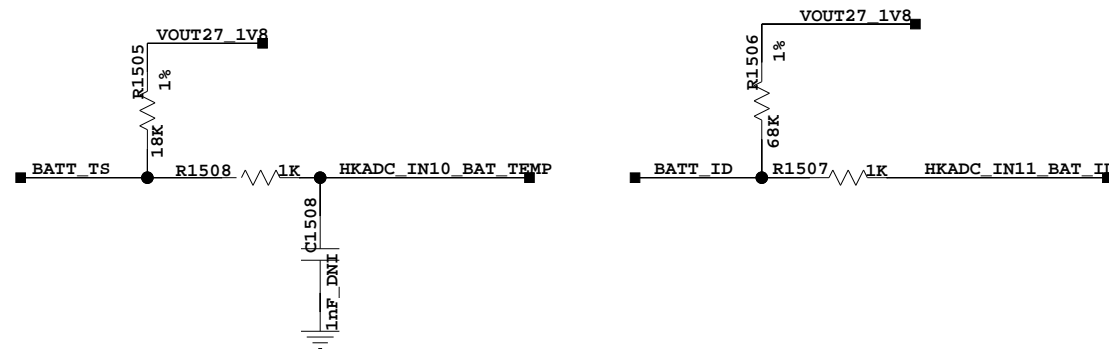
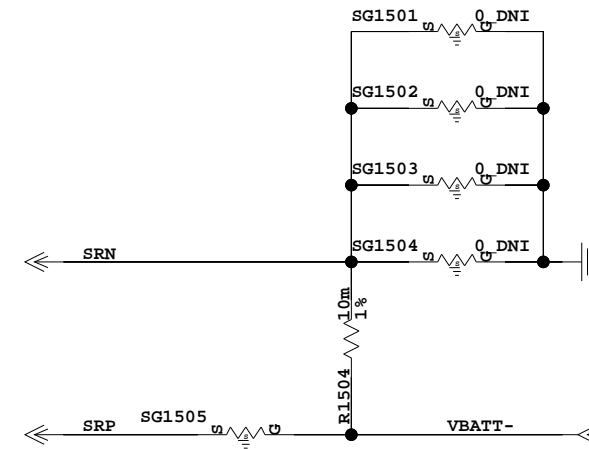
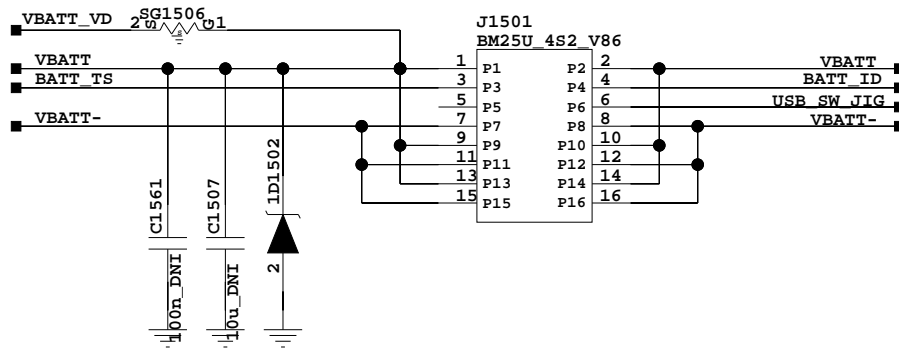
00001234

SHEET 14 EMMC/LpDDR4x

HUAWEI TECH CO.,LTD.

15. Battery & Fuel guage

Battery Connector



Battery Temperature

Battery ID

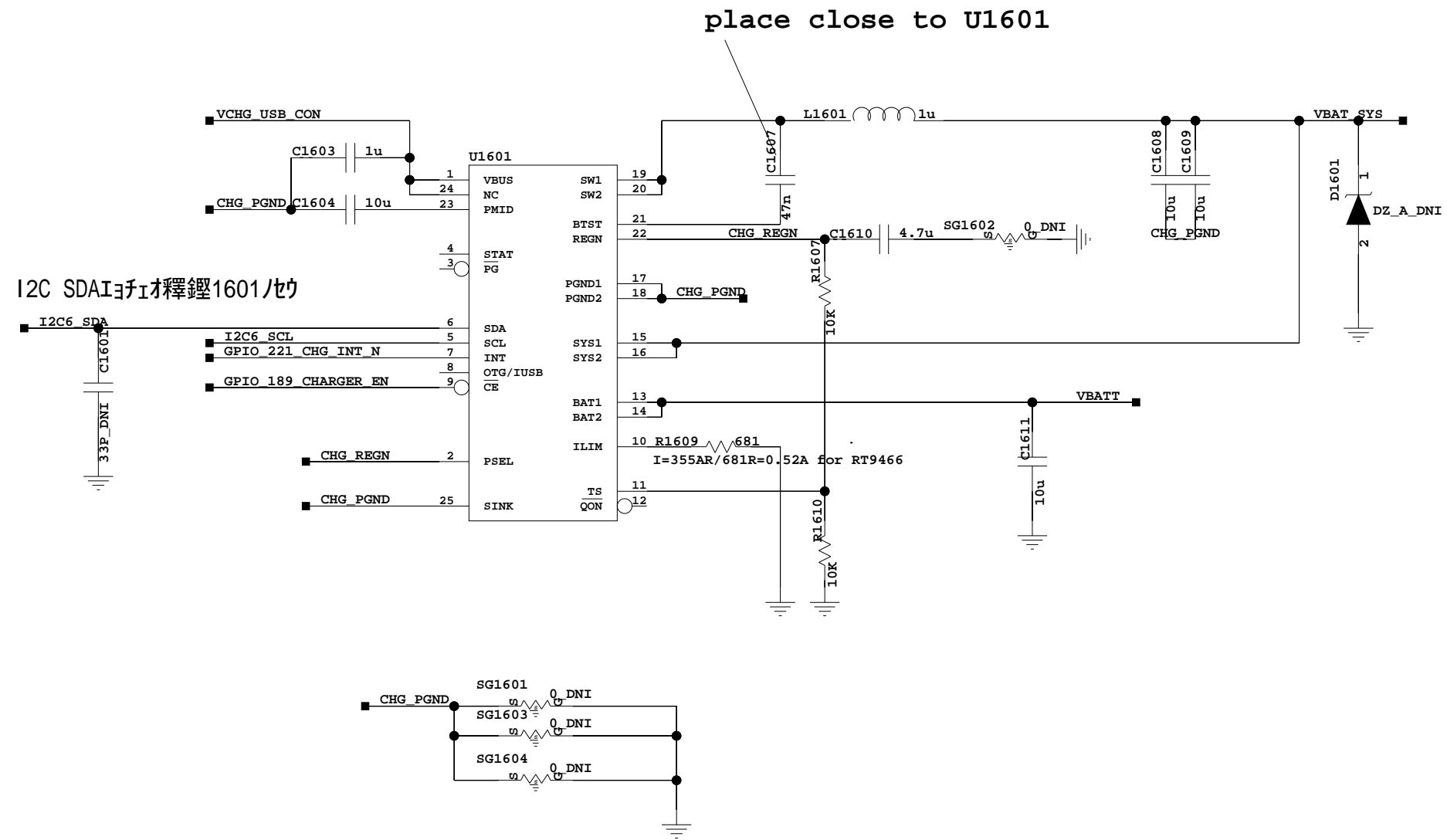
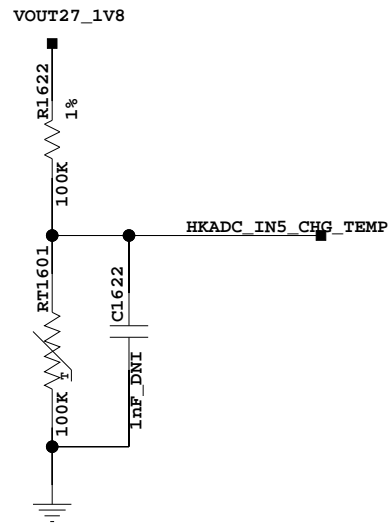
CAD note: 1. Trace for 6A
2. Differential trace

The type and specification of the components refer to the BOM

				ECA NO	DATE
DESIGNED	ZHANGWEI 00267965	NOVA5I		15 Battery	
REVIEWED	HUAWEI				
		VER	PART_NUMBER	SHEET	OF 64
		A		HUAWEI TECH CO.,LTD.	

16. Charge Management

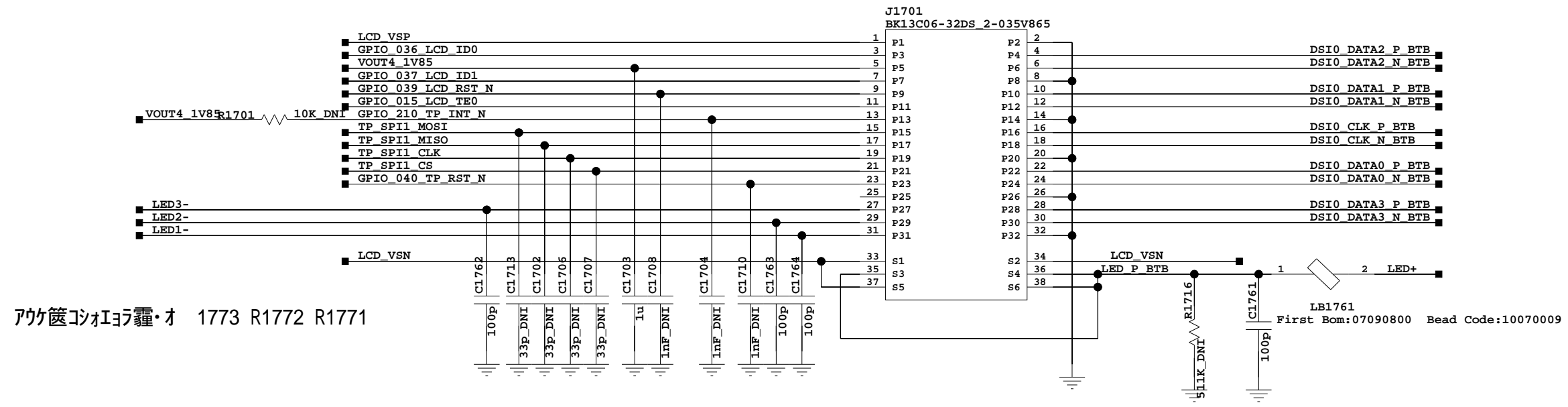
Charger IC



The type and specification of the components refer to the BOM

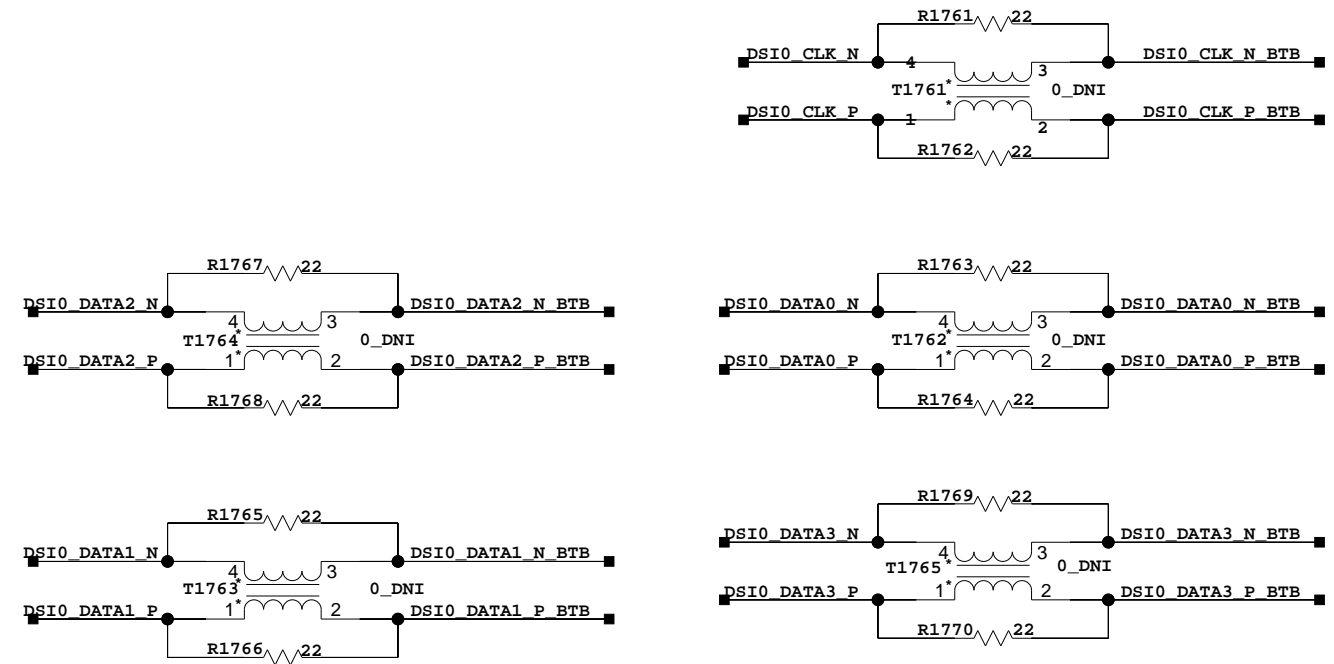
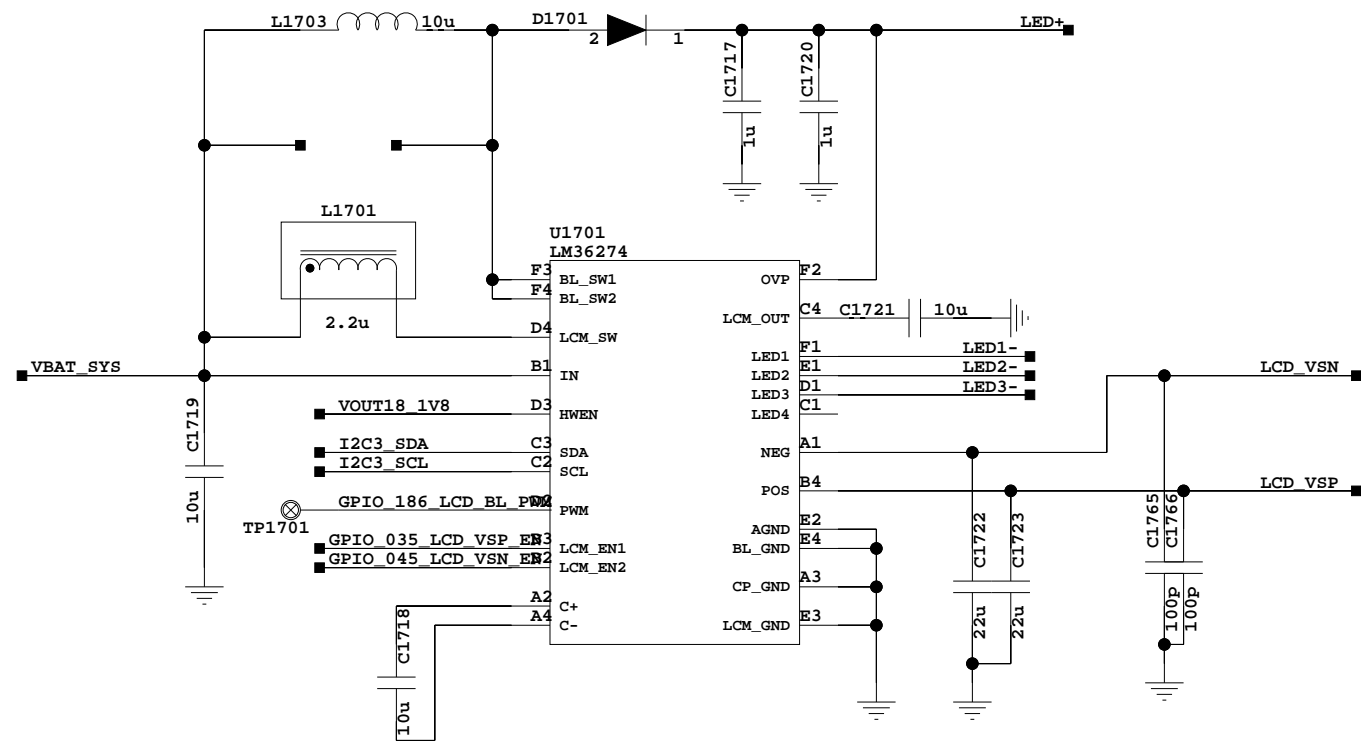
				22-03-2019_12:10
			ECA NO	DATE
DESIGNED	fengyingqun 00317730	NOVA5I		16 Scharger
REVIEWED	lvluzhen 00346892			
		VER	PART_NUMBER	SHEET OF 64
				HUAWEI TECH CO.,LTD.

17. LCD and TP INTERFACE



アウパシヨヲヲ 1773 R1772 R1771

CAP tolerance above 50V!!!

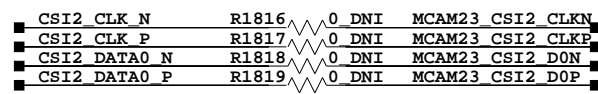
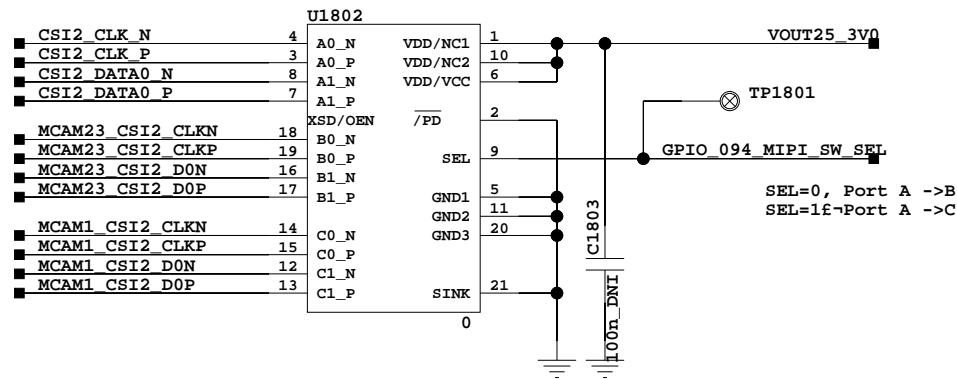
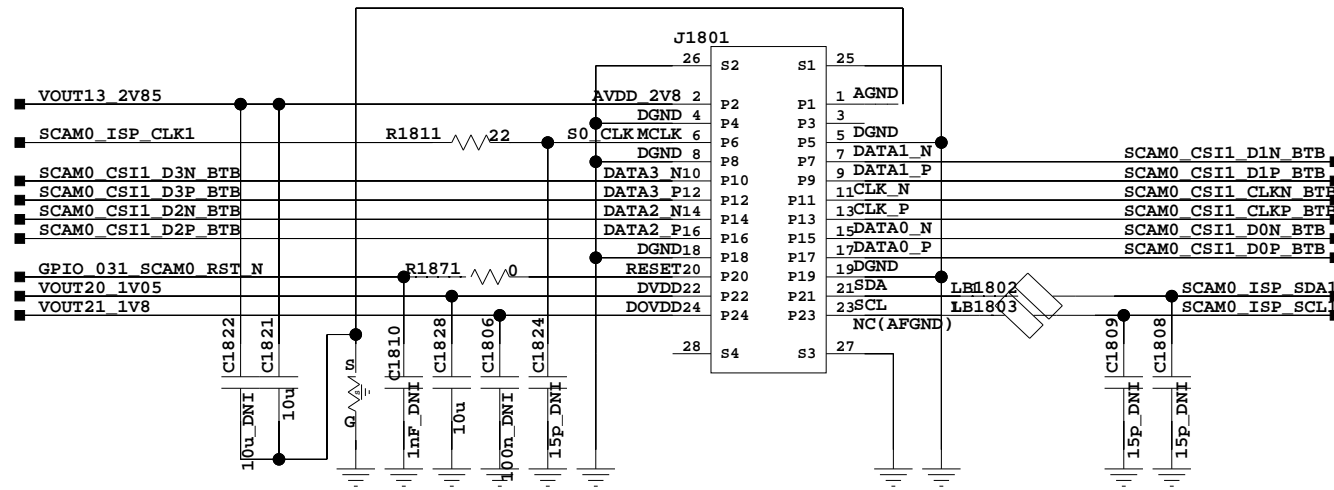


The type and specification of the components refer to the BOM

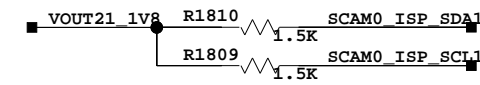
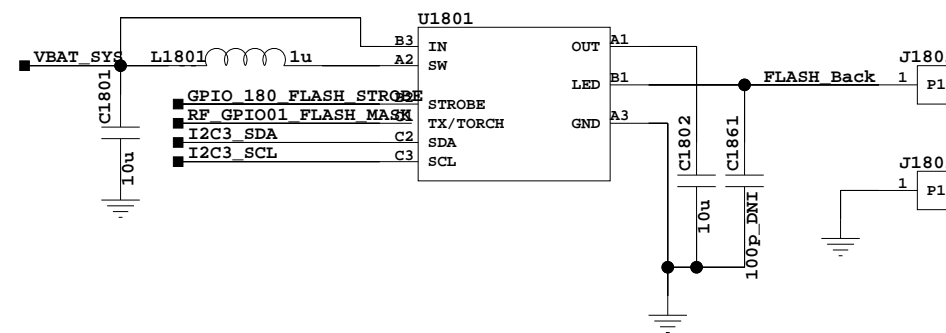
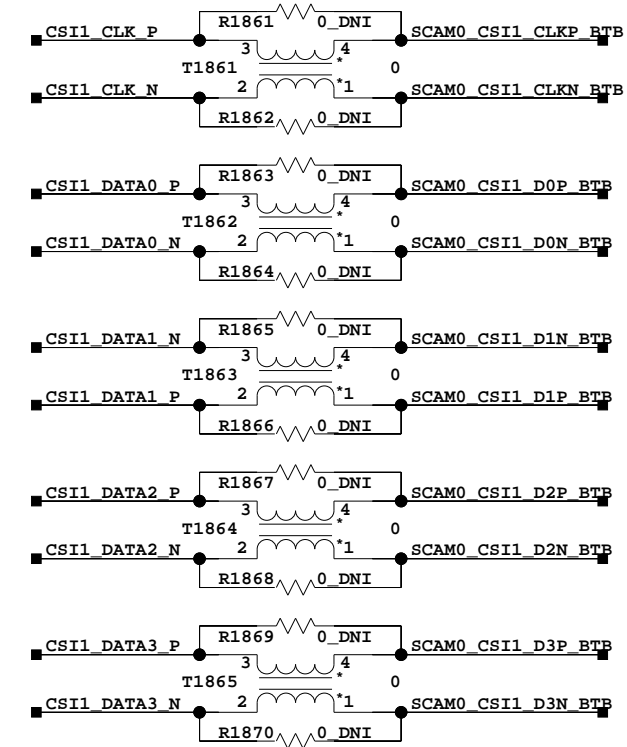
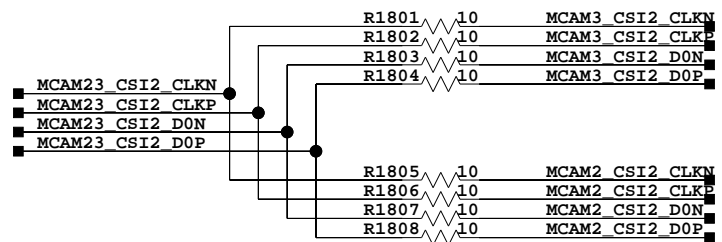
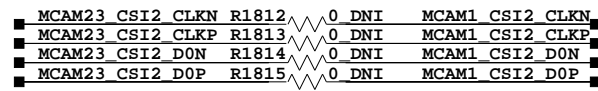
				ECA NO	DATE
DESIGNED	ZHANGWEI 00267965	NOVA5I		17 LCD	
REVIEWED	HUAWEI				
		VER	PART_NUMBER	SHEET	OF 64
		A		HUAWEI TECH CO.,LTD.	

18. Flash/front Camera

S0 Slave CAM



MCAM1 x CSI2



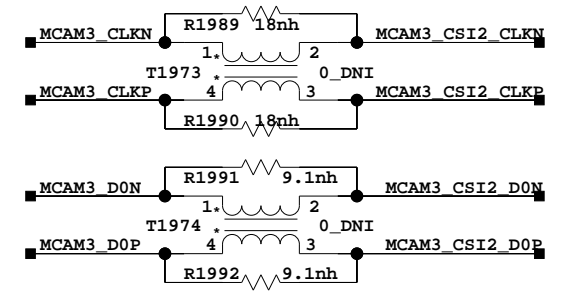
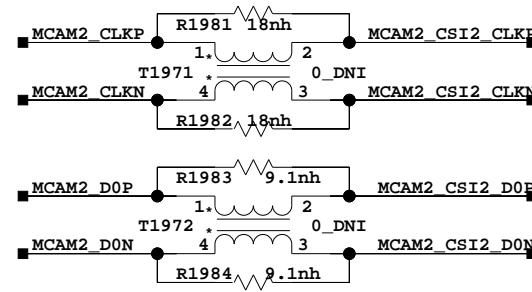
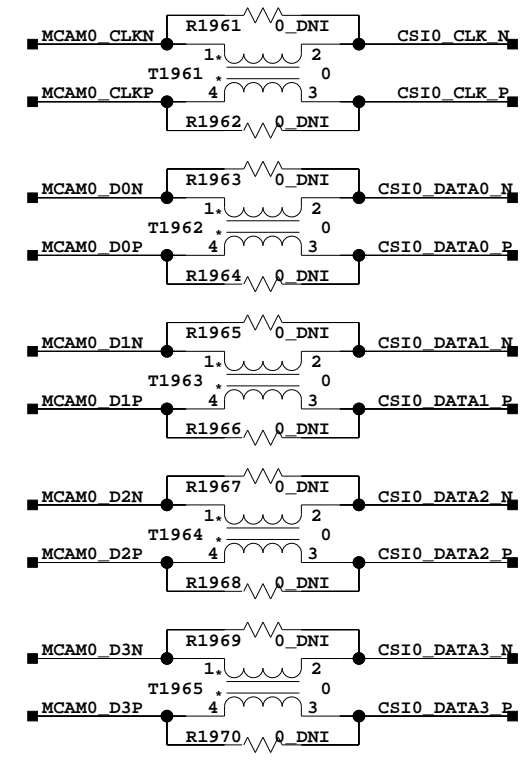
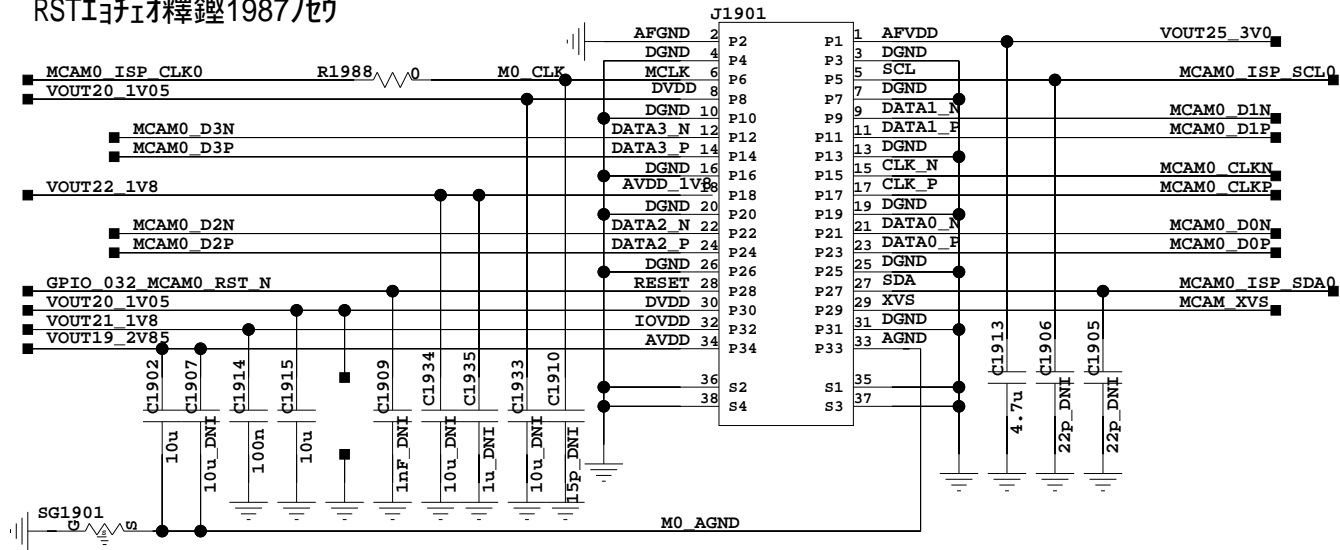
The type and specification of the components refer to the BOM

					23-03-2019_14:28
				ECA NO	DATE
DESIGNED	ZHANGWEI 00267965	NOVA5I		18 Flash/Front Camera	
REVIEWED	HUAWEI				
		VER	PART_NUMBER	SHEET	OF 64
		A		HUAWEI TECH CO.,LTD.	

19. Dual Camera

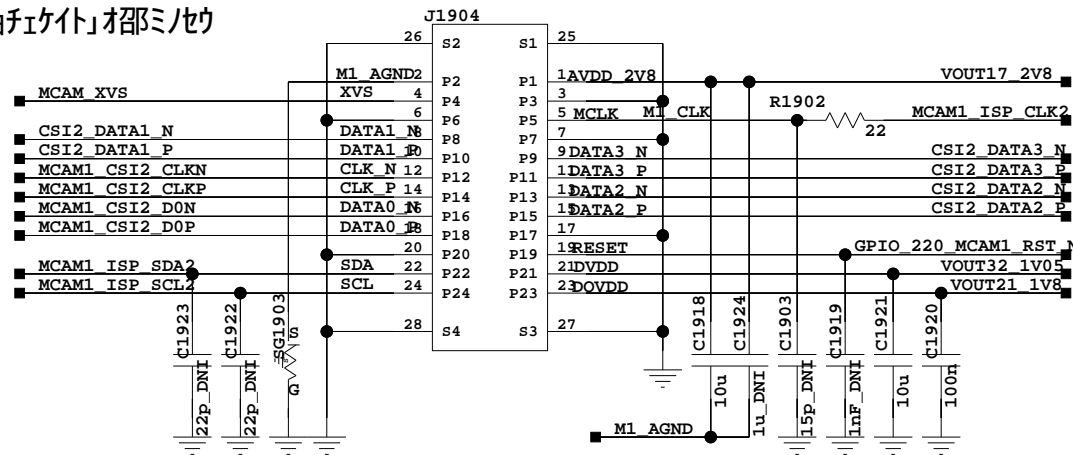
M0 MCLKトウカエヨヲ鏗1988シモサリ
RSTIヨチイオ釋鏗1987ノセウ

M0 Main | 2CIヨチイオ釋鏗1903/4ノセウ

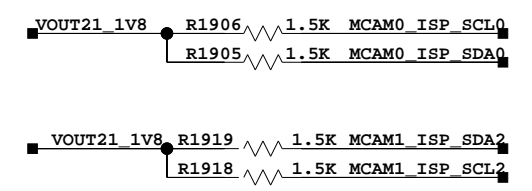
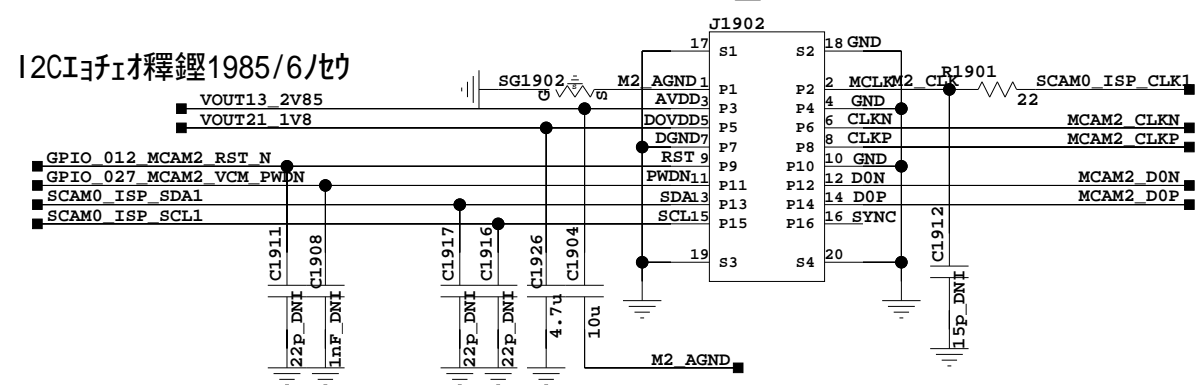


8M MIPIIヨチイオケイトノ部ミシセウ

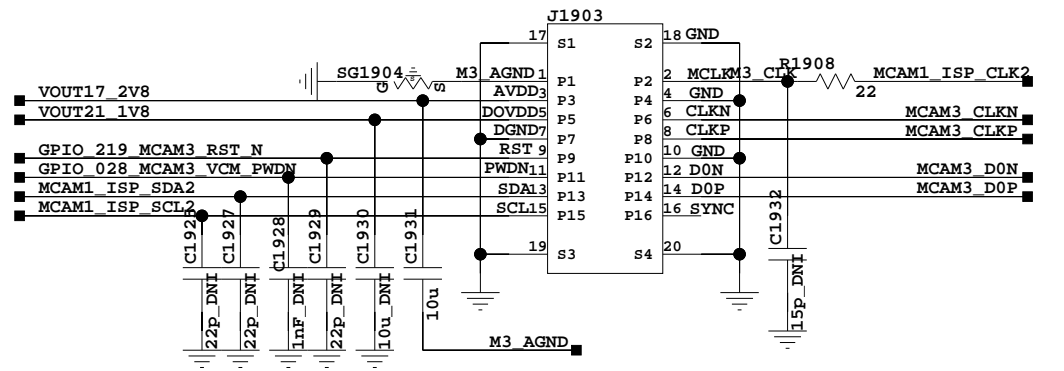
M1 Main



M2 Main_23060310



M3 Main

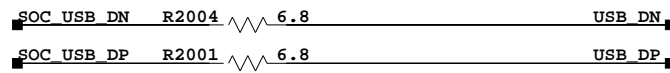


The type and specification of the components refer to the BOM

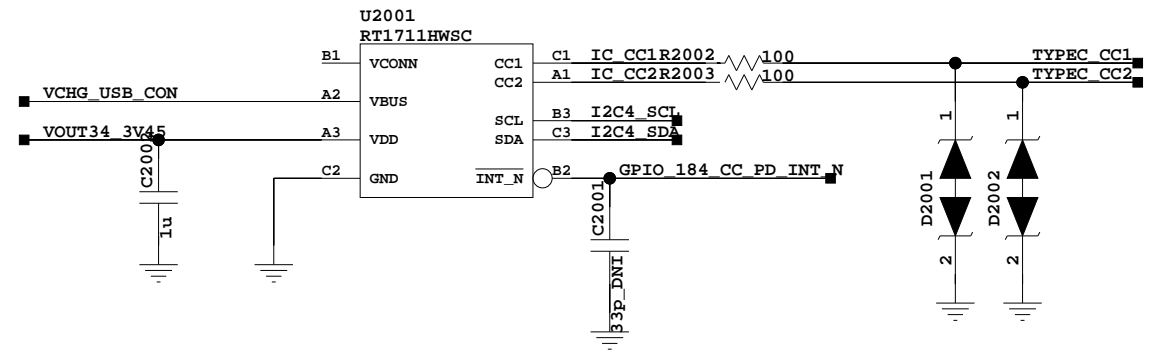
DESIGNED	yutao 00359226	NOVA5I	03023QLB_SCHZH
REVIEWED	shuaijunqing 00381377	NOVA5I	03023QLB_SCHZH
		VER	PART_NUMBER
		C	03023QLB
			SHEET 19 of 1 Camera
			HUAWEI TECH CO.,LTD.

20. USB

USB D+/D-



PD

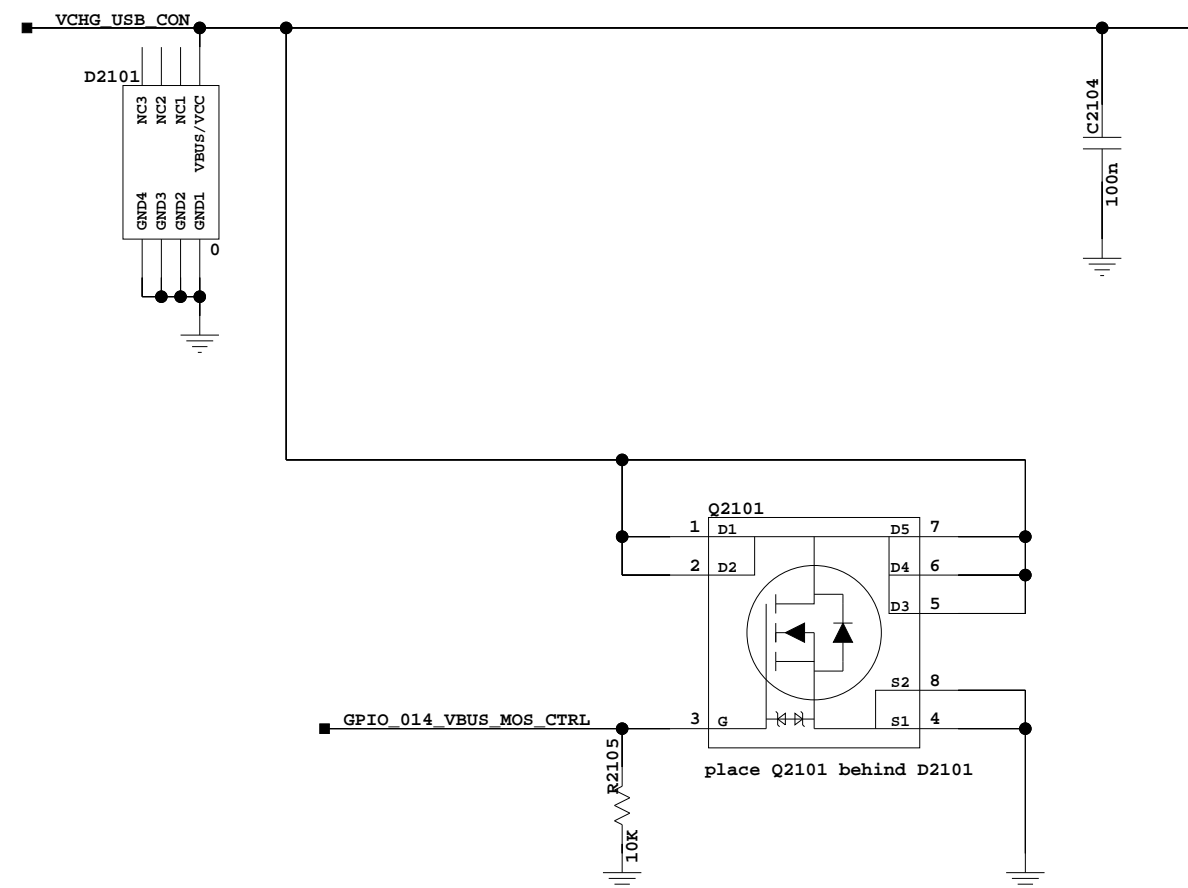
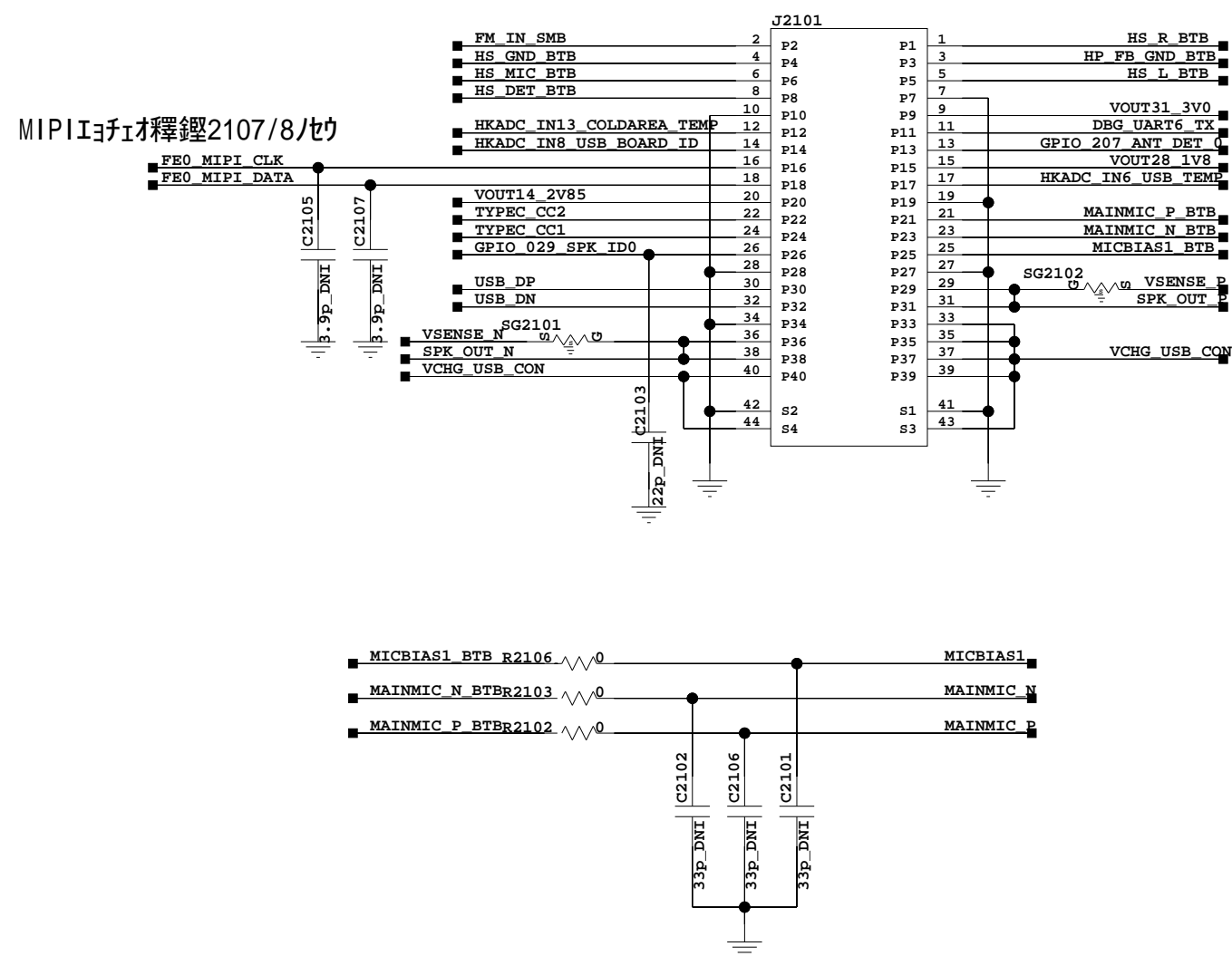


The type and specification of the components refer to the BOM

				ECA NO	DATE
DESIGNED	ZHANGWEI 00267965	NOVA5I		20 USB/PD	
REVIEWED	HUAWEI				
		VER	PART_NUMBER	SHEET	OF 64
				HUAWEI TECH CO.,LTD.	

21. Main FPC

Main BTB



The type and specification of the components refer to the BOM

				ECA NO	DATE
DESIGNED	ZHANGWEI 00267965	NOVA5I		21 Main FPC	
REVIEWED	HUAWEI				
		VER	PART_NUMBER	SHEET	OF 64
		A		HUAWEI TECH CO.,LTD.	

22. TOF

A

A

B

B

C

C

D

D

The type and specification of the components refer to the BOM

				NA	
				ECA NO	DATE
DESIGNED	ZHANGSAN XXXXX	NOVA5I		00001234	
REVIEWED	LISI XXXXX				
		VER	PART_NUMBER	SHEET	22 ACF 64
		A	03030001	HUAWEI TECH CO.,LTD.	

23 Scharger

A

A

B

B

C

C

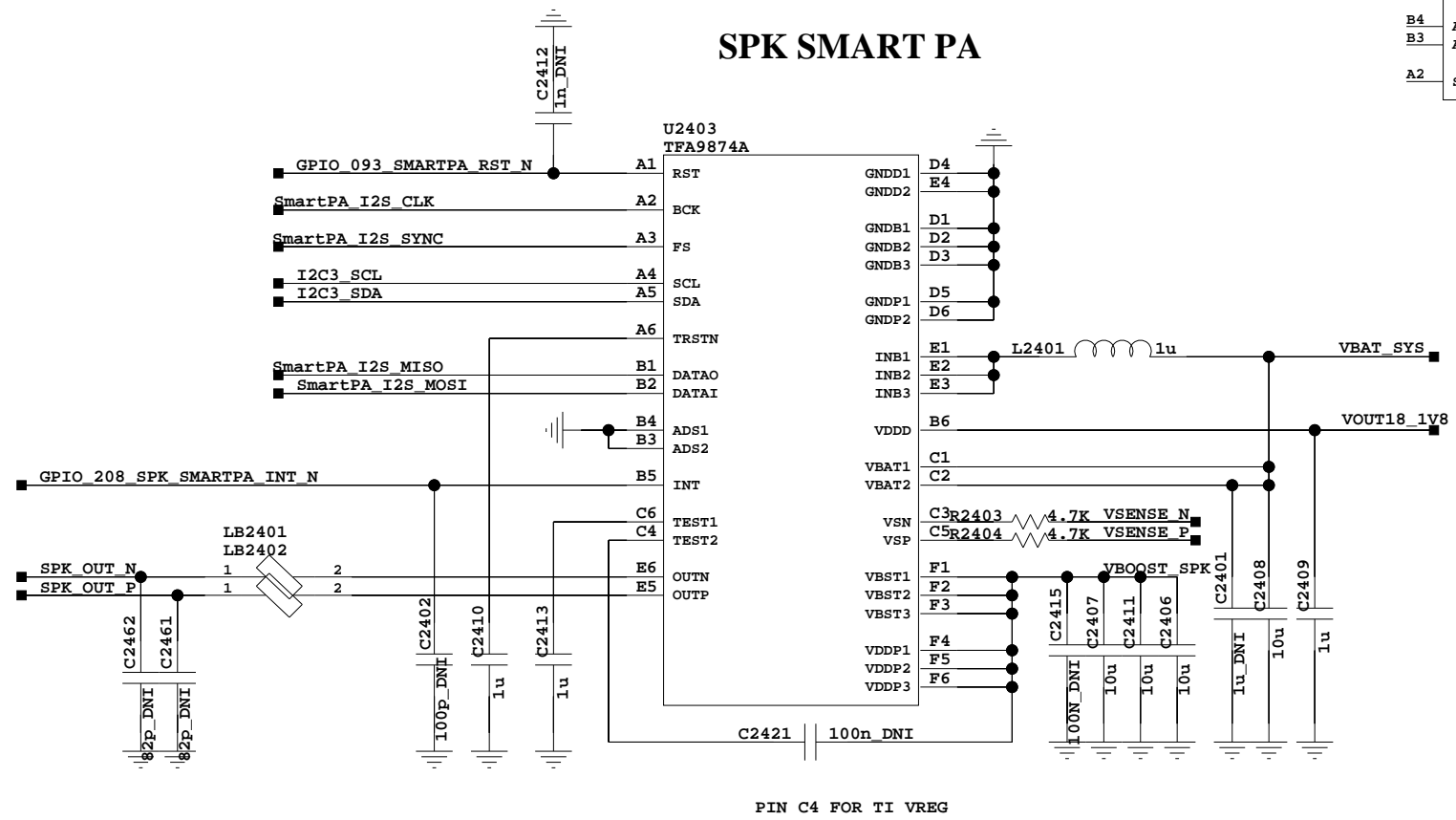
D

D

The type and specification of the components refer to the BOM

				NA	
				ECA NO	DATE
DESIGNED	ZHANGSAN XXXXX	NOVA5I		00001234	
REVIEWED	LISI XXXXX				
		VER	PART_NUMBER	SHEET 22	ACE 64
		A	03030001	HUAWEI TECH CO.,LTD.	

24. SPK SMART PA



PIN C4 FOR TI VREG

U2401				U2402			
B2	SDIN	SDOUT	B1	E1	INB1	TST1	A6
C3	VSNS_N	OUT_N	E6	E2	INB2	TST2	C4
C5	VSNS_P	OUT_P	E5	E3	INB3		
A4	SCL	VBAT1	C1			VBST1	F1
A5	SDA	VBAT2	C2	C1	VBAT1	VBST2	F2
A1	SDZ	VBST1	F1	C2	VBAT2	VBST3	F3
E1	SW1	VBST2	F2			VDDP1	F4
E2	SW2	VBST3	F3			VDDP2	F5
E3	SW3					VDDP3	F6
A6	DREG	VDD	B6	A4	SCL	GNDD	D6
A3	FSYNC	PVDD1	F4	A5	SDA	GNDB1	D1
C6	GPIO	PVDD2	F5	B4	ADS1	GNDB2	D2
C4	GREG	PVDD3	F6	B3	ADS2	GNDB3	D3
B5	IRQZ	GND1	D4			VDDD	B6
B4	AD0	GND2	E4	B5	INT	FILTT	C6
B3	AD1	PGND1	D5	A1	RST	GNDD	D4
B2	AD2	PGND2	D6	A3	FS	VSENSE_N	C3
A2	SBCLK	BGND1	D1	A2	BCK	VSENSE_P	C5
		BGND2	D2	B2	DATAI	OUTN	E6
		BGND3	D3	B1	DATAO	OUTP	E5

Note:

SMART PA : 43110118 NXP TFA9874A_C
 SMART PA : 43110119 CS35L36A
 SMART PA : 43110114 TI TAS2562

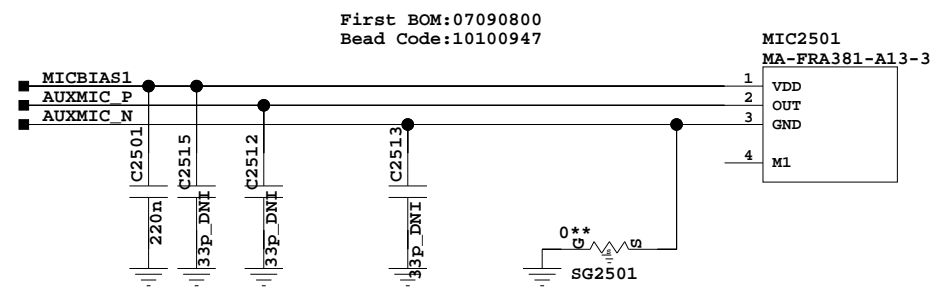
Classdの返シネオ
 ため LB2401 LB2403

The type and specification of the components refer to the BOM

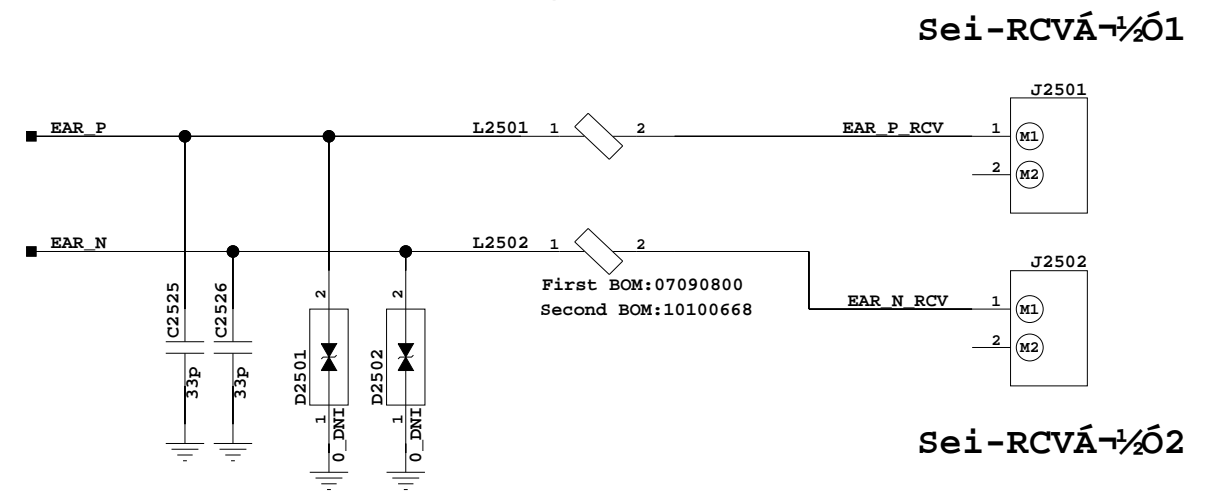
				NA	2018/05/09
				ECA NO	DATE
DESIGNED	XUQIJIA 00278050	HL1PRINCM		03025JNA-SCHZH	
REVIEWED	LIUWENCHEGN 00337443				
		VER	PART_NUMBER	SHEET 24 SMART PA	
		A	03025JNA	HUAWEI TECH CO.,LTD.	

25. MIC/RCV

Second MIC



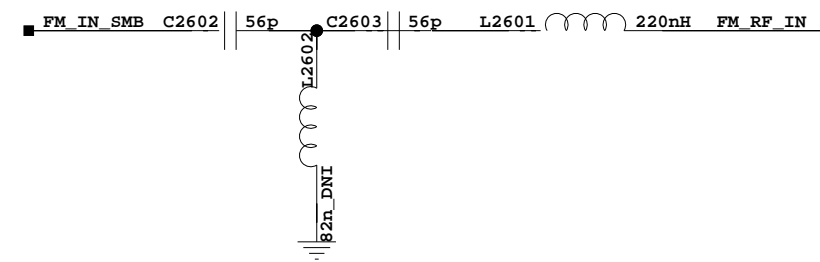
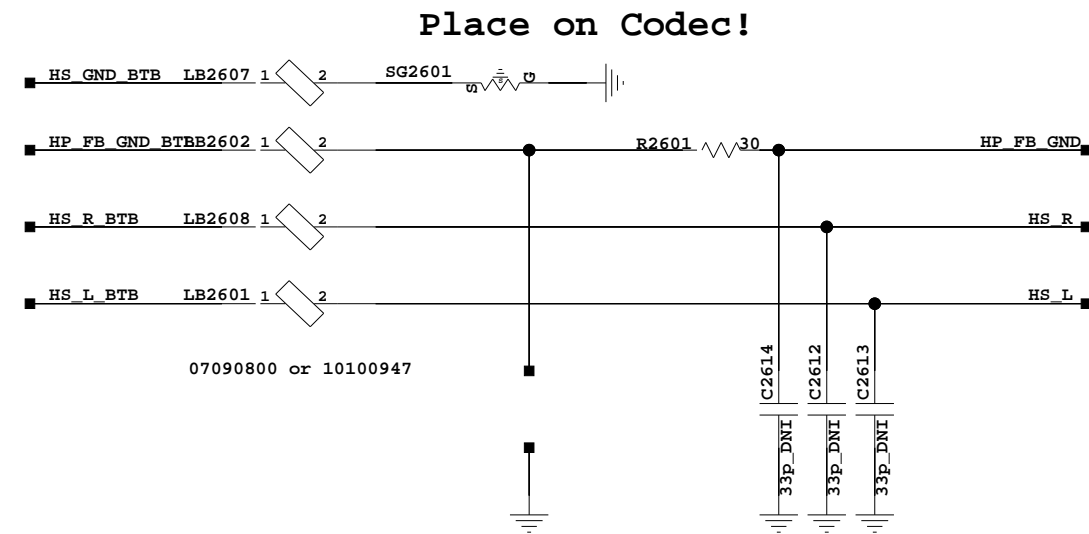
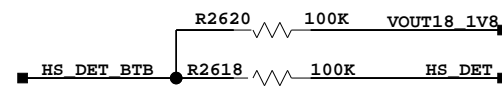
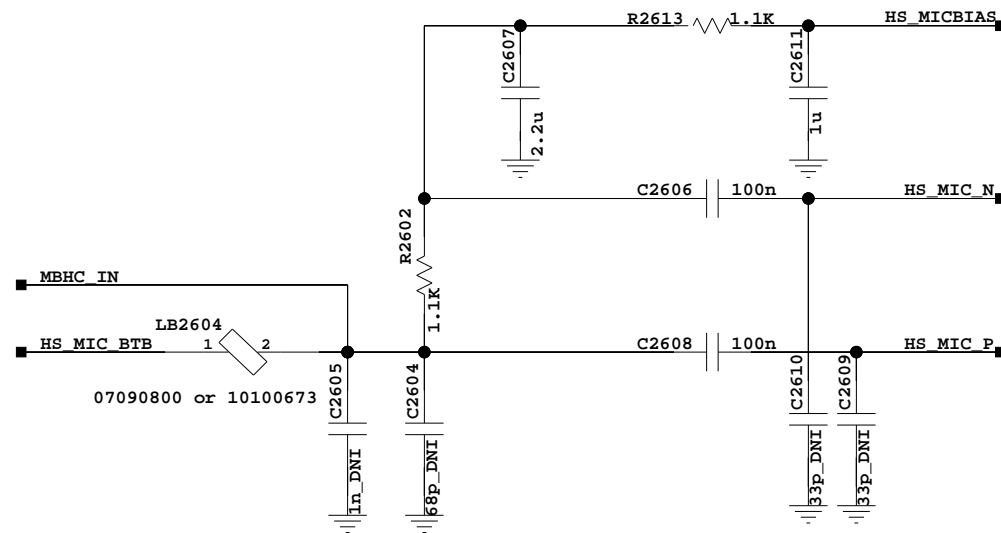
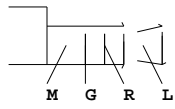
RCV



The type and specification of the components refer to the BOM

				23-03-2019_14:39
			ECA NO	DATE
DESIGNED	ZHANGWEI 00267965	NOVA5I		25 MIC/RCV
REVIEWED	HUAWEI			
		VER	PART_NUMBER	SHEET OF 64
				HUAWEI TECH CO.,LTD.

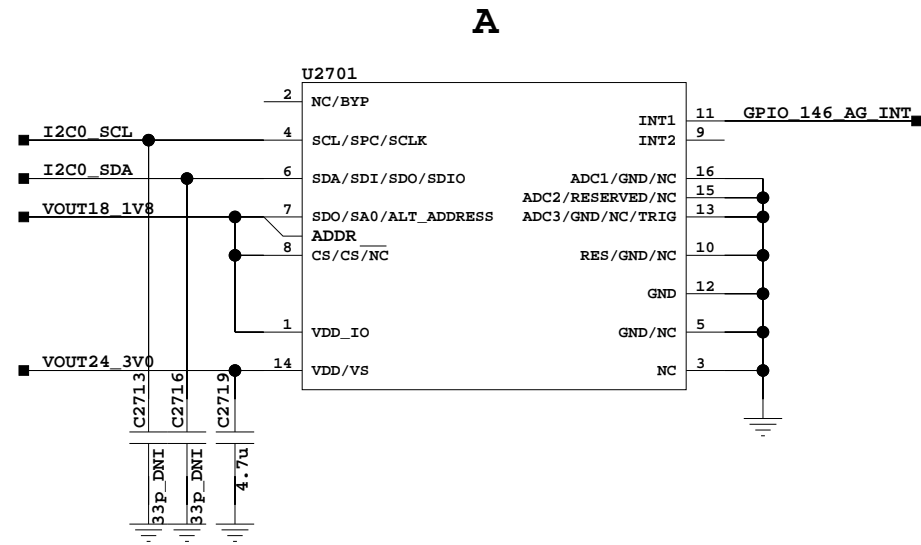
26. Headphone



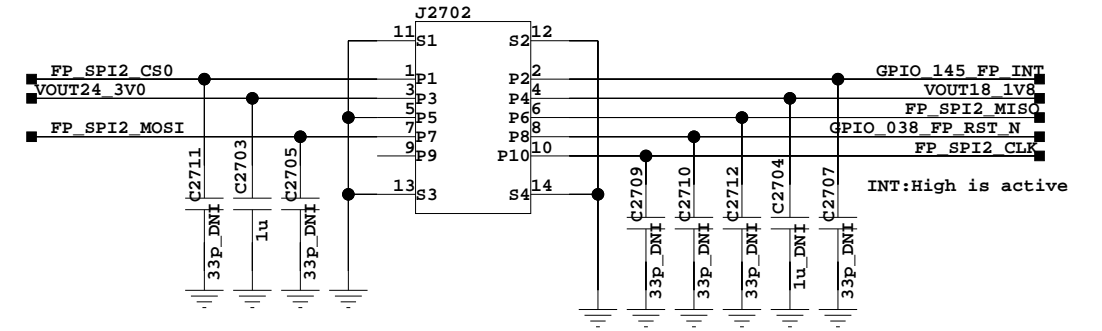
The type and specification of the components refer to the BOM

					19-03-2019_22:00
				ECA NO	DATE
DESIGNED	ZHANGWEI 00267965	NOVA5I		26 Headphone	
REVIEWED	HUAWEI				
		VER	PART_NUMBER	SHEET	OF 64
		A		HUAWEI TECH CO.,LTD.	

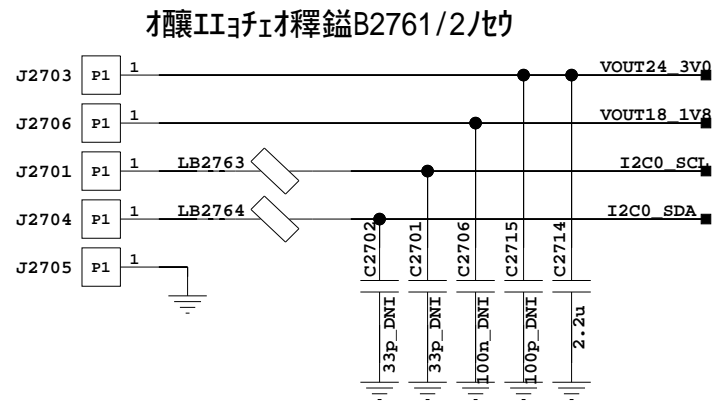
27. X-Sensor



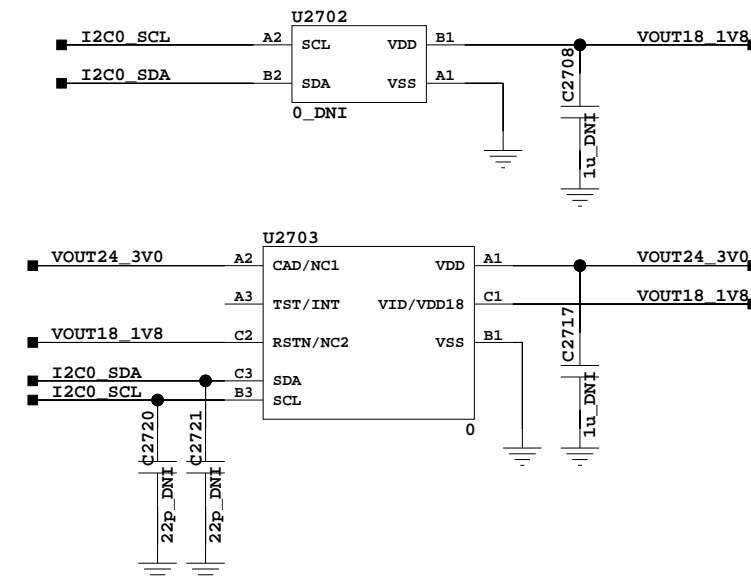
Fingerprint Sensor



PROXIMITY&RGB AMBIENT Sensor



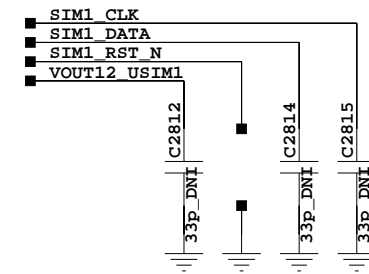
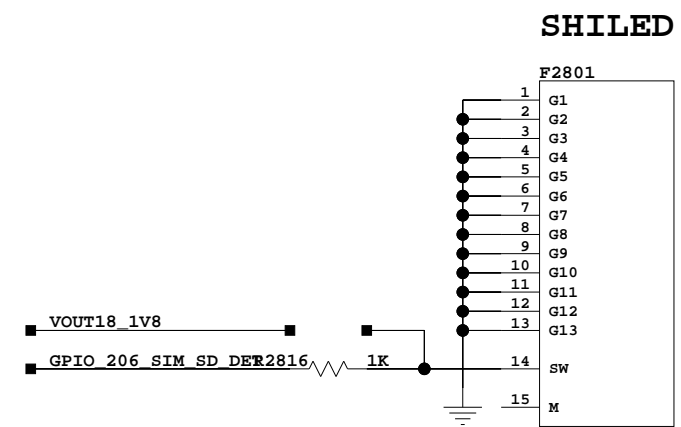
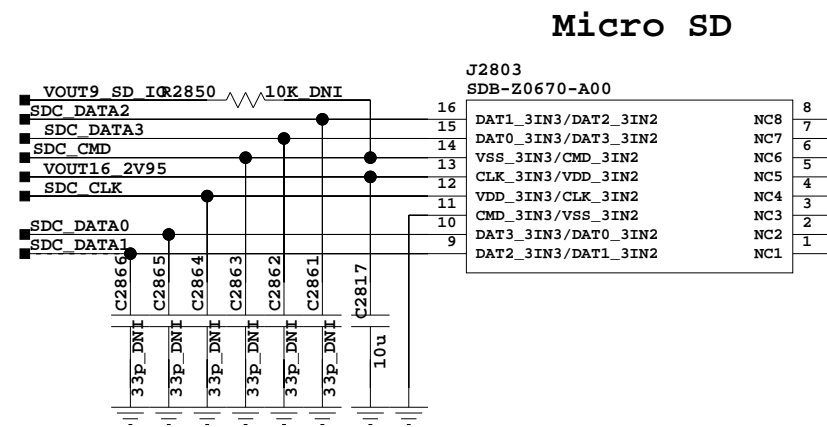
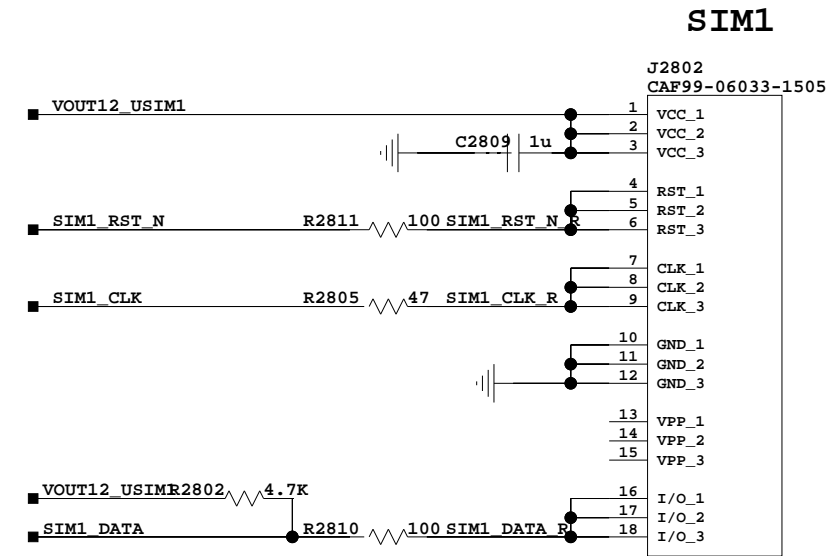
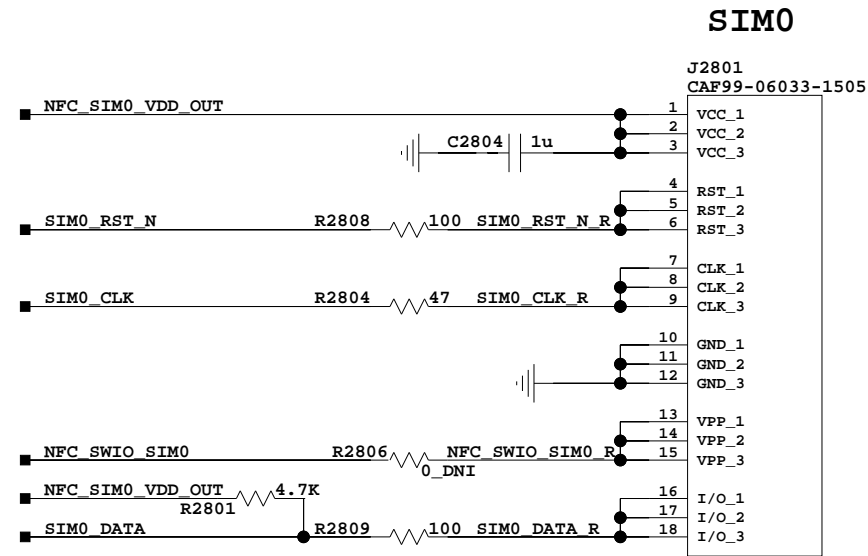
Compass



The type and specification of the components refer to the BOM

				22-03-2019_12:28
			ECA NO	DATE
DESIGNED	ZHANGWEI 00267965	NOVA5I		27 X-Sensor
REVIEWED	HUAWEI			
		VER	PART_NUMBER	SHEET OF 64
		A		HUAWEI TECH CO.,LTD.

28.SIM/uSD Card



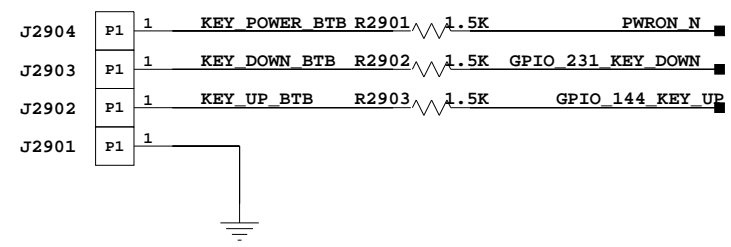
The type and specification of the components refer to the BOM

					23-03-2019_15:02
				ECA NO	DATE
DESIGNED	ZHANGWEI 00267965	NOVA5I		28 SIM/uSD Card	
REVIEWED	HUAWEI				
		VER	PART_NUMBER	SHEET	OF 64
		A		HUAWEI TECH CO.,LTD.	

29. LED/Key

KEY BTB

RGB LED

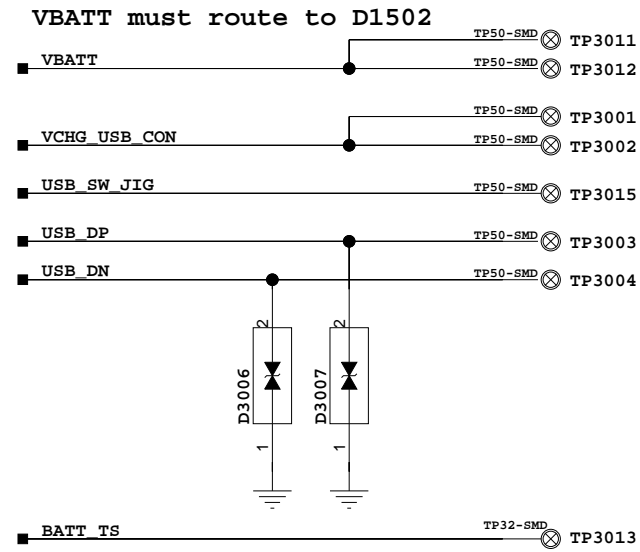


The type and specification of the components refer to the BOM

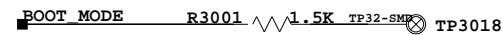
					21-03-2019_23:47
				ECA NO	DATE
DESIGNED	ZHANGWEI 00267965	NOVA5I		29 LED/Key	
REVIEWED	HUAWEI				
		VER	PART_NUMBER	SHEET	OF 64
				HUAWEI TECH CO.,LTD.	

30. Test Points/Shields

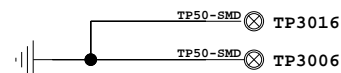
CBT/PT



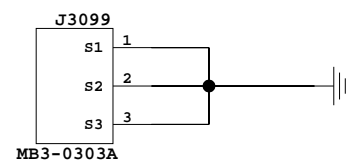
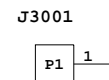
BOOT MODE



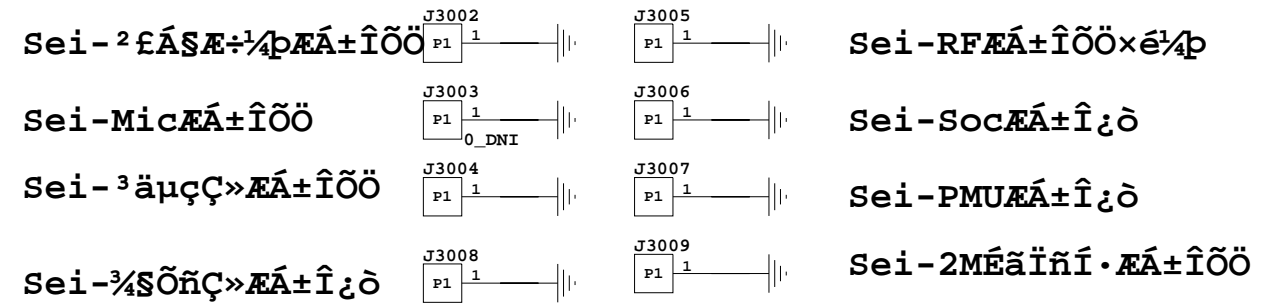
GND



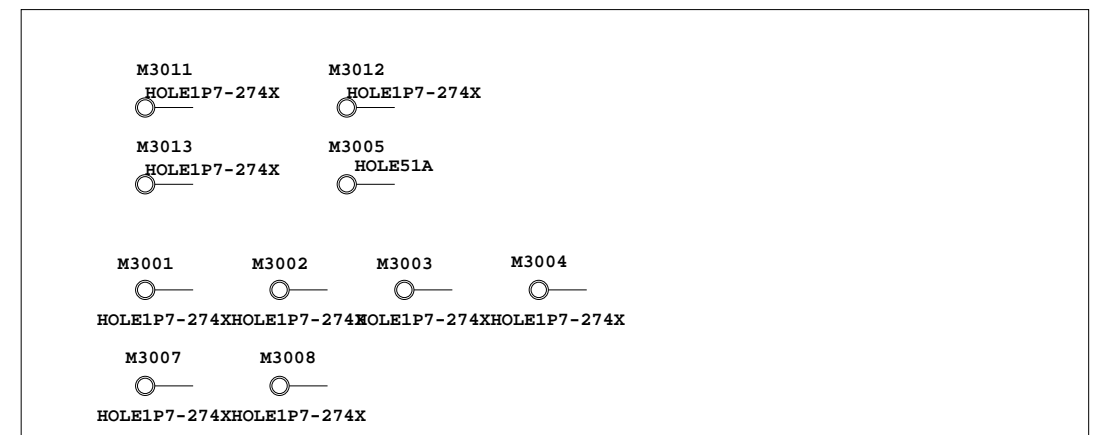
× a í ä ² 1 Ç ð



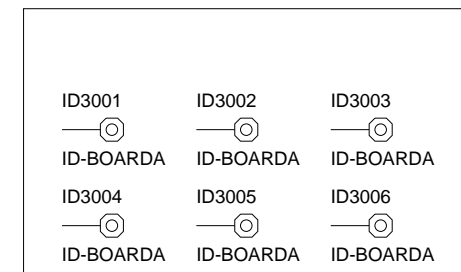
Shielding



HOLE



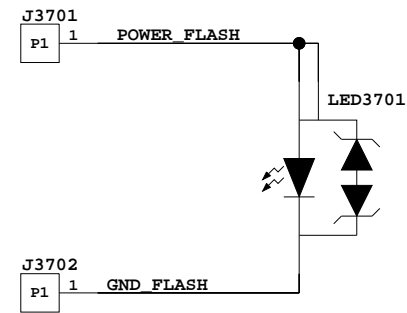
MARK POINT



The type and specification of the components refer to the BOM

					23-03-2019_14:57
				ECA NO	DATE
DESIGNED	ZHANGWEI 00267965	NOVA5I		30 Test Points/Shields	
REVIEWED	HUAWEI				
		VER	PART_NUMBER	SHEET	OF 64
				HUAWEI TECH CO.,LTD.	

37. SBU_Flash

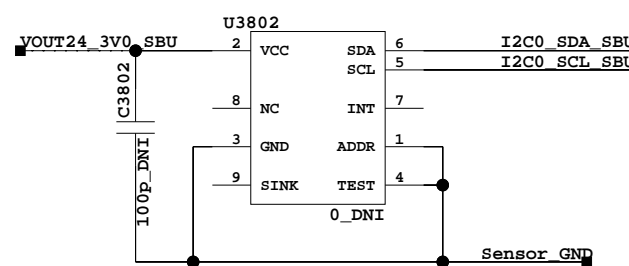
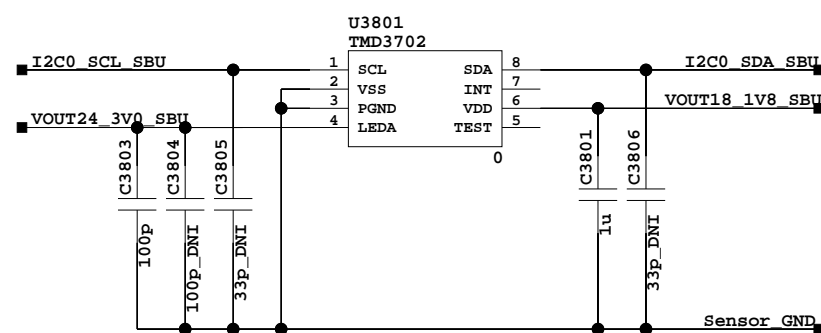


The type and specification of the components refer to the BOM

				NA	2017/08/10
				ECA NO	DATE
DESIGNED	ZHANGWEI 00267965	NOVA5I			
REVIEWED	WANGTICHANG				
		VER	PART_NUMBER	SHEET 68 NEF_BB64	
		A		HUAWEI TECH CO.,LTD.	

38. SBU_Sensor

Proximity Sensor



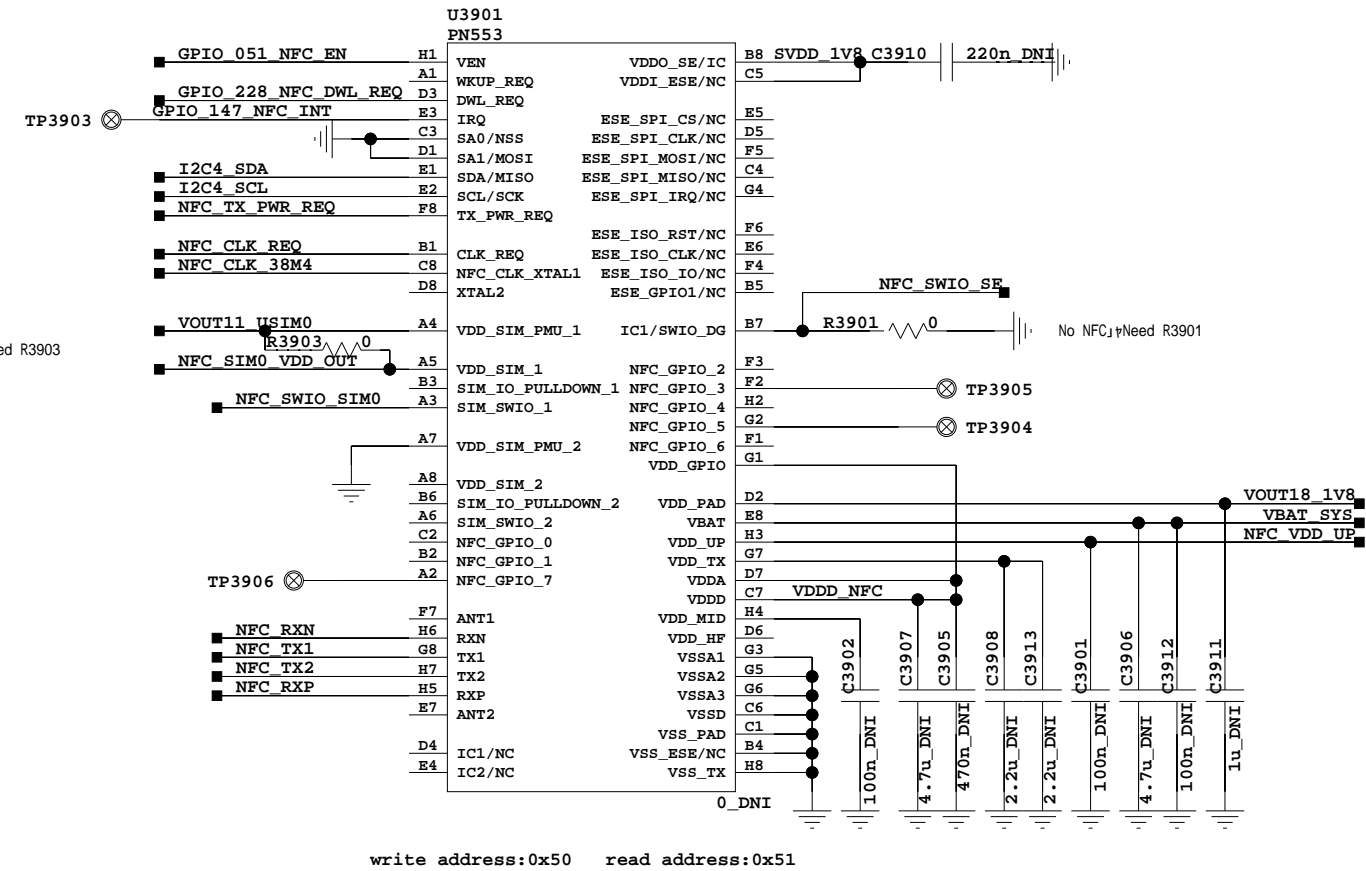
I2C接口释铿3801/2的

⊗ TP3805	VOUT18_1V8_SBU
⊗ TP3804	VOUT24_3V0_SBU
⊗ TP3803	R3801 0
⊗ TP3802	R3802 0
⊗ TP3801	Sensor_GND

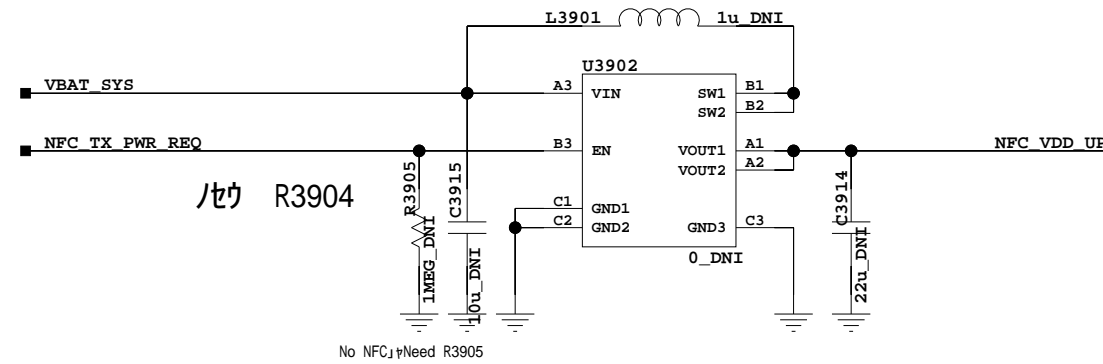
The type and specification of the components refer to the BOM

				NA	2017/08/10
				ECA NO	DATE
DESIGNED	ZHANGWEI 00267965	NOVA5I			
REVIEWED	WANGTICHANG				
		VER	PART_NUMBER	SHEET 68 NEF_BB64	
		A		HUAWEI TECH CO.,LTD.	

39. NFC_BB



write address:0x50 read address:0x51



No NFC1 Need R3905

Classdの既シネオ
 ための R3902 D3901 R3906

The type and specification of the components refer to the BOM

				NA	2017/08/10
				ECA NO	DATE
DESIGNED	ZHANGWEI 00267965	NOVA5I			
REVIEWED	WANGTICHANG				
		VER	PART_NUMBER	SHEET 68 NFC_BB64	
		A		HUAWAI TECH CO.,LTD.	

41.RF Interface

RFIC IQ

CH0 RXA I
 CH0 RXA O
 CH1 RXA I
 CH1 RXA O

CH0 RXB I
 CH0 RXB O
 CH1 RXB I
 CH1 RXB O

CH0 TX I P
 CH0 TX I N
 CH0 TX O P
 CH0 TX O N

CH0 MRX I
 CH0 MRX O

POWER

VBAT SYS

VBATT
 VOUT2 1V8
 VOUT3 1V8
 VOUT1 1V09
 VREF RF

VOUT14 2V85
 VOUT28 1V8

VOUT27 1V8

VOUT23 3V2

NC Interface

VOUT18 1V8

BTFM I2S2 CLK
 BTFM I2S2 MOSI
 BTFM I2S2 MISO
 BTFM I2S2 SYNC

GPIO 229 BFGN WAKEUP AP
 HI1102 UART4 RTS N
 HI1102 UART4 CTS N
 HI1102 UART4 TX
 HI1102 UART4 RX
 CDMA GPS_SYNC

LTE INACTIVE

AP GPS_REF_CLK
 LTE_TX_ACTIVE
 GPIO_030_HI1102_PWRON
 CLK32_BFGN
 GPIO_211_WIFI_WAKEUP_AP
 FM_RF_IN

WL_SDIO_CLK
 WL_SDIO_CMD
 WL_SDIO_DATA0
 WL_SDIO_DATA1
 WL_SDIO_DATA2
 WL_SDIO_DATA3

ANT

ANT_DRX

GPIO Interface

RF_GPIO04_APT_EN APT
 RF_GPIO05_CHO_APT_PDM
 RF_GPIO06_APT_BP

RF_GPIO07_DPDT DPDT

ANT_DETECT

SOC1 器件 1.5K 材料 釋 障 ESD 材料

CLK

RF0_CLK_38M4

HKADC

HKADC_IN4_PA_TEMP_1

MIPI Interface

RFIC0_MIPI_CLK
 RFIC0_MIPI_DATA

FE0_MIPI_CLK
 FE0_MIPI_DATA

FEL_MIPI_CLK
 FEL_MIPI_DATA

GSM

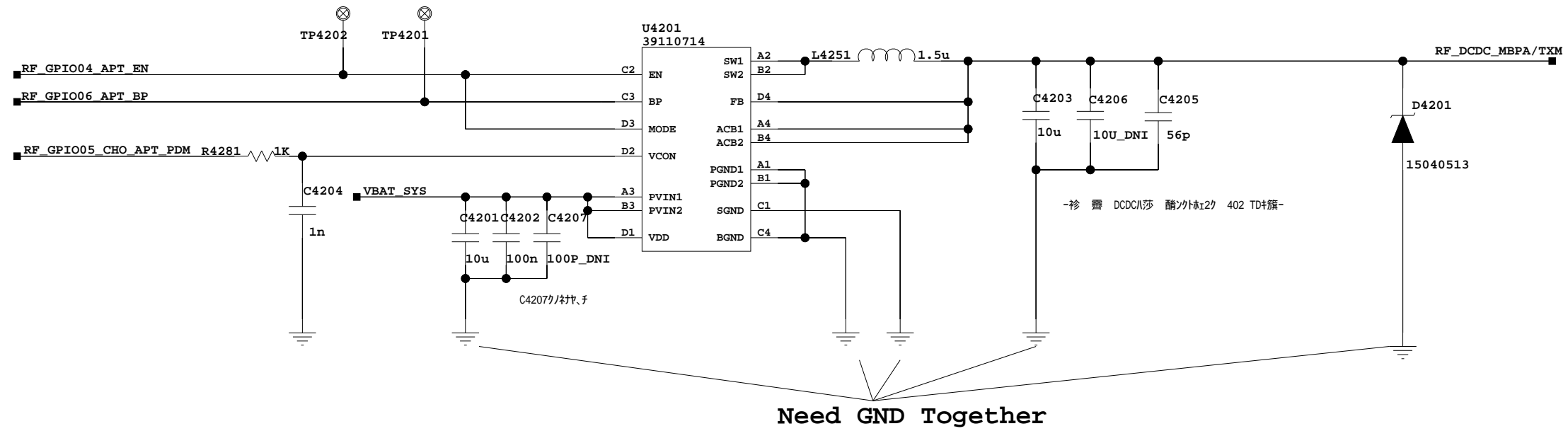
RF_AUXDAC0

GMSK_PH0

The type and specification of the components refer to the BOM

					18-02-2019_14:48
					20140523
				ECA NO	DATE
DESIGNED	gumingpeng 00358948	HL1POTTM		03024GXE_SCHZH	
REVIEWED	xujianguo 00312186				
		VER	PART_NUMBER	SHEET 31 of 60	
			03024GXE	HUAWEI TECH CO.,LTD.	

42.RF_PMU



1. DCDCのコンデンサはPAキタサ、ケルサツオコンキオトラ魁ノイソキヨ
2. イスマ ハアマネセユケ ホネムケケワD3200「ヤルミヌミヘラ」マケ AコハTXMケケオ
3. イスマ ハアソツヌマソソ忻ヤDCDCケ SMケケオ醋ア「ヤミ睡」ヨ、ヘイチ 入3A

The type and specification of the components refer to the BOM

				NA	2017/01/01
				ECA NO	DATE
DESIGNED	gumingpeng 00358948	HL1POTTM		03024GXE_SCHZH	
REVIEWED	xujianguo 00312186	VER	PART_NUMBER	SHEET 32 ADF0 60	
		A	03024GXE	HUAWEI TECH CO.,LTD.	

43.RF_PMU_Reserved

A

A

B

B

C

C

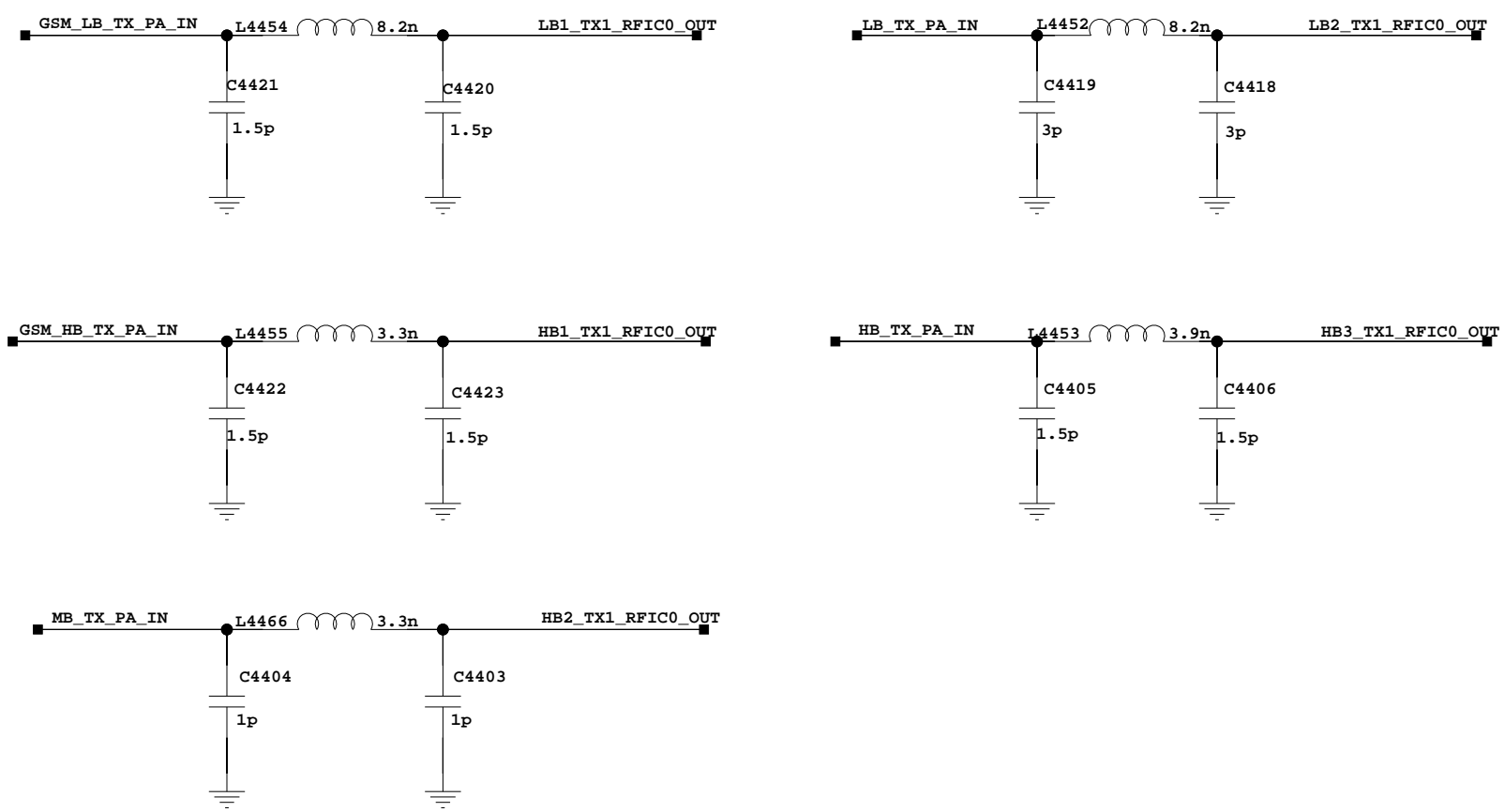
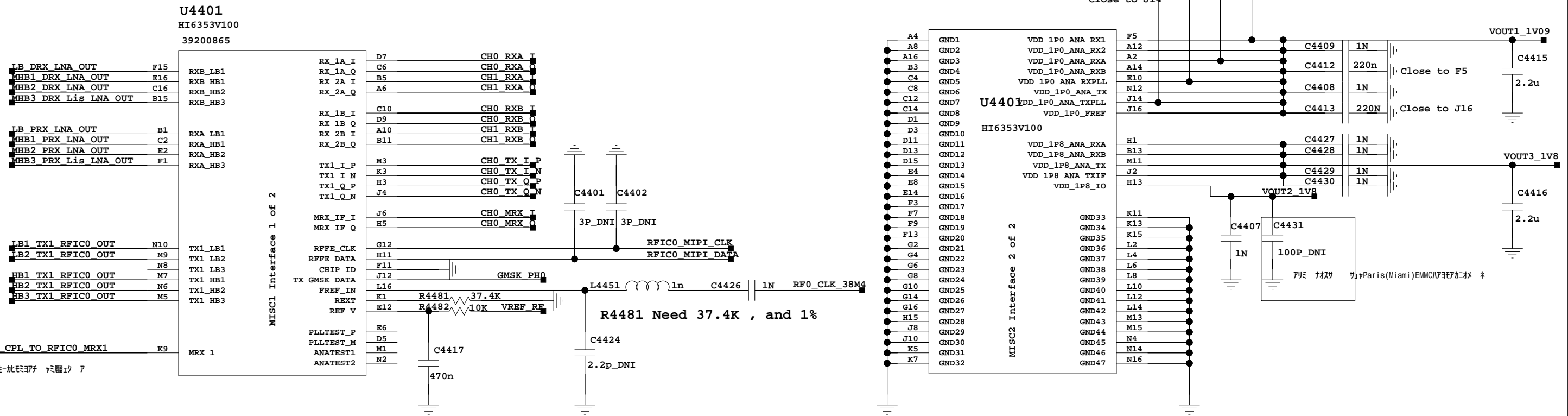
D

D

The type and specification of the components refer to the BOM

				NA	2017/01/01
				ECA NO	DATE
DESIGNED	gumingpeng 00358948	HL1POTTM		03024GXE_SCHZH	
REVIEWED	xujianguo 00312186				
		VER	PART_NUMBER	SHEET 43 TRF HB60_Reserved	
		A	03024GXE	HUAWEI TECH CO.,LTD.	

44.RFIC0_Hi6353

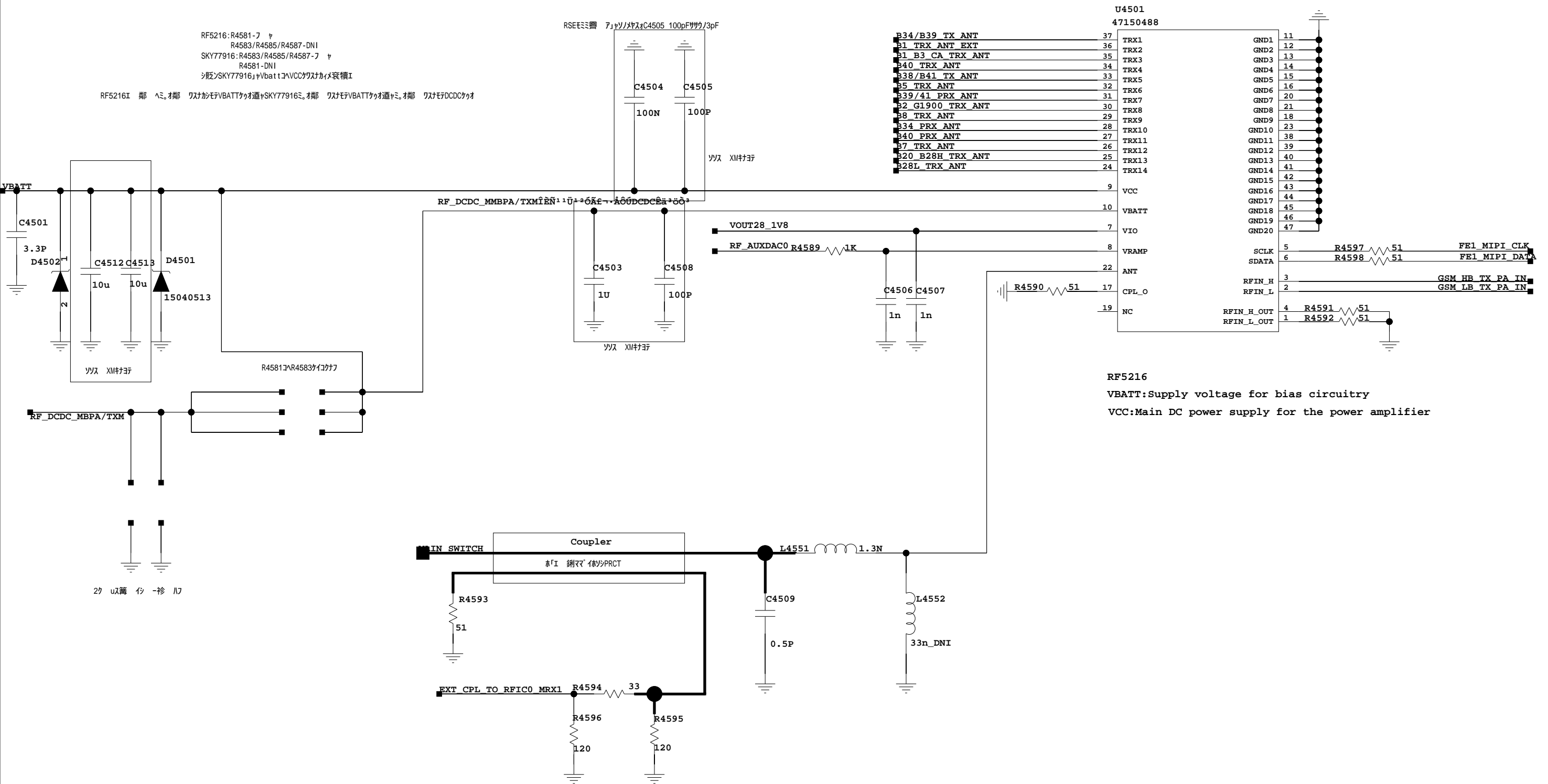


The type and specification of the components refer to the BOM

DESIGNED	gumingpeng 00358948	HL1POTTM	03024GXE_SCHZH
REVIEWED	xujianguo 00312186	VER	PART_NUMBER
		A	03024GXE
			SHEET 33 RFIC0_6053
			HUAWEI TECH CO.,LTD.

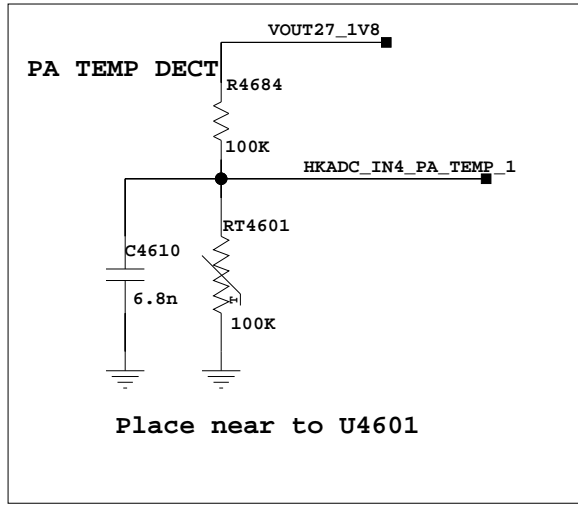
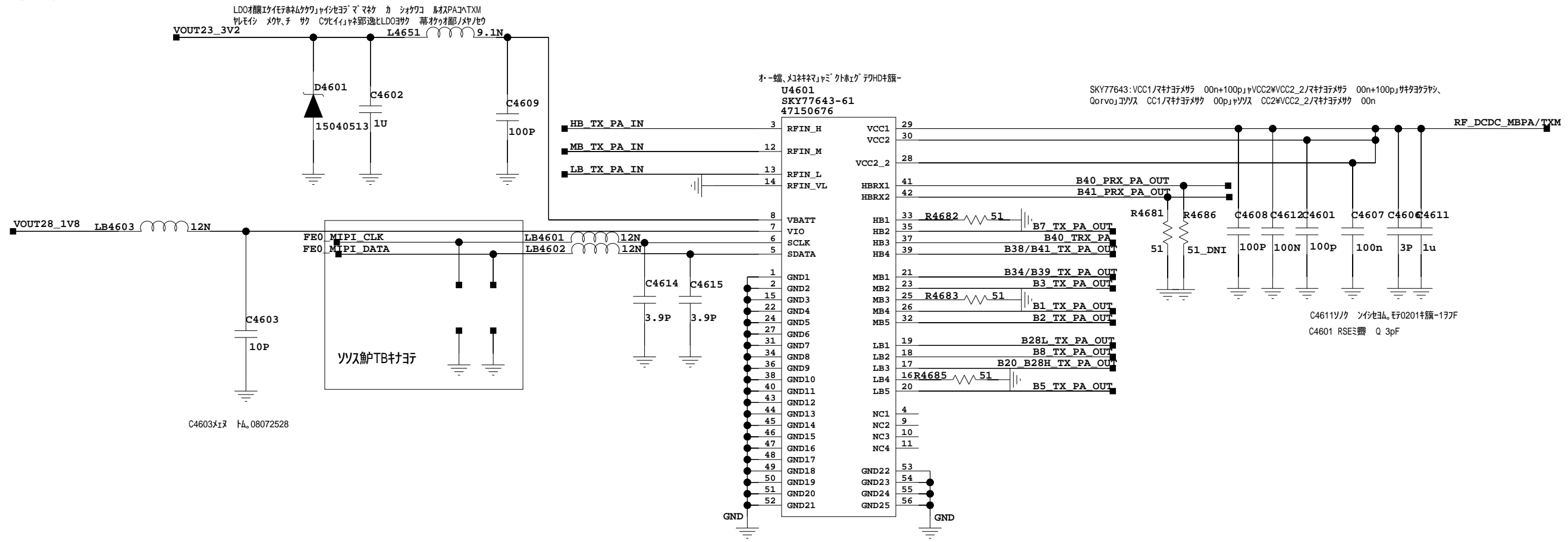
RFIC_TX_OUTPUT_MATCHING

45. TXM



RF5216
 VBATT: Supply voltage for bias circuitry
 VCC: Main DC power supply for the power amplifier

46.MMBPA

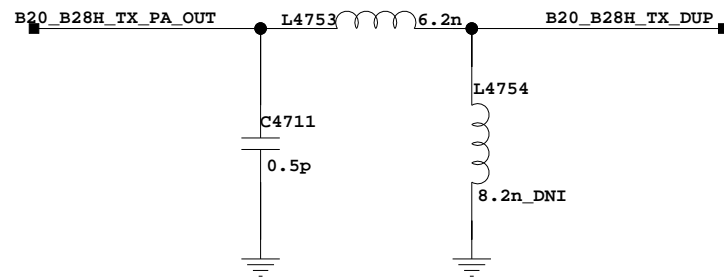
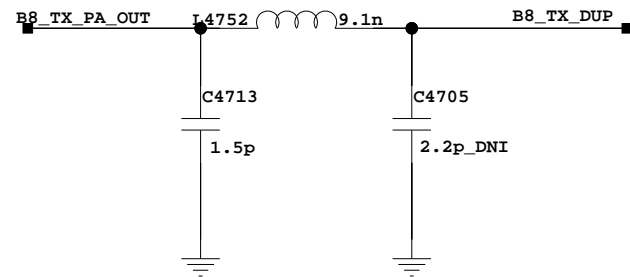
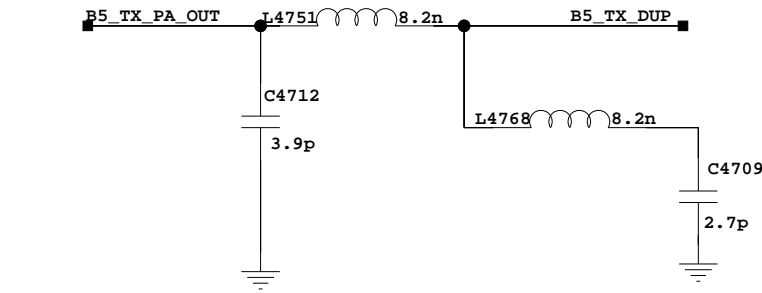


The type and specification of the components refer to the BOM

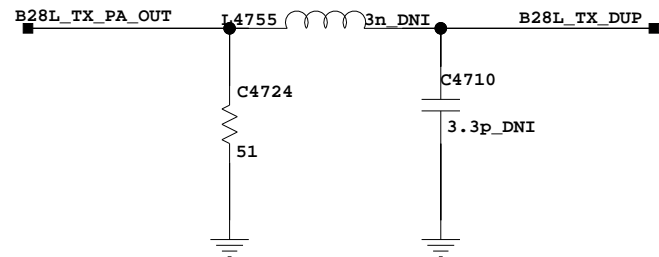
					2016-05-30
				ECA NO	DATE
DESIGNED	gumingpeng 00358948			HL1POTTM	03024GXE_SCHZH
REVIEWED	xujianguo 00312186			VER	PART_NUMBER
				SHEET	36 MMBPA 60
				A	03024GXE
					HUAWEI TECH CO.,LTD.

47. TX_Loadpull

LB_match

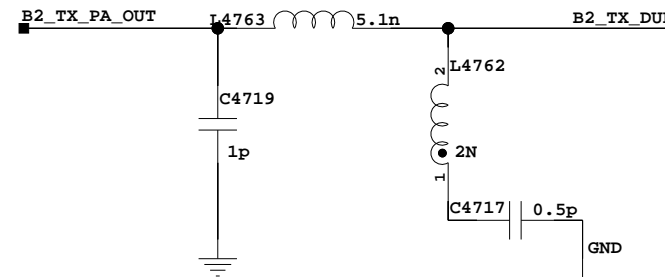
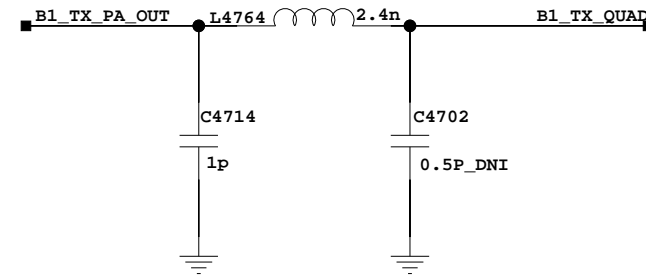


※ ケーパは7C47111の外番は5177

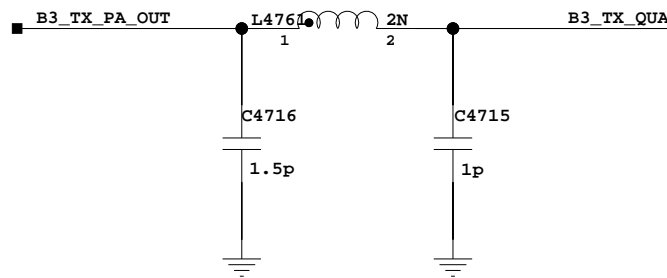


※ ケーパは7C4724の外番は5177

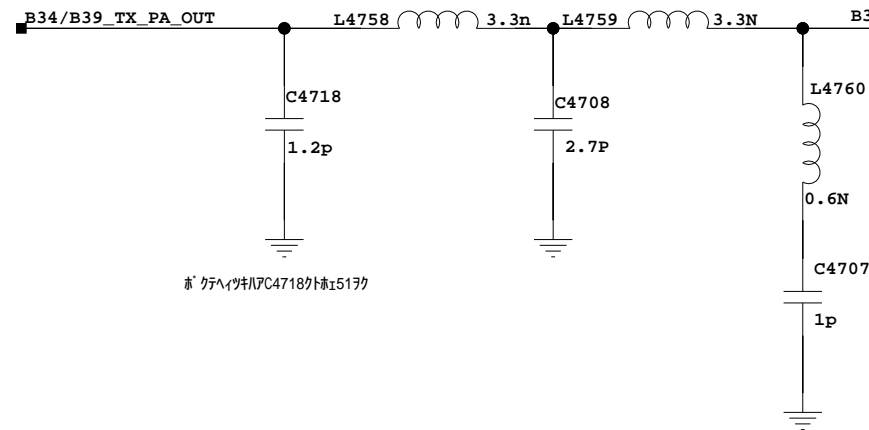
MB_match



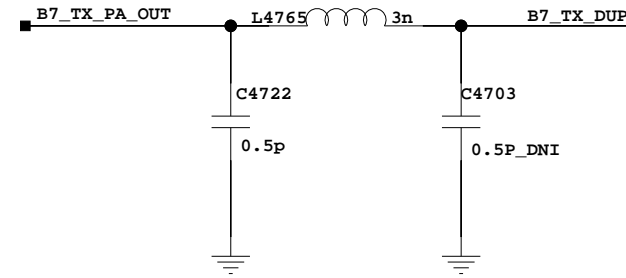
※ ケーパは7C4719の外番は5177



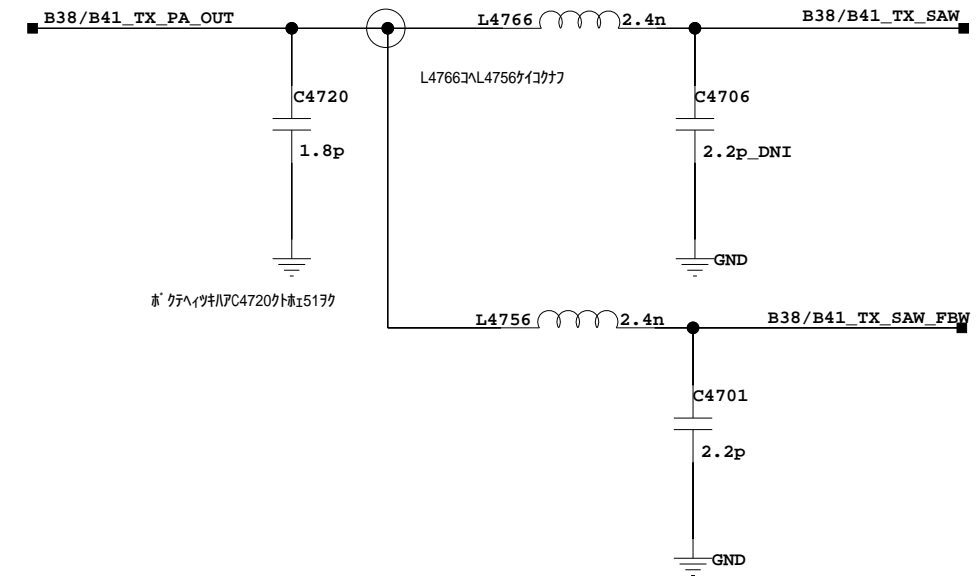
※ ケーパは7C4718の外番は5177



HB_match

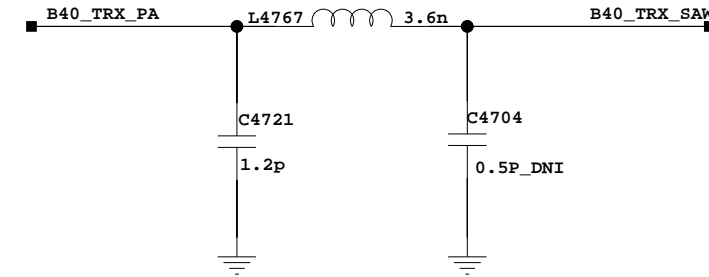


※ ケーパは7C4722の外番は5177



※ ケーパは7C4720の外番は5177

※ ケーパは7C4721の外番は5177



The type and specification of the components refer to the BOM

				NA	2015-12-26
				ECA NO	DATE
DESIGNED	gumingpeng 00358948			03024GXE_SCHZH	
REVIEWED	xujianguo 00312186			03024GXE_SCHZH	
		HL1POTTM		SHEET 37 TX_Loadpull	
		VER	PART_NUMBER	A 03024GXE	
				HUAWEI TECH CO.,LTD.	

48.PA3

A

A

B

B

C

C

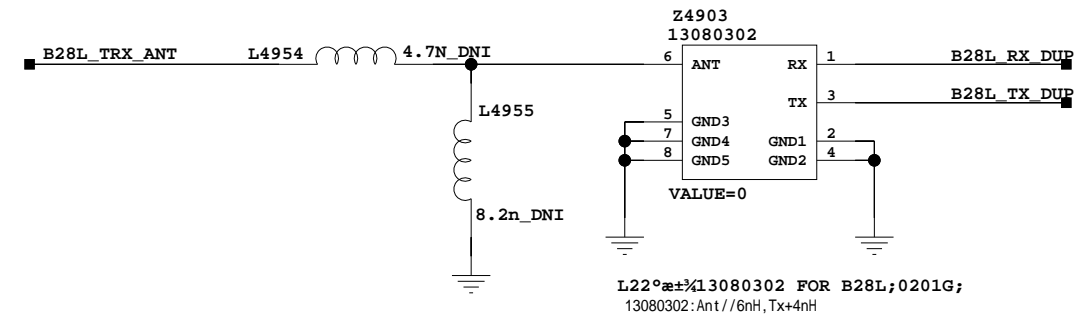
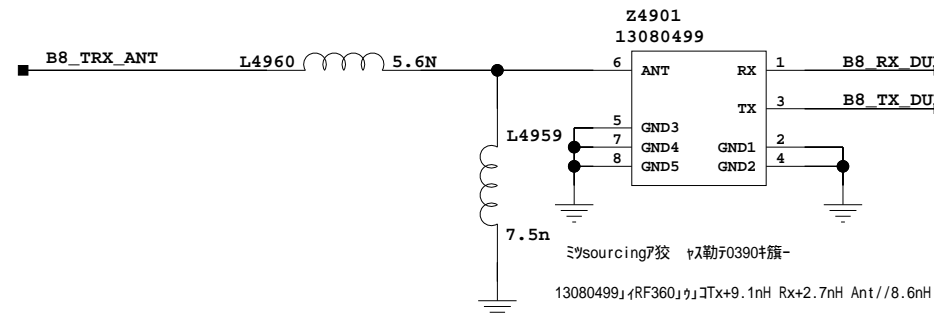
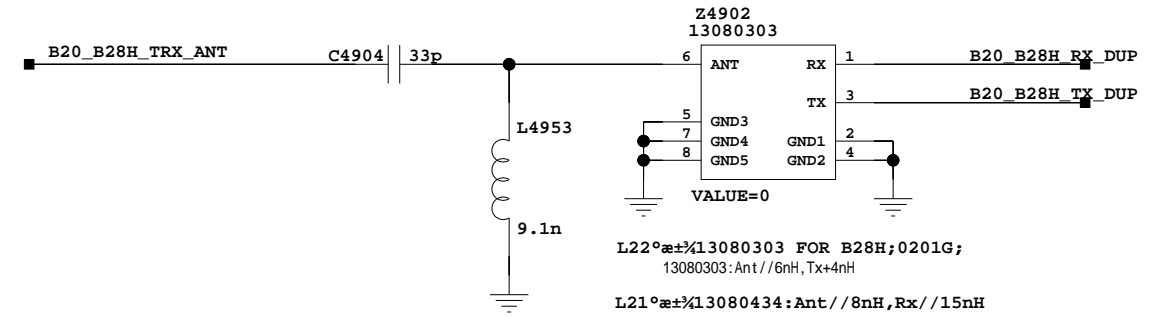
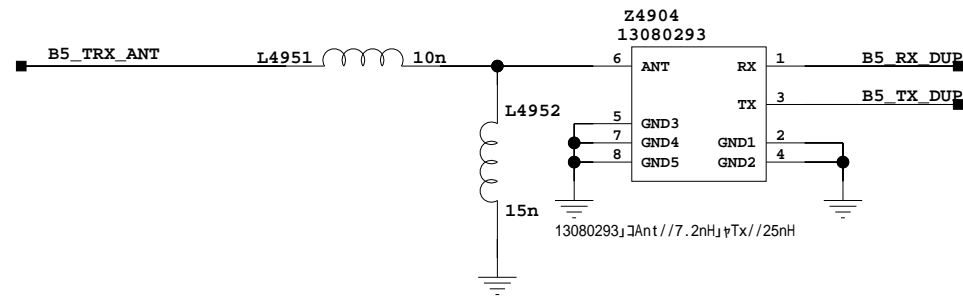
D

D

The type and specification of the components refer to the BOM

					20160108
				ECA NO	DATE
DESIGNED	ZHANGCHAO 00361235	HL1POTTM		03023RPL_SCHZH	
REVIEWED	SHUYINGFEI 00186183				
		VER	PART_NUMBER	SHEET 48 DRF HB60	
		A	03023RPL	HUAWEI TECH CO.,LTD.	

49. TRX_LB_1



The type and specification of the components refer to the BOM

				NA	
				ECA NO	DATE
DESIGNED	gumingpeng 00358948	HL1POTTM		03024GXE_SCHZH	
REVIEWED	xujianguo 00312186	VER	PART_NUMBER	SHEET 38 TRX_LB6	
		A	03024GXE	HUAWEI TECH CO.,LTD.	

50.TRX_LB_2_Reserved

A

A

B

B

C

C

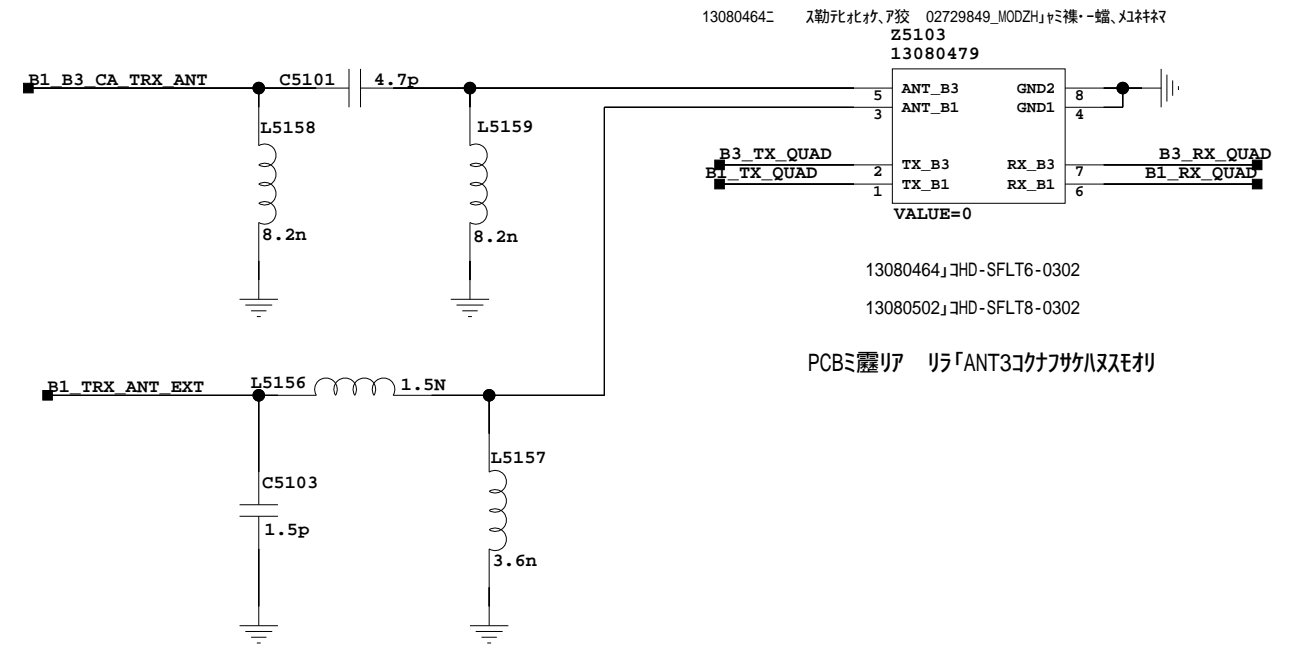
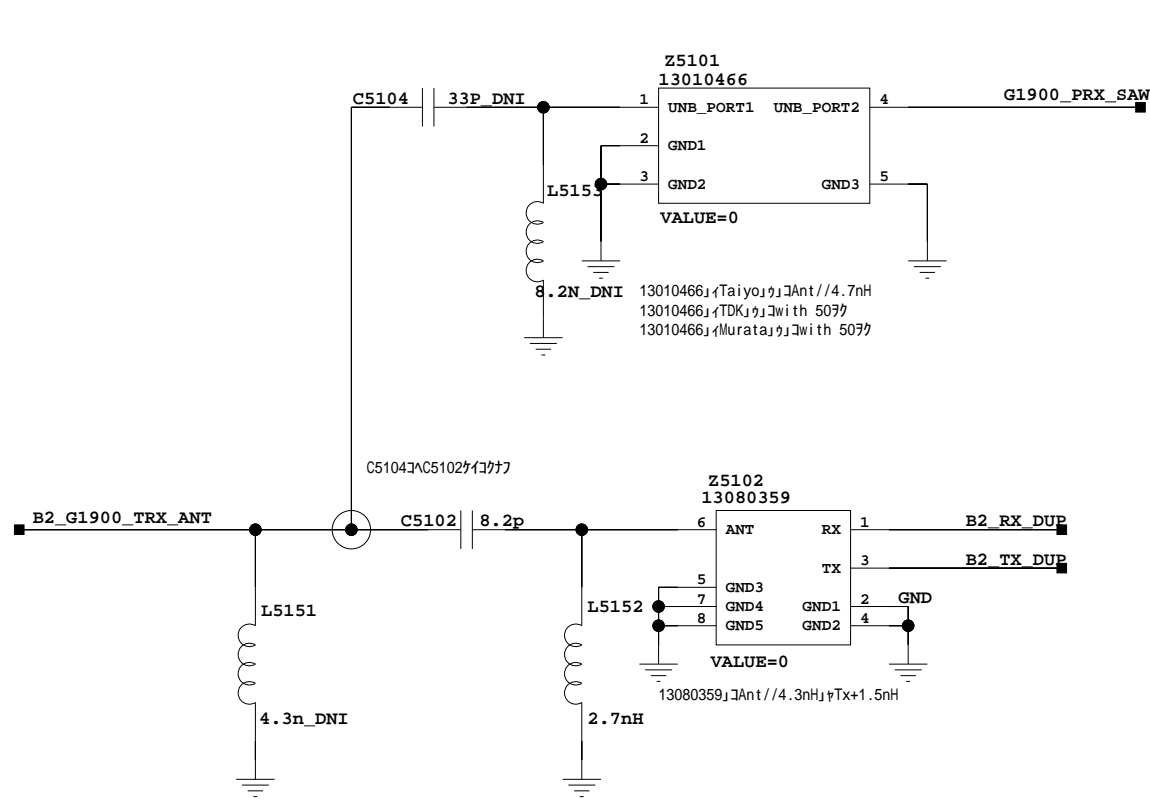
D

D

The type and specification of the components refer to the BOM

				TBD For	2014-02-27
				ECA NO	DATE
DESIGNED	yuanhailin/00265042	HL1POTTM			
REVIEWED	yangjiangtao/00141174				
		VER	PART_NUMBER	SHEET 50 Reserved	
		B	0302XXXX	HUAWEI TECH CO.,LTD.	

51. TRX_MB_1



The type and specification of the components refer to the BOM

				NA	2017/01/01
				ECA NO	DATE
DESIGNED	gumingpeng 00358948	HL1POTTM		03024GXE_SCHZH	
REVIEWED	xujianguo 00312186	VER	PART_NUMBER	SHEET 40 TRX_MB_1	
		A	03024GXE	HUAWEI TECH CO.,LTD.	

52.TRX_MB_2_Reserved

A

B

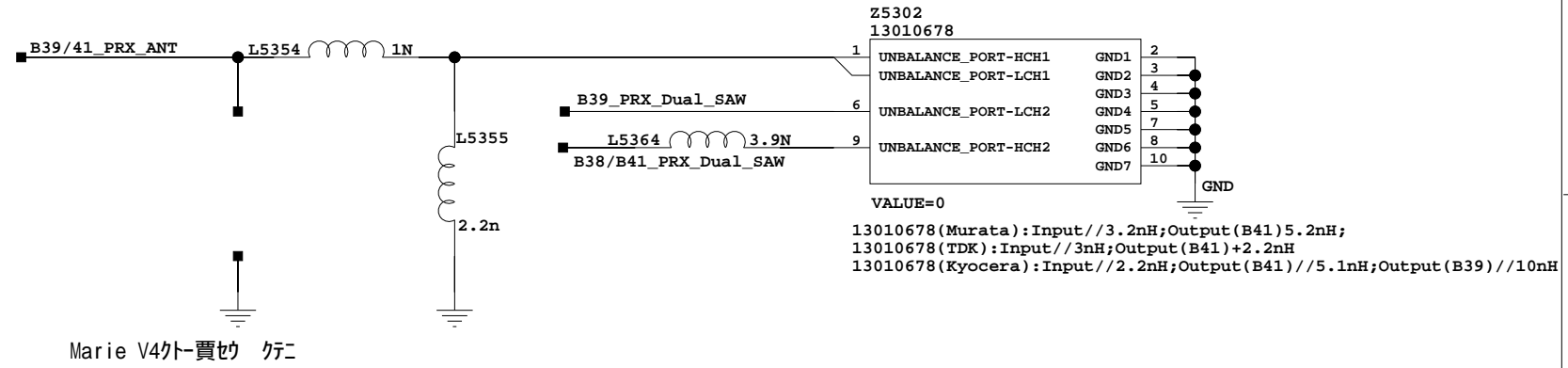
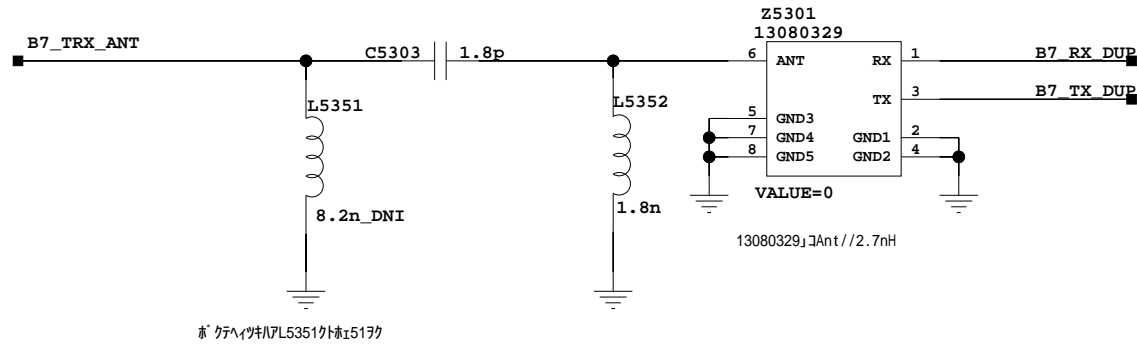
C

D

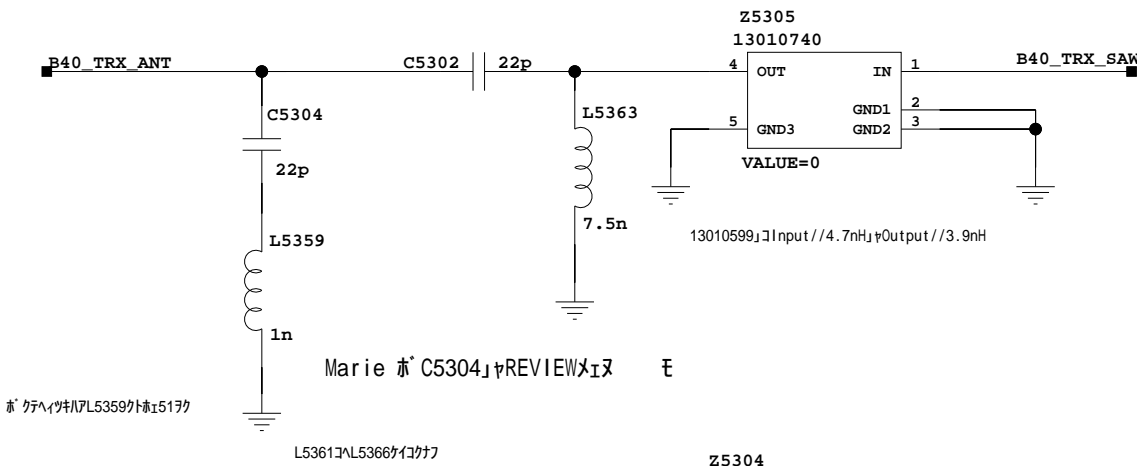
The type and specification of the components refer to the BOM

				NA	2017/01/01
				ECA NO	DATE
DESIGNED	gumingpeng 00358948			HL1POTTM	
				03024GXE_SCHZH	
REVIEWED	xujianguo 00312186				
		VER	PART_NUMBER	SHEET 43 TRX_MB_2_Reserved	
		A	03024GXE	HUAWEI TECH CO.,LTD.	

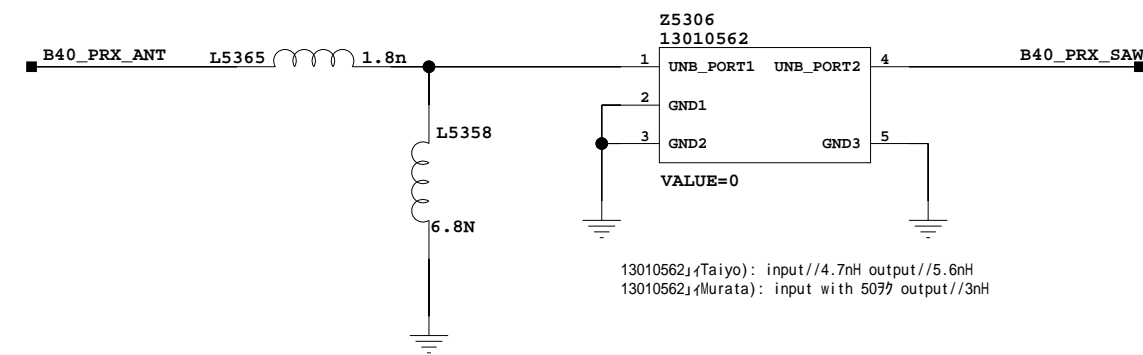
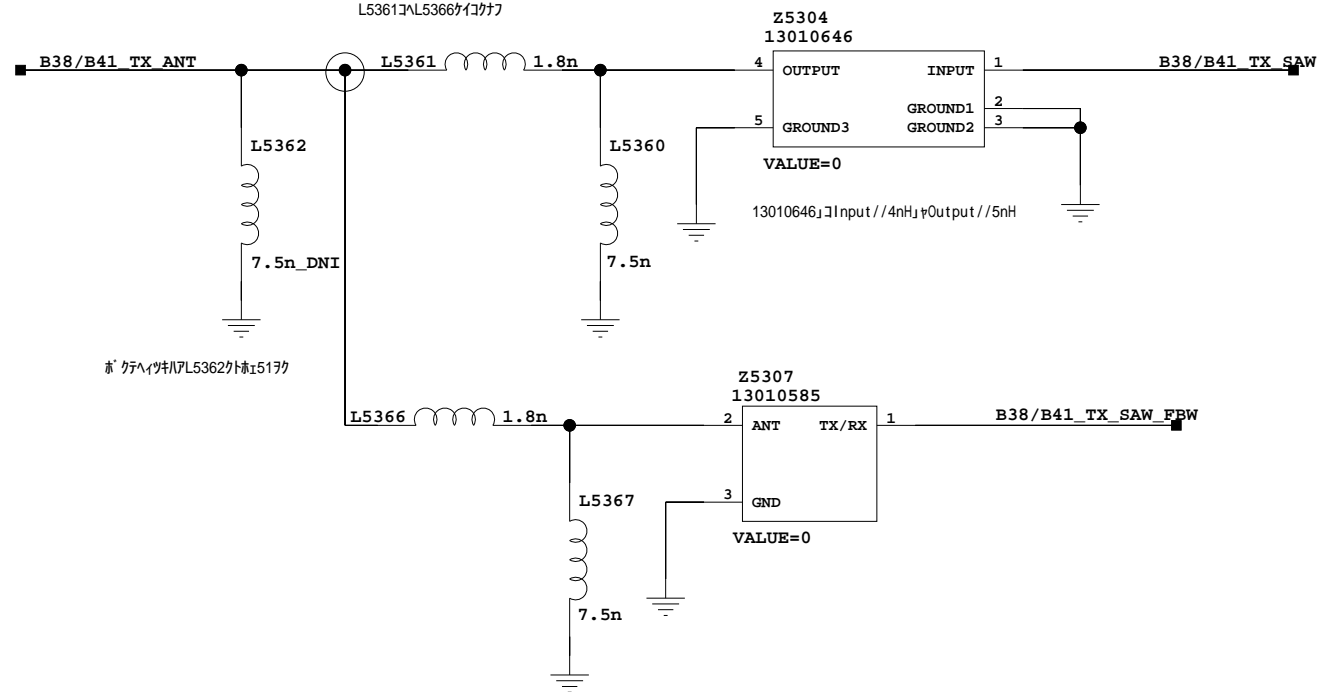
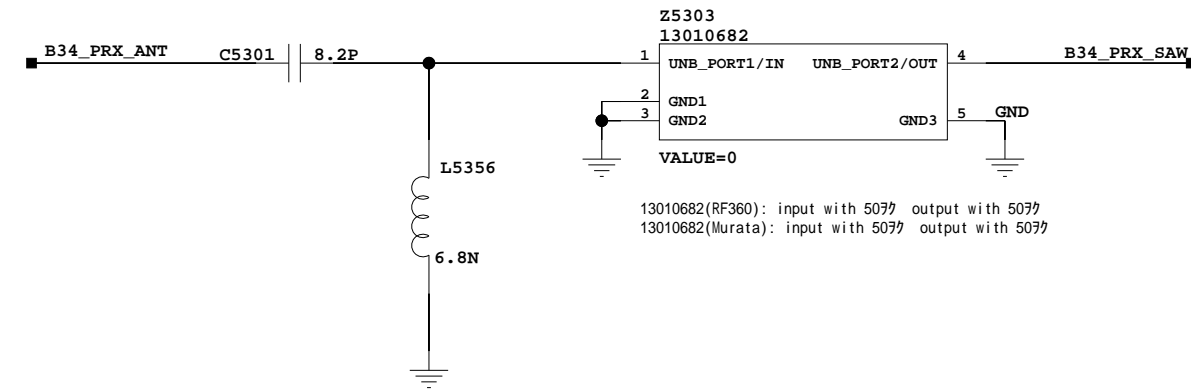
53. TRX_HB_1



Marie V4外-賣の 行



Marie 本 C5304にREVIEWを要す



The type and specification of the components refer to the BOM

				NA	2017/01/01
				ECA NO	DATE
DESIGNED	gumingpeng 00358948			03024GXE_SCHZH	
REVIEWED	xujianguo 00312186			03024GXE_SCHZH	
	VER	PART_NUMBER	SHEET 42 TRX_HB6		
	A	03024GXE	HUAWEI TECH CO.,LTD.		

54.TRX_HB_2_Reserved

A

A

B

B

C

C

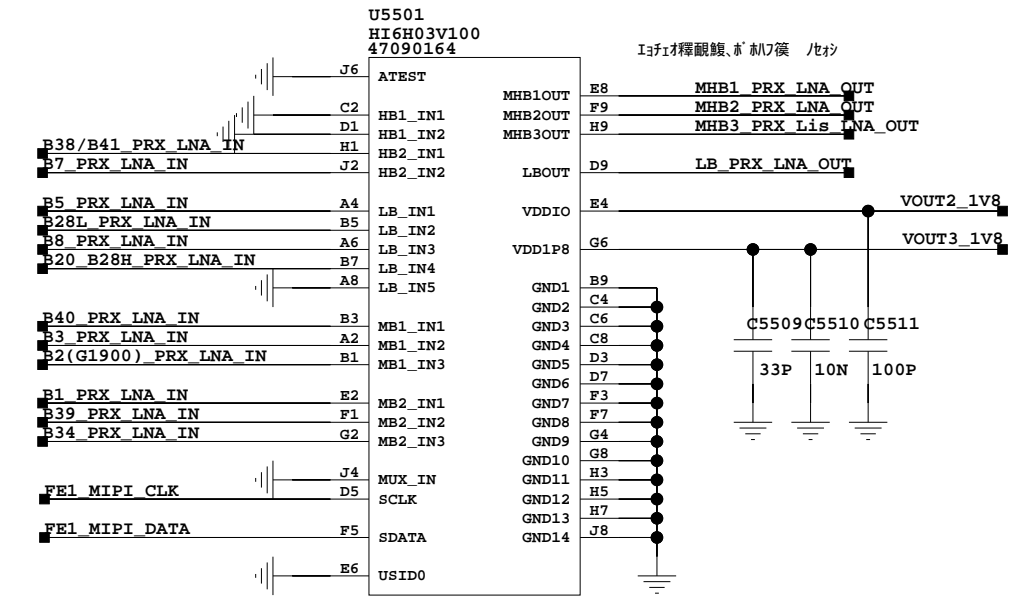
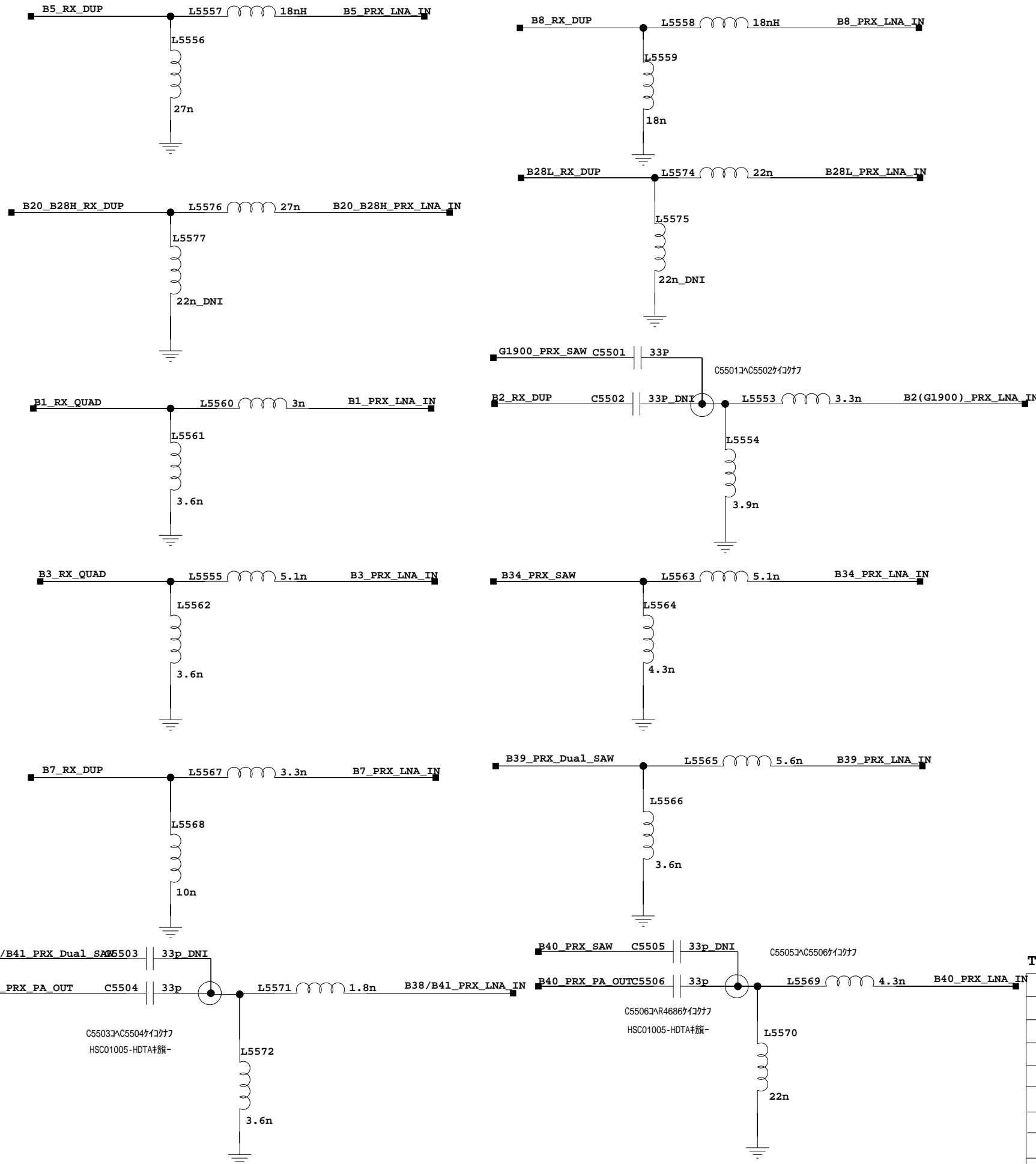
D

D

The type and specification of the components refer to the BOM

				TBD For	2014-02-27
				ECA NO	DATE
DESIGNED	yuanhailin/00265042	HL1POTTM			
REVIEWED	yangjiangtao/00141174				
		VER	PART_NUMBER	SHEET 50 reserved	
		B	0302XXXX	HUAWEI TECH CO.,LTD.	

55.PRX_LNA_Module



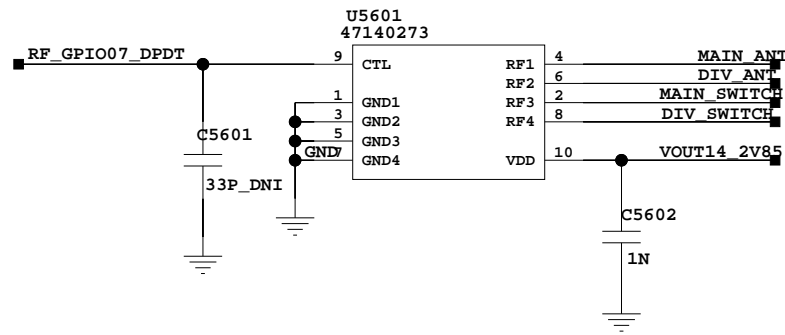
The Inputport unused should be connected to GND!

6H03 Frequency Range		
LB_in1	852-894MHz	B5/6/18/19/26
LB_in2	703-894MHz	B5/6/12/17/18/19/20/26/28
LB_in3	925-960MHz	B8
LB_in4/5	717-821MHz	B12/17/20/28
MB1_in1	1805-2400MHz	B1/2/3/4/34/39/40/66
MB1_in2/3	1805-2200MHz	B1/2/3/4/34/39/66
MB2_in1/3	1805-2200MHz	B1/2/3/4/34/39/66
MB2_in2	1447-1920MHz	B3/39
HB1_in1/HB2_in1	2496-2690MHz	B7/38/41
HB1_in2/HB2_in2	2300-2690MHz	B7/38/40/41
Mux_in	1805-2690MHz	B1/2/3/4/7/34/38/39/40/41/66

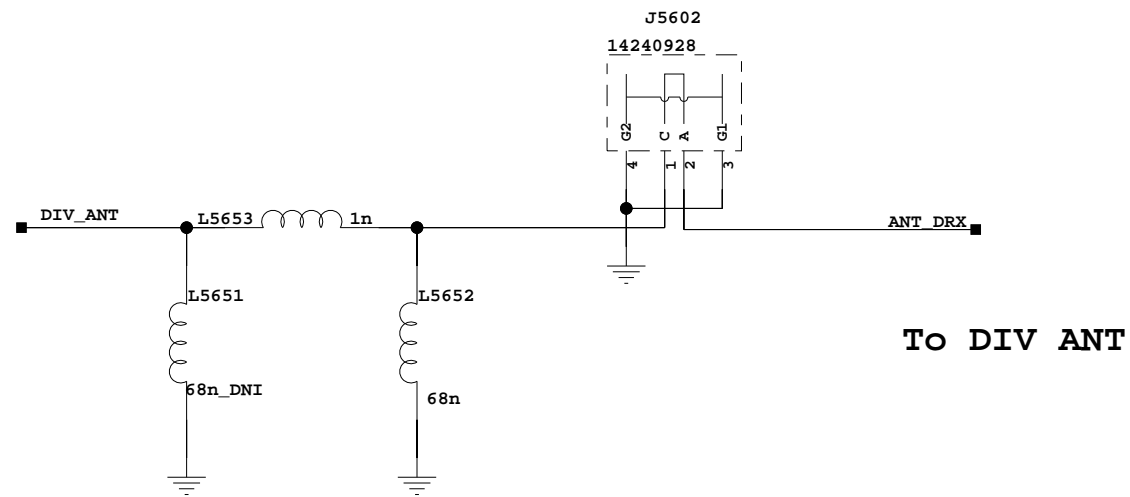
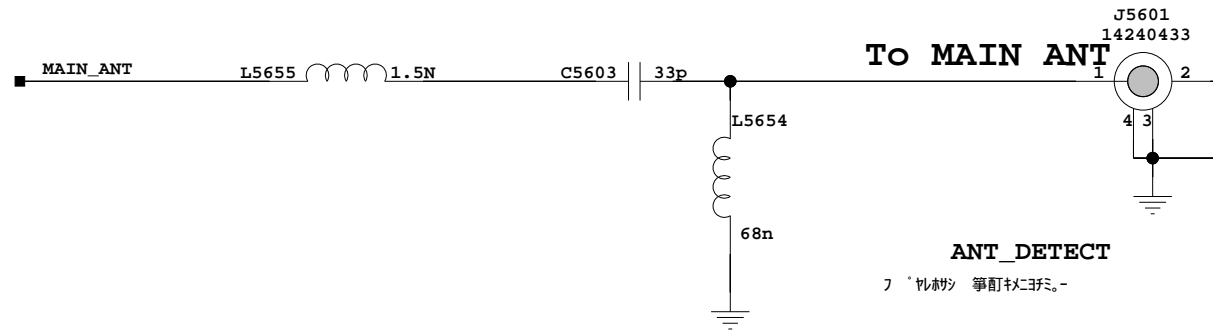
The type and specification of the components refer to the BOM

DESIGNED	3 AD ±±	HL1POTTM	00001234
REVIEWED		VER	PART_NUMBER
		A	03030001
			SHEET 44 PRX_LNA0Module
			HUAWEI TECH CO.,LTD.

56.Main_DPDT



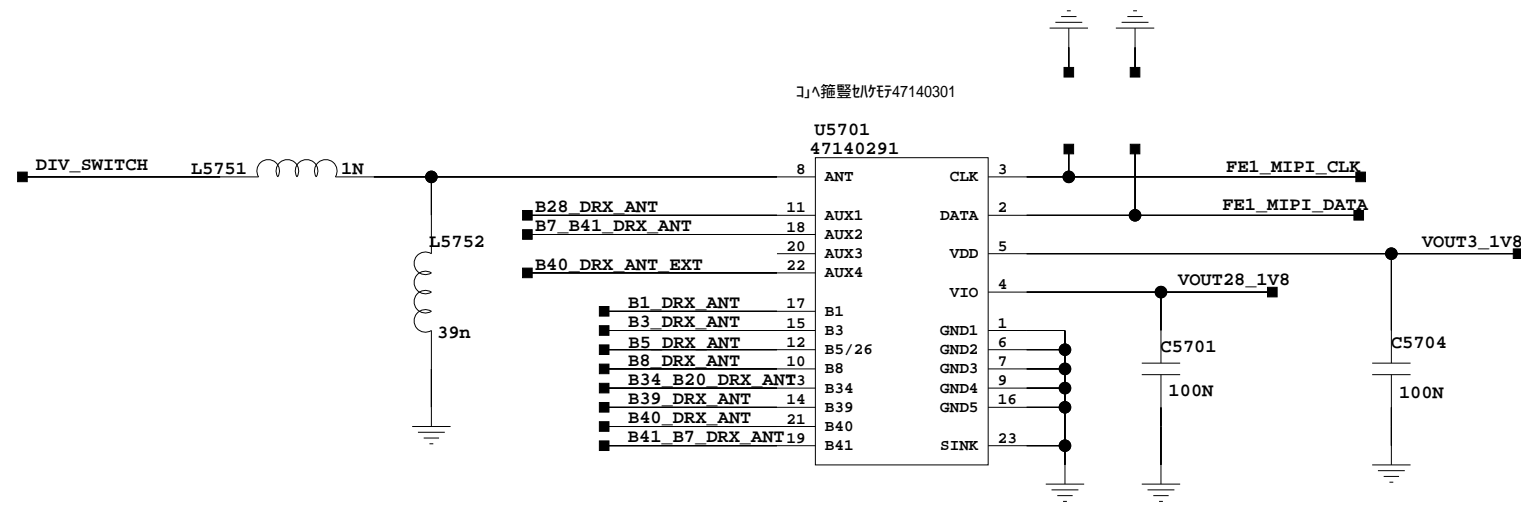
CTRL1	State
0	RF1-RF3;RF2-RF4
1	RF1-RF4;RF2-RF3



The type and specification of the components refer to the BOM

				NA	
				ECA NO	DATE
DESIGNED	gumingpeng 00358948	HL1POTTM		03024GXE_SCHZH	
REVIEWED	xujianguo 00312186	VER	PART_NUMBER	SHEET 34 DPDT_C6connector	
		A	03024GXE	HUAWEI TECH CO.,LTD.	

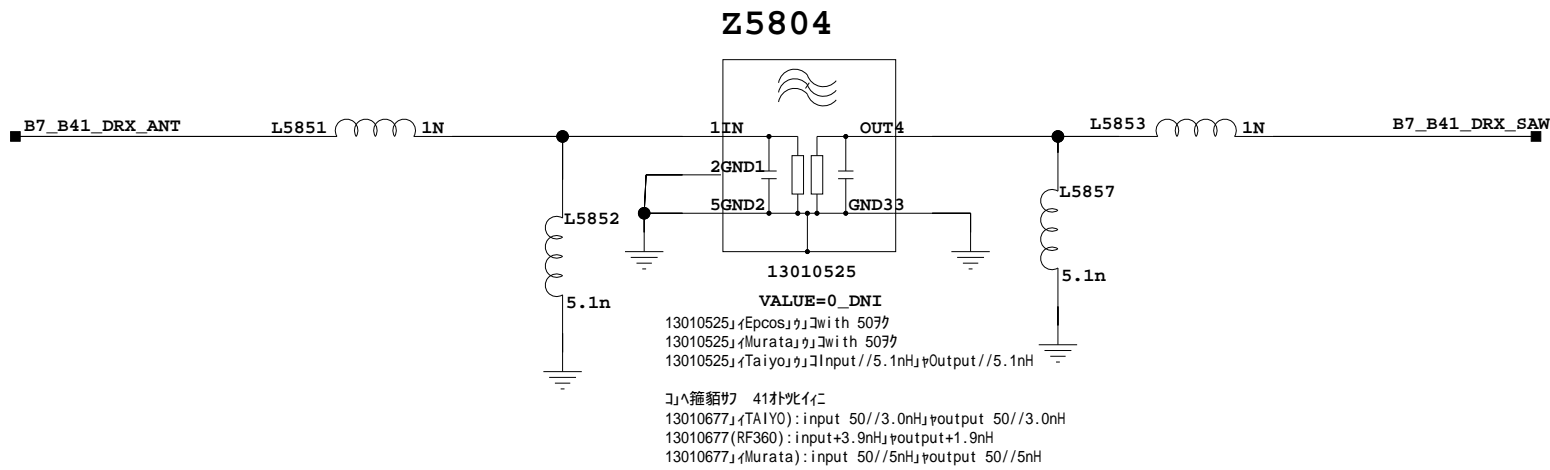
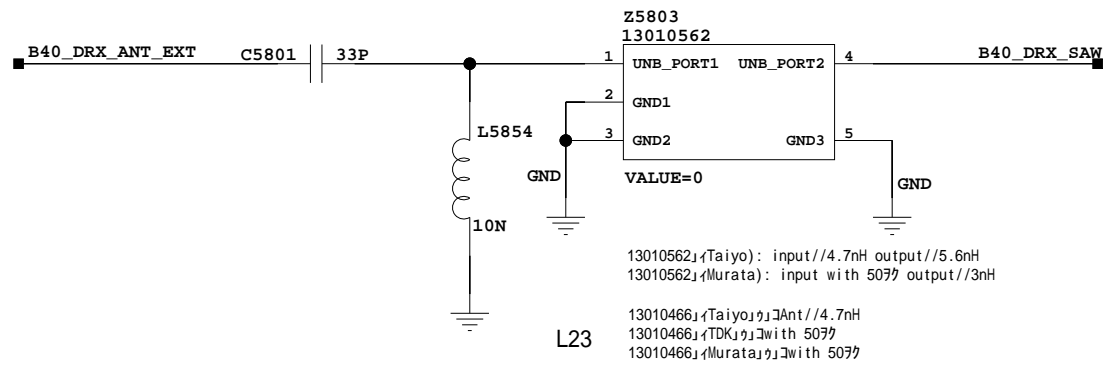
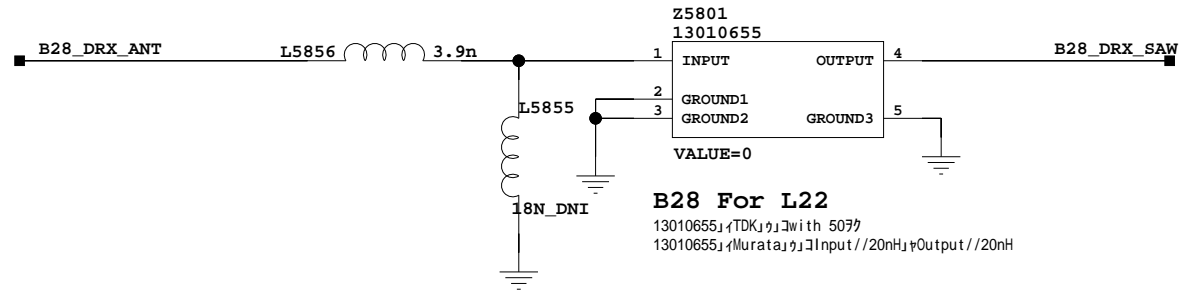
57.DRX_SWITCH



The type and specification of the components refer to the BOM

				NA	2015-12-26
				ECA NO	DATE
DESIGNED	³ÄDj±±	HL1POTTM		00001234	
REVIEWED		VER	PART_NUMBER	SHEET 45 DRX_Switch	
		A	03030001	HUAWAI TECH CO.,LTD.	

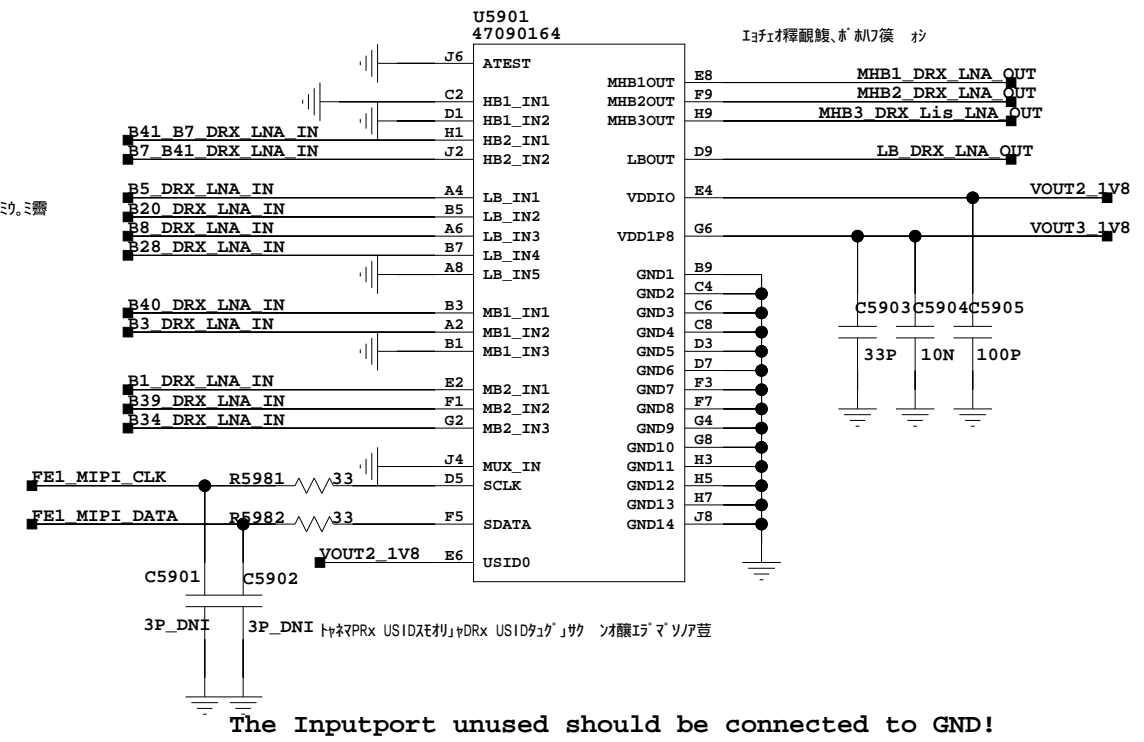
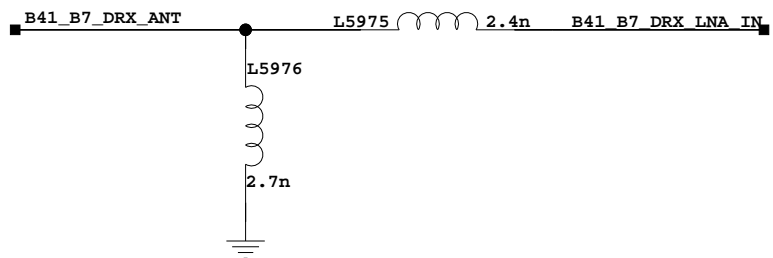
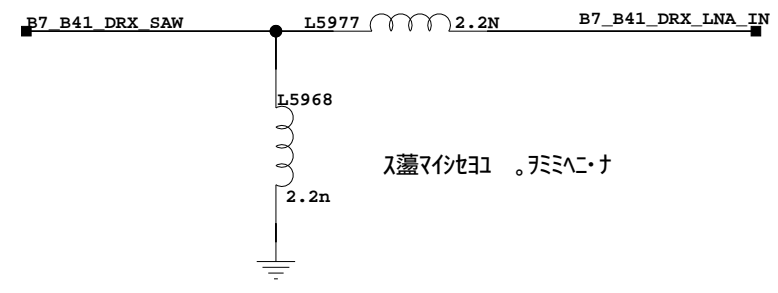
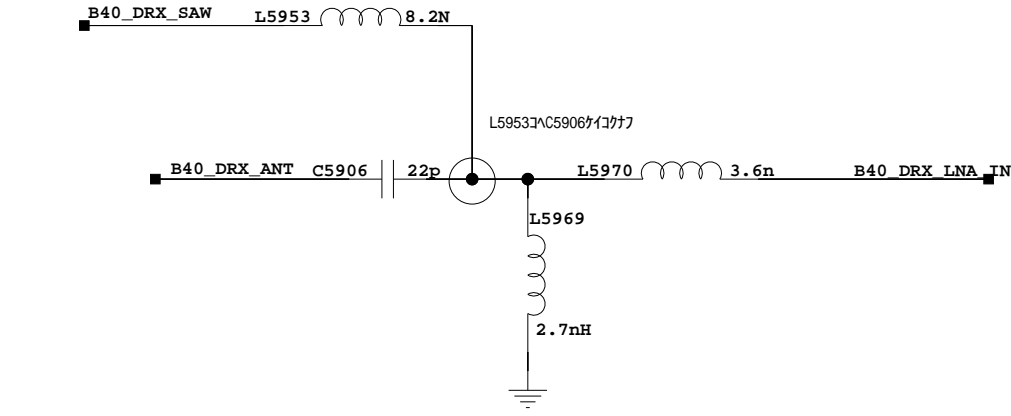
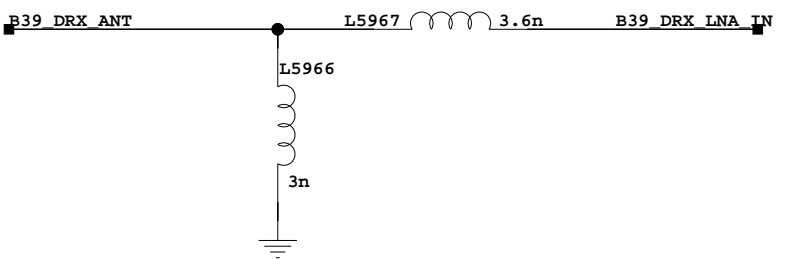
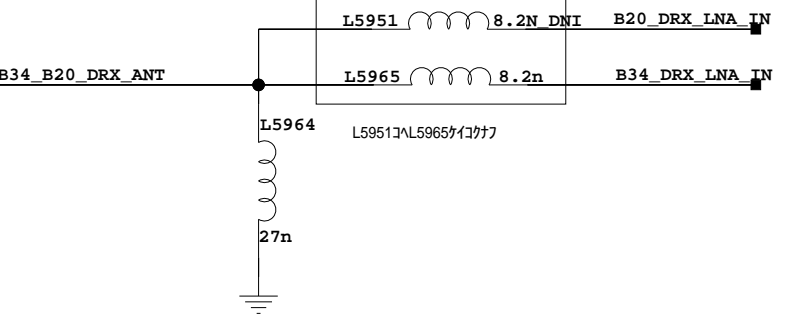
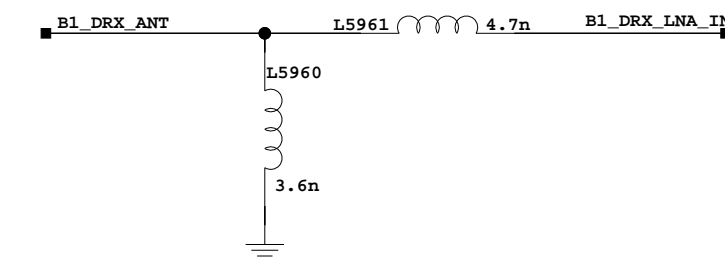
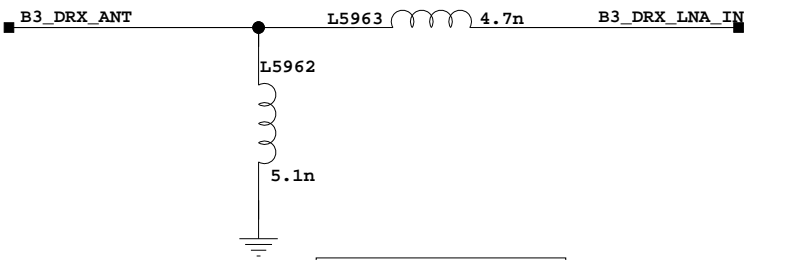
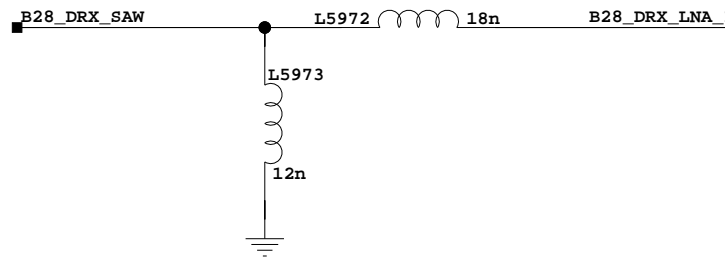
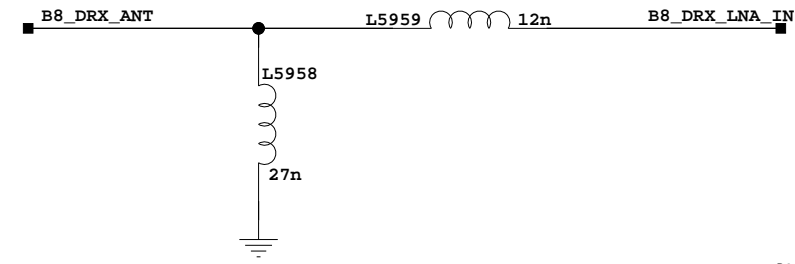
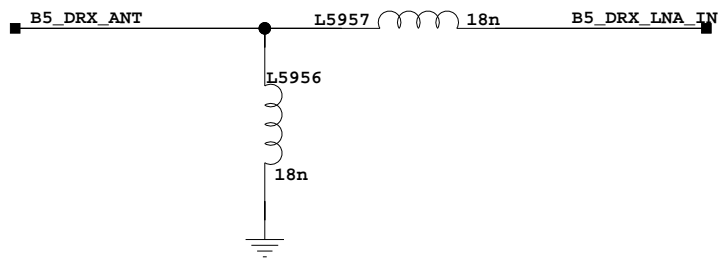
58.DRX_LB



The type and specification of the components refer to the BOM

				NA	20140523
				ECA NO	DATE
DESIGNED	yuanhailin/00265042		HL1POTTM		
REVIEWED	yangjiangtao/00141174				
		VER	PART_NUMBER	SHEET 46 DRX_LB60	
		A	03022MYN	HUAWEI TECH CO.,LTD.	

59. DRX_LNA_Module

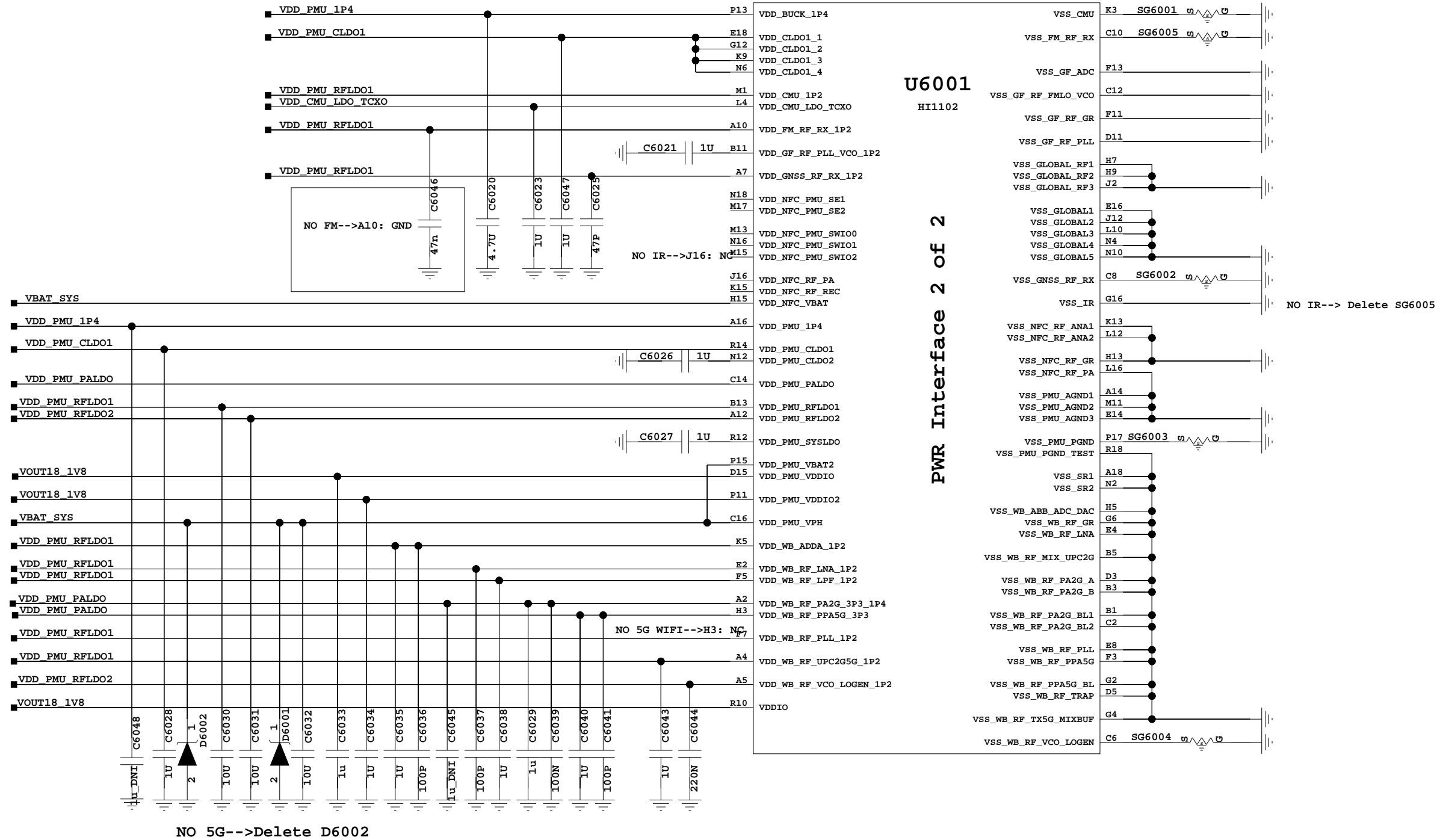


6H03 Frequency Range		
LB_in1	852-894MHz	B5/6/18/19/26
LB_in2	703-894MHz	B5/6/12/17/18/19/20/26/28
LB_in3	925-960MHz	B8
LB_in4/5	717-821MHz	B12/17/20/28
MB1_in1	1805-2400MHz	B1/2/3/4/34/39/40/66
MB1_in2/3	1805-2200MHz	B1/2/3/4/34/39/66
MB2_in1/3	1805-2200MHz	B1/2/3/4/34/39/66
MB2_in2	1447-1920MHz	B3/39
HB1_in1/HB2_in1	2496-2690MHz	B7/38/41
HB1_in2/HB2_in2	2300-2690MHz	B7/38/40/41
Mux_in	1805-2690MHz	B1/2/3/4/7/34/38/39/40/41/66

The type and specification of the components refer to the BOM

DESIGNED	yuanhailin/00265042	HL1POTTM	TBD For	2014-02-27
REVIEWED	yangjiangtao/00141174		ECA NO	DATE
		VER	PART_NUMBER	SHEET 49 DRX_LNA0Module
		B	0302XXXX	HUAWEI TECH CO.,LTD.

60 NC_POWER



U6001
HI1102

PWR Interface 2 of 2

Add by Hisilicon for debug

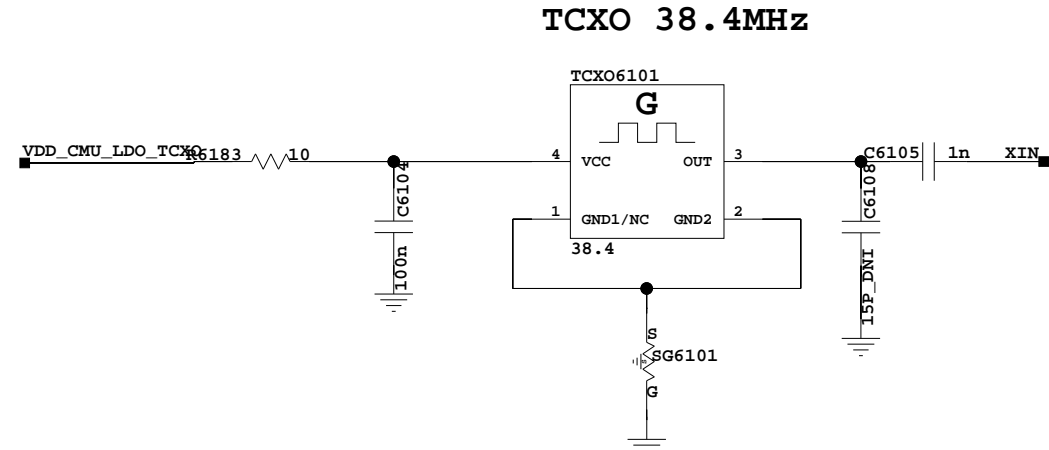
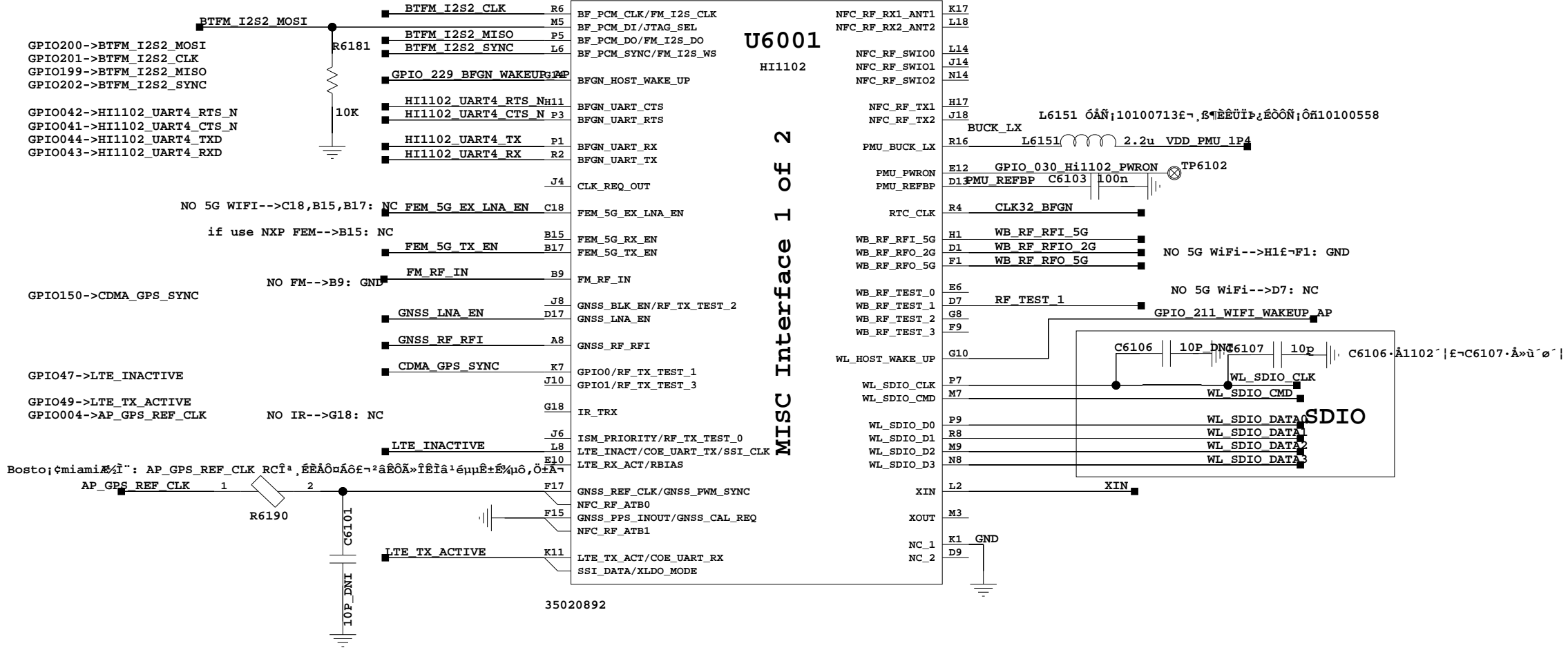
- VOUT18_1V8
- VBAT_SYS

Boston, Miami: VOUT2->VOUT18_1V8
Chicago, Dallas: VOUT2

The type and specification of the components refer to the BOM

DESIGNED	Yangyukun 00258672	HL1BLNM	2015-11-10
REVIEWED	Liuwencheng 00337443	ECA NO	DATE
		HL1DUKM	03024CPX_SCHZH
		VER	PART_NUMBER
		B	03024CPX
		SHEET	52_HI1102_POWER
		68	
HUAWEI TECH CO.,LTD.			

61 NC_BB



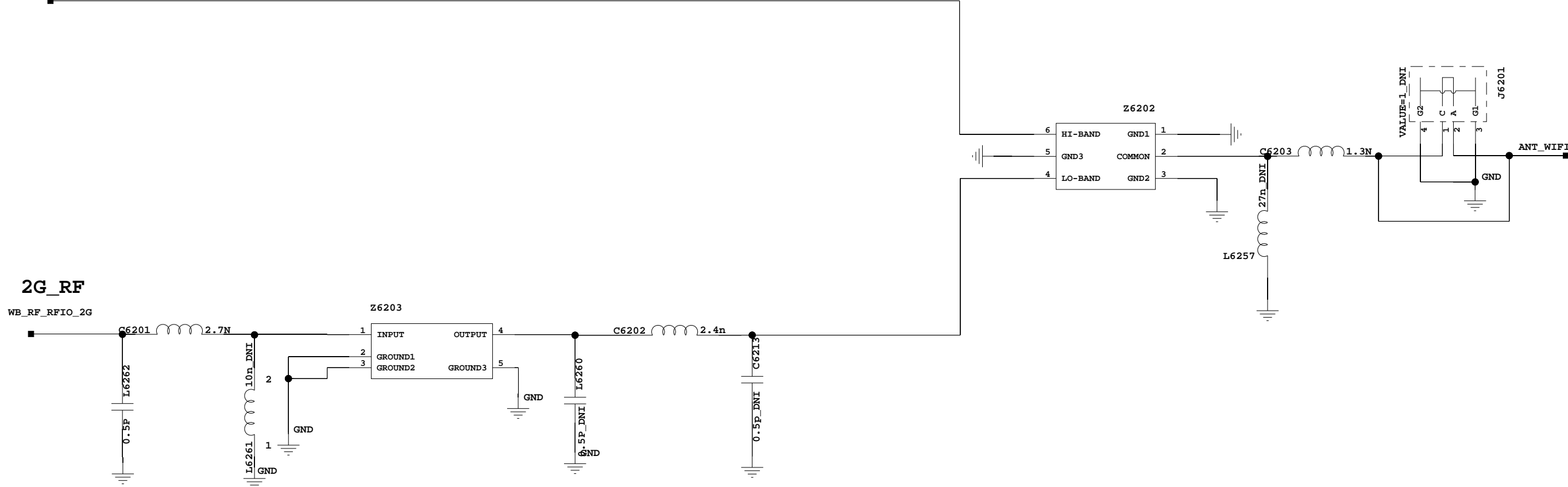
The type and specification of the components refer to the BOM

				HL1BLNM	2015-11-10
				ECA NO	DATE
DESIGNED	Yangyukun 00258672	HL1DUKM		03024CPX_SCHZH	
REVIEWED	Liuwencheng 00337443				
		VER	PART_NUMBER	SHEET 53_HDF1026BB	
		B	03024CPX	HUAWAI TECH CO.,LTD.	

62 NC_2G/5G

5G_RF
WIFI_5G

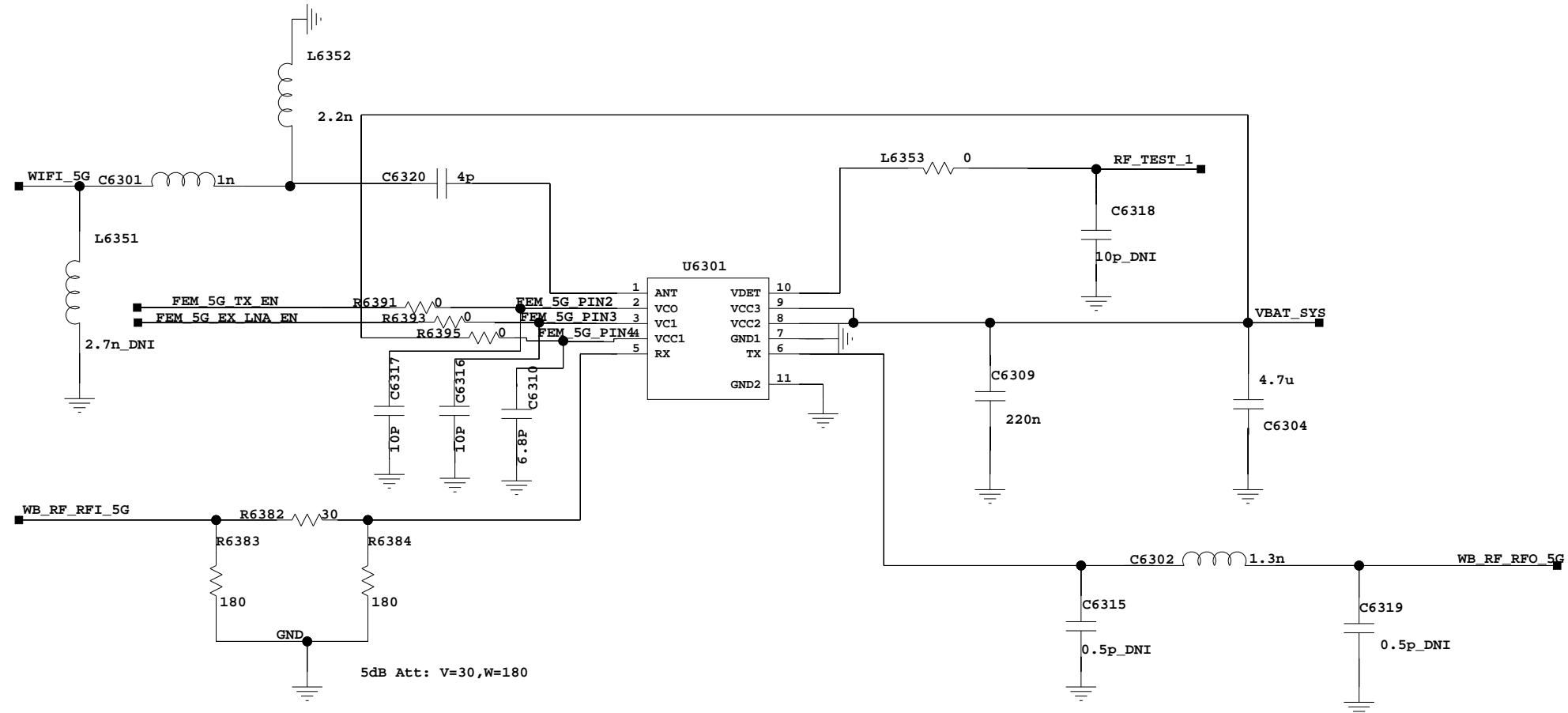
2G_RF
WB_RF_RFIO_2G



The type and specification of the components refer to the BOM

				HL1BLNM	2015-11-10
				ECA NO	DATE
DESIGNED	HEQUANTAO 00278224	HL1DUKM		03023NDR_SCHZH	
REVIEWED	LIZHAO 00213340	VER	PART_NUMBER	SHEET	54_HDF1025RF_FrontEnd
		A	03023NDR	HUAWEI TECH CO.,LTD.	

63 NC_FE_WIFI_5G



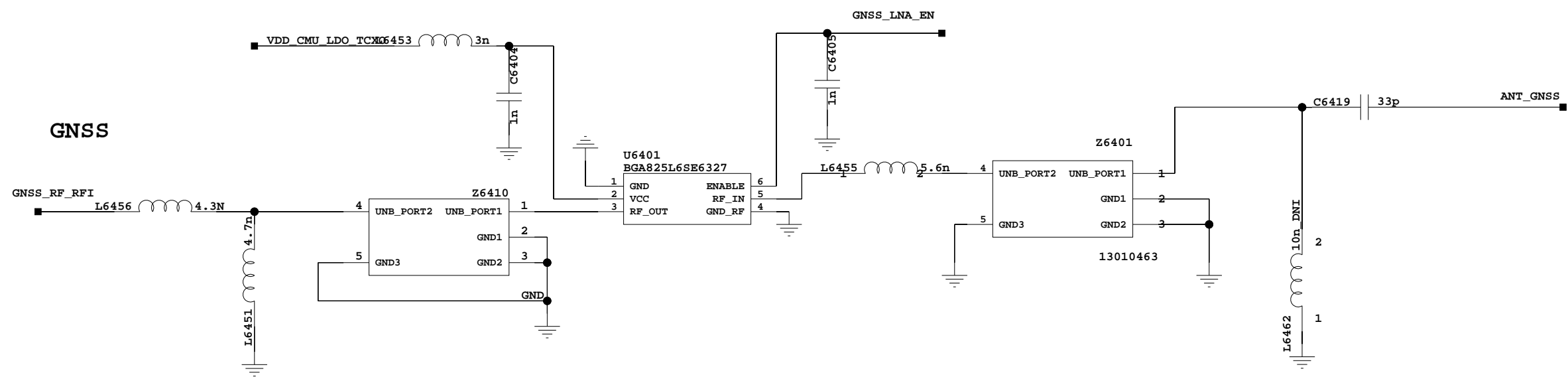
Reserve For Qorvo RFFM8538

- FEM 5G TX EN R6392 0_DNI FEM 5G PIN4
- FEM 5G EX LNA EN R6394 0_DNI FEM 5G PIN2
- VBAT_SYS R6396 0_DNI FEM 5G PIN3

The type and specification of the components refer to the BOM

				HL1BLNM	2015-11-10
				ECA NO	DATE
DESIGNED	HEQUANTAO 00278224	HL1DUKM		03023NDR_SCHZH	
REVIEWED	LIZHAO 00213340	VER	PART_NUMBER	SHEET	55 Hi 02_35 FrontEnd_5G
		A	03023NDR	HUAWEI TECH CO.,LTD.	

64 NC_GPS



The type and specification of the components refer to the BOM

				HL1BLNM	2015-11-10
				ECA NO	DATE
DESIGNED	HEQUANTAO 00278224	HL1DUKM		03023NDR_SCHZH	
REVIEWED	LIZHAO 00213340				
		VER	PART_NUMBER	SHEET	54_HDF1025RF_FrontEnd
		A	03023NDR	HUAWEI TECH CO.,LTD.	

65 Reserved

The type and specification of the components refer to the BOM

				NA	20114-01-08
				ECA NO	DATE
DESIGNED	Yangyukun 00258672	HL1DUKM		03024CPX_SCHZH	
REVIEWED	Liuwencheng 00337443				
		VER	PART_NUMBER	SHEET	59 REV 60
		B	03024CPX	HUAWEI TECH CO.,LTD.	

1 2 3 4 5 6

A **66 Reserved**

B

C

The type and specification of the components refer to the BOM

				NA	20114-01-08
				ECA NO	DATE
DESIGNED	Yangyukun 00258672	HL1DUKM		03024CPX_SCHZH	
REVIEWED	Liuwencheng 00337443				
		VER	PART_NUMBER	SHEET	59 REV 60
		B	03024CPX	HUAWEI TECH CO.,LTD.	

67 Reserved

The type and specification of the components refer to the BOM

				NA	20114-01-08
				ECA NO	DATE
DESIGNED	Yangyukun 00258672	HL1DUKM		03024CPX_SCHZH	
REVIEWED	Liuwencheng 00337443				
		VER	PART_NUMBER	SHEET	59 REV 60
		B	03024CPX	HUAWEI TECH CO.,LTD.	

79.ANT_Tuner_Controller

A

A

B

B

C

C

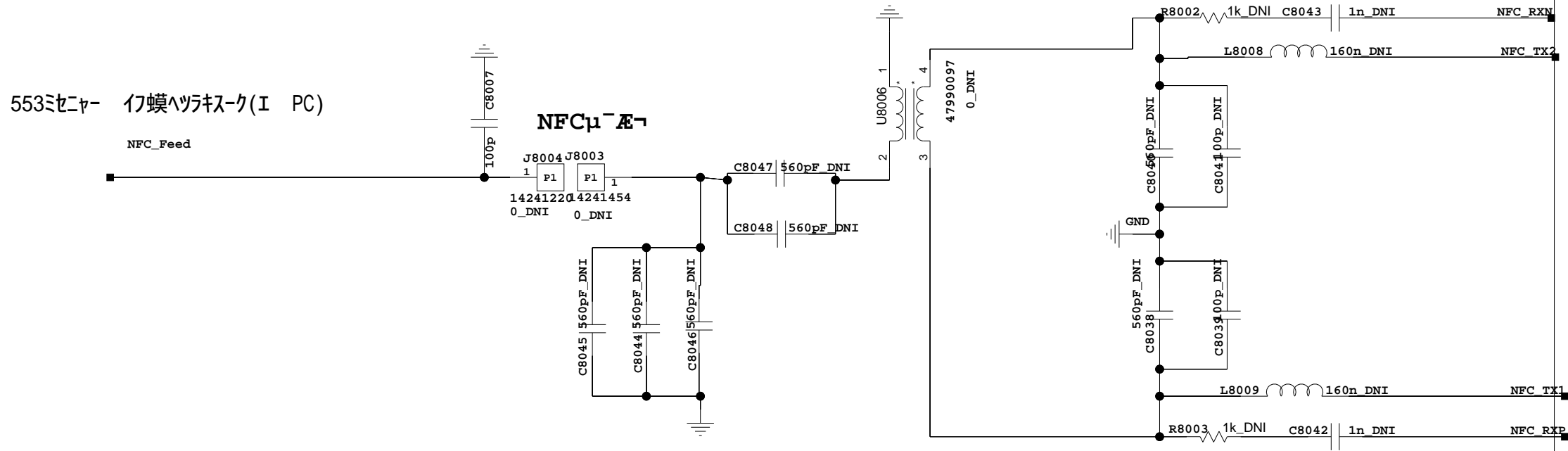
D

D

The type and specification of the components refer to the BOM

				NA	20114-01-08
				ECA NO	DATE
DESIGNED	Yangyukun 00258672	HL1DUKM		03024CPX_SCHZH	
REVIEWED	Liuwencheng 00337443				
		VER	PART_NUMBER	SHEET	59 REV 60
		B	03024CPX	HUAWEI TECH CO.,LTD.	

80. ANT_NFC



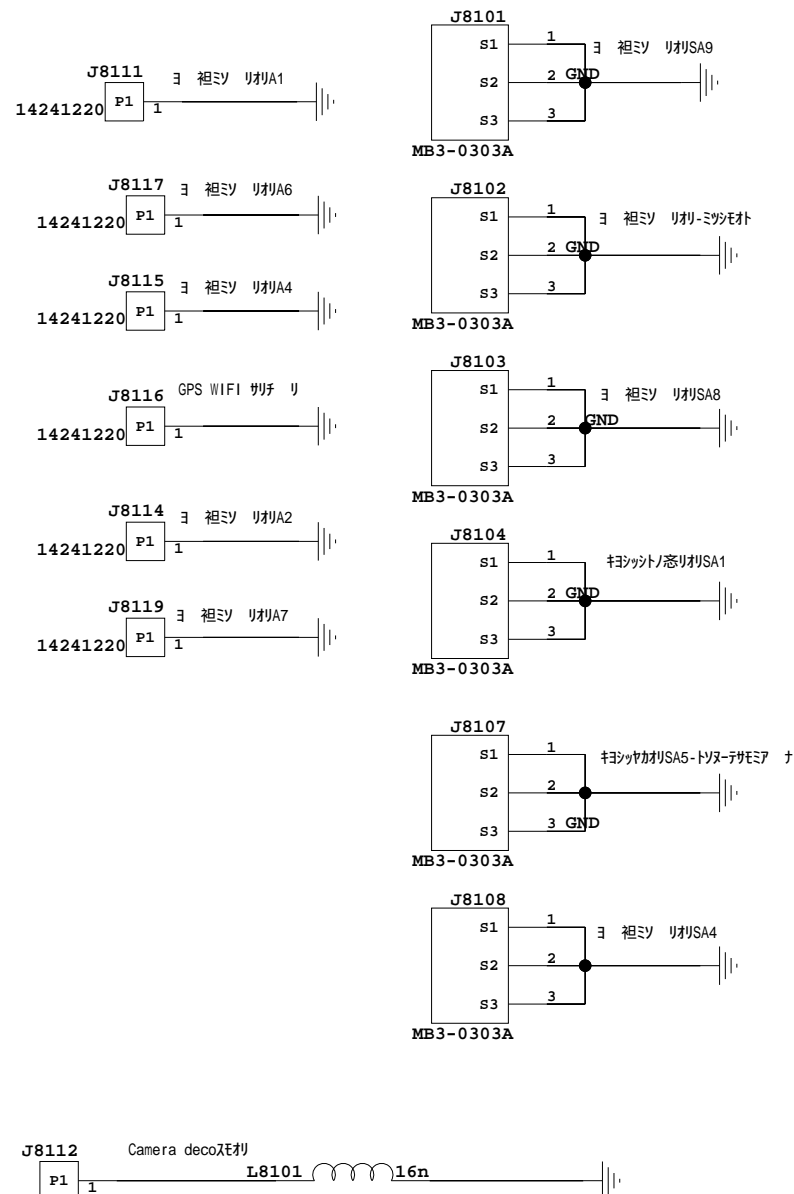
1. 553ÊÇTX1°ÍRXPÁ-½, TX2°ÍRXNÁ-½
2. Á-½Óμ½D¾E-μÄÍøÂçÃÛ°´´È¹éÒ»»

The type and specification of the components refer to the BOM

				NA	
				ECA NO	DATE
DESIGNED	Hanchao 00380204	HL1BKLM		00001234	
REVIEWED	Yanxinmiao 00388695	VER	PART_NUMBER	SHEET	73 CNT_NF64
		A	03025XXX	HUAWEI TECH CO.,LTD.	

81. ANT_GND

オッニヤタ

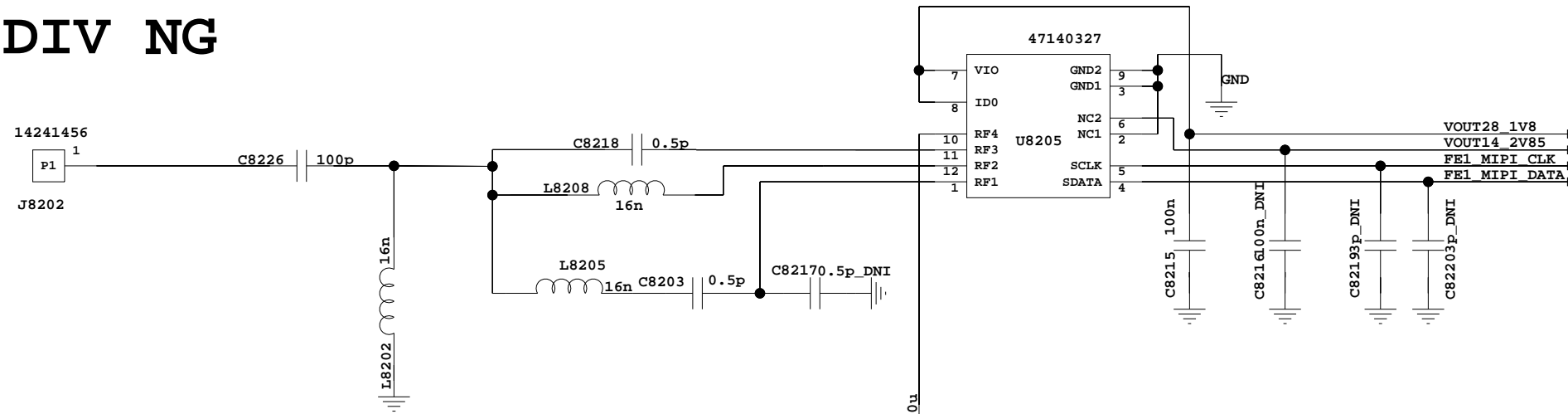


The type and specification of the components refer to the BOM

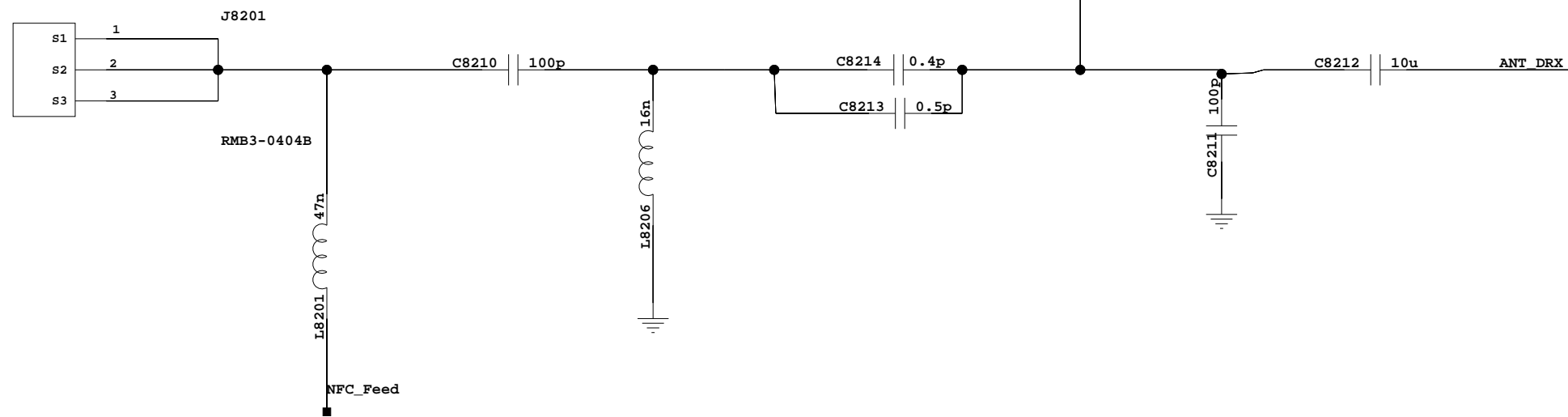
				NA	20114-01-08
				ECA NO	DATE
DESIGNED	Yangyukun 00258672	HL1DUKM		03024CPX_SCHZH	
REVIEWED	Liuwencheng 00337443				
		VER	PART_NUMBER	SHEET	59 REV 60
		B	03024CPX	HUAWEI TECH CO.,LTD.	

82. ANT_DIV_feed

DIV NG



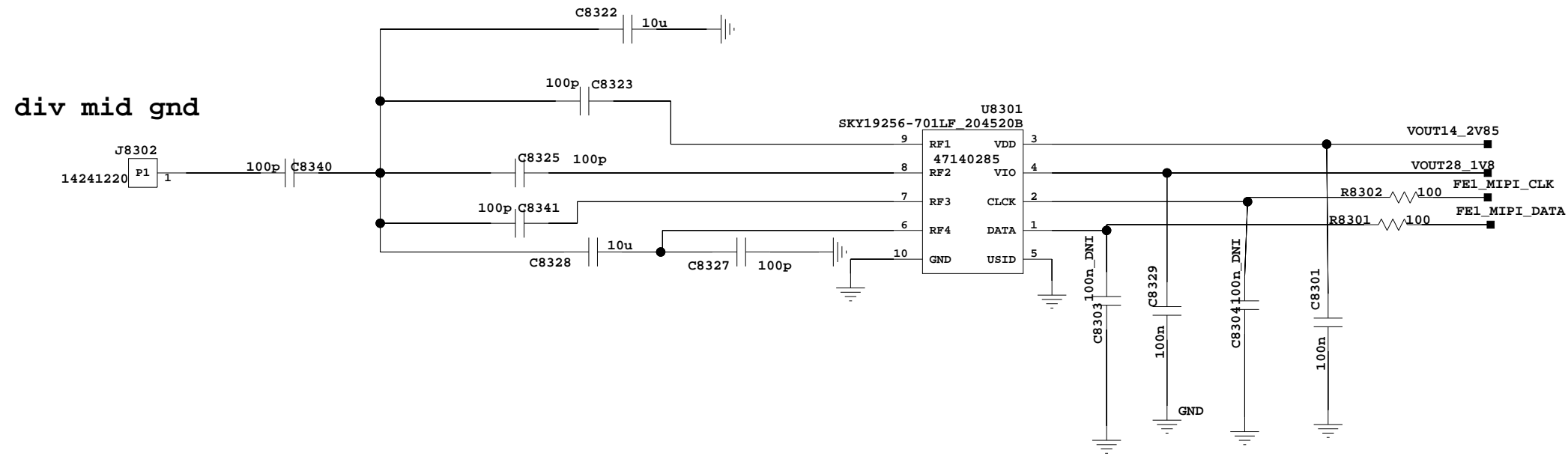
DIV Ant Feed



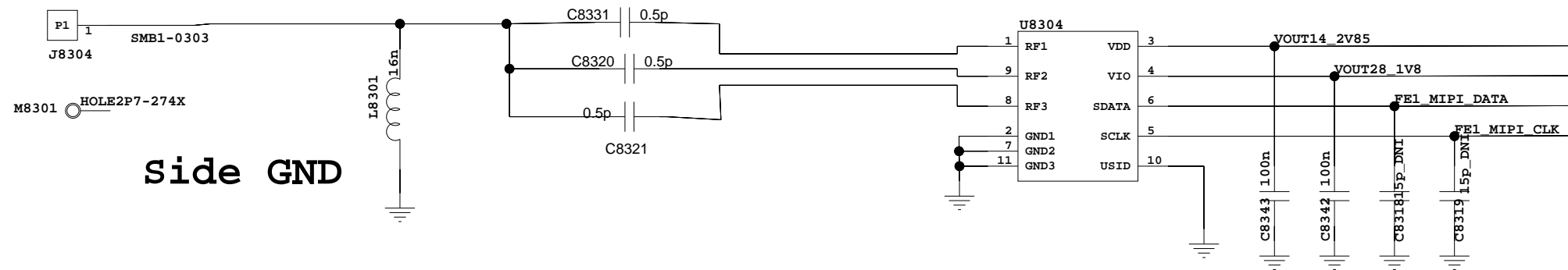
The type and specification of the components refer to the BOM

				NA	2016-7-12
				ECA NO	DATE
DESIGNED	XUQIJIA 00278050	HL1BKLM		03025JNA-SCHZH	
REVIEWED	LIUWENCHENG 00337443				
		VER	PART_NUMBER	SHEET 71 ANT_DIV4	
		A	03025JNA	HUAWEI TECH CO.,LTD.	

83. ANT_DIV_tuner



DIV side GND

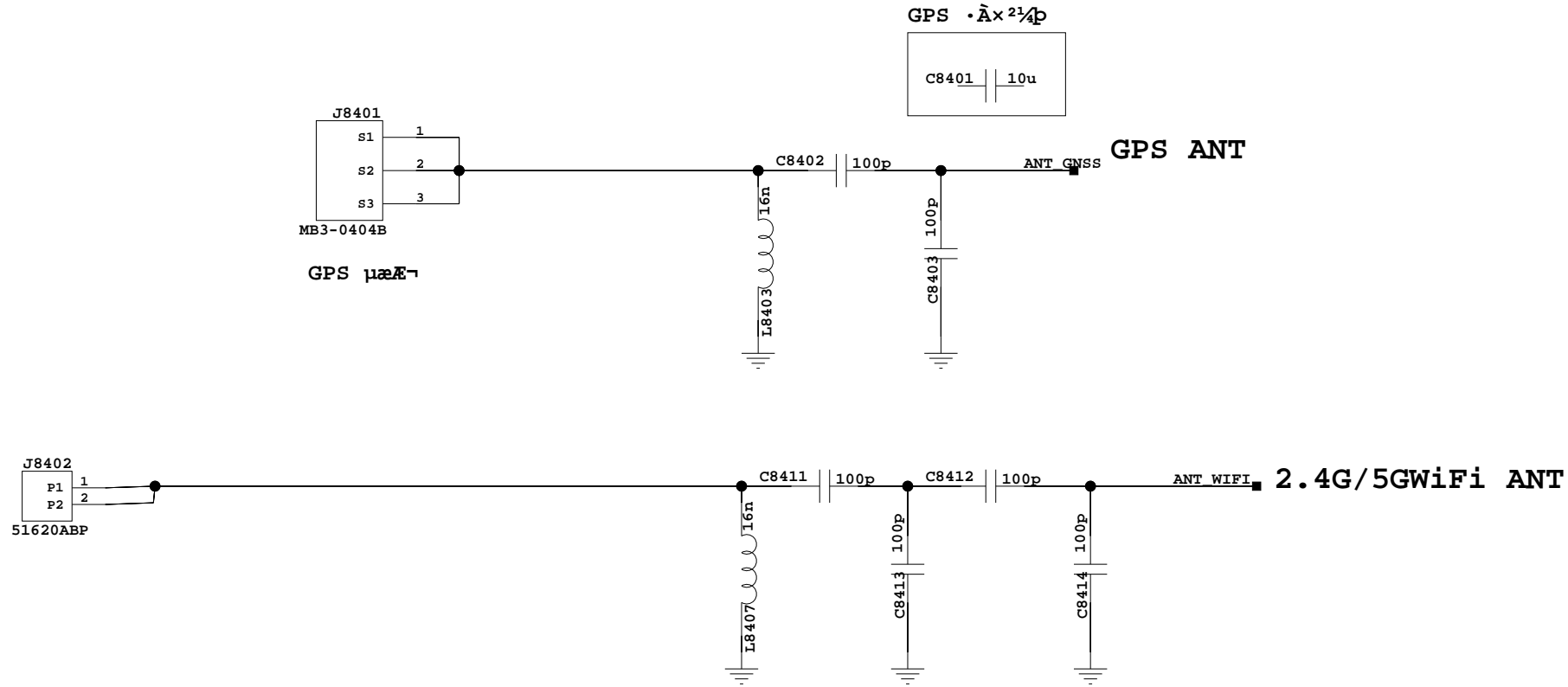


Side GND

The type and specification of the components refer to the BOM

				NA	20114-01-08
				ECA NO	DATE
DESIGNED	Yangyukun 00258672	HL1BKLM		03024CPX_SCHZH	
REVIEWED	Liuwencheng 00337443				
		VER	PART_NUMBER	SHEET 74 AND CEZB MIMO	
		B	03024CPX	HUAWAI TECH CO.,LTD.	

84. ANT_GPS_WIFI



The type and specification of the components refer to the BOM

				TBD For	2016-7-12
				ECA NO	DATE
DESIGNED	XUQIJIA 00278050	HL1BKLM		**	
REVIEWED	LIUWENCHENG 00337443				
		VER	PART_NUMBER	SHEET	72 ANT_GPS_WIFI
		B	03025JNA	HUAWEI TECH CO.,LTD.	

85.ANT_MIMO

A

A

B

B

C

C

D

D

The type and specification of the components refer to the BOM

				NA	2017/08/10
				ECA NO	DATE
DESIGNED	ZHANGWEI 00267965	NOVA5I			
REVIEWED	WANGTICHANG				
		VER	PART_NUMBER	SHEET 68 NEF BB64	
		A		HUAWEI TECH CO.,LTD.	