



CATALOGUE



STAINLESS STEEL

PIPELINE ▣ VALVES ▣ FITTINGS



DISTRIBUIDOR EXCLUSIVO EN MÉXICO

BRIDAS FORJADAS DE ACERO INOXIDABLE



EXCLUSIVE STAINLESS STEEL LINE

- ▶ PIPE WELDED & SEAMLESS ASTM A-312
- ▶ FLANGED ASTM A-182 ANSI B16.5 CLASS 150, 300, 600
- ▶ TUBING WELDED & SEAMLESS ASTM A-269 & A-213
- ▶ PIPE NIPPLE WELDED & SEAMLESS ASTM A-733
- ▶ FITTINGS WELDED & SEAMLESS ASTM A-403
- ▶ FITTINGS HIGH PRESSURE ASTM A-182
- ▶ FITTINGS CAST CLASS 150
- ▶ VALVE BALL THREADED AND FLANGED A-351
- ▶ VALVE BALL, GATE, GLOBE, CHECK A-351
- ▶ TUBE FITTINGS & VALVE NEEDLE CLASS 6000 PSI
- ▶ VALVE STRAINERS THREADED & FLANGED CLASS 150



PIPE WELDED & SEAMLESS ASTM A-312

cobrival.com



DIMENSION AND WEIGHT

SCHEDULE	5S	10S	40S	80S	10	20	30	40	60	80	100	120	140	160	STD	XS	XXS
SIZE O.D.	Wall/In Wgt/Ft																
1/4" 0.540			0.088 0.43	0.119 0.54				0.088 0.43		0.119 0.54					0.088 0.43	0.119 0.54	
3/8" 0.675			0.091 0.57	0.126 0.76				0.091 0.57		0.126 0.76					0.091 0.57	0.126 0.76	
1/2" 0.840	0.065 0.54	0.083 0.68	0.109 0.86	0.147 1.10			0.095 0.76	0.109 0.86		0.147 1.10				0.188 1.32	0.109 0.86	0.147 1.10	0.294 1.73
3/4" 1.050	0.065 0.69	0.083 0.87	0.113 1.14	0.154 1.49			0.095 0.98	0.113 1.14		0.154 1.49				0.219 1.96	0.113 1.14	0.154 1.49	0.308 2.46
1" 1.315	0.065 0.88	0.109 1.42	0.133 1.69	0.179 2.19			0.114 1.48	0.133 1.69		0.179 2.19				0.250 2.87	0.133 1.69	0.179 2.19	0.358 3.69
1 1/4" 1.660	0.065 1.12	0.109 1.82	0.140 2.29	0.191 3.02			0.117 1.95	0.140 2.29		0.191 3.02				0.250 3.80	0.140 2.29	0.191 3.02	0.382 5.26
1 1/2" 1.900	0.065 1.29	0.109 2.10	0.145 2.74	0.200 3.67			0.125 2.39	0.145 2.74		0.200 3.67				0.281 4.90	0.145 2.74	0.200 3.67	0.400 6.47
2" 2.375	0.065 1.62	0.109 2.66	0.154 3.69	0.218 5.07			0.125 3.03	0.154 3.69		0.218 5.07				0.344 7.53	0.154 3.69	0.218 5.07	0.436 9.11



PIPE WELDED & SEAMLESS ASTM A-312

2 1/2" 2.875	0.083 2.50	0.120 3.56	0.203 5.85	0.276 7.73			0.188 5.45	0.203 5.85		0.276 7.73				0.375 10.11	0.203 5.85	0.276 7.73	0.552 13.82
3" 3.500	0.083 3.06	0.120 4.37	0.216 7.65	0.300 10.35			0.188 6.71	0.216 7.65		0.300 10.35				0.438 14.46	0.216 7.65	0.300 10.35	0.600 18.76
3 1/2" 4.000	0.083 3.50	0.120 5.02	0.226 9.19	0.318 12.62			0.188 7.73	0.226 9.19		0.318 12.62					0.226 9.19	0.318 12.62	
4" 4.500	0.083 3.95	0.120 5.67	0.237 10.89	0.337 15.12			0.188 8.74	0.237 10.89		0.337 15.12		0.438 19.18		0.531 22.72	0.237 10.89	0.337 15.12	0.674 27.8
5" 5.563	0.109 6.41	0.134 7.84	0.258 14.75	0.375 20.97				0.258 14.75		0.375 20.97		0.500 27.29		0.625 33.27	0.258 14.75	0.375 20.97	0.750 38.91
6" 6.625	0.109 7.66	0.134 9.38	0.280 19.15	0.432 28.84				0.280 19.15		0.432 28.84		0.562 36.73		0.719 45.78	0.280 19.15	0.432 28.84	0.864 53.66
8" 8.625	0.109 10.01	0.148 13.52	0.322 28.82	0.500 43.79		0.250 22.57	0.277 24.93	0.322 28.82	0.405 35.97	0.500 43.79	0.594 51.43	0.719 61.28	0.812 68.39	0.906 75.39	0.322 28.82	0.500 43.79	0.875 73.1
10" 10.750	0.134 15.34	0.165 18.83	0.365 40.86	0.500 55.25		0.250 28.3	0.307 34.56	0.365 40.86	0.500 55.25	0.594 65.03	0.719 77.75	0.844 90.13	1.000 105.11	1.125 116.73	0.365 40.86	0.500 55.25	1.000 105.11
12" 12.750	0.156 21.18	0.180 24.39	0.375 50.03	0.500 66.03		0.250 33.69	0.330 44.18	0.406 54.03	0.562 73.84	0.688 89.46	0.844 108.32	1.000 126.67	1.125 140.98	1.312 161.77	0.375 50.03	0.500 66.03	1.000 126.67
14" 14.000	0.156 23.28	0.188 27.99	*	**	0.250 37.06	0.312 46.04	0.375 55.08	0.438 64.03	0.594 85.84	0.750 107.13	0.938 132.08	1.094 152.2	1.250 171.81	1.406 190.88	0.375 55.08	0.500 72.77	
16" 16.000	0.165 28.17	0.188 32.05	*	**	0.250 42.45	0.312 52.76	0.375 63.16	0.500 83.55	0.656 108.51	0.844 137.89	1.031 166.37	1.219 194.23	1.438 225.73	1.594 247.54	0.375 63.16	0.500 83.55	
18" 18.000	0.165 31.72	0.188 36.10	*	**	0.250 47.84	0.312 59.49	0.438 82.92	0.562 105.65	0.750 139.47	0.938 172.52	1.156 209.9	1.375 246.42	1.562 276.79	1.781 311.39	0.375 71.25	0.500 94.33	
20" 20.000	0.188 40.15	0.218 46.49	*	**	0.250 53.23	0.375 79.33	0.500 105.11	0.594 124.26	0.812 167.96	1.031 210.82	1.281 258.49	1.500 299.15	1.750 344.29	1.969 382.72	0.375 79.33	0.500 105.11	
24" 24.000	0.218 55.89	0.250 64.01	*	**	0.250 64.01	0.375 95.50	0.562 142.00	0.688 172.9	0.969 240.58	1.219 299.36	1.531 370.83	1.812 433.41	2.062 487.65	2.344 547.21	0.375 95.50	0.500 126.67	
30" 30.000	0.250 80.18	0.312 99.85	*	**	0.312 98.85	0.500 159.01	0.625 197.91								0.375 119.76	0.500 159.01	
36" 36.000					0.312 120.03	0.500 191.35	0.625 238.34	0.750 285.00							0.375 144.01	0.500 191.35	

*SEE STD WALL **SEE XS WALL



TYPE 304L SCHEDULES 5S, 10S

ALLOWABLE WORKING PRESSURES FOR A-312 WELDED PIPE

TYPE 304L Schedules 5S, 10S

TEMPERATURE °F.			- 425 to 300	400	500	600	650	700	750	800	850	900	950	1000	1050	1100	1150	1200	1250	1300	1350	1400	1450	1500		
MAX. STRESS			16700	15800	14800	14000	13700	13500	13300	13000	12800	11900	9900	7800	6300	5100	4000	3200	2600	2100	1700	1100	1000	900		
NOM. PIPE SIZE	SCH. NO.	NOM. WALL.	ALLOWABLE WORKING PRESSURES PSIG																							
			½	5S 10S	.065 .083	1809 2310	1712 2186	1603 2047	1517 1937	1484 1695	1463 1868	1441 1840	1408 1798	1387 1771	1289 1646	1073 1370	845 1079	683 872	553 706	433 553	347 443	282 360	226 291	184 235	119 152	108 138
¾	5S 10S	.065 .083	1447 1848	1389 1749	1283 1636	1213 1549	1187 1516	1170 1494	1153 1472	1127 1439	1109 1417	1031 1317	858 1096	676 863	546 697	442 564	347 443	277 354	225 288	182 232	147 188	95 122	87 111	78 100		
1	5S 10S	.065 .109	1156 1938	1093 1834	1024 1717	969 1625	948 1590	934 1567	920 1543	900 1509	886 1485	823 1381	835 1149	540 905	436 731	353 592	277 464	221 371	180 302	145 244	118 197	76 128	69 116	62 104		
1¼	5S 10S	.065 .109	915 1535	888 1452	811 1361	767 1287	751 1259	740 1241	729 1223	713 1195	702 1177	652 1094	543 910	426 717	345 579	280 469	219 368	175 294	143 239	115 193	93 156	60 101	55 92	49 83		
1½	5S 10S	.065 .109	800 1341	757 1269	709 1189	671 1124	656 1100	647 1064	637 1068	623 1044	613 1028	570 956	474 795	374 626	302 506	244 410	192 321	153 257	125 209	101 169	81 137	53 88	48 60	43 72		
2	5S 10S	.065 .109	640 1073	605 1015	587 951	538 900	525 880	517 867	510 855	498 835	490 822	456 765	379 636	299 501	241 405	195 328	153 257	123 206	100 167	80 135	65 109	42 71	38 64	34 58		
2½	5S 10S	.083 .120	675 976	639 923	598 865	566 818	554 801	546 789	538 777	525 760	517 748	481 695	400 579	315 456	255 388	206 298	162 234	129 187	105 152	85 123	69 99	44 64	40 58	36 53		
3	5S 10S	.083 .120	554 802	525 758	491 710	465 672	455 658	448 648	442 638	432 624	425 614	395 571	329 475	259 374	209 302	169 245	133 192	106 154	86 125	70 101	56 82	37 53	33 48	30 43		
3½	5S 10S	.083 .120	485 701	459 664	430 622	407 588	398 575	392 567	386 559	378 546	372 538	346 500	288 416	227 328	183 265	148 214	116 168	93 134	76 109	61 88	49 71	32 46	29 42	26 38		
4	5S 10S	.083 .120	431 623	408 590	382 553	362 523	354 511	349 504	343 497	336 485	331 478	307 444	256 370	201 291	163 235	132 190	103 149	83 119	67 97	54 78	44 63	28 41	26 37	23 34		
5	5S 10S	.109 .134	458 583	433 533	406 499	384 472	376 462	370 455	365 449	357 438	351 432	326 401	272 334	214 263	173 212	140 172	110 135	88 108	71 88	58 71	47 57	30 37	27 34	25 30		
6	5S 10S	.109 .134	385 473	364 447	341 419	322 396	316 388	311 362	306 377	299 368	295 362	274 337	228 260	180 221	145 178	117 144	92 113	74 91	60 74	48 59	39 48	25 31	23 28	21 25		
8	5S 10S	.109 .148	295 401	280 380	262 356	248 336	242 329	239 324	235 320	230 312	226 307	211 286	175 238	138 187	111 151	90 123	71 96	57 77	46 62	37 50	30 41	19 26	18 24	16 22		
10	5S 10S	.134 .165	291 359	278 340	258 318	244 301	239 294	236 290	232 286	227 279	223 275	208 256	173 213	138 168	110 135	89 110	70 86	58 69	45 56	37 45	30 37	19 24	17 21	16 19		
12	5S 10S	.156 .180	286 330	271 312	254 293	240 277	235 271	231 267	228 263	223 257	219 253	204 235	170 196	134 154	108 125	87 101	69 79	55 63	45 51	36 42	29 34	19 22	17 20	15 18		
14	5S 10S	.156 .188	261 314	246 297	231 276	218 263	214 258	211 254	207 250	203 244	200 241	186 224	154 186	122 147	98 118	80 96	62 75	50 60	41 49	33 39	27 32	17 21	16 19	14 17		
16	5S 10S	.165 .188	241 275	228 260	214 243	202 230	198 225	195 222	192 219	188 214	185 211	172 196	143 163	113 128	91 104	74 84	58 66	46 53	38 43	30 35	25 28	16 18	14 16	13 15		
18	5S 10S	.165 .188	214 244	203 231	190 216	180 205	176 200	173 197	171 194	167 190	164 187	153 174	127 145	100 114	81 92	65 75	51 58	41 47	33 38	27 31	22 25	14 16	13 15	12 13		
20	5S 10S	.188 .218	220 255	208 241	195 226	184 214	180 209	178 206	175 203	171 198	168 195	157 182	130 151	106 119	83 96	67 78	53 61	42 49	34 40	28 32	22 26	14 17	13 15	12 14		
24	5S 10S	.218 .250	212 244	201 230	188 216	178 204	174 200	172 197	169 194	165 190	163 187	151 174	126 144	99 114	80 92	65 74	51 58	41 47	33 38	27 31	22 25	14 16	13 15	11 13		

The Allowable Stress Values used are as shown in Appendix "A" of ANSI B31.3-1993 for welded pipe to ASTM A-312 having a weld joint factor of .80.
Allowable Working Pressures shown for each size reflect the minus 12½% manufacturers wall tolerance.



TYPE 304L SCHEDULES 40S, 80S

ALLOWABLE WORKING PRESSURES FOR A-312 WELDED PIPE

TYPE 304L Schedules 40S, 80S

TEMPERATURE °F.			- 425 to 300	400	500	600	650	700	750	800	850	900	950	1000	1050	1100	1150	1200	1250	1300	1350	1400	1450	1500	
MAX. STRESS			16700	15800	14800	14000	13700	13500	13300	13000	12800	11900	9900	7800	6300	5100	4000	3200	2600	2100	1700	1100	1000	900	
NOM. PIPE SIZE	SCH. NO.	NOM. WALL.	ALLOWABLE WORKING PRESSURES PSIG																						
			½	40S 80S	.109 .147	3034 4092	2870 3871	2689 3626	2543 3430	2489 3357	2453 3308	2146 3259	2362 3185	2325 3136	2162 2916	1799 2426	1417 1911	1145 1544	927 1250	727 980	581 784	472 637	382 515	309 417	200 270
¾	40S 80S	.113 .154	2516 3429	2381 3244	2230 3039	2109 2875	2064 2813	2034 2772	2004 2731	1959 2669	1929 2628	1793 2443	1492 2033	1175 1602	949 1294	768 1047	603 821	482 657	392 534	316 431	256 349	166 226	151 205	136 185	
1	40S 80S	.133 .179	2365 3183	2237 3011	2096 2820	1962 2668	1940 2611	1912 2573	1863 2535	1841 2477	1812 2439	1685 2268	1402 1887	1104 1486	892 1201	722 972	566 762	453 610	368 495	297 400	241 324	156 210	142 191	127 172	
1¼	40S 80S	.140 .191	1972 2690	1866 2545	1747 2384	1653 2255	1618 2207	1594 2175	1570 2142	1535 2094	1511 2062	1405 1917	1169 1595	921 1256	744 1015	602 822	472 644	376 515	307 419	248 338	201 274	130 177	118 161	106 145	
1½	40S 80S	.145 .200	1784 2461	1688 2328	1561 2181	1496 2063	1464 2019	1442 1989	1421 1960	1389 1916	1368 1886	1271 1754	1058 1459	833 1149	673 928	545 752	427 589	342 472	278 383	224 309	182 251	118 162	107 147	96 133	
2	40S 80S	.154 .218	1516 2146	1434 2030	1344 1902	1271 1799	1244 1761	1226 1735	1207 1709	1180 1671	1162 1645	1080 1529	899 1272	708 1002	572 810	463 655	363 514	290 411	236 334	191 270	154 218	100 141	91 129	82 116	
2½	40S 80S	.203 .276	1651 2244	1562 2124	1463 1989	1384 1882	1354 1841	1335 1814	1315 1788	1285 1747	1265 1720	1176 1599	979 1331	771 1048	623 847	504 685	395 538	316 430	257 349	208 282	168 228	109 148	99 134	89 121	
3	40S 80S	.216 .300	1443 2004	1365 1896	1279 1776	1210 1680	1184 1644	1166 1620	1149 1596	1123 1560	1106 1536	1028 1428	855 1188	674 938	544 756	441 612	348 480	276 384	225 312	181 252	147 204	95 132	86 120	78 108	
3½	40S 80S	.226 .318	1321 1859	1250 1759	1171 1647	1107 1558	1084 1525	1068 1503	1052 1460	1028 1447	1012 1425	941 1324	783 1102	617 868	498 701	403 568	316 445	253 356	206 289	166 234	134 169	87 122	79 111	71 100	
4	40S 80S	.237 .337	1231 1751	1165 1657	1091 1552	1032 1468	1010 1436	995 1415	981 1394	959 1363	944 1342	877 1248	730 1038	575 818	465 661	376 535	295 419	236 336	192 273	155 220	125 178	81 115	74 105	66 94	
5	40S 80S	.258 .375	1084 1576	1026 1491	961 1397	909 1321	890 1293	877 1274	864 1255	844 1227	831 1208	773 1123	643 934	506 738	409 595	331 481	260 377	208 302	169 245	136 198	110 160	71 104	65 94	58 85	
6	40S 80S	.280 .432	988 1525	935 1442	876 1351	828 1278	811 1251	799 1232	787 1214	769 1187	757 1169	704 1086	586 904	462 712	373 575	302 466	237 365	189 292	154 237	124 192	101 155	65 100	59 91	53 82	
8	40S 80S	.322 .500	873 1355	826 1262	774 1201	732 1136	716 1112	706 1096	695 1079	679 1055	669 1039	622 966	517 803	408 633	329 511	267 414	209 325	167 260	136 211	110 170	89 138	57 89	52 81	47 73	
10	40S 80S	.385 .500	794 1087	751 1029	704 984	665 912	651 892	642 879	632 866	618 847	608 833	586 775	471 645	371 508	299 410	242 332	190 260	152 208	124 169	100 137	81 111	52 72	48 65	43 59	
12	40S 80S	.375 .500	688 917	651 867	609 813	576 769	564 752	556 741	548 730	535 714	527 703	490 653	408 544	321 428	259 346	210 280	165 220	132 176	107 143	86 115	70 93	45 60	41 55	37 49	
14	40S 80S	.375 .500	626 835	593 790	555 740	525 700	514 685	506 675	499 665	488 650	480 640	446 595	371 495	293 390	236 315	191 255	150 200	120 160	98 130	79 105	64 85	41 55	38 50	34 45	
16	40S 80S	.375 .500	548 731	518 691	486 648	459 613	450 599	443 591	438 582	427 569	420 560	390 521	325 433	256 341	207 276	167 223	131 175	105 140	85 114	69 92	56 74	36 48	33 44	30 39	
18	40S 80S	.375 .500	487 649	461 614	432 576	408 544	400 533	394 525	388 517	379 506	373 498	347 463	289 385	228 303	184 245	149 198	117 156	93 124	76 101	61 82	50 66	32 43	29 39	26 35	
20	40S 80S	.375 .500	438 585	415 553	389 518	368 490	360 480	354 473	349 466	341 455	336 448	312 417	260 347	205 273	165 221	134 179	105 140	84 112	68 91	55 74	45 60	29 39	26 35	24 32	
24	40S 80S	.375 .500	365 487	346 461	324 432	306 408	300 400	295 394	291 388	284 379	280 373	260 347	217 289	171 228	138 184	112 149	88 117	70 93	57 76	46 61	37 50	24 32	22 29	20 26	

The Allowable Stress Values used are as shown in Appendix "A" of ANSI B31.3-1993 for welded pipe to ASTM A-312 having a weld joint factor of .80.

Allowable Working Pressures shown for each size reflect the minus 12½% manufacturers wall tolerance.



TYPE 316L SCHEDULES 5S, 10S

ALLOWABLE WORKING PRESSURES FOR A-312 WELDED PIPE

TYPE 316L Schedules 5S, 10S

TEMPERATURE °F.			- 425 to 300	400	500	600	650	700	750	800	850	900	950	1000	1050	1100	1150	1200	1250	1300	1350	1400	1450	1500	
MAX. STRESS			16700	15500	14400	13500	13200	12900	12600	12400	12100	11800	11500	11200	10800	10200	8800	6400	4700	3500	2500	1800	1300	1000	
NOM. PIPE SIZE	SCH. NO.	NOM. WALL.	ALLOWABLE WORKING PRESSURES PSIG																						
			½	5S 10S	.065 .083	1809 2310	1679 2144	1560 1992	1463 1888	1430 1826	1398 1785	1365 1743	1343 1715	1311 1674	1278 1632	1246 1591	1213 1549	1170 1494	1105 1411	953 1217	693 885	509 650	379 484	271 346	195 249
¾	5S 10S	.065 .083	1447 1848	1343 1715	1248 1594	1170 1494	1144 1461	1118 1428	1092 1394	1075 1372	1049 1339	1023 1306	997 1273	971 1239	936 1195	884 1129	763 974	555 708	407 520	303 387	217 277	158 199	113 144	87 111	
1	5S 10S	.065 .109	1156 1938	1073 1799	997 1671	934 1587	913 1532	893 1497	872 1462	858 1439	837 1404	817 1389	796 1335	775 1300	747 1253	706 1184	609 1021	443 743	325 545	242 406	173 290	125 209	90 151	69 116	
1¼	5S 10S	.065 .109	915 1535	850 1425	789 1324	740 1241	724 1213	707 1186	691 1158	680 1140	663 1112	647 1085	630 1057	614 1030	592 993	559 938	482 809	351 588	258 432	192 322	137 230	55 165	71 120	55 92	
1½	5S 10S	.065 .109	800 1341	742 1245	690 1157	647 1084	632 1060	618 1038	603 1012	594 996	580 972	565 948	551 924	538 900	517 887	489 819	421 707	307 514	225 377	168 281	120 201	86 145	62 104	48 80	
2	5S 10S	.065 .109	640 1073	594 996	552 925	517 867	506 848	494 829	483 810	475 797	464 777	452 758	441 739	429 720	414 694	391 655	337 565	245 411	180 302	134 225	96 161	69 116	50 84	38 64	
2½	5S 10S	.083 .120	675 976	626 906	582 841	546 789	534 771	521 754	509 736	501 725	489 707	477 690	465 672	453 654	437 631	412 596	356 514	259 374	190 275	141 205	101 146	73 105	53 76	40 58	
3	5S 10S	.083 .120	554 802	515 744	478 691	448 648	438 634	428 619	418 605	412 595	402 581	392 566	382 552	372 538	359 518	339 490	292 422	212 307	156 226	116 168	83 120	60 86	43 62	33 48	
3½	5S 10S	.083 .120	485 701	450 651	418 605	392 567	383 554	375 542	366 529	360 521	352 506	343 496	334 483	325 470	314 454	296 428	256 370	186 269	137 197	102 147	73 105	52 76	38 55	29 42	
4	5S 10S	.083 .120	431 623	400 579	372 538	349 504	341 493	333 482	325 470	320 463	312 452	305 441	297 429	289 418	279 403	263 381	227 329	165 239	121 175	90 131	65 93	46 67	34 49	26 37	
5	5S 10S	.109 .134	458 563	425 523	395 486	370 455	362 445	354 435	346 425	340 418	332 408	324 398	315 388	307 378	296 364	280 344	241 297	176 216	129 158	96 118	69 84	49 61	36 44	27 34	
6	5S 10S	.109 .134	385 473	357 439	332 408	311 362	304 374	297 365	290 357	286 351	279 343	272 334	265 326	258 317	249 306	235 289	203 249	147 181	108 133	81 99	58 71	41 51	30 37	23 28	
8	5S 10S	.109 .148	295 401	274 372	255 346	239 324	234 317	228 310	223 303	219 298	214 291	209 263	203 276	198 269	191 259	180 245	158 211	113 154	83 113	62 84	44 60	32 43	23 31	18 24	
10	5S 10S	.134 .165	291 359	270 333	251 309	236 290	230 284	225 277	220 271	216 266	211 260	206 254	201 247	195 241	188 232	178 219	154 189	112 138	82 101	61 75	44 54	31 39	23 28	17 21	
12	5S 10S	.156 .180	286 330	266 308	247 285	231 267	226 261	221 255	216 249	212 245	207 239	202 233	197 227	192 221	185 213	175 202	151 174	110 126	81 93	60 69	43 49	31 36	22 26	17 20	
14	5S 10S	.156 .188	261 314	242 291	225 271	211 254	206 248	201 243	197 237	193 233	189 227	184 222	179 216	175 211	168 203	159 192	137 165	100 120	73 88	55 66	39 47	28 34	20 24	16 19	
16	5S 10S	.165 .188	241 275	224 255	208 237	195 222	191 217	186 212	182 207	179 204	175 199	170 194	168 189	162 184	156 178	147 168	127 145	92 105	68 77	51 58	36 41	26 30	19 21	14 16	
18	5S 10S	.165 .188	214 244	199 227	185 211	173 197	169 193	166 189	162 184	159 181	155 177	151 173	148 168	144 164	139 158	131 149	113 129	85 94	60 69	45 51	32 37	23 26	17 19	13 15	
20	5S 10S	.188 .218	220 255	204 237	190 220	178 206	174 201	170 197	166 192	163 189	159 185	155 180	151 175	147 171	142 165	134 156	116 134	84 96	62 72	46 53	33 38	24 27	17 20	13 15	
24	5S 10S	.218 .250	212 244	197 226	183 210	172 197	168 193	164 188	160 184	158 181	154 176	150 172	146 168	142 163	137 158	130 149	112 128	81 93	60 69	45 51	32 36	23 26	17 19	13 15	

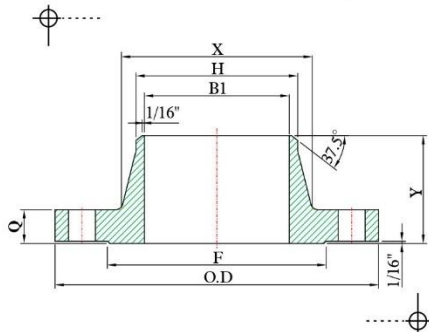
The Allowable Stress Values used are as shown in Appendix "A" of ANSI B31.3-1993 for welded pipe to ASTM A-312 having a weld joint factor of .80.
Allowable Working Pressures shown for each size reflect the minus 12½% manufacturers wall tolerance.



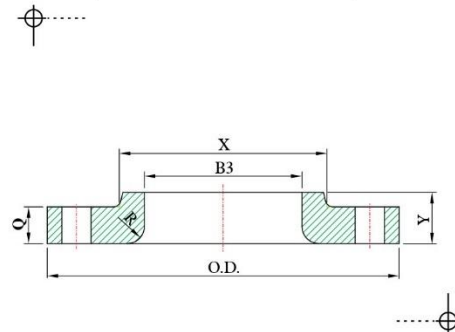
FLANGES ASTM A-182 ANSI B16.5 CLASS 150

cobrival.com

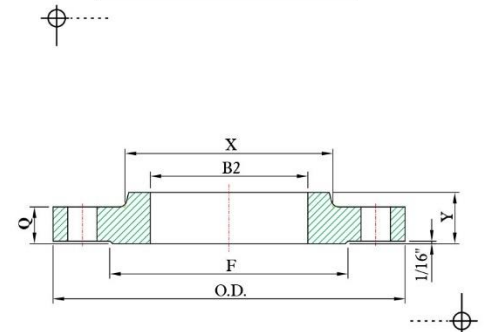
WELDING NECK



LAP JOINT



SLIP-ON



DIMENSIONS

unit : inch

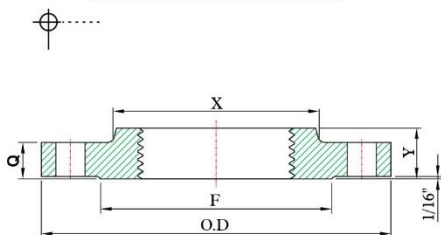
NOM. PIPE SIZE	FLANGE DIAMETER (O.D.)	FLANGE THICKNESS (Q) MIN. (1)	HUB DIA. AT BASE (X)	RAISED FACE DIA. (F)	HUB DIA. AT WELDING POINT (H)	BORE DIAMETER (B)			COUNTER BORE OF THREADED FLANGE (C)	DEPTH OF SOCKET (D)	LENGTH THROUGH HUB (Y)		
						(B1) WELDING NECK AND SOCKET WELD (2)	(B2) SLIP-ON AND SOCKET WELD MIN.	(B3) LAP JOINT MIN.			WELDING NECK	SLIP-ON SOCKET WELD AND THREADED	LAP JOINT
1/2	3.50	0.44	1.19	1.38	0.84	0.62	0.88	0.90	NO COUNTER BORE REQUIRED ON 150# THREADED FLANGES	0.38	1.88	0.62	0.62
3/4	3.88	0.50	1.50	1.69	1.05	0.82	1.09	1.11		0.44	2.06	0.62	0.62
1	4.25	0.56	1.94	2.00	1.32	1.05	1.36	1.38		0.50	2.19	0.69	0.69
1 1/4	4.62	0.62	2.31	2.50	1.66	1.38	1.70	1.72		0.56	2.25	0.81	0.81
1 1/2	5.00	0.69	2.56	2.88	1.90	1.61	1.95	1.97		0.62	2.44	0.88	0.88
2	6.00	0.75	3.06	3.62	2.38	2.07	2.44	2.46		0.69	2.50	1.00	1.00
2 1/2	7.00	0.88	3.56	4.12	2.88	2.47	2.94	2.97		0.75	2.75	1.12	1.12
3	7.50	0.94	4.25	5.00	3.50	3.07	3.57	3.60		0.81	2.75	1.19	1.19
3 1/2	8.50	0.94	4.81	5.50	4.00	3.55	4.07	4.10		0.88	2.81	1.25	1.25
4	9.00	0.94	5.31	6.19	4.50	4.03	4.57	4.60		0.94	3.00	1.31	1.31
5	10.00	0.94	6.44	7.31	5.56	5.05	5.66	5.69		0.94	3.50	1.44	1.44
6	11.00	1.00	7.56	8.50	6.63	6.07	6.72	6.75		1.06	3.50	1.56	1.56
8	13.50	1.12	9.69	10.62	8.63	7.98	8.72	8.75		1.25	4.00	1.75	1.75
10	16.00	1.19	12.00	12.75	10.75	10.02	10.88	10.92		1.31	4.00	1.94	1.94
12	19.00	1.25	14.38	15.00	12.75	12.00	12.88	12.92		1.56	4.50	2.19	2.19
14	21.00	1.38	15.75	16.25	14.00	13.25	14.14	14.18		1.63	5.00	2.25	3.12
16	23.50	1.14	18.00	18.50	16.00	15.25	16.16	16.19	1.75	5.00	2.50	3.44	
18	25.00	1.56	19.88	21.00	18.00	17.25	18.18	18.20	1.94	5.50	2.69	3.81	
20	27.50	1.69	22.00	23.00	20.00	19.25	20.20	20.25	2.12	5.69	2.88	4.06	
24	32.00	1.88	26.12	27.25	24.00	23.25	24.25	24.25	2.50	6.00	3.25	4.38	



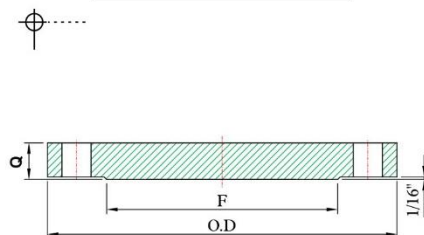
FLANGES ASTM A-182 ANSI B16.5 CLASS 150

cobrival.com

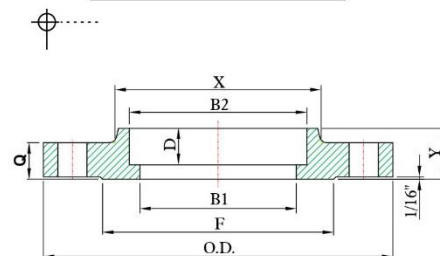
THREADED



BLIND



SOCKET WELD



DIMENSIONS

unit : inch

NOM. PIPE SIZE	MIN. THREAD LENGTH	RADIUS (R) LAP JOINT	DRILLING			BOLTING			
			DIAMETER OF BOLT CIRCLE	NO. OF HOLES	DIA. OF HOLES	DIA. OF BOLTS	MACHINE BOLT LENGTH	STUD BOLT LENGTH	
								Raised Face .06"	Ring Joint
1/2	0.62	0.12	2.38	4	0.62	1/2	2.00	2.50	-
3/4	0.62	0.12	2.75	4	0.62	1/2	2.25	2.50	-
1	0.69	0.12	3.12	4	0.62	1/2	2.25	2.75	3.25
1 1/4	0.81	0.19	3.50	4	0.62	1/2	2.50	2.75	3.25
1 1/2	0.88	0.25	3.88	4	0.62	1/2	2.50	3.00	3.50
2	1.00	0.31	4.75	4	0.75	5/8	2.75	3.25	3.75
2 1/2	1.12	0.31	5.50	4	0.75	5/8	3.00	3.50	4.00
3	1.19	0.38	6.00	4	0.75	5/8	3.25	3.75	4.25
3 1/2	1.25	0.38	7.00	8	0.75	5/8	3.25	3.75	4.25
4	1.31	0.44	7.50	8	0.75	5/8	3.25	3.75	4.25
5	1.44	0.50	8.50	8	0.88	3/4	3.25	4.00	4.50
6	1.56	0.50	9.50	8	0.88	3/4	3.50	4.00	4.50
8	1.75	0.50	11.75	8	0.88	3/4	3.75	4.25	4.75
10	1.94	0.50	14.25	12	1.00	7/8	4.00	4.75	5.25
12	2.19	0.50	17.00	12	1.00	7/8	4.25	4.75	5.25
14	2.25	0.50	18.75	12	1.12	1	4.50	5.25	5.75
16	2.50	0.50	21.25	16	1.12	1	4.75	5.50	6.00
18	2.69	0.50	22.75	16	1.25	1 1/8	5.00	6.00	6.50
20	2.88	0.50	25.00	20	1.25	1 1/8	5.50	6.25	6.75
24	3.25	0.50	29.50	20	1.38	1 1/4	6.00	7.00	7.50

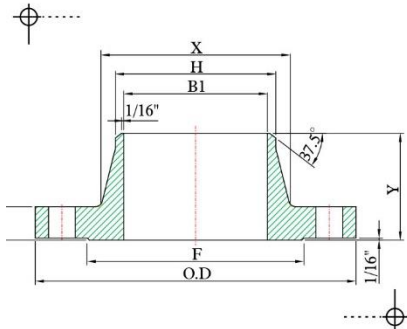
NOM. PIPE SIZE	APPROXIMATE WEIGHT EACH— POUNDS ±			
	WELDING NECK	SLIP-ON SOCKET WELD AND THREADED	LAP JOINT	BLIND
1/2	1.25	1.00	1.00	1.25
3/4	2.00	1.50	1.50	1.50
1	2.50	2.00	2.00	2.00
1 1/4	3.00	3.00	3.00	3.00
1 1/2	4.50	3.00	3.50	4.00
2	6.00	5.25	5.00	6.50
2 1/2	10.00	8.00	7.00	9.50
3	12.00	9.00	9.25	12.50
3 1/2	12.00	11.00	11.00	13.00
4	16.50	12.50	12.50	17.00
5	19.00	15.00	15.00	20.00
6	25.00	19.00	19.00	26.50
8	39.00	30.00	30.00	45.00
10	52.00	43.00	43.00	70.00
12	80.00	64.00	64.00	110.00
14	110.00	90.00	105.00	140.00
16	140.00	98.00	140.00	180.00
18	150.00	130.00	160.00	220.00
20	180.00	165.00	195.00	285.00
24	260.00	220.00	275.00	430.00



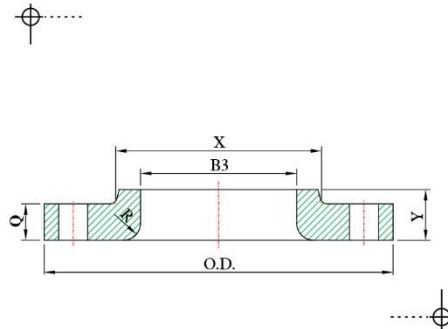
FLANGES ASTM A-182 ANSI B16.5 CLASS 300

cobrival.com

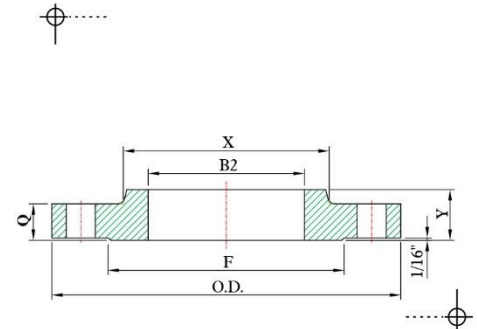
WELDING NECK



LAP JOINT



SLIP-ON



DIMENSIONS

unit : inch

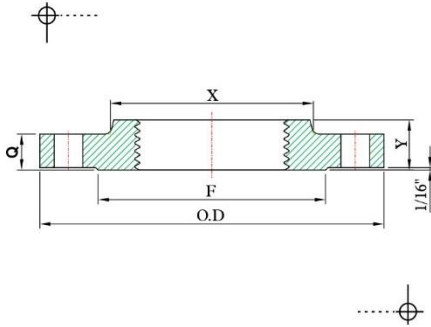
NOM. PIPE SIZE	FLANGE DIAMETER (O.D.)	FLANGE THICKNESS (Q) MIN. (1)	HUB DIA. AT BASE (X)	RAISED FACE DIA. (F)	HUB DIA. AT WELDING POINT (H)	BORE DIAMETER (B)			COUNTER BORE OF THREADED FLANGE (C) MIN.	DEPTH OF SOCKET (D)	LENGTH THROUGH HUB (Y)		
						(B1) WELDING NECK AND SOCKET WELD (2)	(B2) SLIP-ON AND SOCKET WELD MIN.	(B3) LAP JOINT MIN.			WELDING NECK	SLIP-ON SOCKET WELD AND THREADED	LAP JOINT
1/2	3.75	0.56	1.50	1.38	0.84	0.62	0.88	0.90	0.93	0.38	2.06	0.88	0.88
3/4	4.62	0.62	1.88	1.69	1.05	0.82	1.09	1.11	1.14	0.44	2.25	1.00	1.00
1	4.88	0.69	2.12	2.00	1.32	1.05	1.36	1.38	1.41	0.50	2.44	1.06	1.06
1 1/4	5.25	0.75	2.50	2.50	1.66	1.38	1.70	1.72	1.75	0.56	2.56	1.06	1.06
1 1/2	6.12	0.81	2.75	2.88	1.90	1.61	1.95	1.97	1.99	0.62	2.69	1.19	1.19
2	6.50	0.88	3.31	3.62	2.38	2.07	2.44	2.46	2.50	0.69	2.75	1.31	1.31
2 1/2	7.50	1.00	3.94	4.12	2.88	2.47	2.94	2.97	3.00	0.75	3.00	1.50	1.50
3	8.25	1.12	4.62	5.00	3.50	3.07	3.57	3.60	3.63	0.81	3.12	1.69	1.69
3 1/2	9.00	1.19	5.25	5.50	4.00	3.55	4.07	4.10	4.13	-	3.19	1.75	1.75
4	10.00	1.25	5.75	6.19	4.50	4.03	4.57	4.60	4.63	-	3.38	1.88	1.88
5	11.00	1.38	7.00	7.31	5.56	5.05	5.66	5.69	5.69	-	3.88	2.00	2.00
6	12.50	1.44	8.12	8.50	6.63	6.07	6.72	6.75	6.75	-	3.88	2.06	2.06
8	15.00	1.62	10.25	10.62	8.63	7.98	8.72	8.75	8.75	-	4.38	2.44	2.44
10	17.50	1.88	12.62	12.75	10.75	10.02	10.88	10.92	10.88	-	4.62	2.62	3.75
12	20.50	2.00	14.75	15.00	12.75	12.00	12.88	12.92	12.94	-	5.12	2.88	4.00
14	23.00	2.12	16.75	16.25	14.00	13.25	14.14	14.18	14.19	-	5.62	3.00	4.38
16	25.50	2.25	19.00	18.50	16.00	15.25	16.16	16.19	16.19	-	5.75	3.25	4.75
18	28.00	2.38	21.00	21.00	18.00	17.25	18.18	18.20	18.19	-	6.25	3.50	5.12
20	30.50	2.50	23.12	23.00	20.00	19.25	20.20	20.25	20.19	-	6.38	3.75	5.50
24	36.00	2.75	27.62	27.25	24.00	23.25	24.25	24.25	24.19	-	6.62	4.19	6.00



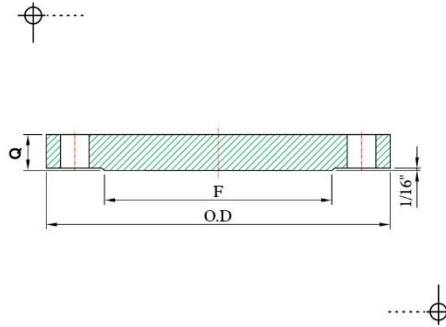
FLANGES ASTM A-182 ANSI B16.5 CLASS 300

cobrival.com

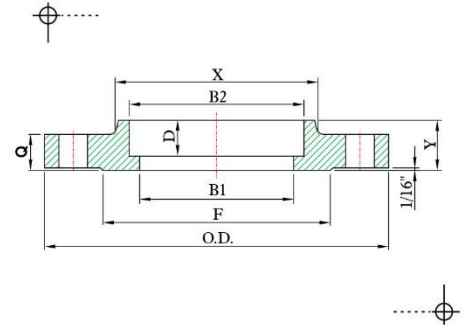
THREADED



BLIND



SOCKET WELD



DIMENSIONS

unit : inch

NOM. PIPE SIZE	MIN. THREAD LENGTH	RADIUS (R) LAP JOINT	DRILLING			BOLTING			
			DIAMETER OF BOLT CIRCLE	NO. OF HOLES	DIA. OF HOLES	DIA. OF BOLTS	MACHINE BOLT LENGTH		STUD BOLT LENGTH
							Raised Face .06"	Ring Joint	
1/2	0.62	0.12	2.62	4	0.62	1/2	2.25	2.75	3.00
3/4	0.62	0.12	3.25	4	0.75	5/8	2.50	3.00	3.50
1	0.69	0.12	3.50	4	0.75	5/8	2.75	3.25	3.75
1 1/4	0.81	0.19	3.88	4	0.75	5/8	2.75	3.25	3.75
1 1/2	0.88	0.25	4.50	4	0.88	3/4	3.00	3.75	4.25
2	1.00	0.31	5.00	8	0.75	5/8	3.00	3.50	4.25
2 1/2	1.12	0.31	5.88	8	0.88	3/4	3.50	4.00	4.75
3	1.19	0.38	6.62	8	0.88	3/4	3.75	4.25	5.00
3 1/2	1.25	0.38	7.25	8	0.88	3/4	3.75	4.50	5.25
4	1.31	0.44	7.88	8	0.88	5/8	4.00	4.50	5.25
5	1.44	0.50	9.25	8	0.88	3/4	4.25	4.75	5.50
6	1.56	0.50	10.62	12	0.75	3/4	4.25	5.00	5.75
8	1.75	0.50	13.00	12	0.88	7/8	4.75	5.50	6.25
10	1.94	0.50	15.25	16	1.00	1	5.50	6.25	7.00
12	2.19	0.50	17.25	16	1.00	1 1/8	6.00	6.75	7.50
14	2.25	0.50	20.25	20	1.12	1 1/8	6.25	7.00	7.75
16	2.50	0.50	22.50	20	1.12	1 1/4	6.50	7.50	8.25
18	2.69	0.50	24.75	24	1.25	1 1/4	6.75	7.75	8.50
20	2.88	0.50	27.00	24	1.25	1 1/4	7.25	8.25	9.00
24	3.25	0.50	32.00	24	1.38	1 1/2	8.00	9.25	10.25

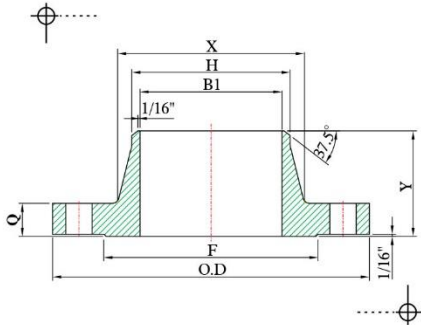
NOM. PIPE SIZE	APPROXIMATE WEIGHT EACH— POUNDS ±			
	WELDING NECK	SLIP-ON, SOCKET WELD AND THREADED	LAP JOINT	BLIND
1/2	2	2	2	2
3/4	3	3	3	3
1	4	3	3	3
1 1/4	5	4	4	4
1 1/2	7	6	6	6
2	9	7	7	8
2 1/2	12	10	10	12
3	15	13	13	16
3 1/2	18	17	17	21
4	25	22	22	27
5	32	28	28	35
6	42	39	39	50
8	67	58	58	81
10	91	81	91	125
12	140	115	140	185
14	180	165	190	250
16	250	190	250	295
18	320	250	295	395
20	400	315	370	505
24	580	475	550	790



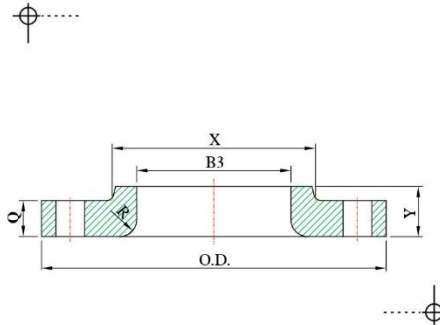
FLANGES ASTM A-182 ANSI B16.5 CLASS 600

cobrival.com

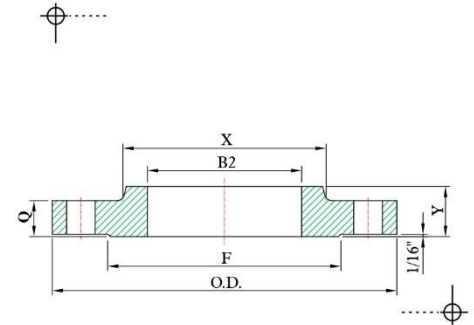
WELDING NECK



LAP JOINT



SLIP-ON



DIMENSIONS

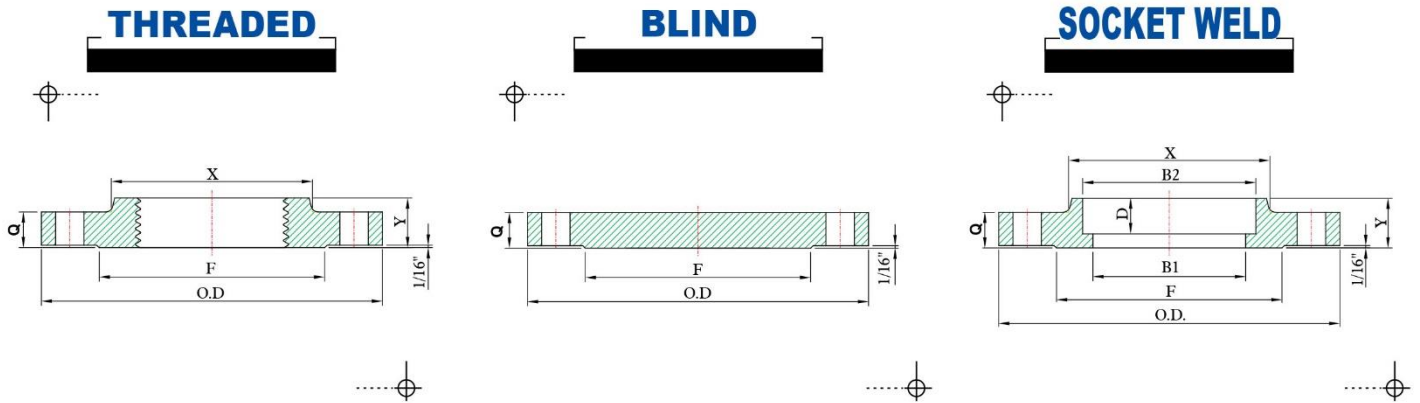
unit : inch

NOM. PIPE SIZE	FLANGE DIAMETER (O.D.)	FLANGE THICKNESS (Q) MIN. (1)	HUB DIA. AT BASE (X)	RAISED FACE DIA. (F)	HUB DIA. AT WELDING POINT (H)	BORE DIAMETER (B)			COUNTER BORE OF THREADED FLANGE (C) MIN.	DEPTH OF SOCKET (D)	LENGTH THROUGH HUB (Y)		
						(B1) WELDING NECK AND SOCKET WELD (2)	(B2) SLIP-ON AND SOCKET WELD MIN.	(B3) LAP JOINT MIN.			WELDING NECK	SLIP-ON SOCKET WELD AND THREADED	LAP JOINT
1/2	3.75	0.56	1.50	1.38	0.84	TO BE SPECIFIED BY PURCHASER	0.88	0.90	0.93	0.38	2.06	0.88	0.88
3/4	4.62	0.62	1.88	1.69	1.05		1.09	1.11	1.14	0.44	2.25	1.00	1.00
1	4.88	0.69	2.12	2.00	1.32		1.36	1.38	1.41	0.50	2.44	1.06	1.06
1 1/4	5.25	0.81	2.50	2.50	1.66		1.70	1.72	1.75	0.56	2.62	1.12	1.12
1 1/2	6.12	0.88	2.75	2.88	1.90		1.95	1.97	1.99	0.62	2.75	1.25	1.25
2	6.50	1.00	3.31	3.62	2.38		2.44	2.46	2.50	0.69	2.88	1.44	1.44
2 1/2	7.50	1.12	3.94	4.12	2.88		2.94	2.97	3.00	0.75	3.12	1.62	1.62
3	8.25	1.25	4.62	5.00	3.50		3.57	3.60	3.63	0.81	3.25	1.81	1.81
3 1/2	9.00	1.38	5.25	5.50	4.00		4.07	4.10	4.13	-	3.38	1.94	1.94
4	10.75	1.50	6.00	6.19	4.50		4.57	4.60	4.63	-	4.00	2.12	2.12
5	13.00	1.75	7.44	7.31	5.56		5.66	5.69	5.69	-	4.50	2.38	2.38
6	14.00	1.88	8.75	8.50	6.63		6.72	6.75	6.75	-	4.62	2.62	2.62
8	16.50	2.19	10.75	10.62	8.63		8.72	8.75	8.75	-	5.25	3.00	3.00
10	20.00	2.50	13.50	12.75	10.75		10.88	10.92	10.88	-	6.00	3.38	4.38
12	22.00	2.62	15.75	15.00	12.75		12.88	12.92	12.94	-	6.12	3.62	4.62
14	23.75	2.75	17.00	16.25	14.00		14.14	14.18	14.19	-	6.50	3.69	5.00
16	27.00	3.00	19.50	18.50	16.00		16.16	16.19	16.19	-	7.00	4.19	5.50
18	29.25	3.25	21.50	21.00	18.00		18.18	18.20	18.19	-	7.25	4.62	6.00
20	32.00	3.50	24.00	23.00	20.00		20.20	20.25	20.19	-	7.50	5.00	6.50
24	37.00	4.00	28.25	27.25	24.00		24.25	24.25	24.19	-	8.00	5.50	7.25



FLANGES ASTM A-182 ANSI B16.5 CLASS 600

cobrival.com



DIMENSIONS

unit : inch

NOM. PIPE SIZE	MIN. THREAD LENGTH	RADIUS (R) LAP JOINT	DRILLING			BOLTING			
			DIAMETER OF BOLT CIRCLE	NO. OF HOLES	DIA. OF HOLES	DIA. OF BOLTS	MACHINE BOLT LENGTH	STUD BOLT LENGTH	
								Raised Face .06"	Ring Joint
1/2	0.62	0.12	2.62	4	0.62	1/2	3.25	3.00	3.00
3/4	0.62	0.12	3.25	4	0.75	5/8	3.50	3.25	3.50
1	0.69	0.12	3.50	4	0.75	5/8	3.75	3.50	3.75
1 1/4	0.81	0.19	3.88	4	0.75	5/8	4.00	3.75	4.00
1 1/2	0.88	0.25	4.50	4	0.88	3/4	4.25	4.00	4.25
2	1.12	0.31	5.00	8	0.75	5/8	4.25	4.00	4.50
2 1/2	1.25	0.31	5.88	8	0.88	3/4	4.75	4.50	5.00
3	1.38	0.38	6.62	8	0.88	3/4	5.00	4.75	5.25
3 1/2	1.56	0.38	7.25	8	1.00	7/8	5.50	5.25	5.75
4	1.62	0.44	8.50	8	1.00	7/8	5.75	5.50	6.00
5	1.88	0.44	10.50	8	1.12	1	6.50	6.25	6.75
6	2.00	0.50	11.50	12	1.12	1	6.75	6.50	7.00
8	2.25	0.50	13.75	12	1.25	1 1/8	7.75	7.50	7.75
10	2.56	0.50	17.00	16	1.38	1 1/4	8.50	8.25	8.75
12	2.75	0.50	19.25	20	1.38	1 1/4	8.75	8.50	9.00
14	2.88	0.50	20.75	20	1.50	1 3/8	9.25	9.00	9.50
16	3.06	0.50	23.75	20	1.62	1 1/2	10.00	9.75	10.25
18	3.12	0.50	25.75	20	1.75	1 5/8	10.75	10.50	11.00
20	3.25	0.50	28.50	24	1.75	1 5/8	11.50	11.25	11.75
24	3.62	0.50	33.00	24	2.00	1 7/8	13.00	12.75	13.25

NOM. PIPE SIZE	APPROXIMATE WEIGHT EACH – POUNDS ±			
	WELDING NECK	SLIP-ON. SOCKET WELD AND THREADED	LAP JOINT	BLIND
1/2	2	2	2	2
3/4	4	3	3	3
1	4	4	4	4
1 1/4	6	5	5	5
1 1/2	8	7	7	8
2	12	9	9	10
2 1/2	18	13	12	15
3	23	16	15	20
3 1/2	26	21	20	29
4	42	37	36	41
5	68	63	61	68
6	81	80	78	86
8	120	115	110	140
10	190	170	170	230
12	225	200	200	295
14	280	230	250	355
16	390	330	365	495
18	475	400	435	630
20	590	510	570	810
24	830	730	810	1250



TUBING SEAMLESS ASTM A-269 & A-213

cobrival.com

Referencia para solicitar Tubing

Tubing OD (in)	Espesor de pared (in)	Calibre	Número de Parte	Peso (Lb/ft)
1/8"	0.035"	20	316L-0125X0350-S	0.0330
3/16"	0.035"	20	316L-0187X0350-S	0.0570
	0.049"	18	316L-0187X0490-S	0.0727
1/4"	0.035"	20	316L-0250X0350-S	0.0840
	0.049"	18	316L-0250X0490-S	0.1052
	0.065"	16	316L-0250X0650-S	0.1284
5/16"	0.035"	20	316L-0312X0350-S	0.1037
	0.049"	18	316L-0312X0490-S	0.1441
	0.065"	16	316L-0312X0650-S	0.1720
3/8"	0.035"	20	316L-0375X0350-S	0.1271
	0.049"	18	316L-0375X0490-S	0.1706
	0.065"	16	316L-0375X0650-S	0.2152
1/2"	0.035"	20	316L-0500X0350-S	0.1738
	0.049"	18	316L-0500X0490-S	0.2360
	0.065"	16	316L-0500X0650-S	0.3020
5/8"	0.035"	20	316L-0625X0350-S	0.2205
	0.049"	18	316L-0625X0490-S	0.3014
	0.065"	16	316L-0625X0650-S	0.3888
3/4"	0.035"	20	316L-0750X0350-S	0.2673
	0.049"	18	316L-0750X0490-S	0.3668
	0.065"	16	316L-0750X0650-S	0.4755
	0.083"	14	316L-0750X0650-S	0.5913
	0.095"	13	316L-0750X0650-S	0.6646
1"	0.035"	20	316L-1000X0350-S	0.3607
	0.049"	18	316L-1000X0490-S	0.4977
	0.065"	16	316L-1000X0650-S	0.6491
	0.083"	14	316L-1000X0650-S	0.8129
	0.095"	13	316L-1000X0650-S	0.9182
8mm	1mm	20	316L-8MMX1MM-S	0.1170
	2mm	18	316L-8MMX2MM-S	0.1630
10mm	1mm	20	316L-10MMX1MM-S	0.1500
	2mm	18	316L-10MMX2MM-S	0.2670
12mm	1mm	20	316L-12MMX1MM-S	0.1830
	2mm	18	316L-12MMX2MM-S	0.3340

Opciones:

Designador de Materiales

* 316L /316	316L
* 304L /304	304L
* Monel 400	Mone

Tipo de Fusión

* Con Costura (welded)	-W
* Sin Costura (Seamless)	-S

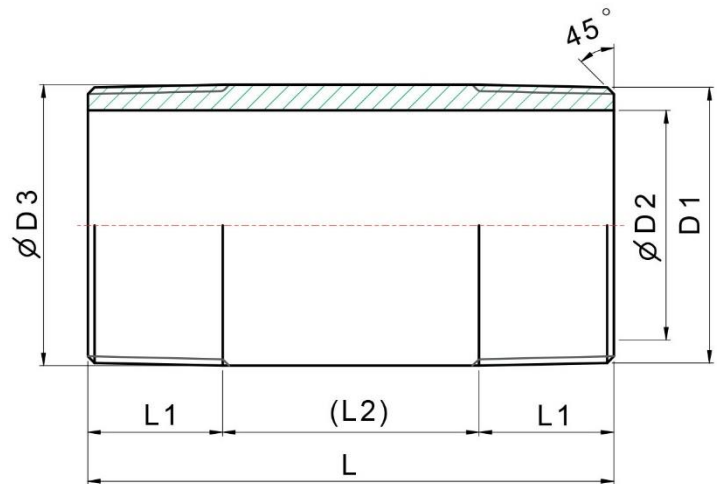
Presentación

* En tramos 6.1 metros (20Fts)	estandar
* En rollo (long. +15% / -5%)	-C



NIPPLES WELDED & SEAMLESS ASTM A-733

cobrival.com



DESIGN FEATURES:

- 🔴 THREAD: NPT
- 🔴 STOCK SCH40 & SCH80
- 🔴 T.O.E. odd length and other schedule nipple can be made upon request.

STAINLESS STEEL NIPPLE TYPE A/SA312 NIPPLE

DIA. (INCH)	LENGTH (INCH)																
	CLOSE	1.5"	2"	2.5"	3"	3.5"	4"	4.5"	5"	5.5"	6"	7"	8"	9"	10"	11"	12"
1/8"	X	X	X	X	X	X	X	X	X	X	X	X	X	X	X	X	X
1/4"	X	X	X	X	X	X	X	X	X	X	X	X	X	X	X	X	X
3/8"	X	X	X	X	X	X	X	X	X	X	X	X	X	X	X	X	X
1/2"	X	X	X	X	X	X	X	X	X	X	X	X	X	X	X	X	X
3/4"	X	X	X	X	X	X	X	X	X	X	X	X	X	X	X	X	X
1"	X		X	X	X	X	X	X	X	X	X	X	X	X	X	X	X
1 1/4"	X		X	X	X	X	X	X	X	X	X	X	X	X	X	X	X
1 1/2"	X		X	X	X	X	X	X	X	X	X	X	X	X	X	X	X
2"	X		X	X	X	X	X	X	X	X	X	X	X	X	X	X	X
2 1/2"	X				X	X	X	X	X	X	X	X	X	X	X	X	X
3"	X				X	X	X	X	X	X	X	X	X	X	X	X	X
4"	X					X	X	X	X	X	X	X	X	X	X	X	X

x-stocking size



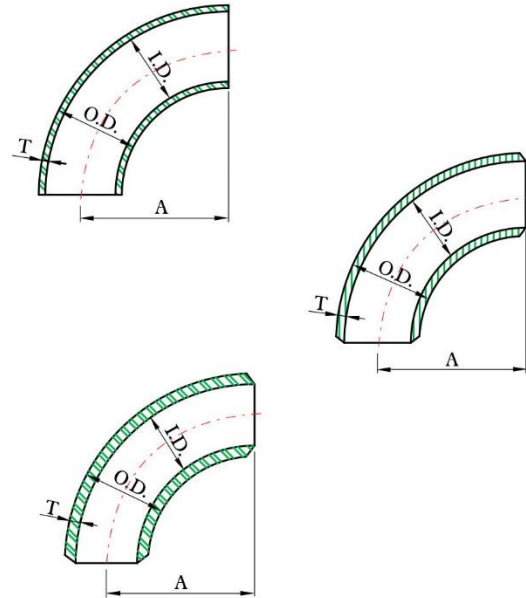
Av. Agrupamiento "I" No. 17 Col. Aragón Narciso Bassols Del. Gustavo A. Madero C.P. 07980 CDMX
 Conmutador. 55 5839 2588 / 5839 7821 / 5839 4891
 ventas@cobrival.com | www.cobrival.com



FITTINGS WELDED & SEAMLESS ASTM A-403

90° LONG RADIUS ELBOW

cobrival.com



DIMENSIONS

unit : inch

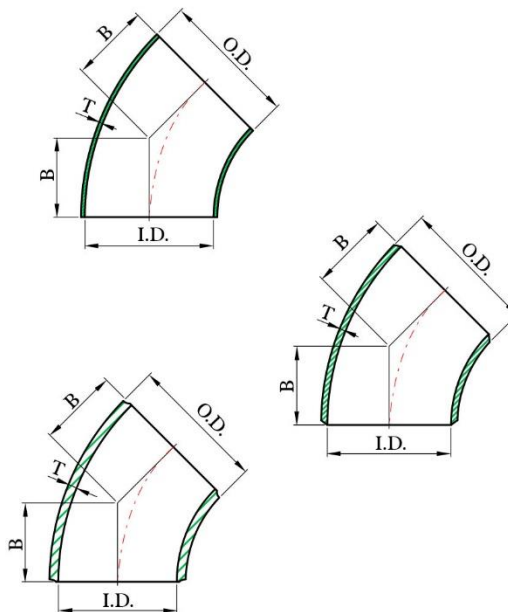
Nominal pipe size	Outside diameter (O.D.)	Center to face (A)	Schedule 5S			Schedule 10S			Schedule 40S		
			Inside diameter (I.D.)	Wall thickness (T)	Approx. weight **	Inside diameter (I.D.)	Wall thickness (T)	Approx. weight **	Inside diameter (I.D.)	Wall thickness (T)	Approx. weight **
1/2	.840	1-1/2	.710	.065	.12	.674	.083	.14	.622	.109	.18
3/4	1.050	1-1/2	.920	.065	.13	.884	.083	.15	.824	.113	.19
1	1.315	1-1/2	1.185	.065	.19	1.097	.109	.30	1.049	.133	.35
1-1/4	1.660	1-7/8	1.530	.065	.31	1.442	.109	.50	1.380	.140	.56
1-1/2	1.900	2-1/4	1.770	.065	.38	1.682	.109	.69	1.610	.145	.88
2	2.375	3	2.245	.065	.64	2.157	.109	1.13	2.067	.154	1.56
2-1/2	2.875	3-3/4	2.709	.083	1.50	2.635	.120	1.88	2.469	.203	3.00
3	3.500	4-1/2	3.334	.083	2.00	3.260	.120	2.69	3.068	.216	4.81
3-1/2	4.000	5-1/4	3.834	.083	2.62	3.760	.120	3.75	3.548	.226	6.25
4	4.500	6	4.334	.083	3.31	4.260	.120	4.75	4.026	.237	9.19
5	5.563	7-1/2	5.345	.109	6.50	5.295	.134	8.00	5.047	.258	15.13
6	6.625	9	6.407	.109	10.00	6.357	.134	12.00	6.065	.280	24.00
8	8.625	12	8.407	.109	17.30	8.329	.148	23.50	7.981	.322	47.50
10	10.750	15	10.482	.134	32.00	10.420	.165	43.00	10.020	.365	85.00
12	12.750	18	12.438	.156	51.00	12.390	.180	60.00	12.000	.375	131.00
14	14.000	21	13.688	.156	68.00	13.624	.188	80.00	13.250	.375	155.00
16	16.000	24	15.670	.165	100.00	15.624	.188	105.00	15.250	.375	202.00
18	18.000	27	17.670	.165	125.00	17.624	.188	132.00	17.250	.375	269.00
20	20.000	30	19.624	.188	165.00	19.564	.218	220.00	19.250	.375	330.00
24	24.000	36	23.564	.218	280.00	23.500	.250	310.00	23.250	.375	464.00



FITTINGS WELDED & SEAMLESS ASTM A-403

45° LONG RADIUS ELBOW

cobrival.com



DIMENSIONS

unit : inch / lb

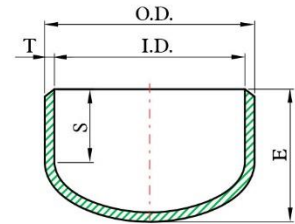
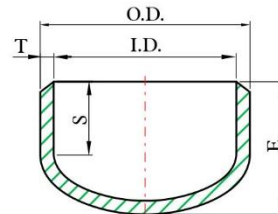
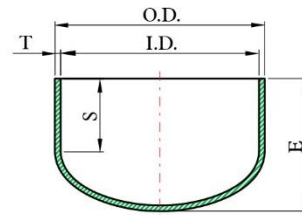
Nominal pipe size	Outside diameter (O.D.)	Center to face (B)	Schedule 5S			Schedule 10S			Schedule 40S		
			Inside diameter (I.D.)	Wall thickness (T)	Approx. weight **	Inside diameter (I.D.)	Wall thickness (T)	Approx. weight **	Inside diameter (I.D.)	Wall thickness (T)	Approx. weight **
1/2	.840	5/8	.710	.065	.06	.674	.083	.07	.622	.109	.09
3/4	1.050	7/16	.920	.065	.06	.884	.083	.07	.824	.113	.09
1	1.315	7/8	1.185	.065	.12	1.097	.109	.19	1.049	.133	.25
1-1/4	1.660	1	1.530	.065	.19	1.442	.109	.25	1.380	.140	.38
1-1/2	1.900	1-1/8	1.770	.065	.25	1.682	.109	.38	1.610	.145	.50
2	2.375	1-3/8	2.245	.065	.31	2.157	.109	.56	2.067	.154	.88
2-1/2	2.875	1-3/4	2.709	.083	.75	2.635	.120	1.06	2.469	.203	1.69
3	3.500	2	3.334	.083	1.06	3.260	.120	1.38	3.068	.216	2.38
3-1/2	4.000	2-1/4	3.834	.083	1.16	3.760	.120	1.66	3.548	.226	3.13
4	4.500	2-1/2	4.334	.083	1.66	4.260	.120	2.38	4.026	.237	4.60
5	5.563	3-1/8	5.345	.109	3.25	5.295	.134	4.00	5.047	.258	7.57
6	6.625	3-3/4	6.407	.109	5.00	6.357	.134	6.00	6.065	.280	12.00
8	8.625	5	8.407	.109	8.65	8.329	.148	11.75	7.981	.322	23.75
10	10.750	6-1/4	10.482	.134	16.00	10.420	.165	21.50	10.020	.365	42.50
12	12.750	7-1/2	12.438	.156	25.50	12.390	.180	30.00	12.000	.375	65.50
14	14.000	8-3/4	13.688	.156	34.00	13.624	.188	40.00	13.250	.375	77.50
16	16.000	10	15.670	.165	50.00	15.624	.188	52.50	15.250	.375	101.00
18	18.000	11-1/4	17.670	.165	62.50	17.624	.188	66.00	17.250	.375	131.00
20	20.000	12-1/2	19.624	.188	82.50	19.564	.218	110.00	19.250	.375	165.00
24	24.000	15	23.564	.218	140.00	23.500	.250	155.00	23.250	.375	232.00



FITTINGS WELDED & SEAMLESS ASTM A-403

CAP

cobrival.com



DIMENSIONS

unit : inch / lb

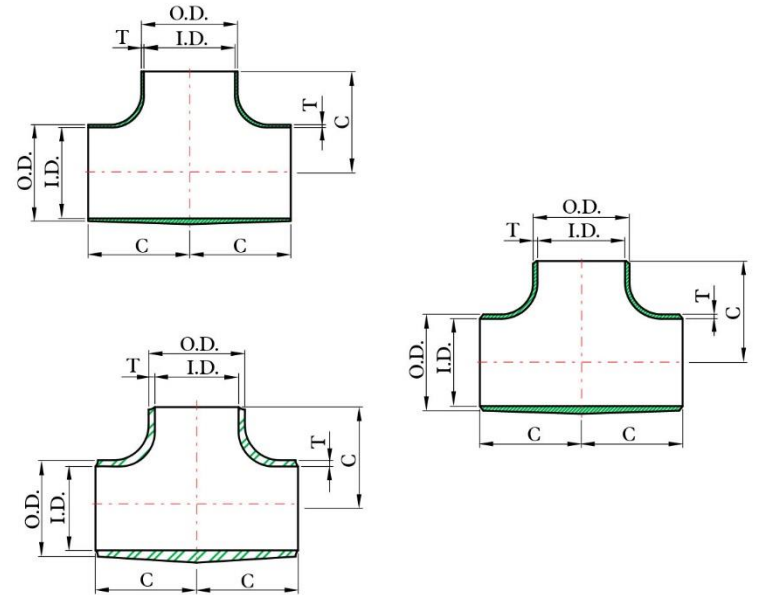
Nominal pipe size	Outside diameter (O.D.)	Length (E)	Tangent Length (S)	Schedule 5S			Schedule 10S			Schedule 40S		
				Inside diameter (I.D.)	Wall thickness (T)	Approx. weight * *	Inside diameter (I.D.)	Wall thickness (T)	Approx. weight * *	Inside diameter (I.D.)	Wall thickness (T)	Approx. weight * *
1/2	.840	1	.74	.710	.065	.08	.674	.083	.09	.622	.109	.10
3/4	1.050	1	.68	.920	.065	.11	.884	.083	.12	.824	.113	.13
1	1.315	1-1/2	1.10	1.185	.065	.18	1.097	.109	.19	1.049	.133	.28
1-1/4	1.660	1-1/2	1.02	1.530	.065	.20	1.442	.109	.28	1.380	.140	.38
1-1/2	1.900	1-1/2	.95	1.770	.065	.22	1.682	.109	.31	1.610	.145	.50
2	2.375	1-1/2	.83	2.245	.065	.36	2.157	.109	.38	2.067	.154	.60
2-1/2	2.875	1-1/2	.68	2.709	.083	.50	2.635	.120	.56	2.469	.203	1.00
3	3.500	2	1.02	3.334	.083	.86	3.260	.120	.88	3.068	.216	1.56
3-1/2	4.000	2-1/2	1.40	3.834	.083	1.20	3.760	.120	1.25	3.548	.226	2.25
4	4.500	2-1/2	1.26	4.334	.083	1.25	4.260	.120	1.44	4.026	.237	2.69
5	5.563	3	1.48	5.345	.109	2.00	5.295	.134	2.25	5.047	.258	4.06
6	6.625	3-1/2	1.70	6.407	.109	2.75	6.357	.134	3.00	6.065	.280	7.12
8	8.625	4	1.68	8.407	.109	4.50	8.329	.148	5.50	7.981	.322	12.50
10	10.750	5	2.13	10.482	.134	9.50	10.420	.165	10.80	10.020	.365	20.30
12	12.750	6	2.63	12.438	.156	14.00	12.390	.180	14.40	12.000	.375	28.80
14	14.000	6-1/2	2.81	13.688	.156	17.00	13.624	.188	18.00	13.250	.375	35.70
16	16.000	7	2.81	15.670	.165	30.00	15.624	.188	32.00	15.250	.375	48.50
18	18.000	8	3.31	17.670	.165	38.00	17.624	.188	39.60	17.250	.375	59.40
20	20.000	9	3.81	19.624	.188	55.00	19.564	.218	60.00	19.250	.375	75.00
24	24.000	10-1/2	4.31	23.564	.218	75.00	23.500	.250	76.00	23.250	.375	98.00



FITTINGS WELDED & SEAMLESS ASTM A-403

STRAIGHT TEE

cobrival.com



DIMENSIONS

unit : inch / lb

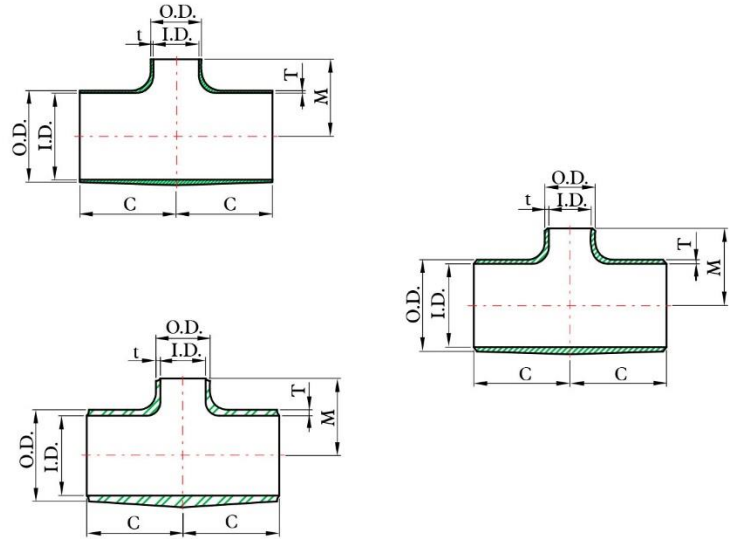
Nominal pipe size	Outside diameter (O.D.)	Center to end (C)	Schedule 5S			Schedule 10S			Schedule 40S		
			Inside diameter (I.D.)	Wall thickness (T)	Approx. weight **	Inside diameter (I.D.)	Wall thickness (T)	Approx. weight **	Inside diameter (I.D.)	Wall thickness (T)	Approx. weight **
1/2	.840	1	.710	.065	.19	.674	.083	.21	.622	.109	.23
3/4	1.050	1-1/8	.920	.065	.22	.884	.083	.28	.824	.113	.38
1	1.315	1-1/2	1.185	.065	.40	1.097	.109	.63	1.049	.133	.65
1-1/4	1.660	1-7/8	1.530	.065	.75	1.442	.109	1.10	1.380	.140	1.31
1-1/2	1.900	2-1/4	1.770	.065	.95	1.682	.109	1.50	1.610	.145	1.90
2	2.375	2-1/2	2.245	.065	1.20	2.157	.109	1.87	2.067	.154	2.83
2-1/2	2.875	3	2.709	.083	2.15	2.635	.120	3.10	2.469	.203	4.85
3	3.500	3-3/8	3.334	.083	3.40	3.260	.120	3.90	3.068	.216	7.30
3-1/2	4.000	3-3/4	3.834	.083	5.50	3.760	.120	5.88	3.548	.226	9.00
4	4.500	4-1/8	4.334	.083	7.20	4.260	.120	7.63	4.026	.237	11.63
5	5.563	4-7/8	5.345	.109	13.00	5.295	.134	13.45	5.047	.258	20.75
6	6.625	5-5/8	6.407	.109	17.20	6.357	.134	17.80	6.065	.280	24.25
8	8.625	7	8.407	.109	31.00	8.329	.148	34.50	7.981	.322	46.10
10	10.750	8-1/2	10.482	.134	55.00	10.420	.165	59.00	10.020	.365	78.00
12	12.750	10	12.438	.156	83.00	12.390	.180	87.00	12.000	.375	137.00
14	14.000	11	13.688	.156	89.00	13.624	.188	107.00	13.250	.375	175.00
16	16.000	12	15.670	.165	115.00	15.624	.188	130.00	15.250	.375	220.00
18	18.000	13-1/2	17.670	.165	149.00	17.624	.188	169.00	17.250	.375	286.00
20	20.000	15	19.624	.188	171.00	19.564	.218	228.00	19.250	.375	358.00
24	24.000	17	23.564	.218	298.00	23.500	.250	343.00	23.250	.375	498.00



FITTINGS WELDED & SEAMLESS ASTM A-403

REDUCING TEE

cobrival.com



DIMENSIONS

unit : inch / lb

Nominal Pipe Size Run X Outlet	Outside Diameter Run (O.D.)	Outside Diameter Outlet (O.D.)	Center to End Run (C)	Center to End Outlet (M)	Schedule 5S					Schedule 10S					Schedule 40S				
					Inside Diameter Run (I.D.)	Inside Diameter Outlet (I.D.)	Wall Thickness Run (T)	Wall Thickness Outlet (t)	Approx. Weight **	Inside Diameter Run (I.D.)	Inside Diameter Outlet (I.D.)	Wall Thickness Run (T)	Wall Thickness Outlet (t)	Approx. Weight **	Inside Diameter Run (I.D.)	Inside Diameter Outlet (I.D.)	Wall Thickness Run (T)	Wall Thickness Outlet (t)	Approx. Weight **
1/2 x 1/4	.840	.540	1	1	.710	.410	.065	.065	.16	.674	.410	.083	.065	.18	.622	.364	.109	.088	.20
1/2 x 3/8	.840	.675	1	1	.710	.545	.065	.065	.17	.674	.545	.083	.065	.19	.622	.493	.109	.091	.21
3/4 x 3/8	1.050	.675	1-1/8	1-1/8	.920	.545	.065	.065	.19	.884	.545	.083	.065	.24	.824	.493	.113	.091	.32
3/4 x 1/2	1.050	.840	1-1/8	1-1/8	.920	.710	.065	.065	.20	.884	.674	.083	.083	.25	.824	.622	.113	.109	.34
1 x 3/8	1.315	.675	1-1/2	1-1/2	1.185	.545	.065	.065	.34	1.097	.545	.109	.065	.54	1.049	.493	.133	.091	.56
1 x 1/2	1.315	.840	1-1/2	1-1/2	1.185	.710	.065	.065	.35	1.097	.674	.109	.083	.55	1.049	.622	.133	.109	.57
1 x 3/4	1.315	1.050	1-1/2	1-1/2	1.185	.920	.065	.065	.36	1.097	.884	.109	.083	.56	1.049	.824	.133	.113	.59
1-1/4 x 1/2	1.660	.840	1-7/8	1-7/8	1.530	.710	.065	.065	.64	1.442	.674	.109	.083	.95	1.380	.622	.140	.109	1.12
1-1/4 x 3/4	1.660	1.050	1-7/8	1-7/8	1.530	.920	.065	.065	.66	1.442	.884	.109	.083	.97	1.380	.824	.140	.113	1.15
1-1/4 x 1	1.660	1.315	1-7/8	1-7/8	1.530	1.185	.065	.065	.68	1.442	1.097	.109	.109	.99	1.380	1.049	.140	.133	1.17
1-1/2 x 1/2	1.900	.840	2-1/4	2-1/4	1.770	.710	.065	.065	.81	1.682	.674	.109	.083	1.27	1.610	.622	.145	.109	1.61
1-1/2 x 3/4	1.900	1.050	2-1/4	2-1/4	1.770	.920	.065	.065	.82	1.682	.884	.109	.083	1.29	1.610	.824	.145	.113	1.63
1-1/2 x 1	1.900	1.315	2-1/4	2-1/4	1.770	1.185	.065	.065	.83	1.682	1.097	.109	.109	1.32	1.610	1.049	.145	.133	1.67
1-1/2 x 1-1/4	1.900	1.660	2-1/4	2-1/4	1.770	1.530	.065	.065	.85	1.682	1.442	.109	.109	1.35	1.610	1.380	.145	.140	1.71
2 x 3/4	2.375	1.050	2-1/2	1-3/4	2.245	.920	.065	.065	1.02	2.157	.884	.109	.083	1.59	2.067	.824	.154	.113	2.40
2 x 1	2.375	1.315	2-1/2	2	2.245	1.185	.065	.065	1.03	2.157	1.097	.109	.109	1.60	2.067	1.049	.154	.133	2.43
2 x 1-1/4	2.375	1.660	2-1/2	2-1/4	2.245	1.530	.065	.065	1.05	2.157	1.442	.109	.109	1.64	2.067	1.380	.154	.140	2.49
2 x 1-1/2	2.375	1.900	2-1/2	2-3/8	2.245	1.770	.065	.065	1.08	2.157	1.682	.109	.109	1.68	2.067	1.610	.154	.145	2.54
2-1/2 x 1	2.875	1.315	3	2-1/4	2.709	1.185	.083	.065	1.83	2.635	1.097	.120	.109	2.63	2.469	1.049	.203	.133	4.12
2-1/2 x 1-1/4	2.875	1.660	3	2-1/2	2.709	1.530	.083	.065	1.85	2.635	1.442	.120	.109	2.66	2.469	1.380	.203	.140	4.17
2-1/2 x 1-1/2	2.875	1.900	3	2-5/8	2.709	1.770	.083	.065	1.89	2.635	1.682	.120	.109	2.73	2.469	1.610	.203	.145	4.27
2-1/2 x 2	2.875	2.375	3	2-3/4	2.709	2.245	.083	.065	1.93	2.635	2.157	.120	.109	2.79	2.469	2.067	.203	.154	4.36
3 x 1	3.500	1.315	3-3/8	2-5/8	3.334	1.185	.083	.065	2.85	3.260	1.097	.120	.109	3.27	3.068	1.049	.216	.133	6.13
3 x 1-1/4	3.500	1.660	3-3/8	2-3/4	3.334	1.530	.083	.065	2.89	3.260	1.442	.120	.109	3.31	3.068	1.380	.216	.140	6.20
3 x 1-1/2	3.500	1.900	3-3/8	2-7/8	3.334	1.770	.083	.065	2.93	3.260	1.682	.120	.109	3.35	3.068	1.610	.216	.145	6.28
3 x 2	3.500	2.375	3-3/8	3	3.334	2.245	.083	.065	2.99	3.260	2.157	.120	.109	3.43	3.068	2.067	.216	.154	6.42
3 x 2-1/2	3.500	2.875	3-3/8	3-1/4	3.334	2.709	.083	.083	3.06	3.260	2.635	.120	.120	3.51	3.068	2.469	.216	.203	6.57
3-1/2 x 1-1/2	4.000	1.900	3-3/4	3-1/8	3.834	1.770	.083	.065	4.67	3.760	1.682	.120	.109	4.99	3.548	1.610	.226	.145	7.65
3-1/2 x 2	4.000	2.375	3-3/4	3-1/4	3.834	2.245	.083	.065	4.73	3.760	2.157	.120	.109	5.05	3.548	2.067	.226	.154	7.74
3-1/2 x 2-1/2	4.000	2.875	3-3/4	3-1/2	3.834	2.709	.083	.083	4.84	3.760	2.635	.120	.120	5.17	3.548	2.469	.226	.203	8.97
3-1/2 x 3	4.000	3.500	3-3/4	3-5/8	3.834	3.334	.083	.083	4.95	3.760	3.260	.120	.120	5.29	3.548	3.068	.226	.216	9.10
4 x 1-1/2	4.500	1.900	4-1/8	3-3/8	4.334	1.770	.083	.065	6.05	4.260	1.682	.120	.109	6.40	4.026	1.610	.237	.145	9.76
4 x 2	4.500	2.375	4-1/8	3-1/2	4.334	2.245	.083	.065	6.12	4.260	2.157	.120	.109	6.48	4.026	2.067	.237	.154	9.88
4 x 2-1/2	4.500	2.875	4-1/8	3-3/4	4.334	2.709	.083	.083	6.19	4.260	2.635	.120	.120	6.56	4.026	2.469	.237	.203	10.00
4 x 3	4.500	3.500	4-1/8	3-7/8	4.334	3.334	.083	.083	6.33	4.260	3.260	.120	.120	6.71	4.026	3.068	.237	.216	10.23
4 x 3-1/2	4.500	4.000	4-1/8	4	4.334	3.834	.083	.083	6.48	4.260	3.760	.120	.120	6.86	4.026	3.548	.237	.226	10.40



Av. Agrupamiento "I" No. 17 Col. Aragón Narciso Bassols Del. Gustavo A. Madero C.P. 07980 CDMX
 Conmutador. 55 5839 2588 / 5839 7821 / 5839 4891
 ventas@cobrival.com | www.cobrival.com



FITTINGS WELDED & SEAMLESS ASTM A-403

REDUCING TEE

cobrival.com

DIMENSIONS

unit : inch / lb

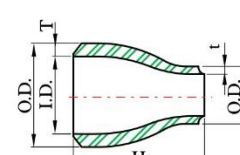
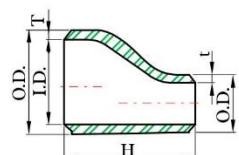
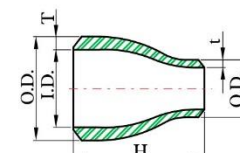
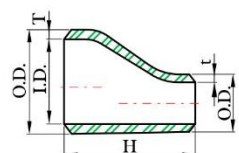
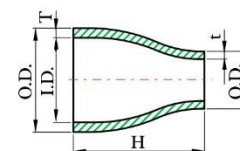
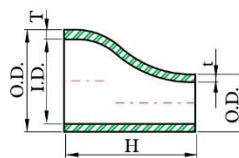
Nominal Pipe Size Run X Outlet	Outside Diameter Run (O.D.)	Outside Diameter Outlet (O.D.)	Center to End Run (C)	Center to End Outlet (M)	Schedule 5S					Schedule 10S					Schedule 40S				
					Inside Diameter Run (I.D.)	Inside Diameter Outlet (I.D.)	Wall Thickness Run (T)	Wall Thickness Outlet (t)	Approx. Weight**	Inside Diameter Run (I.D.)	Inside Diameter Outlet (I.D.)	Wall Thickness Run (T)	Wall Thickness Outlet (t)	Approx. Weight**	Inside Diameter Run (I.D.)	Inside Diameter Outlet (I.D.)	Wall Thickness Run (T)	Wall Thickness Outlet (t)	Approx. Weight**
5 x 2	5.563	2.375	4-7/8	4-1/8	5.345	2.245	.109	.065	10.92	5.295	2.157	.134	.109	11.29	5.047	2.067	.258	.154	17.43
5 x 2-1/2	5.563	2.875	4-7/8	4-1/4	5.345	2.709	.109	.083	11.05	5.295	2.635	.134	.120	11.43	5.047	2.469	.258	.203	17.63
5 x 3	5.563	3.500	4-7/8	4-3/8	5.345	3.334	.109	.083	11.18	5.295	3.260	.134	.120	11.56	5.047	3.068	.258	.216	17.84
5 x 3-1/2	5.563	4.000	4-7/8	4-1/2	5.345	3.834	.109	.083	11.44	5.295	3.760	.134	.120	11.83	5.047	3.548	.258	.226	18.26
5 x 4	5.563	4.500	4-7/8	4-5/8	5.345	4.334	.109	.083	11.70	5.295	4.260	.134	.120	12.10	5.047	4.026	.258	.237	18.67
6 x 2-1/2	6.625	2.875	5-5/8	4-3/4	6.407	2.709	.109	.083	14.48	6.357	2.635	.134	.120	14.95	6.065	2.469	.280	.203	20.37
6 x 3	6.625	3.500	5-5/8	4-7/8	6.407	3.334	.109	.083	14.62	6.357	3.260	.134	.120	15.13	6.065	3.068	.280	.216	26.32
6 x 3-1/2	6.625	4.000	5-5/8	5	6.407	3.834	.109	.083	14.79	6.357	3.760	.134	.120	15.31	6.065	3.548	.280	.226	20.85
6 x 4	6.625	4.500	5-5/8	5-1/8	6.407	4.334	.109	.083	15.13	6.357	4.260	.134	.120	15.66	6.065	4.026	.280	.237	21.34
6 x 5	6.625	5.563	5-5/8	5-3/8	6.407	5.345	.109	.109	15.48	6.357	5.295	.134	.134	16.02	6.065	5.047	.280	.258	21.82
8 x 3	8.625	3.500	7	6	8.407	3.334	.109	.083	26.04	8.329	3.260	.148	.120	29.00	7.981	3.068	.322	.216	38.72
8 x 3-1/2	8.625	4.000	7	6	8.407	3.834	.109	.083	26.35	8.329	3.760	.148	.120	29.32	7.981	3.548	.322	.226	39.18
8 x 4	8.625	4.500	7	6-1/8	8.407	4.334	.109	.083	26.66	8.329	4.260	.148	.120	29.67	7.981	4.026	.322	.237	39.64
8 x 5	8.625	5.563	7	6-3/8	8.407	5.345	.109	.109	27.28	8.329	5.295	.148	.134	30.36	7.981	5.047	.322	.258	40.56
8 x 6	8.625	6.625	7	6-5/8	8.407	6.407	.109	.109	27.90	8.329	6.357	.148	.134	31.05	7.981	6.065	.322	.280	41.49
10 x 4	10.750	4.500	8-1/2	7-1/4	10.482	4.334	.134	.083	46.75	10.420	4.260	.165	.120	50.15	10.020	4.026	.365	.237	66.30
10 x 5	10.750	5.563	8-1/2	7-1/2	10.482	5.345	.134	.109	47.30	10.420	5.295	.165	.134	50.74	10.020	5.047	.365	.258	67.08
10 x 6	10.750	6.625	8-1/2	7-5/8	10.482	6.407	.134	.109	48.40	10.420	6.357	.165	.134	51.92	10.020	6.065	.365	.280	68.64
10 x 8	10.750	8.625	8-1/2	8	10.482	8.407	.134	.109	49.50	10.420	8.329	.165	.148	53.10	10.020	7.981	.365	.322	70.20
12 x 5	12.750	5.563	10	8-1/2	12.438	5.345	.156	.109	70.55	12.390	5.295	.180	.134	73.95	12.000	5.047	.375	.258	116.00
12 x 6	12.750	6.625	10	8-5/8	12.438	6.407	.156	.109	71.38	12.390	6.357	.180	.134	74.82	12.000	6.065	.375	.280	118.00
12 x 8	12.750	8.625	10	9	12.438	8.407	.156	.109	73.04	12.390	8.329	.180	.148	76.56	12.000	7.981	.375	.322	120.00
12 x 10	12.750	10.750	10	9-1/2	12.438	10.482	.156	.134	74.70	12.390	10.420	.180	.165	78.30	12.000	10.020	.375	.365	123.00
14 x 6	14.000	6.625	11	9-3/8	13.688	6.407	.156	.109	75.65	13.624	6.357	.188	.134	90.95	13.250	6.065	.375	.280	148.00
14 x 8	14.000	8.625	11	9-3/4	13.688	8.407	.156	.109	76.54	13.624	8.329	.188	.148	92.02	13.250	7.981	.375	.322	150.00
14 x 10	14.000	10.750	11	10-1/8	13.688	10.482	.156	.134	78.32	13.624	10.420	.188	.165	94.16	13.250	10.020	.375	.365	154.00
14 x 12	14.000	12.750	11	10-5/8	13.688	12.438	.156	.156	80.10	13.624	12.390	.188	.180	96.30	13.250	12.000	.375	.375	157.00
16 x 6	16.000	6.625	12	10-3/8	15.670	6.407	.165	.109	96.60	15.624	6.357	.188	.134	109.00	15.250	6.065	.375	.280	184.00
16 x 8	16.000	8.625	12	10-3/4	15.670	8.407	.165	.109	97.75	15.624	8.329	.188	.148	110.00	15.250	7.981	.375	.322	187.00
16 x 10	16.000	10.750	12	11-1/8	15.670	10.482	.165	.134	98.90	15.624	10.420	.188	.165	112.00	15.250	10.020	.375	.365	189.00
16 x 12	16.000	12.750	12	11-5/8	15.670	12.438	.165	.156	101.00	15.624	12.390	.188	.180	114.00	15.250	12.000	.375	.375	193.00
16 x 14	16.000	14.000	12	12	15.670	13.688	.165	.156	103.00	15.624	13.624	.188	.188	117.00	15.250	13.250	.375	.375	198.00
18 x 8	18.000	8.625	13-1/2	11-3/4	17.670	8.407	.165	.109	125.00	17.624	8.329	.188	.148	142.00	17.250	7.981	.375	.322	240.00
18 x 10	18.000	10.750	13-1/2	12-1/8	17.670	10.482	.165	.134	126.00	17.624	10.420	.188	.165	143.00	17.250	10.020	.375	.365	243.00
18 x 12	18.000	12.750	13-1/2	12-5/8	17.670	12.438	.165	.156	128.00	17.624	12.390	.188	.180	145.00	17.250	12.000	.375	.375	246.00
18 x 14	18.000	14.000	13-1/2	13	17.670	13.688	.165	.156	131.00	17.624	13.624	.188	.188	148.00	17.250	13.250	.375	.375	251.00
18 x 16	18.000	16.000	13-1/2	13	17.670	15.670	.165	.165	134.00	17.624	15.624	.188	.188	152.00	17.250	15.250	.375	.375	257.00
20 x 8	20.000	8.625	15	12-3/4	19.624	8.407	.188	.109	141.00	19.564	8.329	.218	.148	189.00	19.250	7.981	.375	.322	297.00
20 x 10	20.000	10.750	15	13-1/8	19.624	10.482	.188	.134	143.00	19.564	10.420	.218	.165	191.00	19.250	10.020	.375	.365	300.00
20 x 12	20.000	12.750	15	13-5/8	19.624	12.438	.188	.156	145.00	19.564	12.390	.218	.180	193.00	19.250	12.000	.375	.375	304.00
20 x 14	20.000	14.000	15	14	19.624	13.688	.188	.156	147.00	19.564	13.624	.218	.188	196.00	19.250	13.250	.375	.375	308.00
20 x 16	20.000	16.000	15	14	19.624	15.670	.188	.165	150.00	19.564	15.624	.218	.188	200.00	19.250	15.250	.375	.375	315.00
20 x 18	20.000	18.000	15	14-1/2	19.624	17.670	.188	.165	154.00	19.564	17.624	.218	.188	205.00	19.250	17.250	.375	.375	322.00
24 x 10	24.000	10.750	17	15-1/8	23.564	10.482	.218	.134	247.00	23.500	10.420	.250	.165	284.00	23.250	10.020	.375	.365	413.00
24 x 12	24.000	12.750	17	15-5/8	23.564	12.438	.218	.156	250.00	23.500	12.390	.250	.180	288.00	23.250	12.000	.375	.375	418.00
24 x 14	24.000	14.000	17	16	23.564	13.688	.218	.156	253.00	23.500	13.624	.250	.188	291.00	23.250	13.250	.375	.375	423.00
24 x 16	24.000	16.000	17	16	23.564	15.670	.218	.165	256.00	23.500	15.624	.250	.188	295.00	23.250	15.250	.375	.375	428.00
24 x 18	24.000	18.000	17	16-1/2	23.564	17.670	.218	.165	262.00	23.500	17.624	.250	.188	302.00	23.250	17.250	.375	.375	438.00
24 x 20	24.000	20.000	17	17	23.564	19.624	.218	.188	268.00	23.500	19.564	.250	.218	308.00	23.250	19.250	.375	.375	448.00



FITTINGS WELDED & SEAMLESS ASTM A-403

CONC. / ECC. REDUCERS

cobrival.com



DIMENSIONS

unit : inch / lb

Nominal Pipe Size <small>Large End X Small End</small>	Outside Diameter Large End (O.D.)	Outside Diameter Small End (O.D.)	Length (H)	Schedule 5S					Schedule 10S					Schedule 40S				
				Inside Diameter Large End (I.D.)	Inside Diameter Small End (I.D.)	Wall Thickness Large End (T)	Wall Thickness Small End (t)	Approximate Weight**	Inside Diameter Large End (I.D.)	Inside Diameter Small End (I.D.)	Wall Thickness Large End (T)	Wall Thickness Small End (t)	Approximate Weight**	Inside Diameter Large End (I.D.)	Inside Diameter Small End (I.D.)	Wall Thickness Large End (T)	Wall Thickness Small End (t)	Approximate Weight**
3/4 x 3/8	1.050	.675	1-1/2	.920	.545	.065	.065	.15	.884	.545	.083	.065	.20	.824	.493	.113	.091	.27
3/4 x 1/2	1.050	.840	1-1/2	.920	.710	.065	.065	.17	.884	.674	.083	.083	.22	.824	.622	.113	.109	.31
1 x 3/8	1.315	.675	2	1.185	.545	.065	.065	.16	1.097	.545	.109	.065	.21	1.049	.493	.133	.091	.33
1 x 1/2	1.315	.840	2	1.185	.710	.065	.065	.16	1.097	.674	.109	.083	.27	1.049	.622	.133	.109	.34
1 x 3/4	1.315	1.050	2	1.185	.920	.065	.065	.17	1.097	.884	.109	.083	.29	1.049	.824	.133	.113	.36
1-1/4 x 1/2	1.660	.840	2	1.530	.710	.065	.065	.21	1.442	.674	.109	.083	.35	1.380	.622	.140	.109	.46
1-1/4 x 3/4	1.660	1.050	2	1.530	.920	.065	.065	.22	1.442	.884	.109	.083	.39	1.380	.824	.140	.113	.49
1-1/4 x 1	1.660	1.315	2	1.530	1.185	.065	.065	.22	1.442	1.097	.109	.109	.39	1.380	1.049	.140	.133	.49
1-1/2 x 1/2	1.900	.840	2-1/2	1.770	.710	.065	.065	.23	1.682	.674	.109	.083	.37	1.610	.622	.145	.109	.50
1-1/2 x 3/4	1.900	1.050	2-1/2	1.770	.920	.065	.065	.24	1.682	.884	.109	.083	.39	1.610	.824	.145	.113	.52
1-1/2 x 1	1.900	1.315	2-1/2	1.770	1.185	.065	.065	.25	1.682	1.097	.109	.109	.43	1.610	1.049	.145	.133	.58
1-1/2 x 1-1/4	1.900	1.660	2-1/2	1.770	1.530	.065	.065	.27	1.682	1.442	.109	.109	.46	1.610	1.380	.145	.140	.62
2 x 3/4	2.375	1.050	3	2.245	.920	.065	.065	.33	2.157	.884	.109	.083	.56	2.067	.824	.154	.113	.80
2 x 1	2.375	1.315	3	2.245	1.185	.065	.065	.37	2.157	1.097	.109	.109	.62	2.067	1.049	.154	.133	.89
2 x 1-1/4	2.375	1.660	3	2.245	1.530	.065	.065	.40	2.157	1.442	.109	.109	.67	2.067	1.380	.154	.140	.96
2 x 1-1/2	2.375	1.900	3	2.245	1.770	.065	.065	.41	2.157	1.682	.109	.109	.69	2.067	1.610	.154	.145	.99
2-1/2 x 1	2.875	1.315	3-1/2	2.709	1.185	.083	.065	.56	2.635	1.097	.120	.109	.83	2.469	1.049	.203	.133	1.42
2-1/2 x 1-1/4	2.875	1.660	3-1/2	2.709	1.530	.083	.065	.64	2.635	1.442	.120	.109	.95	2.469	1.380	.203	.140	1.61
2-1/2 x 1-1/2	2.875	1.900	3-1/2	2.709	1.770	.083	.065	.67	2.635	1.682	.120	.109	.98	2.469	1.610	.203	.145	1.67
2-1/2 x 2	2.875	2.375	3-1/2	2.709	2.245	.083	.065	.70	2.635	2.157	.120	.109	1.03	2.469	2.067	.203	.154	1.76
3 x 1	3.500	1.315	3-1/2	3.334	1.185	.083	.065	.70	3.260	1.097	.120	.109	1.03	3.068	1.049	.216	.133	1.81
3 x 1-1/4	3.500	1.660	3-1/2	3.334	1.530	.083	.065	.70	3.260	1.442	.120	.109	1.03	3.068	1.380	.216	.140	1.86
3 x 1-1/2	3.500	1.900	3-1/2	3.334	1.770	.083	.065	.78	3.260	1.682	.120	.109	1.13	3.068	1.610	.216	.145	2.07
3 x 2	3.500	2.375	3-1/2	3.334	2.245	.083	.065	.83	3.260	2.157	.120	.109	1.21	3.068	2.067	.216	.154	2.20
3 x 2-1/2	3.500	2.875	3-1/2	3.334	2.709	.083	.083	.90	3.260	2.635	.120	.120	1.30	3.068	2.469	.216	.203	2.38
3-1/2 x 1-1/4	4.000	1.660	4	3.834	1.530	.083	.065	.93	3.760	1.442	.120	.109	1.37	3.548	1.380	.226	.140	2.60
3-1/2 x 1-1/2	4.000	1.900	4	3.834	1.770	.083	.065	.99	3.760	1.682	.120	.109	1.46	3.548	1.610	.226	.145	2.76
3-1/2 x 2	4.000	2.375	4	3.834	2.245	.083	.065	1.06	3.760	2.157	.120	.109	1.57	3.548	2.067	.226	.154	2.97
3-1/2 x 2-1/2	4.000	2.875	4	3.834	2.709	.083	.083	1.17	3.760	2.635	.120	.120	1.72	3.548	2.469	.226	.203	3.25
3-1/2 x 3	4.000	3.500	4	3.834	3.334	.083	.083	1.20	3.760	3.260	.120	.120	1.77	3.548	3.068	.226	.216	3.35
4 x 1-1/2	4.500	1.900	4	4.334	1.770	.083	.065	1.05	4.260	1.682	.120	.109	1.50	4.026	1.610	.237	.145	3.00
4 x 2	4.500	2.375	4	4.334	2.245	.083	.065	1.21	4.260	2.157	.120	.109	1.73	4.026	2.067	.237	.154	3.47
4 x 2-1/2	4.500	2.875	4	4.334	2.709	.083	.083	1.28	4.260	2.635	.120	.120	1.83	4.026	2.469	.237	.203	3.66
4 x 3	4.500	3.500	4	4.334	3.334	.083	.083	1.34	4.260	3.260	.120	.120	1.92	4.026	3.068	.237	.216	3.84
4 x 3-1/2	4.500	4.000	4	4.334	3.834	.083	.083	1.38	4.260	3.760	.120	.120	1.98	4.026	3.548	.237	.226	3.97



Av. Agrupamiento "I" No. 17 Col. Aragón Narciso Bassols Del. Gustavo A. Madero C.P. 07980 CDMX
 Conmutador. 55 5839 2588 / 5839 7821 / 5839 4891
 ventas@cobrival.com | www.cobrival.com



FITTINGS WELDED & SEAMLESS ASTM A-403

CONC. / ECC. REDUCERS

cobrival.com

DIMENSIONS

unit : inch / lb

Nominal Pipe Size <small>Large End X Small End</small>	Outside Diameter Large End (O.D.)	Outside Diameter Small End (O.D.)	Length (H)	Schedule 5S			Schedule 10S			Schedule 40S								
				Inside Diameter Large End (I.D.)	Inside Diameter Small End (I.D.)	Wall Thickness Large End (T)	Wall Thickness Small End (t)	Approximate Weight**	Inside Diameter Large End (I.D.)	Inside Diameter Small End (I.D.)	Wall Thickness Large End (T)	Wall Thickness Small End (t)	Approximate Weight**					
5 x 2	5.563	2.375	5	5.345	2.245	.109	.065	2.33	5.295	2.157	.134	.109	2.83	5.047	2.067	.258	.154	5.55
5 x 2-1/2	5.563	2.875	5	5.345	2.709	.109	.083	2.55	5.295	2.635	.134	.120	3.09	5.047	2.469	.258	.203	6.07
5x3	5.563	3.500	5	5.345	3.334	.109	.083	2.64	5.295	3.260	.134	.120	3.20	5.047	3.068	.258	.216	6.29
5x3-1/2	5.563	4.000	5	5.345	3.834	.109	.083	2.71	5.295	3.760	.134	.120	3.28	5.047	3.548	.258	.226	6.45
5x 4	5.563	4.500	5	5.345	4.334	.109	.083	2.76	5.295	4.260	.134	.120	3.29	5.047	4.026	.258	.237	6.57
6x2-1/2	6.625	2.875	5-1/2	6.407	2.709	.109	.083	3.18	6.357	2.635	.134	.120	3.35	6.065	2.469	.280	.203	8.37
6x3	6.625	3.500	5-1/2	6.407	3.334	.109	.083	3.33	6.357	3.260	.134	.120	4.01	6.065	3.068	.280	.216	8.77
6x3-1/2	6.625	4.000	5-1/2	6.407	3.834	.109	.083	3.39	6.357	3.760	.134	.120	4.20	6.065	3.548	.280	.226	8.93
6x 4	6.625	4.500	5-1/2	6.407	4.334	.109	.083	3.41	6.357	4.260	.134	.120	4.31	6.065	4.026	.280	.237	8.99
6x 5	6.625	5.563	5-1/2	6.407	5.345	.109	.109	3.60	6.357	5.295	.134	.134	4.45	6.065	5.047	.280	.258	9.48
8 x3-1/2	8.625	4.000	6	8.407	3.834	.109	.083	4.65	8.329	3.760	.148	.120	6.48	7.981	3.548	.322	.226	14.10
8x 4	8.625	4.500	6	8.407	4.334	.109	.083	4.76	8.329	4.260	.148	.120	6.64	7.981	4.026	.322	.237	14.44
8x5	8.625	5.563	6	8.407	5.345	.109	.109	4.87	8.329	5.295	.148	.134	6.79	7.981	5.047	.322	.258	14.78
8x6	8.625	6.625	6	8.407	6.407	.109	.109	5.05	8.329	6.357	.148	.134	7.04	7.981	6.065	.322	.280	15.31
10x 4	10.750	4.500	7	10.482	4.334	.134	.083	8.34	10.420	4.260	.165	.120	10.43	10.020	4.026	.365	.237	23.19
10x5	10.750	5.563	7	10.482	5.345	.134	.109	8.62	10.420	5.295	.165	.134	10.78	10.020	5.047	.365	.258	23.96
10x6	10.750	6.625	7	10.482	6.407	.134	.109	8.82	10.420	6.357	.165	.134	11.03	10.020	6.065	.365	.280	24.52
10x8	10.750	8.625	7	10.482	8.407	.134	.109	9.17	10.420	8.329	.165	.148	11.46	10.020	7.981	.365	.322	25.48
12x5	12.750	5.563	8	12.438	5.345	.156	.109	13.72	12.390	5.295	.180	.134	16.07	12.000	5.047	.375	.258	33.48
12x6	12.750	6.625	8	12.438	6.407	.156	.109	14.01	12.390	6.357	.180	.134	16.38	12.000	6.065	.375	.280	34.13
12x8	12.750	8.625	8	12.438	8.407	.156	.109	14.45	12.390	8.329	.180	.148	16.91	12.000	7.981	.375	.322	35.24
12x10	12.750	10.750	8	12.438	10.482	.156	.134	15.03	12.390	10.420	.180	.165	17.60	12.000	10.020	.375	.365	36.67
14x6	14.000	6.625	13	13.688	6.407	.156	.109	23.78	13.624	6.357	.188	.134	29.00	13.250	6.065	.375	.280	58.00
14x8	14.000	8.625	13	13.688	8.407	.156	.109	25.10	13.624	8.329	.188	.148	30.61	13.250	7.981	.375	.322	61.22
14x10	14.000	10.750	13	13.688	10.482	.156	.134	26.05	13.624	10.420	.188	.165	31.77	13.250	10.020	.375	.365	63.55
14x12	14.000	12.750	13	13.688	12.438	.156	.156	27.64	13.624	12.390	.188	.180	33.71	13.250	12.000	.375	.375	67.42
16x8	16.000	8.625	14	15.670	8.407	.165	.109	32.39	15.624	8.329	.188	.148	36.81	15.250	7.981	.375	.322	73.62
16x10	16.000	10.750	14	15.670	10.482	.165	.134	34.37	15.624	10.420	.188	.165	39.06	15.250	10.020	.375	.365	78.12
16x12	16.000	12.750	14	15.670	12.438	.165	.156	35.60	15.624	12.390	.188	.180	40.45	15.250	12.000	.375	.375	80.91
16x14	16.000	14.000	14	15.670	13.688	.165	.156	36.48	15.624	13.624	.188	.188	41.46	15.250	13.250	.375	.375	82.92
18x10	18.000	10.750	15	17.670	10.482	.165	.134	40.78	17.624	10.420	.188	.165	46.34	17.250	10.020	.375	.365	92.69
18x12	18.000	12.750	15	17.670	12.438	.165	.156	41.66	17.624	12.390	.188	.180	47.35	17.250	12.000	.375	.375	94.70
18x14	18.000	14.000	15	17.670	13.688	.165	.156	42.48	17.624	13.624	.188	.188	48.28	17.250	13.250	.375	.375	96.56
18x16	18.000	16.000	15	17.670	15.670	.165	.165	43.64	17.624	15.624	.188	.188	49.60	17.250	15.250	.375	.375	99.20
20x12	20.000	12.750	20	19.624	12.438	.188	.156	71.50	19.564	12.390	.218	.180	71.50	19.250	12.000	.375	.375	143.00
20x14	20.000	14.000	20	19.624	13.688	.188	.156	72.50	19.564	13.624	.218	.188	84.10	19.250	13.250	.375	.375	145.00
20x16	20.000	16.000	20	19.624	15.670	.188	.165	73.00	19.564	15.624	.218	.188	84.68	19.250	15.250	.375	.375	146.00
20x18	20.000	18.000	20	19.624	17.670	.188	.165	75.50	19.564	17.624	.218	.188	87.58	19.250	17.250	.375	.375	151.00
24x16	24.000	16.000	20	23.564	15.670	.218	.165	98.02	23.500	15.624	.250	.188	98.02	23.250	15.250	.375	.375	169.00
24x18	24.000	18.000	20	23.564	17.670	.218	.165	100.00	23.500	17.624	.250	.188	100.00	23.250	17.250	.375	.375	173.00
24x20	24.000	20.000	20	23.564	19.624	.218	.188	103.00	23.500	19.564	.250	.218	103.00	23.250	19.250	.375	.375	179.00



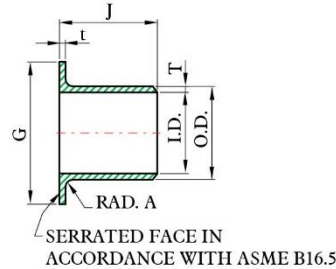
FITTINGS WELDED & SEAMLESS ASTM A-403

STUB END TYPE "A" & TYPE "B"

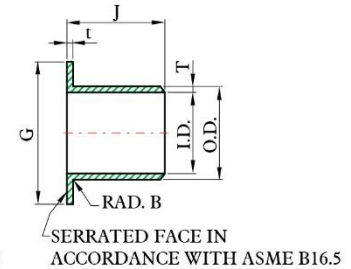
cobrival.com



Stub Ends are supplied in Type A or Type B.
Type A is more readily available.



TYPE A



TYPE B

Schedules 5S and 10S Stub Ends are usually supplied in Short Lengths; Long Lengths are available on special order.

Schedule 40S Stub Ends are supplied in either Short or Long Lengths.

DIMENSIONS

unit : inch / lb

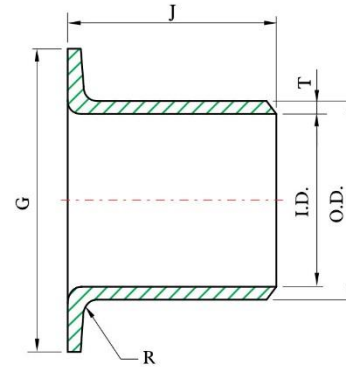
Nominal Pipe Size	Outside diameter (O.D.)	Diameter (G)	Length (J)		Radius (A)		Schedule 40S			
			Short	Long	A	B	Inside Diameter (I.D.)	Wall Thickness (T)	Lap Thickness (t)	Approx. weight **
1/2	.840	1.375	2	3	1/8	1/32	.622	.109	.109	.19
3/4	1.050	1.688	2	3	1/8	1/32	.824	.113	.113	.26
1	1.315	2.000	2	4	1/8	1/32	1.049	.133	.133	.38
1-1/4	1.660	2.500	2	4	3/16	1/32	1.380	.140	.140	.55
1-1/2	1.900	2.875	2	4	1/4	1/32	1.610	.145	.145	.69
2	2.375	3.625	2-1/2	6	5/16	1/32	2.067	.154	.154	1.35
2-1/2	2.875	4.125	2-1/2	6	5/16	1/32	2.469	.203	.203	1.77
3	3.500	5.000	2-1/2	6	3/8	1/32	3.068	.216	.216	2.50
3-1/2	4.000	5.500	3	6	3/8	1/32	3.548	.226	.226	3.58
4	4.500	6.188	3	6	7/16	1/32	4.026	.237	.237	4.13
5	5.563	7.313	3	8	7/16	1/16	5.047	.258	.258	6.15
6	6.625	8.500	3-1/2	8	1/2	1/16	6.065	.280	.280	7.88
8	8.625	10.625	4	8	1/2	1/16	7.981	.322	.322	13.38
10	10.750	12.750	5	10	1/2	1/16	10.020	.365	.365	22.20
12	12.750	15.000	6	10	1/2	1/16	12.000	.375	.375	31.50
14	14.000	16.250	6	12	1/2	1/16	13.250	.375	.375	37.80
16	16.000	18.500	6	12	1/2	1/16	15.250	.375	.375	45.00
18	18.000	21.000	6	12	1/2	1/16	17.250	.375	.375	60.00
20	20.000	23.000	6	12	1/2	1/16	19.250	.375	.375	66.00
24	24.000	27.250	6	12	1/2	1/16	23.250	.375	.375	85.00



FITTINGS WELDED & SEAMLESS ASTM A-403

STUB END TYPE "C"

cobrival.com



TYPE C

DIMENSIONS

unit : inch / lb

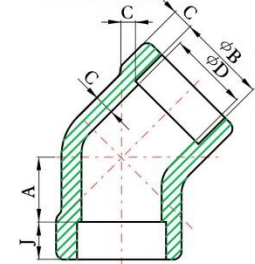
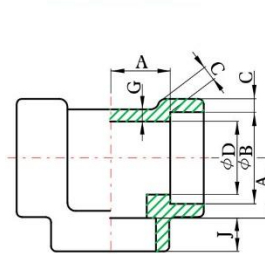
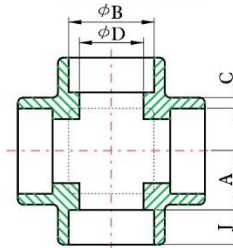
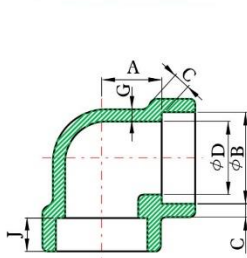
Nominal Pipe Size	Outside diameter (O.D.)	Diameter (G)	Length (J)	Radius (R)	Schedule 5S			Schedule 10S		
					Inside Diameter (I.D.)	Wall Thickness (T)	Approx. weight **	Inside Diameter (I.D.)	Wall Thickness (T)	Approx. weight **
1/2	.840	1.375	2	1/32	.710	.065	.13	.674	.083	.14
3/4	1.050	1.688	2	1/32	.920	.065	.14	.884	.083	.18
1	1.315	2.000	2	1/32	1.185	.065	.19	1.097	.109	.31
1-1/4	1.660	2.500	2	1/32	1.530	.065	.21	1.442	.109	.42
1-1/2	1.900	2.875	2	1/32	1.770	.065	.29	1.682	.109	.44
2	2.375	3.625	2-1/2	1/32	2.245	.065	.44	2.157	.109	.81
2-1/2	2.875	4.125	2-1/2	1/32	2.709	.083	.75	2.635	.120	1.00
3	3.500	5.000	2-1/2	1/32	3.334	.083	.94	3.260	.120	1.25
4	4.500	6.188	3	1/32	4.334	.083	1.38	4.260	.120	1.88
5	5.563	7.313	3	1/16	5.345	.109	2.06	5.295	.134	2.63
6	6.625	8.500	3-1/2	1/16	6.407	.109	2.75	6.357	.134	3.56
8	8.625	10.625	4	1/16	8.407	.109	3.88	8.329	.148	6.19
10	10.750	12.750	5	1/16	10.482	.134	7.48	10.420	.165	9.46
12	12.750	15.000	6	1/16	12.438	.156	15.00	12.390	.180	16.07
14	14.000	16.250	6	1/16	13.688	.156	19.20	13.624	.188	23.10
16	16.000	18.500	6	1/16	15.670	.165	23.90	15.624	.188	27.20
18	18.000	21.000	6	1/16	17.670	.165	28.50	17.624	.188	32.40
20	20.000	23.000	6	1/16	19.624	.188	36.30	19.564	.218	47.70
24	24.000	27.250	6	1/16	23.564	.218	56.00	23.500	.250	58.27



FITTINGS HIGH PRESSURE ASTM A-182

90° ELBOW / CROSS / TEE / 45° ELBOW SOCKET WELD

cobrival.com



90° ELBOW

CROSS

TEE

45° ELBOW

DIMENSIONS

unit : inch

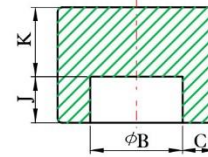
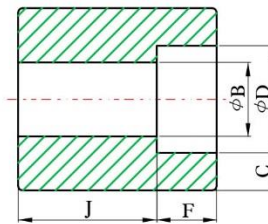
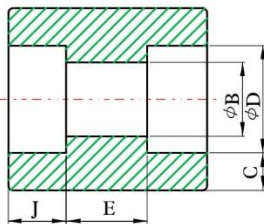
DN	Nom. Pipe Size	Socket Bore Dia. (2) B	Bore Diameter of Fitting (2) D		Socket Wall Thickness (1) C				Body Wall Thickness G		Depth of Socket Min. J
					Class Designation				Class Designation		
			Class Designation		3000		6000		3000	6000	
			3000	6000	Ave.	Min.	Ave.	Min.	Min.	Min.	
6	1/8	0.441	0.299	0.189	0.125	0.125	0.156	0.135	0.095	0.124	0.374
		0.425	0.240	0.126							
8	1/4	0.575	0.394	0.280	0.149	0.130	0.181	0.158	0.119	0.145	0.374
		0.559	0.335	0.220							
10	3/8	0.709	0.524	0.390	0.158	0.138	0.198	0.172	0.126	0.158	0.374
		0.693	0.465	0.331							
15	1/2	0.874	0.654	0.492	0.184	0.161	0.235	0.204	0.147	0.188	0.374
		0.858	0.591	0.433							
20	3/4	1.087	0.854	0.642	0.193	0.168	0.274	0.238	0.154	0.219	0.492
		1.071	0.795	0.583							
25	1	1.350	1.079	0.846	0.224	0.196	0.312	0.273	0.179	0.250	0.492
		1.335	1.020	0.783							
32	1-1/4	1.697	1.409	1.189	0.239	0.208	0.312	0.273	0.191	0.250	0.492
		1.681	1.350	1.130							
40	1-1/2	1.937	1.638	1.366	0.250	0.218	0.351	0.307	0.200	0.281	0.492
		1.921	1.579	1.307							
50	2	2.429	2.098	1.717	0.273	0.238	0.430	0.374	0.218	0.344	0.630
		2.409	2.035	1.657							
65	2-1/2	2.929	2.528		0.345	0.302			0.276		0.630
		2.909	2.409								
80	3	3.555	3.126		0.375	0.327			0.300		0.630
		3.535	3.008								
100	4	4.555	4.087		0.421	0.368			0.337		0.748
		4.535	3.965								



FITTINGS HIGH PRESSURE ASTM A-182

COUPLING / HALF COUPLING / CAP SOCKET WELD

cobrival.com



COUPLING

HALF COUPLING

CAP

DIMENSIONS

unit : inch

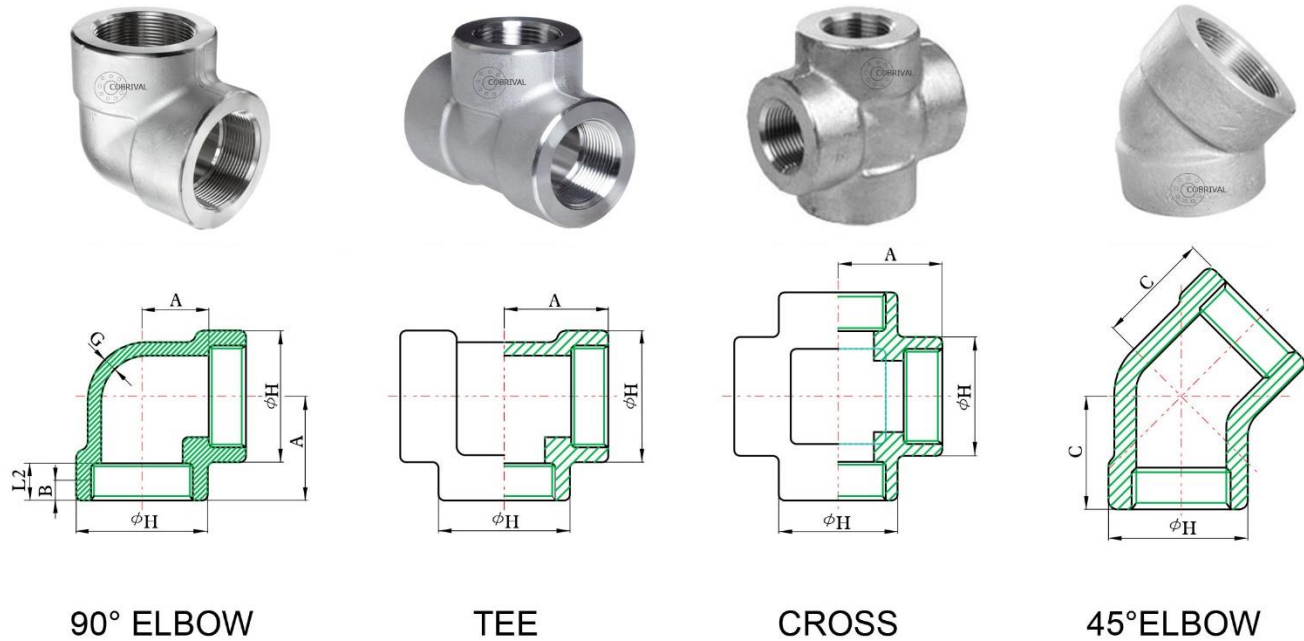
Center to Bottom of Socket-A				Laying Lengths		Tolerances ±			End Wall Thickness K Min.		Nom. Pipe Size	DN
90° Elbows Tees, Crosses		45° Elbows		Couplings E	Half Couplings F	A	E	F	Class Designation			
Class Designation		Class Designation							3000	6000		
3000	6000	3000	6000									
0.433	0.433	0.315	0.315	0.256	0.630	0.039	0.059	0.039	0.189	0.252	1/8	6
0.433	0.531	0.315	0.315	0.256	0.630	0.039	0.059	0.039	0.189	0.252	1/4	8
0.531	0.610	0.315	0.433	0.256	0.689	0.059	0.118	0.059	0.189	0.252	3/8	10
0.610	0.748	0.433	0.492	0.374	0.886	0.059	0.118	0.059	0.252	0.311	1/2	15
0.748	0.886	0.512	0.551	0.374	0.945	0.059	0.118	0.059	0.252	0.311	3/4	20
0.886	1.063	0.551	0.689	0.492	1.122	0.079	0.157	0.079	0.378	0.441	1	25
1.063	1.260	0.689	0.807	0.492	1.181	0.079	0.157	0.079	0.378	0.441	1-1/4	32
1.260	1.496	0.807	1.004	0.492	1.260	0.079	0.157	0.079	0.441	0.500	1-1/2	40
1.496	1.614	1.004	1.122	0.748	1.614	0.079	0.157	0.079	0.500	0.618	2	50
1.614		1.122		0.748	1.693	0.098	0.197	0.098	0.618	0.748	2-1/2	65
2.244		1.260		0.748	1.752	0.098	0.197	0.098	0.748	0.882	3	80
2.618		1.614		0.748	1.890	0.098	0.197	0.098	0.882	1.118	4	100



FITTINGS HIGH PRESSURE ASTM A-182

90° ELBOW / CROSS / TEE / 45° ELBOW THREADED

cobrival.com



DIMENSIONS

unit : inch

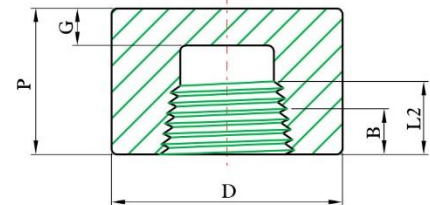
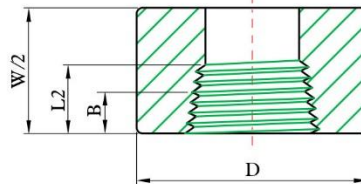
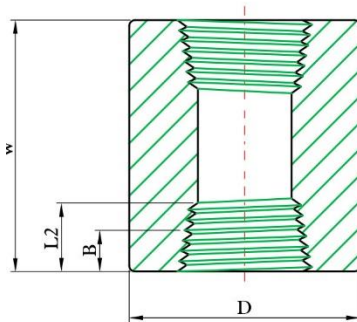
DN	Nom. Pipe Size	Center to End Elbows, Tees, Cross A		Center to End 45° Elbow C		Outside Diameter of Band H		Minimum Wall Thickness G		Length of Thread. Min. (1)	
		3000	6000	3000	6000	3000	6000	3000	6000	B	L2
6	1/8	0.827	0.984	0.669	0.748	0.866	0.984	0.125	0.250	0.252	0.264
8	1/4	0.984	1.102	0.748	0.866	0.984	1.299	0.130	0.260	0.319	0.402
10	3/8	1.102	1.299	0.866	0.984	1.299	1.496	0.138	0.275	0.358	0.409
15	1/2	1.299	1.496	0.984	1.102	1.496	1.811	0.161	0.321	0.429	0.535
20	3/4	1.496	1.732	1.102	1.299	1.811	2.205	0.170	0.336	0.500	0.547
25	1	1.732	2.008	1.299	1.378	2.205	2.441	0.196	0.391	0.579	0.681
32	1-1/4	2.008	2.362	1.378	1.693	2.441	2.953	0.208	0.417	0.669	0.709
40	1-1/2	2.362	2.520	1.693	1.732	2.953	3.307	0.219	0.436	0.701	0.724
50	2	2.520	3.268	1.732	2.047	3.307	4.016	0.281	0.476	0.748	0.756
65	2-1/2	3.268	3.740	2.047	2.520	4.016	4.764	0.301	0.602	0.929	1.138
80	3	3.740	4.173	2.520	3.110	4.764	5.748	0.348	0.655	1.020	1.201
100	4	4.488	4.488	3.110	3.110	5.984	5.984	0.440	0.735	1.091	1.299



FITTINGS HIGH PRESSURE ASTM A-182

COUPLING / HALF COUPLING / CAP THREADED

cobrival.com



DIMENSIONS

unit : inch

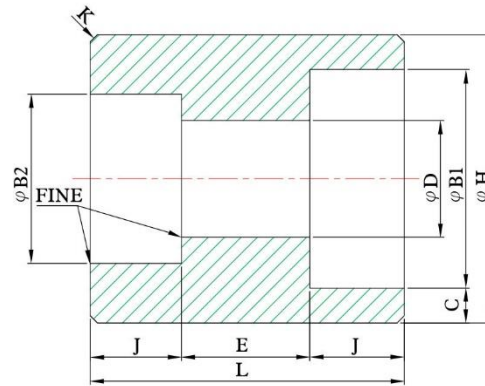
DN	Nom. Pipe Size	End to End Couplings W		End to End Caps P		Outside Diameter D		End Wall Thickness G Min.		Length of Thread. M in (1)	
		3000 / 6000	3000	6000	3000	6000	3000	6000	B	L2	
6	1/8	1.260	0.748	-----	0.630	0.866	0.189	-----	0.252	0.264	
8	1/4	1.378	0.984	1.063	0.748	0.984	0.189	0.252	0.319	0.402	
10	3/8	1.496	0.984	1.063	0.866	1.260	0.189	0.252	0.358	0.409	
15	1/2	1.890	1.260	1.299	1.102	1.496	0.252	0.311	0.429	0.535	
20	3/4	2.008	1.457	1.496	1.378	1.732	0.252	0.311	0.500	0.547	
25	1	2.362	1.614	1.693	1.732	2.244	0.382	0.441	0.579	0.681	
32	1-1/4	2.638	1.732	1.811	2.244	2.520	0.382	0.441	0.669	0.709	
40	1-1/2	3.110	1.732	1.890	2.520	2.992	0.441	0.500	0.701	0.724	
50	2	3.386	1.890	2.008	2.992	3.622	0.500	0.618	0.748	0.756	
65	2-1/2	3.622	2.362	2.520	3.622	4.252	0.618	0.748	0.929	1.138	
80	3	4.252	2.559	2.677	4.252	5.000	0.748	0.882	1.020	1.201	
100	4	4.764	2.677	2.953	5.512	6.260	0.882	1.118	1.091	1.299	



FITTINGS HIGH PRESSURE ASTM A-182

REDUCING COUPLING SOCKET WELD

cobrival.com



DIMENSIONS

unit : inch

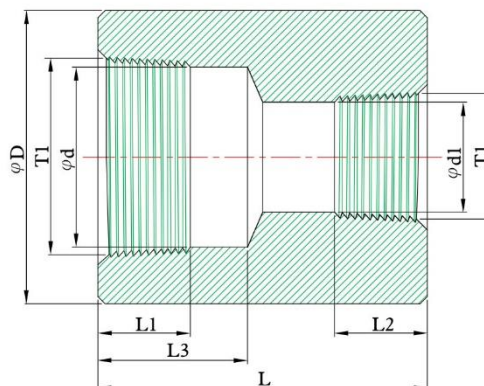
SIZE	B1	B2	D	C (Min)	H (Min)	J	E	L
1/4 x1/8	0.56	0.43	0.27	0.15	0.86	0.41	0.26	1.08
3/8 x1/8	0.70	0.43	0.27	0.16	1.02	0.41	0.26	1.12
3/8 x1/4	0.70	0.56	0.37	0.16	1.02	0.41	0.26	1.12
1/2 x1/8	0.86	0.43	0.27	0.19	1.23	0.49	0.37	1.36
1/2 x1/4	0.11	0.56	0.37	0.19	1.23	0.49	0.37	1.36
1/2 x3/8	0.86	0.70	0.50	0.19	1.23	0.49	0.37	1.36
3/4 x1/8	1.07	0.43	0.27	0.19	1.46	0.55	0.37	1.48
3/4 x1/4	1.07	0.56	0.37	0.19	1.46	0.55	0.37	1.48
3/4 x3/8	1.07	0.70	0.50	0.19	1.46	0.55	0.37	1.48
3/4 x1/2	1.07	0.86	0.62	0.19	1.46	0.55	0.37	1.48
1 x1/8	1.34	0.43	0.27	0.22	1.79	0.59	0.49	1.69
1 x1/4	1.34	0.56	0.37	0.22	1.79	0.59	0.49	1.69
1 x3/8	1.34	0.70	0.50	0.22	1.79	0.59	0.49	1.69
1 x1/2	1.34	0.86	0.62	0.22	1.79	0.59	0.49	1.69
1 x3/4	1.34	1.07	0.83	0.22	1.79	0.59	0.49	1.69
1-1/4 x1/8	1.69	0.43	0.27	0.24	2.17	0.67	0.49	1.85
1-1/4 x1/4	1.69	0.56	0.37	0.24	2.17	0.67	0.49	1.85
1-1/4 x3/8	1.69	0.70	0.50	0.24	2.17	0.67	0.49	1.85
1-1/4 x1/2	1.69	0.86	0.62	0.24	2.17	0.67	0.49	1.85
1-1/4 x3/4	1.69	1.07	0.83	0.24	2.17	0.67	0.49	1.85
1-1/4 x1	1.69	1.34	1.05	0.24	2.17	0.67	0.49	1.85
1-1/2 x1/8	1.93	0.43	0.27	0.25	2.43	0.69	0.49	1.89
1-1/2 x1/4	1.93	0.56	0.37	0.25	2.43	0.69	0.49	1.89
1-1/2 x3/8	1.93	0.70	0.50	0.25	2.43	0.69	0.49	1.89
1-1/2 x1/2	1.93	0.86	0.62	0.25	2.43	0.69	0.49	1.89
1-1/2 x3/4	1.93	1.07	0.83	0.25	2.43	0.69	0.49	1.89
1-1/2 x1	1.93	1.34	1.05	0.25	2.43	0.69	0.49	1.89
1-1/2 x1-1/4	1.93	1.69	1.38	0.25	2.43	0.69	0.49	1.89
2 x1/8	2.42	0.43	0.27	0.27	2.96	0.87	0.75	2.48
2 x1/4	2.42	0.56	0.37	0.27	2.96	0.87	0.75	2.48
2 x3/8	2.42	0.70	0.50	0.27	2.96	0.87	0.75	2.48
2 x1/2	2.42	0.86	0.62	0.27	2.96	0.87	0.75	2.48
2 x3/4	2.42	1.07	0.83	0.27	2.96	0.87	0.75	2.48
2 x1	2.42	1.34	1.05	0.27	2.96	0.87	0.75	2.48
2 x1-1/4	2.42	1.69	1.38	0.27	2.96	0.87	0.75	2.48
2 x1-1/2	2.42	1.93	1.61	0.27	2.96	0.87	0.75	2.48
2-1/2 x1-1/4	2.92	1.69	1.38	0.35	3.61	0.87	0.75	2.48
2-1/2 x1-1/2	2.92	1.93	1.61	0.35	3.61	0.87	0.75	2.48
2-1/2 x2	2.92	2.42	2.07	0.35	3.61	0.87	0.75	2.48
3 x1-1/2	3.54	1.93	1.61	0.38	4.30	0.87	0.75	2.48
3 x2	3.54	2.42	2.07	0.38	4.30	0.87	0.75	2.48
3 x2-1/2	3.54	2.92	2.47	0.38	4.30	0.87	0.75	2.48
4 x2	4.54	2.42	2.07	0.42	5.39	0.87	0.75	2.48
4 x2-1/2	4.54	2.92	2.47	0.42	5.39	0.87	0.75	2.48
4 x3	4.54	3.54	3.07	0.42	5.39	0.87	0.75	2.48



FITTINGS HIGH PRESSURE ASTM A-182

REDUCING COUPLING THREADED

cobrival.com



DIMENSIONS

unit : inch

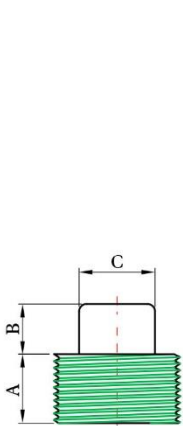
SIZE	T1-n	T2-n	L	D	d	d1	L1	L2	L3
1/4 x1/8	0.71	1.06	1.38	0.75	0.44	0.32	0.50	0.35	0.69
3/8 x1/8	0.71	1.06	1.50	0.87	0.57	0.32	0.52	0.35	0.75
3/8 x1/4	0.71	0.71	1.50	0.87	0.57	0.44	0.52	0.50	0.75
1/2 x1/4	0.55	0.71	1.89	1.10	0.68	0.44	0.68	0.50	0.94
1/2 x3/8	0.55	0.71	1.89	1.10	0.68	0.57	0.68	0.52	0.94
3/4 x3/8	0.55	0.71	2.01	1.38	0.89	0.57	0.70	0.52	1.00
3/4 x1/2	0.55	0.55	2.01	1.38	0.89	0.68	0.70	0.68	1.00
1 x3/8	0.45	0.71	2.36	1.73	1.12	0.57	0.83	0.52	1.18
1 x1/2	0.45	0.55	2.36	1.73	1.12	0.68	0.83	0.68	1.18
1 x3/4	0.45	0.55	2.36	1.73	1.12	0.89	0.83	0.70	1.18
1-1/4 x1/2	0.45	0.55	2.64	2.24	1.46	0.68	0.85	0.68	1.32
1-1/4 x3/4	0.45	0.55	2.64	2.24	1.46	0.89	0.85	0.70	1.32
1-1/4 x1	0.45	0.45	2.64	2.24	1.46	1.12	0.85	0.83	1.32
1-1/2 x1/2	0.45	0.55	3.11	2.52	1.70	0.68	0.85	0.68	1.56
1-1/2 x3/4	0.45	0.55	3.11	2.52	1.70	0.89	0.85	0.70	1.56
1-1/2 x1	0.45	0.45	3.11	2.52	1.70	1.12	0.85	0.83	1.56
1-1/2 x1-1/4	0.45	0.45	3.11	2.52	1.70	1.46	0.85	0.85	1.56
2 x3/4	0.45	0.55	3.39	2.99	2.17	0.89	0.87	0.70	1.69
2 x1	0.45	0.45	3.39	2.99	2.17	1.12	0.87	0.83	1.69
2 x1-1/4	0.45	0.45	3.39	2.99	2.17	1.46	0.87	0.85	1.69
2 x1-1/2	0.45	0.45	3.39	2.99	2.17	1.70	0.87	0.85	1.69
2-1/2 x1	0.31	0.45	3.62	3.62	2.58	1.12	1.18	0.83	1.81
2-1/2 x1-1/4	0.31	0.45	3.62	3.62	2.58	1.46	1.18	0.85	1.81
2-1/2 x1-1/2	0.31	0.45	3.62	3.62	2.58	1.70	1.18	0.85	1.81
2-1/2 x2	0.31	0.45	3.62	3.62	2.58	2.17	1.18	0.87	1.81
3 x1	0.31	0.45	4.25	4.25	3.21	1.12	1.27	0.83	2.13
3 x1-1/4	0.31	0.45	4.25	4.25	3.21	1.46	1.27	0.85	2.13
3 x1-1/2	0.31	0.45	4.25	4.25	3.21	1.70	1.27	0.85	2.13
3 x2	0.31	0.45	4.25	4.25	3.21	2.17	1.27	0.87	2.13
3 x2-1/2	0.31	0.31	4.25	4.25	3.21	2.58	1.27	1.18	2.13
4 x1-1/4	0.31	0.45	4.76	5.51	4.20	1.46	1.34	0.85	2.38
4 x1-1/2	0.31	0.45	4.76	5.51	4.20	1.70	1.34	0.85	2.38
4 x2	0.31	0.45	4.76	5.51	4.20	2.17	1.34	0.87	2.38
4 x2-1/2	0.31	0.31	4.76	5.51	4.20	2.58	1.34	1.18	2.38



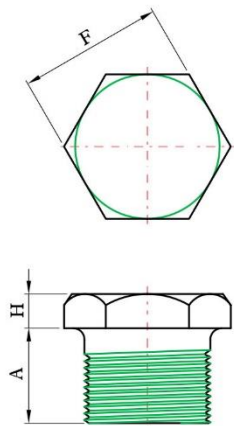
FITTINGS HIGH PRESSURE ASTM A-182

SQUARE HEAD PLUG / HEX HEAD PLUG / ROUND HEAD PLUG / HEX HEAD BUSHING THREADED

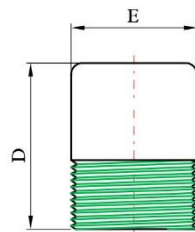
cobrival.com



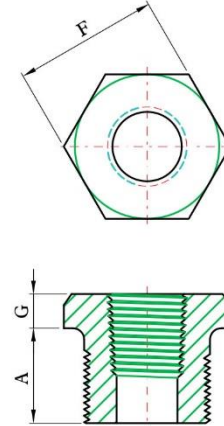
SQUARE HEAD PLUG



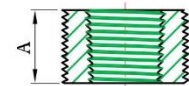
HEX HEAD PLUG



ROUND HEAD PLUG



HEX HEAD(1) BUSHING



FLUSH BUSHING

DIMENSIONS

unit : inch

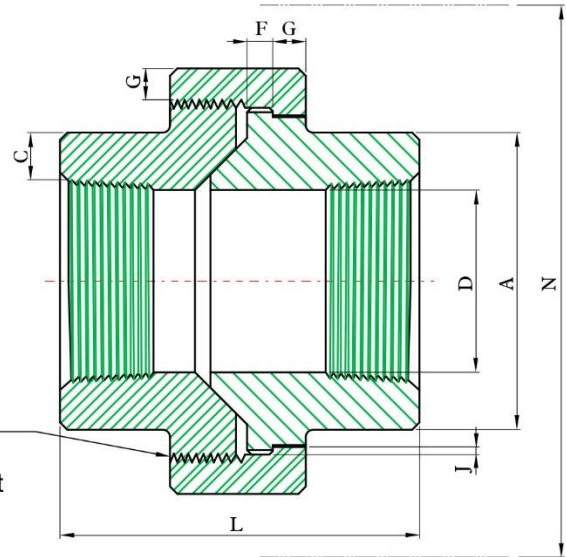
DN	Nom. Pipe Size	Length (Min.) A	Plugs Square Head		Plugs Round Head		Hex Plugs & Bushings		
			Height of Square (Min.) B	Width Flats (Min.) C	Nominal Diameter of Head E	Length (Min.) D	Width Flats (Nom.) F	Hex Height (Min.)	
								Bushing G	Plug H
6	1/8	0.394	0.236	0.276	0.394	1.378	0.433	----	0.236
8	1/4	0.433	0.236	0.394	0.551	1.614	0.630	0.118	0.236
10	3/8	0.512	0.315	0.433	0.709	1.614	0.709	0.157	0.315
15	1/2	0.551	0.394	0.551	0.827	1.732	0.866	0.197	0.315
20	3/4	0.630	0.433	0.630	1.063	1.732	1.063	0.236	0.394
25	1	0.748	0.512	0.827	1.299	2.008	1.417	0.236	0.394
32	1-1/4	0.827	0.551	0.945	1.693	2.008	1.811	0.276	0.551
40	1-1/2	0.827	0.630	1.102	1.890	2.008	1.969	0.315	0.630
50	2	0.866	0.709	1.260	2.362	2.520	2.559	0.354	0.709
65	2-1/2	1.063	0.748	1.417	2.874	2.756	2.953	0.394	0.748
80	3	1.102	0.827	1.614	3.504	2.756	3.543	0.394	0.827
100	4	1.260	0.984	2.559	4.488	2.992	4.528	0.512	0.984



FITTINGS HIGH PRESSURE ASTM A-182

UNION THREADED

cobrival.com



H-Thrd's
Minimum 4 Full Thrd's
Engagement Class 2A/2B Fit

DIMENSIONS

unit : inch

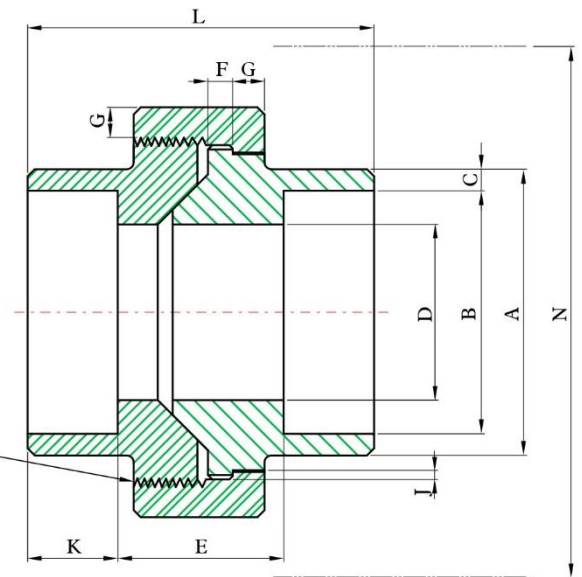
Nom. Pipe Size	Pipe End Min. A	Wall Min. C	Water Way Bore D	Male Flange Min. F	Nut Min. G	Thrds. Per 25.4mm Max. H	Bearing Min. J	Length Assem. L	Clear Assem. Nut N
1/8	0.579	0.095	0.269 0.253	0.125	0.126	0.630	0.049	1.630	1.929
1/4	0.748	0.119	0.388 0.372	0.125	0.126	0.630	0.049	1.630	1.929
3/8	0.902	0.126	0.548 0.532	0.135	0.134	0.551	0.054	1.811	2.165
1/2	1.091	0.147	0.688 0.672	0.145	0.146	0.551	0.059	1.929	2.244
3/4	1.319	0.154	0.858 0.842	0.160	0.161	0.433	0.066	2.240	2.638
1	1.630	0.179	1.108 1.092	0.180	0.173	0.433	0.073	2.441	3.110
1-1/4	1.988	0.191	1.408 1.392	0.210	0.205	0.433	0.084	2.799	3.701
1-1/2	2.252	0.200	1.638 1.622	0.230	0.220	0.394	0.091	3.008	4.370
2	2.760	0.218	2.068 2.052	0.260	0.252	0.394	0.106	3.390	5.197
2-1/2	3.358	0.276	2.548 2.532	0.295	0.280	0.315	0.121	4.031	5.827
3	4.031	0.300	3.058 3.042	0.325	0.315	0.315	0.139	4.291	6.890



FITTINGS HIGH PRESSURE ASTM A-182

UNION SOCKET WELD

cobrival.com



H-Thrd's
Minimum 4 Full Thrd's
Engagement Class 2A/2B Fit

DIMENSIONS

unit : inch

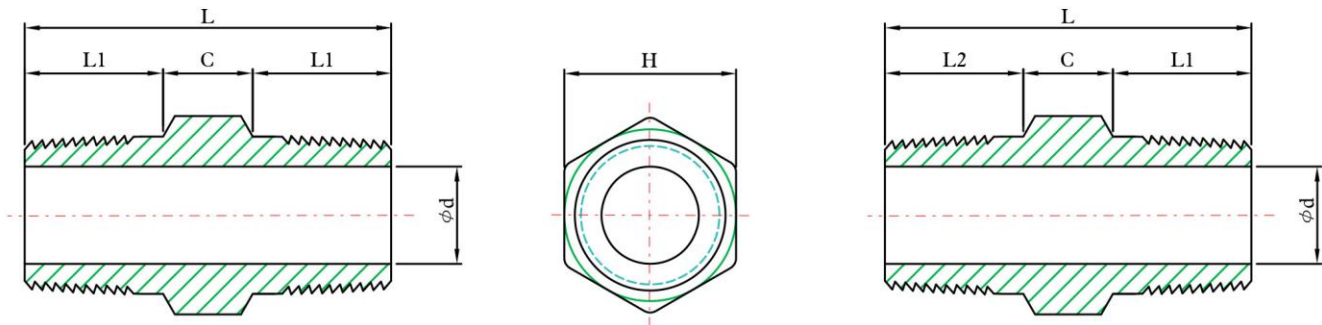
Nom. Pipe Size	Pipe End	Socket Bore Dia.	Socket Wall	Water Way Bore	Laying Length	Male Flange	Nut	Thrds. Per 25.4mm Max. H	Bearing	Depth of Socket Min. K	Length Assem. Nom. L	Clear Assem. Nut N
	Min. A	B	Min. C	D	E	Min. F	Min. G		Min. J			
1/8	0.858	0.430 0.420	0.125	0.269 0.253	0.882 0.748	0.125	0.125	0.630	0.049	0.378	1.630	1.929
1/4	0.858	0.560 0.550	0.130	0.388 0.372	0.882 0.748	0.125	0.125	0.630	0.049	0.378	1.630	1.929
3/8	1.020	0.700 0.690	0.137	0.548 0.532	1.059 0.811	0.135	0.135	0.551	0.054	0.378	1.811	2.165
1/2	1.228	0.860 0.850	0.160	0.688 0.672	1.059 0.811	0.145	0.145	0.551	0.059	0.378	1.929	2.244
3/4	1.461	1.070 1.060	0.168	0.858 0.842	1.252 1.000	0.160	0.160	0.433	0.066	0.500	2.240	2.638
1	1.791	1.340 1.330	0.195	1.108 1.092	1.350 1.031	0.180	0.175	0.433	0.073	0.500	2.441	3.110
1-1/4	2.161	1.680 1.670	0.208	1.408 1.392	1.598 1.280	0.210	0.205	0.433	0.084	0.500	2.799	3.701
1-1/2	2.421	1.920 1.910	0.218	1.638 1.622	1.661 1.339	0.230	0.220	0.394	0.091	0.500	3.012	4.370
2	2.961	2.420 2.410	0.238	2.068 2.052	1.791 1.469	0.260	0.250	0.394	0.106	0.622	3.390	5.197
2-1/2	3.610	2.920 2.900	0.301	2.548 2.532	2.429 2.051	0.295	0.280	0.315	0.121	0.622	4.031	5.827
3	4.299	3.550 3.530	0.327	3.058 3.042	2.512 2.110	0.325	0.315	0.315	0.139	0.622	4.291	6.890



FITTINGS HIGH PRESSURE ASTM A-182

NIPPLE HEX THREADED

cobrival.com



unit : inch / lb

Size NPS	C	L1	L	d	H	Unit Weight in Kgs
1/8	0.236	0.394	1.024	0.157	0.472	0.03
1/4	0.315	0.551	1.417	0.264	0.669	0.04
3/8	0.315	0.551	1.417	0.350	0.748	0.05
1/2	0.354	0.748	1.850	0.469	0.945	0.09
3/4	0.394	0.748	1.890	0.630	1.181	0.15
1	0.433	0.945	2.323	0.791	1.378	0.27
1-1/4	0.472	0.945	2.362	1.098	1.811	0.45
1-1/2	0.551	0.945	2.441	1.260	1.969	0.62
2	0.630	1.024	2.677	1.571	2.559	1.03
2-1/2	0.709	1.496	3.701	2.169	3.150	1.51
3	0.787	1.575	3.937	2.559	3.740	2.22
4	0.965	1.575	4.134	3.346	4.941	4.00

DIMENSIONS

unit : inch / lb

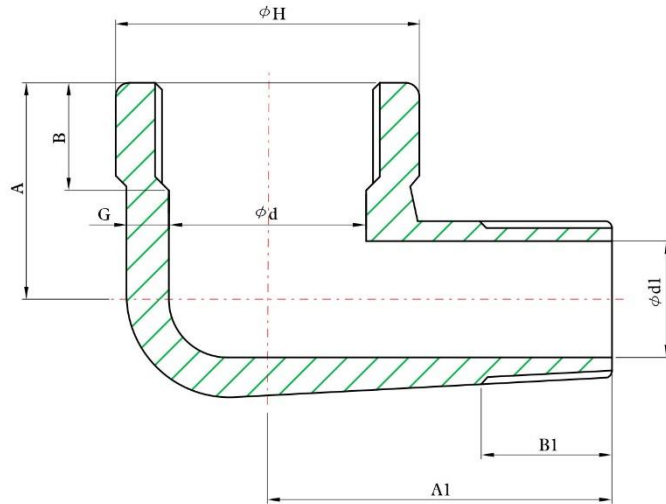
Size NPS	C	L1	L2	L	d	H	Unit Weight in Kgs
3/8 X 1/4	0.315	0.551	0.551	1.417	0.264	0.748	0.05
1/2 X 1/4	0.354	0.748	0.551	1.654	0.264	0.945	0.09
1/2 X 3/8	0.354	0.748	0.551	1.654	0.350	0.945	0.09
3/4 X 1/4	0.394	0.748	0.551	1.693	0.264	1.181	0.15
3/4 X 3/8	0.394	0.748	0.551	1.693	0.350	1.181	0.15
3/4 X 1/2	0.394	0.748	0.748	1.890	0.469	1.181	0.15
1 X 3/8	0.433	0.945	0.551	1.929	0.350	1.339	0.27
1 X 1/2	0.433	0.945	0.748	2.126	0.469	1.339	0.27
1 X 3/4	0.433	0.945	0.748	2.126	0.630	1.339	0.27
1-1/4 X 1/2	0.472	0.945	0.748	2.165	0.469	1.811	0.45
1-1/4 X 3/4	0.472	0.945	0.748	2.165	0.630	1.811	0.45
1-1/4 X 1	0.472	0.945	0.945	2.362	0.791	1.811	0.45
1-1/2 X 3/4	0.551	0.945	0.748	2.244	0.630	1.969	0.62
1-1/2 X 1	0.551	0.945	0.945	2.441	0.791	1.969	0.62
1-1/2 X 1-1/4	0.551	0.945	0.945	2.441	1.098	1.969	0.62
2 X 1	0.630	1.024	0.945	2.598	0.791	2.559	1.03
2 X 1-1/4	0.630	1.024	0.945	2.598	1.098	2.559	1.03
2 X 1-1/2	0.630	1.024	0.945	2.598	1.260	2.559	1.03
2-1/2 X 1-1/4	0.709	1.496	0.945	3.150	1.098	3.150	1.51
2-1/2 X 1-1/2	0.709	1.496	0.945	3.150	1.260	3.150	1.51
2-1/2 X 2	0.709	1.496	1.024	3.228	1.571	3.150	1.51
3 X 1-1/2	0.787	1.575	0.945	3.307	1.260	3.740	2.22
3 X 2	0.787	1.575	1.024	3.386	1.571	3.740	2.22
3 X 2-1/2	0.787	1.575	1.496	3.858	2.169	3.740	2.22



FITTINGS HIGH PRESSURE ASTM A-182

STREET ELBOW THREADED

cobrival.com



DIMENSIONS

3000Lbs

unit : inch

Dim Nom. Pipe Size	H	A	A1	d	d1	G (Min)	B (Min)	B1 (Min)
1/4	0.984	0.874	1.248	0.441	0.276	0.130	0.315	0.406
3/8	1.299	1.000	1.500	0.571	0.354	0.138	0.354	0.409
1/2	1.496	1.126	1.622	0.618	0.512	0.161	0.433	0.535
3/4	1.811	1.374	1.874	0.823	0.630	0.170	0.492	0.543
1	2.205	1.752	2.268	1.047	0.787	0.196	0.571	0.681
1-1/4	2.441	2.000	2.626	1.378	1.102	0.208	0.669	0.709
1-1/2	2.953	2.126	2.811	1.610	1.181	0.219	0.709	0.724
2	3.307	2.500	3.307	2.067	1.575	0.281	0.748	0.760

6000Lbs

unit : inch

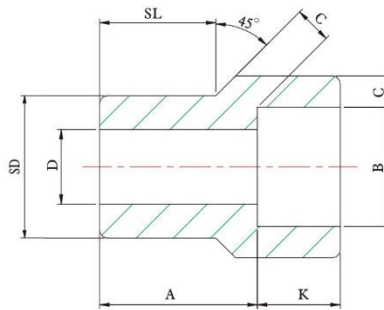
Dim Nom. Pipe Size	H	A	A1	d	d1	G (Min)	B (Min)	B1 (Min)
1/4	1.299	1.000	1.500	0.441	0.118	0.260	0.315	0.406
3/8	1.496	1.126	1.622	0.571	0.185	0.275	0.354	0.409
1/2	1.811	1.374	1.874	0.618	0.248	0.321	0.433	0.535
3/4	2.205	1.752	2.252	0.823	0.437	0.336	0.492	0.543
1	2.441	2.000	2.626	1.047	0.598	0.391	0.571	0.681
1-1/4	2.441	2.000	2.626	1.378	1.102	0.208	0.669	0.709
1-1/2	3.307	2.500	3.307	1.610	1.098	0.436	0.709	0.724



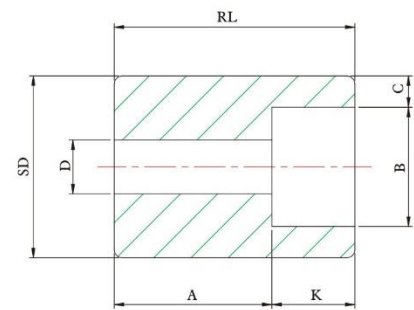
FITTINGS HIGH PRESSURE ASTM A-182

REDUCER INSERT

cobrival.com



TYPE 1



TYPE 2⁽¹⁾

DIMENSIONS

unit : inch

Nom. Pipe Size	Type (2)		Socket		Shank Dia. SD	Laying Length A		Bore D		Wall (Min) c		Length			
			Dia.	Depth (Min)								SL		RL (Min)	
	3M	6M	B	K		3M	6M	3M	6M	3M	6M	3M	6M	3M	6M
3/8 X 1/4	1	1	0.56	0.39	0.68	0.75	0.83	0.35	0.26	0.15	0.18	0.55	0.63	-	-
1/2 X 3/8	1	1	0.70	0.39	0.84	0.83	0.91	0.49	0.35	0.16	0.20	0.63	0.63	-	-
1/2 X 1/4	1	1	0.56	0.39	0.84	0.83	0.83	0.35	0.26	0.15	0.18	0.63	0.63	-	-
3/4 X 1/2	1	1	0.86	0.39	1.05	0.87	0.98	0.63	0.47	0.18	0.24	0.67	0.75	-	-
3/4 X 3/8	2	1	0.70	0.39	1.05	0.63	0.87	0.49	0.35	0.16	0.20	-	0.75	1.06	-
3/4 X 1/4	2	2	0.56	0.39	1.05	0.71	0.87	0.35	0.26	0.15	0.18	-	-	1.06	1.26
1 X 3/4	1	1	1.08	0.51	1.31	0.94	1.10	0.83	0.61	0.19	0.27	0.75	0.83	-	-
1 X 1/2	2	1	0.86	0.39	1.31	0.63	1.10	0.63	0.47	0.18	0.24	-	0.83	1.10	-
1 X 3/8	2	2	0.70	0.39	1.31	0.71	0.87	0.49	0.35	0.16	0.20	-	-	1.10	1.30
1 X 1/4	2	2	0.56	0.39	1.31	0.75	0.94	0.35	0.26	0.15	0.18	-	-	1.10	1.30
1-1/4 X 1	1	1	1.34	0.51	1.66	0.98	1.18	1.04	0.81	0.22	0.31	0.83	0.87	-	-
1-1/4 X 3/4	2	2	1.08	0.51	1.66	0.71	0.83	0.83	0.61	0.19	0.27	-	-	1.26	1.38
1-1/4 X 1/2	2	2	0.86	0.39	1.66	0.75	0.87	0.63	0.47	0.18	0.24	-	-	1.26	1.38
1-1/4 X 3/8	2	2	0.70	0.39	1.66	0.83	0.94	0.49	0.35	0.16	0.20	-	-	1.26	1.38
1-1/4 X 1/4	2	2	0.56	0.39	1.66	0.87	0.98	0.35	0.26	0.15	0.18	-	-	1.26	1.38
1-1/2 X 1-1/4	1	1	1.69	0.51	1.90	1.10	1.38	1.38	1.15	0.24	0.31	0.87	0.98	-	-
1-1/2 X 1	2	1	1.34	0.51	1.90	0.71	1.13	1.04	0.81	0.22	0.31	-	0.98	1.30	-
1-1/2 X 3/4	2	2	1.08	0.51	1.90	0.75	0.98	0.83	0.61	0.19	0.27	-	-	1.30	1.57
1-1/2 X 1/2	2	2	0.86	0.39	1.90	0.83	1.06	0.63	0.47	0.18	0.24	-	-	1.30	1.57
1-1/2 X 3/8	2	2	0.70	0.39	1.90	0.87	1.10	0.49	0.35	0.16	0.20	-	-	1.30	1.57
2 X 1-1/2	1	1	1.93	0.51	2.38	1.26	1.54	1.61	1.34	0.25	0.35	0.98	1.10	-	-
2 X 1-1/4	2	2	1.69	0.51	2.38	0.83	0.94	1.38	1.15	0.24	0.31	-	-	1.50	1.61
2 X 1	2	2	1.34	0.51	2.38	0.87	0.98	1.04	0.83	0.22	0.31	-	-	1.50	1.61
2 X 3/4	2	2	1.08	0.51	2.38	0.94	1.06	0.83	0.61	0.19	0.27	-	-	1.50	1.61
2 X 1/2	2	2	0.86	0.39	2.37	0.98	1.10	0.62	0.47	0.18	0.23	-	-	1.50	1.61

1. At the option of the manufacturer type 2 Reducers may be furnished in type 1 configuration .

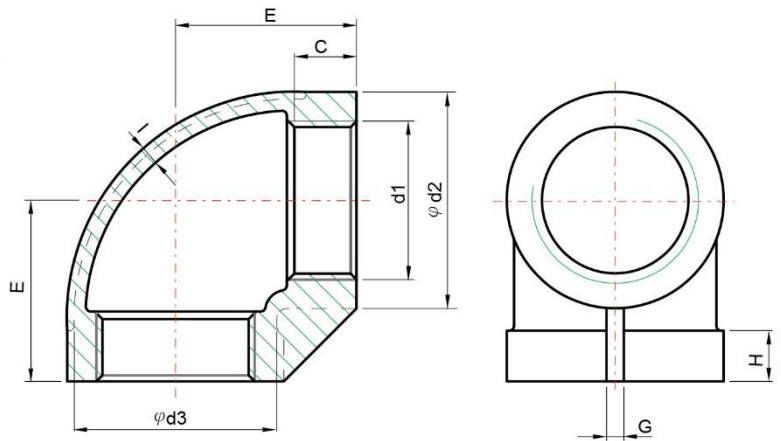
2. 3M & 6M symbols 3000 and 6000 classes .



FITTINGS CAST CLASS 150

90° ELBOWS THREADED

cobrival.com



DESIGN FEATURES:

- 🔴 THREAD: NPT
- 🔴 CF8 (304) & CF8M (316)

DIMENSIONS

unit : inch

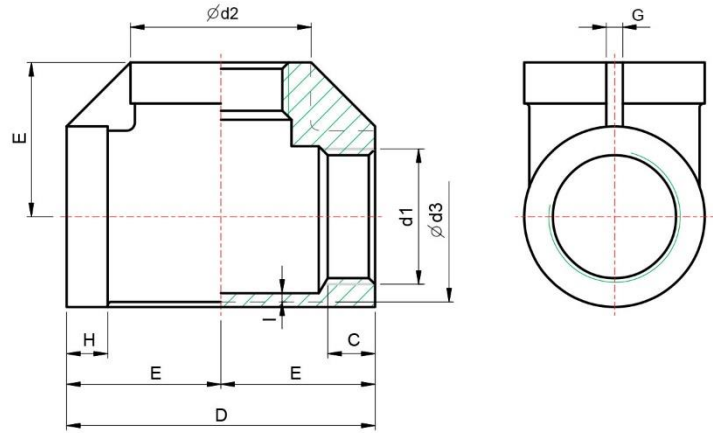
SIZE	d1	d2	d3	C	E	G	H	I
1/8"	1/8"	0.63	0.53	0.24	0.67	0.14	0.24	0.08
1/4"	1/4"	0.75	0.61	0.37	0.77	0.16	0.24	0.08
3/8"	3/8"	0.89	0.77	0.38	0.94	0.16	0.31	0.10
1/2"	1/2"	1.10	1.02	0.39	1.14	0.12	0.30	0.08
3/4"	3/4"	1.34	1.24	0.41	1.26	0.12	0.35	0.08
1"	1"	1.69	1.61	0.55	1.46	0.16	0.39	0.10
1 1/4"	1 1/4"	2.01	1.89	0.63	1.71	0.20	0.43	0.10
1 1/2"	1 1/2"	2.32	2.22	0.61	1.89	0.20	0.47	0.10
2"	2"	2.83	2.68	0.71	2.19	0.22	0.51	0.10
2 1/2"	2 1/2"	3.54	3.39	0.87	2.64	0.35	0.55	0.12
3"	3"	4.17	4.02	0.94	3.03	0.39	0.59	0.14
4"	4"	5.20	5.00	1.02	3.78	0.33	0.65	0.14



FITTINGS CAST CLASS 150

TEE THREADED

cobrival.com



DESIGN FEATURES:

- THREAD: NPT
- CF8 (304) & CF8M (316)

DIMENSIONS

unit : inch

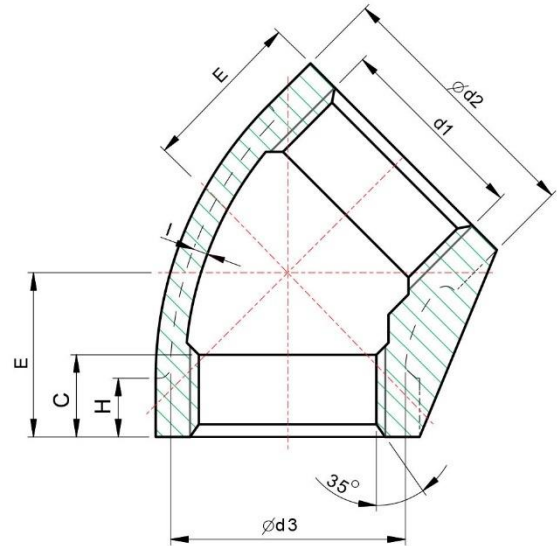
SIZE	d1	d2	d3	C	D	E	G	H	I
1/8"	1/8"	0.63	0.53	0.24	1.42	0.71	0.12	0.24	0.10
1/4"	1/4"	0.75	0.61	0.37	1.04	0.77	0.12	0.24	0.08
3/8"	3/8"	0.89	0.77	0.38	1.85	0.93	0.12	0.26	0.10
1/2"	1/2"	1.10	1.02	0.39	2.28	1.14	0.12	0.30	0.08
3/4"	3/4"	1.34	1.24	0.39	2.56	1.28	0.12	0.33	0.08
1"	1"	1.69	1.57	0.51	2.91	1.46	0.16	0.37	0.08
1 1/4"	1 1/4"	2.01	1.89	0.65	3.50	1.75	0.20	0.41	0.08
1 1/2"	1 1/2"	2.32	2.22	0.63	3.82	1.91	0.20	0.45	0.10
2"	2"	2.83	2.68	0.71	4.45	2.22	0.24	0.47	0.10
2 1/2"	2 1/2"	3.54	3.39	0.91	5.35	2.68	0.35	0.57	0.16
3"	3"	4.17	4.00	0.96	6.18	3.09	0.39	0.59	0.16
4"	4"	5.20	5.00	1.02	7.68	3.84	0.35	0.61	0.16



FITTINGS CAST CLASS 150

45° ELBOW THREADED

cobrival.com



DESIGN FEATURES:

- THREAD: NPT
- CF8 (304) & CF8M (316)

DIMENSIONS

unit : inch

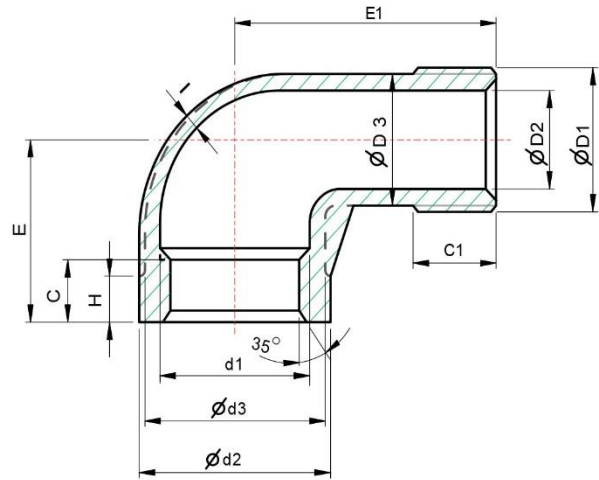
SIZE	d 1	d 2	d 3	C	E	H	I
1/8"	1/8"	0.63	0.53	0.28	0.63	0.24	0.08
1/4"	1/4"	0.75	0.61	0.37	0.67	0.26	0.08
3/8"	3/8"	0.89	0.77	0.38	0.75	0.24	0.08
1/2"	1/2"	1.18	1.10	0.39	0.83	0.31	0.10
3/4"	3/4"	1.42	1.34	0.43	0.94	0.39	0.10
1"	1"	1.77	1.57	0.55	1.10	0.39	0.10
1 1/4"	1 1/4"	2.22	1.91	0.61	1.30	0.43	0.10
1 1/2"	1 1/2"	2.30	2.20	0.61	1.42	0.49	0.10
2"	2"	2.83	2.68	0.65	1.65	0.51	0.10
2 1/2"	2 1/2"	3.54	3.43	0.87	1.93	0.55	0.16
3"	3"	4.17	4.00	0.98	2.13	0.59	0.16
4"	4"	6.24	4.25	0.98	2.56	0.59	0.16



FITTINGS CAST CLASS 150

90° STREET ELBOW THREADED

cobrival.com



DESIGN FEATURES:

- 🔴 THREAD: NPT
- 🔴 CF8 (304) & CF8M (316)

DIMENSIONS

unit : inch

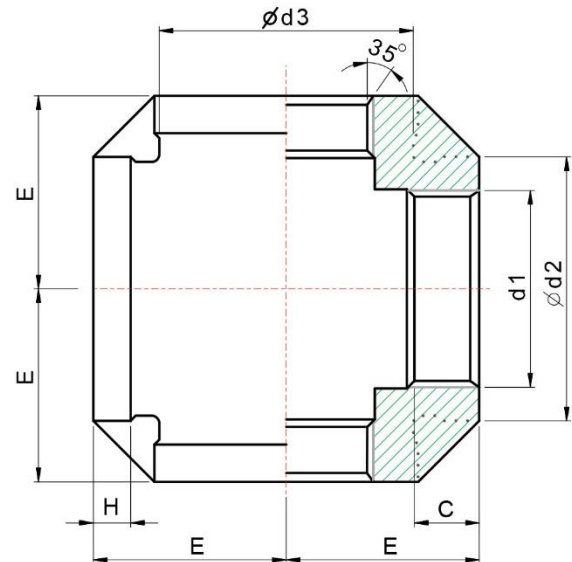
SIZE	d1	d2	d3	C	E	H	D1	D2	D3	C1	E1	I
1/8"	1/8"	0.59	0.47	0.28	0.71	0.20	1/8"	0.20	0.35	0.31	1.02	0.08
1/4"	1/4"	0.71	0.59	0.41	0.87	0.20	1/4"	0.24	0.47	0.43	1.22	0.08
3/8"	3/8"	0.89	0.79	0.41	0.87	0.24	3/8"	0.35	0.55	0.43	1.54	0.08
1/2"	1/2"	1.10	1.02	0.39	1.06	0.31	1/2"	0.55	0.75	0.51	1.61	0.08
3/4"	3/4"	1.42	1.30	0.47	1.30	0.35	3/4"	0.79	0.98	0.51	1.85	0.08
1"	1"	1.77	1.65	0.55	1.46	0.35	1"	0.98	1.22	0.73	2.09	0.08
1 1/4"	1 1/4"	2.05	1.97	0.67	1.73	0.43	1 1/4"	1.30	1.56	0.75	2.48	0.10
1 1/2"	1 1/2"	2.36	2.24	0.67	1.85	0.43	1 1/2"	1.57	1.83	0.75	2.72	0.10
2"	2"	2.87	2.72	0.71	2.32	0.51	2"	1.97	2.24	0.85	3.15	0.10
2 1/2"	2 1/2"	3.54	3.39	0.91	2.60	0.59	2 1/2"	2.24	2.60	0.94	4.13	0.16
3"	3"	4.17	3.98	0.94	3.09	0.65	3"	2.91	3.19	1.14	4.45	0.16
4"	4"	5.14	5.04	1.02	3.86	0.77	4"	3.82	4.17	1.34	5.12	0.16



FITTINGS CAST CLASS 150

CROSS THREADED

cobrival.com



DESIGN FEATURES:

- 🔴 THREAD: NPT
- 🔴 CF8 (304) & CF8M (316)

DIMENSIONS

unit : inch

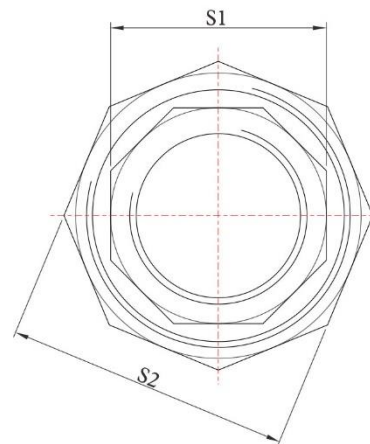
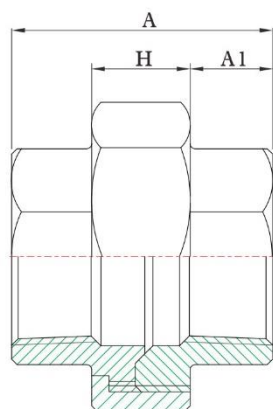
SIZE	d1	d2	d3	C	E	H
1/8"	1/8"	0.63	0.55	0.24	0.69	0.24
1/4"	1/4"	0.79	0.71	0.37	0.75	0.28
3/8"	3/8"	0.98	0.91	0.38	0.91	0.28
1/2"	1/2"	1.18	1.10	0.39	1.14	0.28
3/4"	3/4"	1.42	1.34	0.43	1.28	0.35
1"	1"	1.77	1.65	0.55	1.48	0.39
1 1/4"	1 1/4"	2.09	1.97	0.71	1.73	0.43
1 1/2"	1 1/2"	2.36	2.20	0.71	1.89	0.47
2"	2"	2.87	2.76	0.71	2.32	0.51
2 1/2"	2 1/2"	3.54	3.39	0.87	2.68	0.55
3"	3"	4.17	4.02	0.98	3.07	0.59
4"	4"	5.20	5.04	1.02	3.82	0.63



FITTINGS CAST CLASS 150

UNION THREADED

cobrival.com



DESIGN FEATURES:

- THREAD: NPT
- CF8 (304) & CF8M (316)

DIMENSIONS

unit : inch

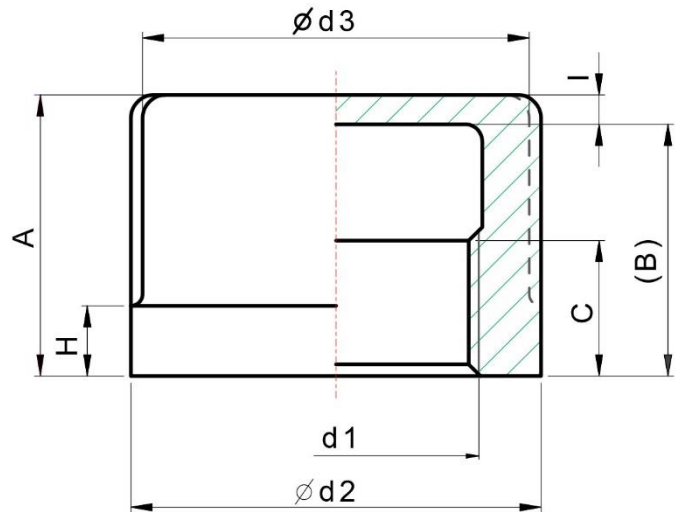
SIZE	A	A1	H	S1	S2
1/8"	1.46	0.47	0.59	0.71	1.14
1/4"	1.46	0.47	0.59	0.71	1.14
3/8"	1.54	0.47	0.63	0.91	1.42
1/2"	1.61	0.51	0.59	1.06	1.61
3/4"	1.65	0.63	0.63	1.26	1.93
1"	2.01	0.67	0.71	1.61	2.28
1-1/4"	2.05	0.63	0.83	1.97	2.68
1-1/2"	2.20	0.71	0.87	2.20	3.03
2"	2.36	0.71	0.98	2.72	3.62
2-1/2"	2.95	1.02	0.98	3.35	4.29
3"	3.50	1.18	1.14	3.90	4.92
4"	3.90	1.26	1.34	4.92	6.14



FITTINGS CAST CLASS 150

ROUND CAPS THREADED

cobrival.com



DESIGN FEATURES:

- 🔴 THREAD: NPT
- 🔴 CF8 (304) & CF8M (316)

DIMENSIONS

unit : inch

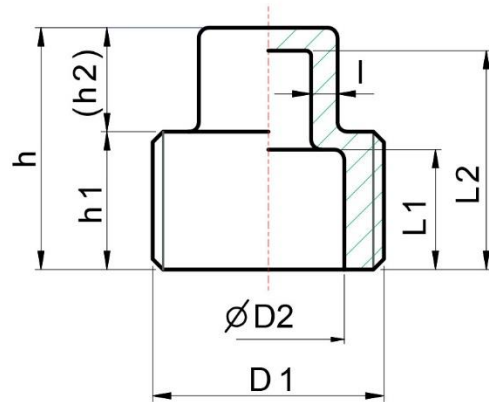
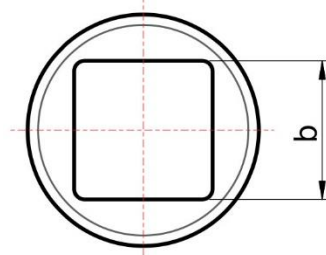
SIZE	d1	d2	d3	A	(B)	C	H	I
1/8"	1/8"	0.63	0.53	0.59	0.47	0.24	0.26	0.12
1/4"	1/4"	0.79	0.71	0.87	0.75	0.37	0.26	0.12
3/8"	3/8"	1.00	0.93	0.96	0.87	0.38	0.30	0.10
1/2"	1/2"	1.18	1.10	1.10	0.98	0.39	0.30	0.12
3/4"	3/4"	1.42	1.30	1.10	0.98	0.39	0.33	0.12
1"	1"	1.75	1.63	1.26	1.14	0.55	0.35	0.12
1 1/4"	1 1/4"	2.09	1.97	1.28	1.12	0.65	0.43	0.16
1 1/2"	1 1/2"	2.36	2.24	1.42	1.22	0.65	0.43	0.20
2"	2"	2.91	2.76	1.54	1.34	0.71	0.47	0.20
2 1/2"	2 1/2"	3.58	3.39	1.69	1.54	0.87	0.55	0.24
3"	3"	4.33	4.09	1.87	1.63	0.91	0.55	0.24
4"	4"	5.47	5.24	2.05	1.77	1.02	0.59	0.24



FITTINGS CAST CLASS 150

SQUARE HEAD PLUG **THREADED**

cobrival.com



DESIGN FEATURES:

- 🔴 THREAD: NPT
- 🔴 CF8 (304) & CF8M (316)

DIMENSIONS

unit : inch

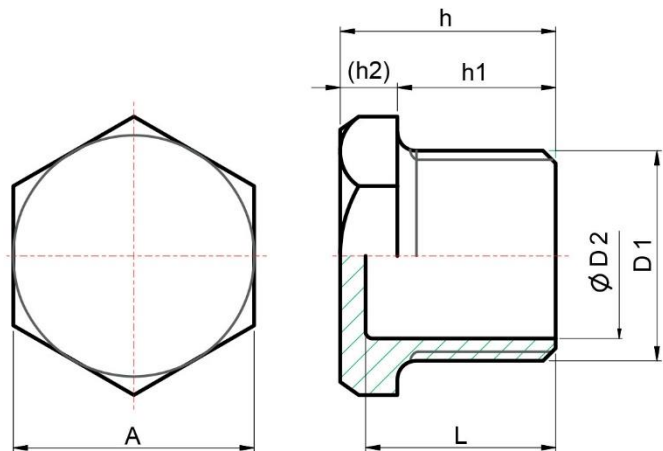
SIZE	b	D1	D2	L1	L2	h	h1	(h2)	l
1/8"	0.28	1/8"	-	-	-	0.71	0.39	0.31	-
1/4"	0.35	1/4"	-	-	-	0.75	0.39	0.35	-
3/8"	0.39	3/8"	-	-	-	0.79	0.43	0.35	-
1/2"	0.51	1/2"	0.57	0.47	0.83	0.91	0.51	0.39	0.10
3/4"	0.71	3/4"	0.71	0.57	1.02	1.18	0.71	0.47	0.10
1"	0.75	1"	0.98	0.71	1.22	1.30	0.83	0.47	0.10
1 1/4"	0.91	1 1/4"	1.34	0.75	1.42	1.54	0.91	0.63	0.10
1 1/2"	1.02	1 1/2"	1.54	0.83	1.42	1.57	0.91	0.67	0.10
2"	1.14	2"	1.97	0.91	1.65	1.77	1.02	0.75	0.10
2 1/2"	1.57	2 1/2"	2.36	0.94	1.61	1.89	1.10	0.79	0.12
3"	1.73	3"	2.95	1.06	1.97	2.13	1.26	0.87	0.12
4"	2.32	4"	3.98	1.22	2.17	2.32	1.46	0.87	0.12



FITTINGS CAST CLASS 150

HEX HEAD PLUG THREADED

cobrival.com



DESIGN FEATURES:

- 🔴 THREAD: NPT
- 🔴 CF8 (304) & CF8M (316)

DIMENSIONS

unit : inch

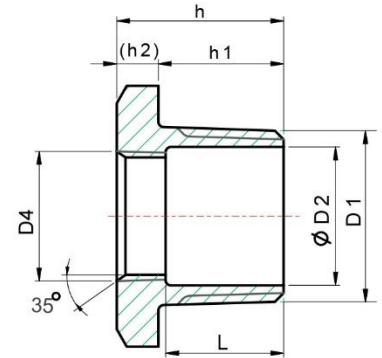
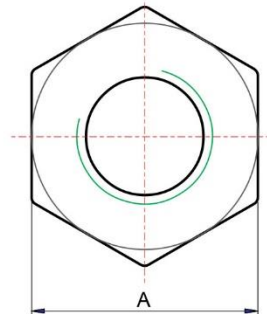
SIZE	D 1	D 2	L	A	h	h 1	(h 2)
1/8"	1/8"	—	—	0.55	0.71	0.43	0.24
1/4"	1/4"	—	—	0.67	0.91	0.67	0.24
3/8"	3/8"	0.35	0.81	0.83	0.93	0.67	0.26
1/2"	1/2"	0.57	0.98	1.02	1.10	0.79	0.31
3/4"	3/4"	0.71	0.98	1.26	1.10	0.79	0.31
1"	1"	1.02	1.18	1.50	1.34	0.98	0.35
1 1/4"	1 1/4"	1.34	1.22	1.81	1.38	0.98	0.39
1 1/2"	1 1/2"	1.52	1.30	2.05	1.42	0.98	0.43
2"	2"	1.97	1.34	2.56	1.48	1.02	0.45
2 1/2"	2 1/2"	2.36	1.38	3.15	1.57	1.10	0.47
3"	3"	2.95	1.54	3.74	1.77	1.26	0.51
4"	4"	3.94	1.77	4.72	2.01	1.46	0.55



FITTINGS CAST CLASS 150

HEX BUSHING THREADED

cobrival.com



DESIGN FEATURES:

- 🔴 THREAD: NPT
- 🔴 CF8 (304) & CF8M (316)

DIMENSIONS

unit : inch

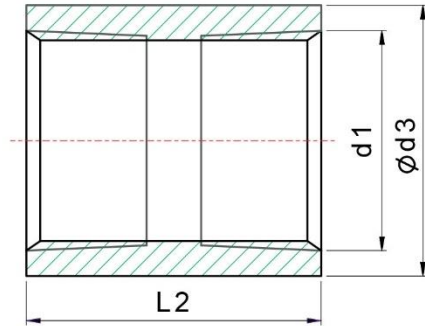
SIZE	A	L	D1	D2	D4	h	h1	(h2)
1/4"x1/8"	0.67	0.59	1/4"	0.33	1/8"	0.89	0.67	0.22
3/8"x1/8"	0.87	0.59	3/8"	0.43	1/8"	0.91	0.67	0.24
3/8"x1/4"	0.87	-	3/8"	0.43	1/4"	0.91	0.67	0.24
1/2"x1/8"	1.02	0.67	1/2"	0.57	1/8"	1.00	0.79	0.22
1/2"x1/4"	1.02	0.67	1/2"	0.57	1/4"	1.00	0.79	0.22
1/2"x3/8"	1.02	-	1/2"	0.57	3/8"	1.00	0.79	0.22
3/4"x1/8"	1.26	0.69	3/4"	0.71	1/8"	1.04	0.79	0.26
3/4"x1/4"	1.26	0.69	3/4"	0.71	1/4"	1.04	0.79	0.26
3/4"x3/8"	1.26	0.69	3/4"	0.71	3/8"	1.04	0.79	0.26
3/4"x1/2"	1.26	-	3/4"	0.71	1/2"	1.04	0.79	0.26
1"x1/8"	1.50	0.96	1"	1.02	1/8"	1.32	1.00	0.31
1"x1/4"	1.50	0.96	1"	1.02	1/4"	1.32	1.00	0.31
1"x3/8"	1.50	0.96	1"	1.02	3/8"	1.32	1.00	0.31
1"x1/2"	1.50	0.87	1"	1.02	1/2"	1.32	1.00	0.31
1"x3/4"	1.50	0.81	1"	1.02	3/4"	1.32	1.00	0.31
1 1/4"x1/8"	1.81	1.02	1 1/4"	13.8	1/8"	1.34	1.02	0.31
1 1/4"x1/4"	1.81	0.96	1 1/4"	13.8	1/4"	1.34	1.02	0.31
1 1/4"x3/8"	1.81	0.96	1 1/4"	13.8	3/8"	1.34	1.02	0.31
1 1/4"x1/2"	1.81	0.91	1 1/4"	13.8	1/2"	1.34	1.02	0.31
1 1/4"x3/4"	1.81	0.83	1 1/4"	13.8	3/4"	1.34	1.02	0.31
1 1/4"x1"	1.81	0.77	1 1/4"	13.8	1"	1.34	1.02	0.31



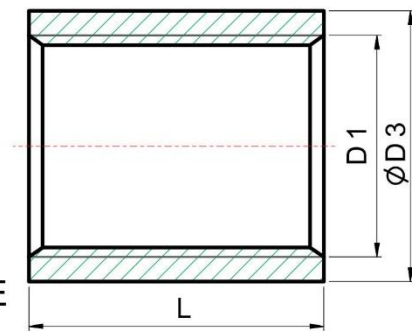
FITTINGS CAST CLASS 150

COUPLING THREADED

cobrival.com



BSPT,NPT



BSP,DIN 2999

DESIGN FEATURES:

- THREAD: NPT
- CF8 (304) & CF8M (316)
- MADE FROM STAINLESS STEEL WELDED PIPE

DIMENSIONS

unit : inch

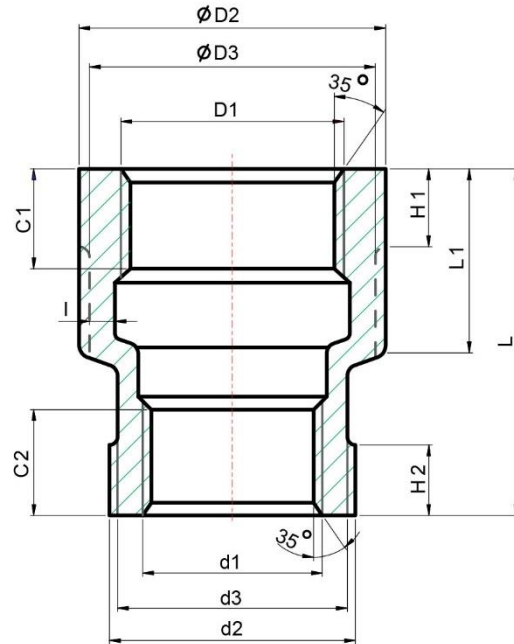
SIZE	d1	BSPT,NPT		D 1	BSP,DIN 2999	
		d3	L2		D 3	L
1/8"	1/8"	0.55	0.79	1/8"	0.55	0.79
1/4"	1/4"	0.73	1.06	1/4"	0.73	0.98
3/8"	3/8"	0.85	1.10	3/8"	0.85	1.02
1/2"	1/2"	1.04	1.42	1/2"	1.04	1.34
3/4"	3/4"	1.26	1.54	3/4"	1.26	1.42
1"	1"	1.56	1.69	1"	1.56	1.69
1 1/4"	1 1/4"	1.91	1.89	1 1/4"	1.91	1.89
1 1/2"	1 1/2"	2.15	1.89	1 1/2"	2.15	1.89
2"	2"	2.62	2.20	2"	2.62	2.20
2 1/2"	2 1/2"	3.31	2.56	2 1/2"	3.31	2.56
3"	3"	3.94	2.80	3"	3.74	2.80
4"	4"	5.08	3.27	4"	4.80	3.27
5"	5"	6.36	3.54	-	-	-
6"	6"	7.28	3.96	-	-	-



FITTINGS CAST CLASS 150

REDUCING COUPLING **THREADED**

cobrival.com



DESIGN FEATURES:

- 🔴 THREAD: NPT
- 🔴 CF8 (304) & CF8M (316).

DIMENSIONS

unit : inch

SIZE	D1	D2	D3	C1	H1	d1	d2	d3	C2	H2	L1	L	I
1/4"x1/8"	1/4"	0.79	0.71	0.31	0.24	1/8"	0.63	0.55	0.43	0.28	0.63	1.12	0.12
3/8"x1/8"	3/8"	1.00	0.91	0.37	0.28	1/8"	0.63	0.55	0.47	0.24	0.91	1.61	0.12
3/8"x1/4"	3/8"	1.00	0.91	0.38	0.28	1/4"	0.79	0.71	0.51	0.24	0.91	1.61	0.12
1/2"x1/8"	1/2"	1.18	1.10	0.39	0.31	1/8"	0.63	0.55	0.35	0.28	0.94	1.77	0.10
1/2"x1/4"	1/2"	1.18	1.10	0.39	0.31	1/4"	0.79	0.71	0.49	0.28	0.94	1.77	0.10
1/2"x3/8"	1/2"	1.18	1.10	0.39	0.31	3/8"	1.00	0.91	0.39	0.31	0.94	1.77	0.10
3/4"x1/8"	3/4"	1.42	1.30	0.39	0.35	1/8"	0.63	0.55	0.43	0.31	0.87	1.77	0.12
3/4"x1/4"	3/4"	1.42	1.30	0.39	0.35	1/4"	0.79	0.71	0.43	0.31	1.02	1.77	0.12
3/4"x3/8"	3/4"	1.42	1.30	0.39	0.35	3/8"	1.00	0.91	0.59	0.31	0.98	1.77	0.12
3/4"x1/2"	3/4"	1.42	1.30	0.39	0.35	1/2"	1.18	1.10	0.59	0.31	0.98	1.77	0.12
1"x1/8"	1"	1.77	1.65	0.55	0.35	1/8"	0.63	0.55	0.47	0.31	1.02	1.97	0.12
1"x1/4"	1"	1.77	1.65	0.55	0.43	1/4"	0.79	0.71	0.47	0.31	1.10	1.97	0.12
1"x3/8"	1"	1.77	1.65	0.55	0.43	3/8"	1.00	0.91	0.51	0.31	1.10	1.97	0.12
1"x1/2"	1"	1.77	1.65	0.55	0.43	1/2"	1.18	1.10	0.51	0.35	1.14	1.97	0.12
1"x3/4"	1"	1.77	1.65	0.55	0.43	3/4"	1.42	1.30	0.55	0.43	1.10	1.97	0.12
1 1/4"x1/4"	1 1/4"	2.09	1.97	0.71	0.43	1/4"	0.79	0.71	0.59	0.24	1.14	1.97	0.14
1 1/4"x3/8"	1 1/4"	2.09	1.97	0.71	0.43	3/8"	1.00	0.91	0.47	0.31	1.14	1.97	0.14
1 1/4"x1/2"	1 1/4"	2.09	1.97	0.63	0.43	1/2"	1.18	1.10	0.51	0.39	1.18	1.97	0.14
1 1/4"x3/4"	1 1/4"	2.09	1.97	0.63	0.47	3/4"	1.42	1.30	0.51	0.39	1.18	1.97	0.14
1 1/4"x1"	1 1/4"	2.09	1.97	0.63	0.47	1"	1.77	1.61	0.71	0.43	1.18	1.97	0.14



TC-02X VALVE
2PC FULL PORT 1000 psi (WOG) water, oil, gas BALL VALVE,
THREADED SIZE ¼"-4"



2 piece design Most economical Full Port Ball Valve

TC-03K, TC-03KC VALVE
3PC FULL PORT 1000 psi (WOG) water, oil, gas BALL VALVE,T/B/S SIZE
½"-2"



**3pc Contractor Compact valve with swing-out design for easy
Installation and in line valve seat/seal replacement**



VALVE BALL THREADED & FLANGED A-35 I

cobrival.com

TC-4000 (FS), TC-4100 (FS) VALVE

**3PC FULL PORT BALL VALVE, T/S SIZE ½"-1" 2000 psi 1-1/4 - 2" 1500 psi
(WITH ISO 5211 DIRECT MOUNT PAD)**



**3pc valve Direct Mount ball valve
ABS Type Approved / USCG POSITIVE SHUT-OFF**

TC-6000 (FS), TC-6100 (FS) VALVE

1PC 150# REDUCED PORT BALL VALVE, FLANGED SIZE ½"-6"



**API-607 Fire Safe Certified Unibody Design
Stainless and Carbon Steel in stock**



Av. Agrupamiento "I" No. 17 Col. Aragón Narciso Bassols Del. Gustavo A. Madero C.P. 07980 CDMX
Conmutador. 55 5839 2588 / 5839 7821 / 5839 4891
ventas@cobrival.com | www.cobrival.com



TC-GT

200 PSI (WOG) WATER, OIL, GAS GATE VALVE, THREADED

SIZE 1/4"-2"



TC-GB VALVE

200 PSI (WOG) WATER, OIL, GAS GLOBE VALVE, THREADED

SIZE 1/4"-2"



TC-GTF-ANSI VALVE

150 # LB & 300 # FLANGE END GATE VALVE

½" – 12" SIZE RANGE



TC-GBF-ANSI VALVE

150 LB FLANGE END GLOBE VALVE

SIZE ½" - 10"



TC-CK, TC-CKS VALVE

**200 WOG SWING CHECK VALVE THREADED & SOCKET WELD
SIZE ¼" - 3"**



TC-CKF-ANSI VALVE

**150 # & 300 # FLANGE END SWING CHECK VALVE
SIZE ½" - 12"**





TC-NDL VALVE

6000 PSI STAINLESS STEEL NEEDLE VALVES

SIZE 1/8" - 1"



TC-YS VALVE

800 psi (WOG) water, oil, gas

Y STRAINER, THREADED, SOCKET-WELD SIZE ¼"-3"



TC-YSF VALVE

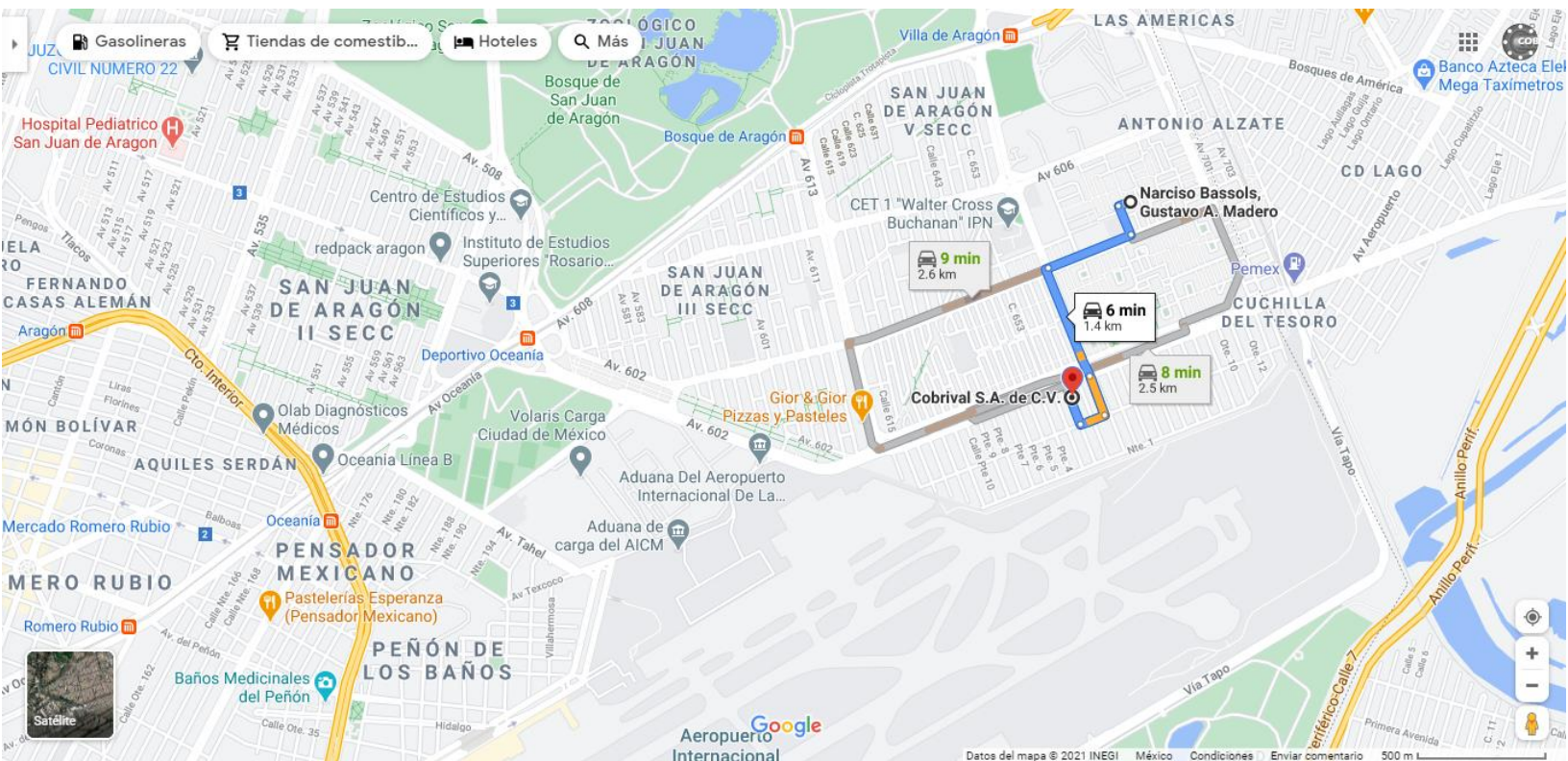
150# R.F. FLANGED Y STRAINERS STAINLESS STEEL

SIZE 2"-6"



LOCATION - MÉXICO CITY

cobrival.com



Av. Agrupamiento "I" No. 17 Col. Aragón Narciso Bassols Del. Gustavo A. Madero C.P. 07980 CDMX
Comunador. 55 5839 2588 / 5839 7821 / 5839 4891
ventas@cobrival.com | www.cobrival.com

