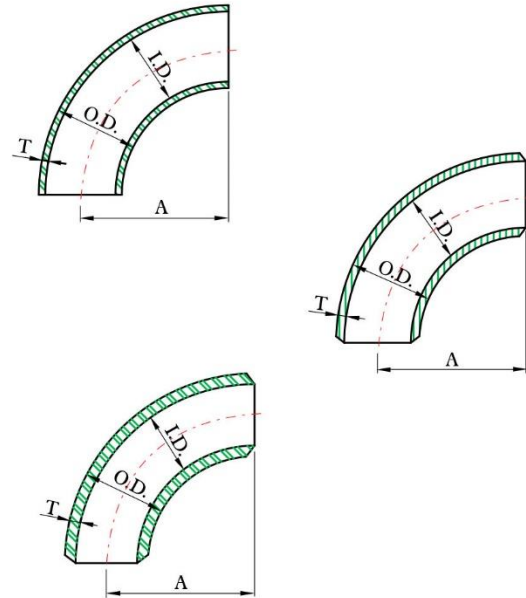


# FITTINGS WELDED & SEAMLESS ASTM A-403

## 90° LONG RADIUS ELBOW

cobrival.com



## DIMENSIONS

unit : inch

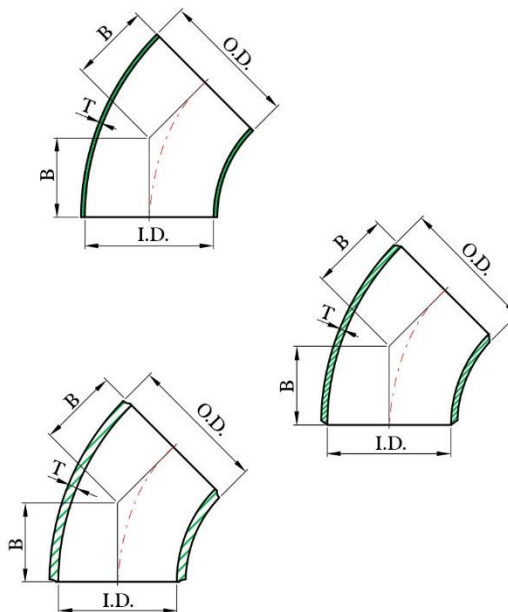
Nominal pipe size	Outside diameter (O.D.)	Center to face (A)	Schedule 5S			Schedule 10S			Schedule 40S		
			Inside diameter (I.D. )	Wall thickness (T)	Approx. weight **	Inside diameter (I.D. )	Wall thickness (T)	Approx. weight **	Inside diameter (I.D. )	Wall thickness (T)	Approx. weight **
1/2	.840	1-1/2	.710	.065	.12	.674	.083	.14	.622	.109	.18
3/4	1.050	1-1/2	.920	.065	.13	.884	.083	.15	.824	.113	.19
1	1.315	1-1/2	1.185	.065	.19	1.097	.109	.30	1.049	.133	.35
1-1/4	1.660	1-7/8	1.530	.065	.31	1.442	.109	.50	1.380	.140	.56
1-1/2	1.900	2-1/4	1.770	.065	.38	1.682	.109	.69	1.610	.145	.88
2	2.375	3	2.245	.065	.64	2.157	.109	1.13	2.067	.154	1.56
2-1/2	2.875	3-3/4	2.709	.083	1.50	2.635	.120	1.88	2.469	.203	3.00
3	3.500	4-1/2	3.334	.083	2.00	3.260	.120	2.69	3.068	.216	4.81
3-1/2	4.000	5-1/4	3.834	.083	2.62	3.760	.120	3.75	3.548	.226	6.25
4	4.500	6	4.334	.083	3.31	4.260	.120	4.75	4.026	.237	9.19
5	5.563	7-1/2	5.345	.109	6.50	5.295	.134	8.00	5.047	.258	15.13
6	6.625	9	6.407	.109	10.00	6.357	.134	12.00	6.065	.280	24.00
8	8.625	12	8.407	.109	17.30	8.329	.148	23.50	7.981	.322	47.50
10	10.750	15	10.482	.134	32.00	10.420	.165	43.00	10.020	.365	85.00
12	12.750	18	12.438	.156	51.00	12.390	.180	60.00	12.000	.375	131.00
14	14.000	21	13.688	.156	68.00	13.624	.188	80.00	13.250	.375	155.00
16	16.000	24	15.670	.165	100.00	15.624	.188	105.00	15.250	.375	202.00
18	18.000	27	17.670	.165	125.00	17.624	.188	132.00	17.250	.375	269.00
20	20.000	30	19.624	.188	165.00	19.564	.218	220.00	19.250	.375	330.00
24	24.000	36	23.564	.218	280.00	23.500	.250	310.00	23.250	.375	464.00



# FITTINGS WELDED & SEAMLESS ASTM A-403

## 45° LONG RADIUS ELBOW

cobrival.com



## DIMENSIONS

unit : inch / lb

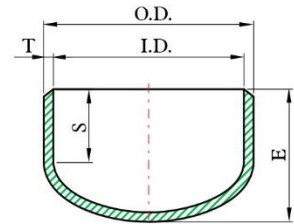
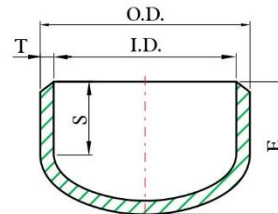
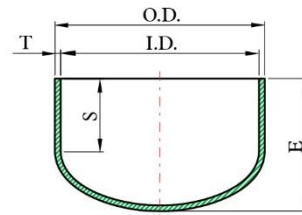
Nominal pipe size	Outside diameter (O.D.)	Center to face (B)	Schedule 5S			Schedule 10S			Schedule 40S		
			Inside diameter (I.D. )	Wall thickness (T)	Approx. weight * *	Inside diameter (I.D. )	Wall thickness (T)	Approx. weight * *	Inside diameter (I.D. )	Wall thickness (T)	Approx. weight * *
1/2	.840	5/8	.710	.065	.06	.674	.083	.07	.622	.109	.09
3/4	1.050	7/16	.920	.065	.06	.884	.083	.07	.824	.113	.09
1	1.315	7/8	1.185	.065	.12	1.097	.109	.19	1.049	.133	.25
1-1/4	1.660	1	1.530	.065	.19	1.442	.109	.25	1.380	.140	.38
1-1/2	1.900	1-1/8	1.770	.065	.25	1.682	.109	.38	1.610	.145	.50
2	2.375	1-3/8	2.245	.065	.31	2.157	.109	.56	2.067	.154	.88
2-1/2	2.875	1-3/4	2.709	.083	.75	2.635	.120	1.06	2.469	.203	1.69
3	3.500	2	3.334	.083	1.06	3.260	.120	1.38	3.068	.216	2.38
3-1/2	4.000	2-1/4	3.834	.083	1.16	3.760	.120	1.66	3.548	.226	3.13
4	4.500	2-1/2	4.334	.083	1.66	4.260	.120	2.38	4.026	.237	4.60
5	5.563	3-1/8	5.345	.109	3.25	5.295	.134	4.00	5.047	.258	7.57
6	6.625	3-3/4	6.407	.109	5.00	6.357	.134	6.00	6.065	.280	12.00
8	8.625	5	8.407	.109	8.65	8.329	.148	11.75	7.981	.322	23.75
10	10.750	6-1/4	10.482	.134	16.00	10.420	.165	21.50	10.020	.365	42.50
12	12.750	7-1/2	12.438	.156	25.50	12.390	.180	30.00	12.000	.375	65.50
14	14.000	8-3/4	13.688	.156	34.00	13.624	.188	40.00	13.250	.375	77.50
16	16.000	10	15.670	.165	50.00	15.624	.188	52.50	15.250	.375	101.00
18	18.000	11-1/4	17.670	.165	62.50	17.624	.188	66.00	17.250	.375	131.00
20	20.000	12-1/2	19.624	.188	82.50	19.564	.218	110.00	19.250	.375	165.00
24	24.000	15	23.564	.218	140.00	23.500	.250	155.00	23.250	.375	232.00



# FITTINGS WELDED & SEAMLESS ASTM A-403

## CAP

cobrival.com



## DIMENSIONS

unit : inch / lb

Nominal pipe size	Outside diameter (O.D.)	Length (E)	Tangent Length (S)	Schedule 5S			Schedule 10S			Schedule 40S		
				Inside diameter (I.D.)	Wall thickness (T)	Approx. weight * *	Inside diameter (I.D.)	Wall thickness (T)	Approx. weight * *	Inside diameter (I.D.)	Wall thickness (T)	Approx. weight * *
1/2	.840	1	.74	.710	.065	.08	.674	.083	.09	.622	.109	.10
3/4	1.050	1	.68	.920	.065	.11	.884	.083	.12	.824	.113	.13
1	1.315	1-1/2	1.10	1.185	.065	.18	1.097	.109	.19	1.049	.133	.28
1-1/4	1.660	1-1/2	1.02	1.530	.065	.20	1.442	.109	.28	1.380	.140	.38
1-1/2	1.900	1-1/2	.95	1.770	.065	.22	1.682	.109	.31	1.610	.145	.50
2	2.375	1-1/2	.83	2.245	.065	.36	2.157	.109	.38	2.067	.154	.60
2-1/2	2.875	1-1/2	.68	2.709	.083	.50	2.635	.120	.56	2.469	.203	1.00
3	3.500	2	1.02	3.334	.083	.86	3.260	.120	.88	3.068	.216	1.56
3-1/2	4.000	2-1/2	1.40	3.834	.083	1.20	3.760	.120	1.25	3.548	.226	2.25
4	4.500	2-1/2	1.26	4.334	.083	1.25	4.260	.120	1.44	4.026	.237	2.69
5	5.563	3	1.48	5.345	.109	2.00	5.295	.134	2.25	5.047	.258	4.06
6	6.625	3-1/2	1.70	6.407	.109	2.75	6.357	.134	3.00	6.065	.280	7.12
8	8.625	4	1.68	8.407	.109	4.50	8.329	.148	5.50	7.981	.322	12.50
10	10.750	5	2.13	10.482	.134	9.50	10.420	.165	10.80	10.020	.365	20.30
12	12.750	6	2.63	12.438	.156	14.00	12.390	.180	14.40	12.000	.375	28.80
14	14.000	6-1/2	2.81	13.688	.156	17.00	13.624	.188	18.00	13.250	.375	35.70
16	16.000	7	2.81	15.670	.165	30.00	15.624	.188	32.00	15.250	.375	48.50
18	18.000	8	3.31	17.670	.165	38.00	17.624	.188	39.60	17.250	.375	59.40
20	20.000	9	3.81	19.624	.188	55.00	19.564	.218	60.00	19.250	.375	75.00
24	24.000	10-1/2	4.31	23.564	.218	75.00	23.500	.250	76.00	23.250	.375	98.00

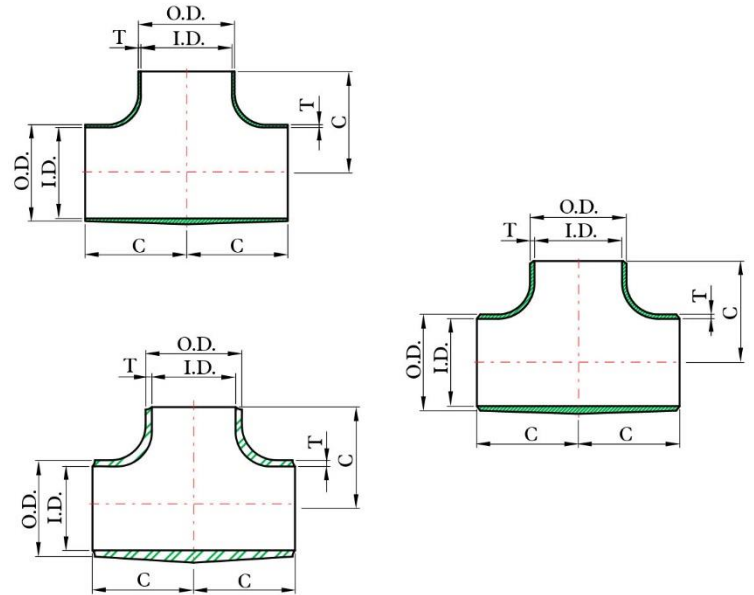




# FITTINGS WELDED & SEAMLESS ASTM A-403

## STRAIGHT TEE

cobrival.com



## DIMENSIONS

unit : inch / lb

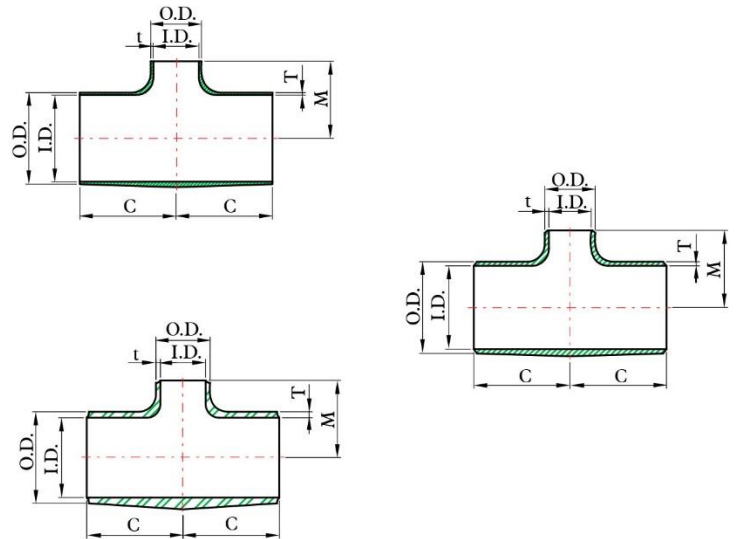
Nominal pipe size	Outside diameter (O.D.)	Center to end (C)	Schedule 5S			Schedule 10S			Schedule 40S		
			Inside diameter (I.D.)	Wall thickness (T)	Approx. weight **	Inside diameter (I.D.)	Wall thickness (T)	Approx. weight **	Inside diameter (I.D.)	Wall thickness (T)	Approx. weight **
1/2	.840	1	.710	.065	.19	.674	.083	.21	.622	.109	.23
3/4	1.050	1-1/8	.920	.065	.22	.884	.083	.28	.824	.113	.38
1	1.315	1-1/2	1.185	.065	.40	1.097	.109	.63	1.049	.133	.65
1-1/4	1.660	1-7/8	1.530	.065	.75	1.442	.109	1.10	1.380	.140	1.31
1-1/2	1.900	2-1/4	1.770	.065	.95	1.682	.109	1.50	1.610	.145	1.90
2	2.375	2-1/2	2.245	.065	1.20	2.157	.109	1.87	2.067	.154	2.83
2-1/2	2.875	3	2.709	.083	2.15	2.635	.120	3.10	2.469	.203	4.85
3	3.500	3-3/8	3.334	.083	3.40	3.260	.120	3.90	3.068	.216	7.30
3-1/2	4.000	3-3/4	3.834	.083	5.50	3.760	.120	5.88	3.548	.226	9.00
4	4.500	4-1/8	4.334	.083	7.20	4.260	.120	7.63	4.026	.237	11.63
5	5.563	4-7/8	5.345	.109	13.00	5.295	.134	13.45	5.047	.258	20.75
6	6.625	5-5/8	6.407	.109	17.20	6.357	.134	17.80	6.065	.280	24.25
8	8.625	7	8.407	.109	31.00	8.329	.148	34.50	7.981	.322	46.10
10	10.750	8-1/2	10.482	.134	55.00	10.420	.165	59.00	10.020	.365	78.00
12	12.750	10	12.438	.156	83.00	12.390	.180	87.00	12.000	.375	137.00
14	14.000	11	13.688	.156	89.00	13.624	.188	107.00	13.250	.375	175.00
16	16.000	12	15.670	.165	115.00	15.624	.188	130.00	15.250	.375	220.00
18	18.000	13-1/2	17.670	.165	149.00	17.624	.188	169.00	17.250	.375	286.00
20	20.000	15	19.624	.188	171.00	19.564	.218	228.00	19.250	.375	358.00
24	24.000	17	23.564	.218	298.00	23.500	.250	343.00	23.250	.375	498.00



# FITTINGS WELDED & SEAMLESS ASTM A-403

## REDUCING TEE

cobrival.com



## DIMENSIONS

unit : inch / lb

Nominal Pipe Size Run X Outlet	Outside Diameter Run (O.D.)	Outside Diameter Outlet (O.D.)	Center to End Run (C)	Center to End Outlet (M)	Schedule 5S					Schedule 10S					Schedule 40S				
					Inside Diameter Run (I.D.)	Inside Diameter Outlet (I.D.)	Wall Thickness Run (T)	Wall Thickness Outlet (t)	Approx. Weight **	Inside Diameter Run (I.D.)	Inside Diameter Outlet (I.D.)	Wall Thickness Run (T)	Wall Thickness Outlet (t)	Approx. Weight **	Inside Diameter Run (I.D.)	Inside Diameter Outlet (I.D.)	Wall Thickness Run (T)	Wall Thickness Outlet (t)	Approx. Weight **
1/2 x 1/4	.840	.540	1	1	.710	.410	.065	.065	.16	.674	.410	.083	.065	.18	.622	.364	.109	.088	.20
1/2 x 3/8	.840	.675	1	1	.710	.545	.065	.065	.17	.674	.545	.083	.065	.19	.622	.493	.109	.091	.21
3/4 x 3/8	1.050	.675	1-1/8	1-1/8	.920	.545	.065	.065	.19	.884	.545	.083	.065	.24	.824	.493	.113	.091	.32
3/4 x 1/2	1.050	.840	1-1/8	1-1/8	.920	.710	.065	.065	.20	.884	.674	.083	.083	.25	.824	.622	.113	.109	.34
1 x 3/8	1.315	.675	1-1/2	1-1/2	1.185	.545	.065	.065	.34	1.097	.545	.109	.065	.54	1.049	.493	.133	.091	.56
1 x 1/2	1.315	.840	1-1/2	1-1/2	1.185	.710	.065	.065	.35	1.097	.674	.109	.083	.55	1.049	.622	.133	.109	.57
1 x 3/4	1.315	1.050	1-1/2	1-1/2	1.185	.920	.065	.065	.36	1.097	.884	.109	.083	.56	1.049	.824	.133	.113	.59
1-1/4 x 1/2	1.660	.840	1-7/8	1-7/8	1.530	.710	.065	.065	.64	1.442	.674	.109	.083	.95	1.380	.622	.140	.109	1.12
1-1/4 x 3/4	1.660	1.050	1-7/8	1-7/8	1.530	.920	.065	.065	.66	1.442	.884	.109	.083	.97	1.380	.824	.140	.113	1.15
1-1/4 x 1	1.660	1.315	1-7/8	1-7/8	1.530	1.185	.065	.065	.68	1.442	1.097	.109	.109	.99	1.380	1.049	.140	.133	1.17
1-1/2 x 1/2	1.900	.840	2-1/4	2-1/4	1.770	.710	.065	.065	.81	1.682	.674	.109	.083	1.27	1.610	.622	.145	.109	1.61
1-1/2 x 3/4	1.900	1.050	2-1/4	2-1/4	1.770	.920	.065	.065	.82	1.682	.884	.109	.083	1.29	1.610	.824	.145	.113	1.63
1-1/2 x 1	1.900	1.315	2-1/4	2-1/4	1.770	1.185	.065	.065	.83	1.682	1.097	.109	.109	1.32	1.610	1.049	.145	.133	1.67
1-1/2 x 1-1/4	1.900	1.660	2-1/4	2-1/4	1.770	1.530	.065	.065	.85	1.682	1.442	.109	.109	1.35	1.610	1.380	.145	.140	1.71
2 x 3/4	2.375	1.050	2-1/2	1-3/4	2.245	.920	.065	.065	1.02	2.157	.884	.109	.083	1.59	2.067	.824	.154	.113	2.40
2 x 1	2.375	1.315	2-1/2	2	2.245	1.185	.065	.065	1.03	2.157	1.097	.109	.109	1.60	2.067	1.049	.154	.133	2.43
2 x 1-1/4	2.375	1.660	2-1/2	2-1/4	2.245	1.530	.065	.065	1.05	2.157	1.442	.109	.109	1.64	2.067	1.380	.154	.140	2.49
2 x 1-1/2	2.375	1.900	2-1/2	2-3/8	2.245	1.770	.065	.065	1.08	2.157	1.682	.109	.109	1.68	2.067	1.610	.154	.145	2.54
2-1/2 x 1	2.875	1.315	3	2-1/4	2.709	1.185	.083	.065	1.83	2.635	1.097	.120	.109	2.63	2.469	1.049	.203	.133	4.12
2-1/2 x 1-1/4	2.875	1.660	3	2-1/2	2.709	1.530	.083	.065	1.85	2.635	1.442	.120	.109	2.66	2.469	1.380	.203	.140	4.17
2-1/2 x 1-1/2	2.875	1.900	3	2-5/8	2.709	1.770	.083	.065	1.89	2.635	1.682	.120	.109	2.73	2.469	1.610	.203	.145	4.27
2-1/2 x 2	2.875	2.375	3	2-3/4	2.709	2.245	.083	.065	1.93	2.635	2.157	.120	.109	2.79	2.469	2.067	.203	.154	4.36
3 x 1	3.500	1.315	3-3/8	2-5/8	3.334	1.185	.083	.065	2.85	3.260	1.097	.120	.109	3.27	3.068	1.049	.216	.133	6.13
3 x 1-1/4	3.500	1.660	3-3/8	2-3/4	3.334	1.530	.083	.065	2.89	3.260	1.442	.120	.109	3.31	3.068	1.380	.216	.140	6.20
3 x 1-1/2	3.500	1.900	3-3/8	2-7/8	3.334	1.770	.083	.065	2.93	3.260	1.682	.120	.109	3.35	3.068	1.610	.216	.145	6.28
3 x 2	3.500	2.375	3-3/8	3	3.334	2.245	.083	.065	2.99	3.260	2.157	.120	.109	3.43	3.068	2.067	.216	.154	6.42
3 x 2-1/2	3.500	2.875	3-3/8	3-1/4	3.334	2.709	.083	.083	3.06	3.260	2.635	.120	.120	3.51	3.068	2.469	.216	.203	6.57
3-1/2 x 1-1/2	4.000	1.900	3-3/4	3-1/8	3.834	1.770	.083	.065	4.67	3.760	1.682	.120	.109	4.99	3.548	1.610	.226	.145	7.65
3-1/2 x 2	4.000	2.375	3-3/4	3-1/4	3.834	2.245	.083	.065	4.73	3.760	2.157	.120	.109	5.05	3.548	2.067	.226	.154	7.74
3-1/2 x 2-1/2	4.000	2.875	3-3/4	3-1/2	3.834	2.709	.083	.083	4.84	3.760	2.635	.120	.120	5.17	3.548	2.469	.226	.203	8.97
3-1/2 x 3	4.000	3.500	3-3/4	3-5/8	3.834	3.334	.083	.083	4.95	3.760	3.260	.120	.120	5.29	3.548	3.068	.226	.216	9.10
4 x 1-1/2	4.500	1.900	4-1/8	3-3/8	4.334	1.770	.083	.065	6.05	4.260	1.682	.120	.109	6.40	4.026	1.610	.237	.145	9.76
4 x 2	4.500	2.375	4-1/8	3-1/2	4.334	2.245	.083	.065	6.12	4.260	2.157	.120	.109	6.48	4.026	2.067	.237	.154	9.88
4 x 2-1/2	4.500	2.875	4-1/8	3-3/4	4.334	2.709	.083	.083	6.19	4.260	2.635	.120	.120	6.56	4.026	2.469	.237	.203	10.00
4 x 3	4.500	3.500	4-1/8	3-7/8	4.334	3.334	.083	.083	6.33	4.260	3.260	.120	.120	6.71	4.026	3.068	.237	.216	10.23
4 x 3-1/2	4.500	4.000	4-1/8	4	4.334	3.834	.083	.083	6.48	4.260	3.760	.120	.120	6.86	4.026	3.548	.237	.226	10.40



Av. Agrupamiento "I" No. 17 Col. Aragón Narciso Bassols Del. Gustavo A. Madero C.P. 07980 CDMX  
 Conmutador. 55 5839 2588 / 5839 7821 / 5839 4891  
 ventas@cobrival.com | www.cobrival.com





# FITTINGS WELDED & SEAMLESS ASTM A-403

## REDUCING TEE

cobrival.com

### DIMENSIONS

unit : inch / lb

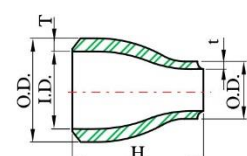
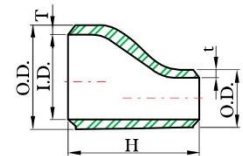
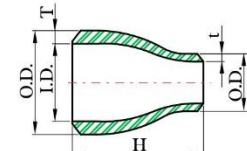
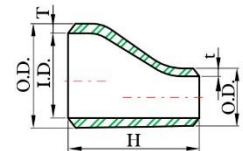
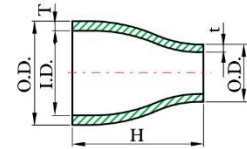
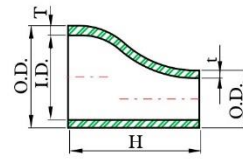
Nominal Pipe Size Run X Outlet	Outside Diameter Run (O.D.)	Outside Diameter Outlet (O.D.)	Center to End Run (C)	Center to End Outlet (M)	Schedule 5S					Schedule 10S					Schedule 40S				
					Inside Diameter Run (I.D.)	Inside Diameter Outlet (I.D.)	Wall Thickness Run (T)	Wall Thickness Outlet (t)	Approx. Weight**	Inside Diameter Run (I.D.)	Inside Diameter Outlet (I.D.)	Wall Thickness Run (T)	Wall Thickness Outlet (t)	Approx. Weight**	Inside Diameter Run (I.D.)	Inside Diameter Outlet (I.D.)	Wall Thickness Run (T)	Wall Thickness Outlet (t)	Approx. Weight**
5 x 2	5.563	2.375	4-7/8	4-1/8	5.345	2.245	.109	.065	10.92	5.295	2.157	.134	.109	11.29	5.047	2.067	.258	.154	17.43
5 x 2-1/2	5.563	2.875	4-7/8	4-1/4	5.345	2.709	.109	.083	11.05	5.295	2.635	.134	.120	11.43	5.047	2.469	.258	.203	17.63
5 x 3	5.563	3.500	4-7/8	4-3/8	5.345	3.334	.109	.083	11.18	5.295	3.260	.134	.120	11.56	5.047	3.068	.258	.216	17.84
5 x 3-1/2	5.563	4.000	4-7/8	4-1/2	5.345	3.834	.109	.083	11.44	5.295	3.760	.134	.120	11.83	5.047	3.548	.258	.226	18.26
5 x 4	5.563	4.500	4-7/8	4-5/8	5.345	4.334	.109	.083	11.70	5.295	4.260	.134	.120	12.10	5.047	4.026	.258	.237	18.67
6 x 2-1/2	6.625	2.875	5-5/8	4-3/4	6.407	2.709	.109	.083	14.48	6.357	2.635	.134	.120	14.95	6.065	2.469	.280	.203	20.37
6 x 3	6.625	3.500	5-5/8	4-7/8	6.407	3.334	.109	.083	14.62	6.357	3.260	.134	.120	15.13	6.065	3.068	.280	.216	26.32
6 x 3-1/2	6.625	4.000	5-5/8	5	6.407	3.834	.109	.083	14.79	6.357	3.760	.134	.120	15.31	6.065	3.548	.280	.226	20.85
6 x 4	6.625	4.500	5-5/8	5-1/8	6.407	4.334	.109	.083	15.13	6.357	4.260	.134	.120	15.66	6.065	4.026	.280	.237	21.34
6 x 5	6.625	5.563	5-5/8	5-3/8	6.407	5.345	.109	.109	15.48	6.357	5.295	.134	.134	16.02	6.065	5.047	.280	.258	21.82
8 x 3	8.625	3.500	7	6	8.407	3.334	.109	.083	26.04	8.329	3.260	.148	.120	29.00	7.981	3.068	.322	.216	38.72
8 x 3-1/2	8.625	4.000	7	6	8.407	3.834	.109	.083	26.35	8.329	3.760	.148	.120	29.32	7.981	3.548	.322	.226	39.18
8 x 4	8.625	4.500	7	6-1/8	8.407	4.334	.109	.083	26.66	8.329	4.260	.148	.120	29.67	7.981	4.026	.322	.237	39.64
8 x 5	8.625	5.563	7	6-3/8	8.407	5.345	.109	.109	27.28	8.329	5.295	.148	.134	30.36	7.981	5.047	.322	.258	40.56
8 x 6	8.625	6.625	7	6-5/8	8.407	6.407	.109	.109	27.90	8.329	6.357	.148	.134	31.05	7.981	6.065	.322	.280	41.49
10 x 4	10.750	4.500	8-1/2	7-1/4	10.482	4.334	.134	.083	46.75	10.420	4.260	.165	.120	50.15	10.020	4.026	.365	.237	66.30
10 x 5	10.750	5.563	8-1/2	7-1/2	10.482	5.345	.134	.109	47.30	10.420	5.295	.165	.134	50.74	10.020	5.047	.365	.258	67.08
10 x 6	10.750	6.625	8-1/2	7-5/8	10.482	6.407	.134	.109	48.40	10.420	6.357	.165	.134	51.92	10.020	6.065	.365	.280	68.64
10 x 8	10.750	8.625	8-1/2	8	10.482	8.407	.134	.109	49.50	10.420	8.329	.165	.148	53.10	10.020	7.981	.365	.322	70.20
12 x 5	12.750	5.563	10	8-1/2	12.438	5.345	.156	.109	70.55	12.390	5.295	.180	.134	73.95	12.000	5.047	.375	.258	116.00
12 x 6	12.750	6.625	10	8-5/8	12.438	6.407	.156	.109	71.38	12.390	6.357	.180	.134	74.82	12.000	6.065	.375	.280	118.00
12 x 8	12.750	8.625	10	9	12.438	8.407	.156	.109	73.04	12.390	8.329	.180	.148	76.56	12.000	7.981	.375	.322	120.00
12 x 10	12.750	10.750	10	9-1/2	12.438	10.482	.156	.134	74.70	12.390	10.420	.180	.165	78.30	12.000	10.020	.375	.365	123.00
14 x 6	14.000	6.625	11	9-3/8	13.688	6.407	.156	.109	75.65	13.624	6.357	.188	.134	90.95	13.250	6.065	.375	.280	148.00
14 x 8	14.000	8.625	11	9-3/4	13.688	8.407	.156	.109	76.54	13.624	8.329	.188	.148	92.02	13.250	7.981	.375	.322	150.00
14 x 10	14.000	10.750	11	10-1/8	13.688	10.482	.156	.134	78.32	13.624	10.420	.188	.165	94.16	13.250	10.020	.375	.365	154.00
14 x 12	14.000	12.750	11	10-5/8	13.688	12.438	.156	.156	80.10	13.624	12.390	.188	.180	96.30	13.250	12.000	.375	.375	157.00
16 x 6	16.000	6.625	12	10-3/8	15.670	6.407	.165	.109	96.60	15.624	6.357	.188	.134	109.00	15.250	6.065	.375	.280	184.00
16 x 8	16.000	8.625	12	10-3/4	15.670	8.407	.165	.109	97.75	15.624	8.329	.188	.148	110.00	15.250	7.981	.375	.322	187.00
16 x 10	16.000	10.750	12	11-1/8	15.670	10.482	.165	.134	98.90	15.624	10.420	.188	.165	112.00	15.250	10.020	.375	.365	189.00
16 x 12	16.000	12.750	12	11-5/8	15.670	12.438	.165	.156	101.00	15.624	12.390	.188	.180	114.00	15.250	12.000	.375	.375	193.00
16 x 14	16.000	14.000	12	12	15.670	13.688	.165	.156	103.00	15.624	13.624	.188	.188	117.00	15.250	13.250	.375	.375	198.00
18 x 8	18.000	8.625	13-1/2	11-3/4	17.670	8.407	.165	.109	125.00	17.624	8.329	.188	.148	142.00	17.250	7.981	.375	.322	240.00
18 x 10	18.000	10.750	13-1/2	12-1/8	17.670	10.482	.165	.134	126.00	17.624	10.420	.188	.165	143.00	17.250	10.020	.375	.365	243.00
18 x 12	18.000	12.750	13-1/2	12-5/8	17.670	12.438	.165	.156	128.00	17.624	12.390	.188	.180	145.00	17.250	12.000	.375	.375	246.00
18 x 14	18.000	14.000	13-1/2	13	17.670	13.688	.165	.156	131.00	17.624	13.624	.188	.188	148.00	17.250	13.250	.375	.375	251.00
18 x 16	18.000	16.000	13-1/2	13	17.670	15.670	.165	.165	134.00	17.624	15.624	.188	.188	152.00	17.250	15.250	.375	.375	257.00
20 x 8	20.000	8.625	15	12-3/4	19.624	8.407	.188	.109	141.00	19.564	8.329	.218	.148	189.00	19.250	7.981	.375	.322	297.00
20 x 10	20.000	10.750	15	13-1/8	19.624	10.482	.188	.134	143.00	19.564	10.420	.218	.165	191.00	19.250	10.020	.375	.365	300.00
20 x 12	20.000	12.750	15	13-5/8	19.624	12.438	.188	.156	145.00	19.564	12.390	.218	.180	193.00	19.250	12.000	.375	.375	304.00
20 x 14	20.000	14.000	15	14	19.624	13.688	.188	.156	147.00	19.564	13.624	.218	.188	196.00	19.250	13.250	.375	.375	308.00
20 x 16	20.000	16.000	15	14	19.624	15.670	.188	.165	150.00	19.564	15.624	.218	.188	200.00	19.250	15.250	.375	.375	315.00
20 x 18	20.000	18.000	15	14-1/2	19.624	17.670	.188	.165	154.00	19.564	17.624	.218	.188	205.00	19.250	17.250	.375	.375	322.00
24 x 10	24.000	10.750	17	15-1/8	23.564	10.482	.218	.134	247.00	23.500	10.420	.250	.165	284.00	23.250	10.020	.375	.365	413.00
24 x 12	24.000	12.750	17	15-5/8	23.564	12.438	.218	.156	250.00	23.500	12.390	.250	.180	288.00	23.250	12.000	.375	.375	418.00
24 x 14	24.000	14.000	17	16	23.564	13.688	.218	.156	253.00	23.500	13.624	.250	.188	291.00	23.250	13.250	.375	.375	423.00
24 x 16	24.000	16.000	17	16	23.564	15.670	.218	.165	256.00	23.500	15.624	.250	.188	295.00	23.250	15.250	.375	.375	428.00
24 x 18	24.000	18.000	17	16-1/2	23.564	17.670	.218	.165	262.00	23.500	17.624	.250	.188	302.00	23.250	17.250	.375	.375	438.00
24 x 20	24.000	20.000	17	17	23.564	19.624	.218	.188	268.00	23.500	19.564	.250	.218	308.00	23.250	19.250	.375	.375	448.00



# FITTINGS WELDED & SEAMLESS ASTM A-403

## CONC. / ECC. REDUCERS

cobrival.com



## DIMENSIONS

unit : inch / lb

Nominal Pipe Size <small>Large End X Small End</small>	Outside Diameter Large End (O.D.)	Outside Diameter Small End (O.D.)	Length (H)	Schedule 5S					Schedule 10S					Schedule 40S				
				Inside Diameter Large End (I.D.)	Inside Diameter Small End (I.D.)	Wall Thickness Large End (T)	Wall Thickness Small End (t)	Approximate Weight**	Inside Diameter Large End (I.D.)	Inside Diameter Small End (I.D.)	Wall Thickness Large End (T)	Wall Thickness Small End (t)	Approximate Weight**	Inside Diameter Large End (I.D.)	Inside Diameter Small End (I.D.)	Wall Thickness Large End (T)	Wall Thickness Small End (t)	Approximate Weight**
3/4 x 3/8	1.050	.675	1-1/2	.920	.545	.065	.065	.15	.884	.545	.083	.065	.20	.824	.493	.113	.091	.27
3/4 x 1/2	1.050	.840	1-1/2	.920	.710	.065	.065	.17	.884	.674	.083	.083	.22	.824	.622	.113	.109	.31
1 x 3/8	1.315	.675	2	1.185	.545	.065	.065	.16	1.097	.545	.109	.065	.21	1.049	.493	.133	.091	.33
1 x 1/2	1.315	.840	2	1.185	.710	.065	.065	.16	1.097	.674	.109	.083	.27	1.049	.622	.133	.109	.34
1 x 3/4	1.315	1.050	2	1.185	.920	.065	.065	.17	1.097	.884	.109	.083	.29	1.049	.824	.133	.113	.36
1-1/4 x 1/2	1.660	.840	2	1.530	.710	.065	.065	.21	1.442	.674	.109	.083	.35	1.380	.622	.140	.109	.46
1-1/4 x 3/4	1.660	1.050	2	1.530	.920	.065	.065	.22	1.442	.884	.109	.083	.39	1.380	.824	.140	.113	.49
1-1/4 x 1	1.660	1.315	2	1.530	1.185	.065	.065	.22	1.442	1.097	.109	.109	.39	1.380	1.049	.140	.133	.49
1-1/2 x 1/2	1.900	.840	2-1/2	1.770	.710	.065	.065	.23	1.682	.674	.109	.083	.37	1.610	.622	.145	.109	.50
1-1/2 x 3/4	1.900	1.050	2-1/2	1.770	.920	.065	.065	.24	1.682	.884	.109	.083	.39	1.610	.824	.145	.113	.52
1-1/2 x 1	1.900	1.315	2-1/2	1.770	1.185	.065	.065	.25	1.682	1.097	.109	.109	.43	1.610	1.049	.145	.133	.58
1-1/2 x 1-1/4	1.900	1.660	2-1/2	1.770	1.530	.065	.065	.27	1.682	1.442	.109	.109	.46	1.610	1.380	.145	.140	.62
2 x 3/4	2.375	1.050	3	2.245	.920	.065	.065	.33	2.157	.884	.109	.083	.56	2.067	.824	.154	.113	.80
2 x 1	2.375	1.315	3	2.245	1.185	.065	.065	.37	2.157	1.097	.109	.109	.62	2.067	1.049	.154	.133	.89
2 x 1-1/4	2.375	1.660	3	2.245	1.530	.065	.065	.40	2.157	1.442	.109	.109	.67	2.067	1.380	.154	.140	.96
2 x 1-1/2	2.375	1.900	3	2.245	1.770	.065	.065	.41	2.157	1.682	.109	.109	.69	2.067	1.610	.154	.145	.99
2-1/2 x 1	2.875	1.315	3-1/2	2.709	1.185	.083	.065	.56	2.635	1.097	.120	.109	.83	2.469	1.049	.203	.133	1.42
2-1/2 x 1-1/4	2.875	1.660	3-1/2	2.709	1.530	.083	.065	.64	2.635	1.442	.120	.109	.95	2.469	1.380	.203	.140	1.61
2-1/2 x 1-1/2	2.875	1.900	3-1/2	2.709	1.770	.083	.065	.67	2.635	1.682	.120	.109	.98	2.469	1.610	.203	.145	1.67
2-1/2 x 2	2.875	2.375	3-1/2	2.709	2.245	.083	.065	.70	2.635	2.157	.120	.109	1.03	2.469	2.067	.203	.154	1.76
3 x 1	3.500	1.315	3-1/2	3.334	1.185	.083	.065	.70	3.260	1.097	.120	.109	1.03	3.068	1.049	.216	.133	1.81
3 x 1-1/4	3.500	1.660	3-1/2	3.334	1.530	.083	.065	.70	3.260	1.442	.120	.109	1.03	3.068	1.380	.216	.140	1.86
3 x 1-1/2	3.500	1.900	3-1/2	3.334	1.770	.083	.065	.78	3.260	1.682	.120	.109	1.13	3.068	1.610	.216	.145	2.07
3 x 2	3.500	2.375	3-1/2	3.334	2.245	.083	.065	.83	3.260	2.157	.120	.109	1.21	3.068	2.067	.216	.154	2.20
3 x 2-1/2	3.500	2.875	3-1/2	3.334	2.709	.083	.083	.90	3.260	2.635	.120	.120	1.30	3.068	2.469	.216	.203	2.38
3-1/2 x 1-1/4	4.000	1.660	4	3.834	1.530	.083	.065	.93	3.760	1.442	.120	.109	1.37	3.548	1.380	.226	.140	2.60
3-1/2 x 1-1/2	4.000	1.900	4	3.834	1.770	.083	.065	.99	3.760	1.682	.120	.109	1.46	3.548	1.610	.226	.145	2.76
3-1/2 x 2	4.000	2.375	4	3.834	2.245	.083	.065	1.06	3.760	2.157	.120	.109	1.57	3.548	2.067	.226	.154	2.97
3-1/2 x 2-1/2	4.000	2.875	4	3.834	2.709	.083	.083	1.17	3.760	2.635	.120	.120	1.72	3.548	2.469	.226	.203	3.25
3-1/2 x 3	4.000	3.500	4	3.834	3.334	.083	.083	1.20	3.760	3.260	.120	.120	1.77	3.548	3.068	.226	.216	3.35
4 x 1-1/2	4.500	1.900	4	4.334	1.770	.083	.065	1.05	4.260	1.682	.120	.109	1.50	4.026	1.610	.237	.145	3.00
4 x 2	4.500	2.375	4	4.334	2.245	.083	.065	1.21	4.260	2.157	.120	.109	1.73	4.026	2.067	.237	.154	3.47
4 x 2-1/2	4.500	2.875	4	4.334	2.709	.083	.083	1.28	4.260	2.635	.120	.120	1.83	4.026	2.469	.237	.203	3.66
4 x 3	4.500	3.500	4	4.334	3.334	.083	.083	1.34	4.260	3.260	.120	.120	1.92	4.026	3.068	.237	.216	3.84
4 x 3-1/2	4.500	4.000	4	4.334	3.834	.083	.083	1.38	4.260	3.760	.120	.120	1.98	4.026	3.548	.237	.226	3.97



Av. Agrupamiento "I" No. 17 Col. Aragón Narciso Bassols Del. Gustavo A. Madero C.P. 07980 CDMX  
 Conmutador. 55 5839 2588 / 5839 7821 / 5839 4891  
 ventas@cobrival.com | www.cobrival.com





# FITTINGS WELDED & SEAMLESS ASTM A-403

## CONC. / ECC. REDUCERS

cobrival.com

### DIMENSIONS

unit : inch / lb

Nominal Pipe Size <small>Large End X Small End</small>	Outside Diameter Large End (O.D.)	Outside Diameter Small End (O.D.)	Length (H)	Schedule 5S			Schedule 10S			Schedule 40S								
				Inside Diameter Large End (I.D.)	Inside Diameter Small End (I.D.)	Wall Thickness Large End (T)	Wall Thickness Small End (t)	Approximate Weight**	Inside Diameter Large End (I.D.)	Inside Diameter Small End (I.D.)	Wall Thickness Large End (T)	Wall Thickness Small End (t)	Approximate Weight**					
5 x 2	5.563	2.375	5	5.345	2.245	.109	.065	2.33	5.295	2.157	.134	.109	2.83	5.047	2.067	.258	.154	5.55
5 x 2-1/2	5.563	2.875	5	5.345	2.709	.109	.083	2.55	5.295	2.635	.134	.120	3.09	5.047	2.469	.258	.203	6.07
5x3	5.563	3.500	5	5.345	3.334	.109	.083	2.64	5.295	3.260	.134	.120	3.20	5.047	3.068	.258	.216	6.29
5x3-1/2	5.563	4.000	5	5.345	3.834	.109	.083	2.71	5.295	3.760	.134	.120	3.28	5.047	3.548	.258	.226	6.45
5x 4	5.563	4.500	5	5.345	4.334	.109	.083	2.76	5.295	4.260	.134	.120	3.29	5.047	4.026	.258	.237	6.57
6x2-1/2	6.625	2.875	5-1/2	6.407	2.709	.109	.083	3.18	6.357	2.635	.134	.120	3.35	6.065	2.469	.280	.203	8.37
6x3	6.625	3.500	5-1/2	6.407	3.334	.109	.083	3.33	6.357	3.260	.134	.120	4.01	6.065	3.068	.280	.216	8.77
6x3-1/2	6.625	4.000	5-1/2	6.407	3.834	.109	.083	3.39	6.357	3.760	.134	.120	4.20	6.065	3.548	.280	.226	8.93
6x 4	6.625	4.500	5-1/2	6.407	4.334	.109	.083	3.41	6.357	4.260	.134	.120	4.31	6.065	4.026	.280	.237	8.99
6x 5	6.625	5.563	5-1/2	6.407	5.345	.109	.109	3.60	6.357	5.295	.134	.134	4.45	6.065	5.047	.280	.258	9.48
8 x3-1/2	8.625	4.000	6	8.407	3.834	.109	.083	4.65	8.329	3.760	.148	.120	6.48	7.981	3.548	.322	.226	14.10
8x 4	8.625	4.500	6	8.407	4.334	.109	.083	4.76	8.329	4.260	.148	.120	6.64	7.981	4.026	.322	.237	14.44
8x5	8.625	5.563	6	8.407	5.345	.109	.109	4.87	8.329	5.295	.148	.134	6.79	7.981	5.047	.322	.258	14.78
8x6	8.625	6.625	6	8.407	6.407	.109	.109	5.05	8.329	6.357	.148	.134	7.04	7.981	6.065	.322	.280	15.31
10x 4	10.750	4.500	7	10.482	4.334	.134	.083	8.34	10.420	4.260	.165	.120	10.43	10.020	4.026	.365	.237	23.19
10x5	10.750	5.563	7	10.482	5.345	.134	.109	8.62	10.420	5.295	.165	.134	10.78	10.020	5.047	.365	.258	23.96
10x6	10.750	6.625	7	10.482	6.407	.134	.109	8.82	10.420	6.357	.165	.134	11.03	10.020	6.065	.365	.280	24.52
10x8	10.750	8.625	7	10.482	8.407	.134	.109	9.17	10.420	8.329	.165	.148	11.46	10.020	7.981	.365	.322	25.48
12x5	12.750	5.563	8	12.438	5.345	.156	.109	13.72	12.390	5.295	.180	.134	16.07	12.000	5.047	.375	.258	33.48
12x6	12.750	6.625	8	12.438	6.407	.156	.109	14.01	12.390	6.357	.180	.134	16.38	12.000	6.065	.375	.280	34.13
12x8	12.750	8.625	8	12.438	8.407	.156	.109	14.45	12.390	8.329	.180	.148	16.91	12.000	7.981	.375	.322	35.24
12x10	12.750	10.750	8	12.438	10.482	.156	.134	15.03	12.390	10.420	.180	.165	17.60	12.000	10.020	.375	.365	36.67
14x6	14.000	6.625	13	13.688	6.407	.156	.109	23.78	13.624	6.357	.188	.134	29.00	13.250	6.065	.375	.280	58.00
14x8	14.000	8.625	13	13.688	8.407	.156	.109	25.10	13.624	8.329	.188	.148	30.61	13.250	7.981	.375	.322	61.22
14x10	14.000	10.750	13	13.688	10.482	.156	.134	26.05	13.624	10.420	.188	.165	31.77	13.250	10.020	.375	.365	63.55
14x12	14.000	12.750	13	13.688	12.438	.156	.156	27.64	13.624	12.390	.188	.180	33.71	13.250	12.000	.375	.375	67.42
16x8	16.000	8.625	14	15.670	8.407	.165	.109	32.39	15.624	8.329	.188	.148	36.81	15.250	7.981	.375	.322	73.62
16x10	16.000	10.750	14	15.670	10.482	.165	.134	34.37	15.624	10.420	.188	.165	39.06	15.250	10.020	.375	.365	78.12
16x12	16.000	12.750	14	15.670	12.438	.165	.156	35.60	15.624	12.390	.188	.180	40.45	15.250	12.000	.375	.375	80.91
16x14	16.000	14.000	14	15.670	13.688	.165	.156	36.48	15.624	13.624	.188	.188	41.46	15.250	13.250	.375	.375	82.92
18x10	18.000	10.750	15	17.670	10.482	.165	.134	40.78	17.624	10.420	.188	.165	46.34	17.250	10.020	.375	.365	92.69
18x12	18.000	12.750	15	17.670	12.438	.165	.156	41.66	17.624	12.390	.188	.180	47.35	17.250	12.000	.375	.375	94.70
18x14	18.000	14.000	15	17.670	13.688	.165	.156	42.48	17.624	13.624	.188	.188	48.28	17.250	13.250	.375	.375	96.56
18x16	18.000	16.000	15	17.670	15.670	.165	.165	43.64	17.624	15.624	.188	.188	49.60	17.250	15.250	.375	.375	99.20
20x12	20.000	12.750	20	19.624	12.438	.188	.156	71.50	19.564	12.390	.218	.180	71.50	19.250	12.000	.375	.375	143.00
20x14	20.000	14.000	20	19.624	13.688	.188	.156	72.50	19.564	13.624	.218	.188	84.10	19.250	13.250	.375	.375	145.00
20x16	20.000	16.000	20	19.624	15.670	.188	.165	73.00	19.564	15.624	.218	.188	84.68	19.250	15.250	.375	.375	146.00
20x18	20.000	18.000	20	19.624	17.670	.188	.165	75.50	19.564	17.624	.218	.188	87.58	19.250	17.250	.375	.375	151.00
24x16	24.000	16.000	20	23.564	15.670	.218	.165	98.02	23.500	15.624	.250	.188	98.02	23.250	15.250	.375	.375	169.00
24x18	24.000	18.000	20	23.564	17.670	.218	.165	100.00	23.500	17.624	.250	.188	100.00	23.250	17.250	.375	.375	173.00
24x20	24.000	20.000	20	23.564	19.624	.218	.188	103.00	23.500	19.564	.250	.218	103.00	23.250	19.250	.375	.375	179.00





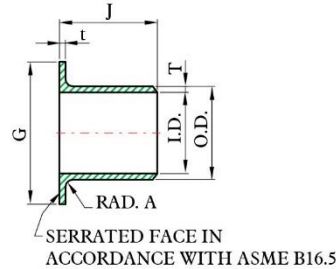
# FITTINGS WELDED & SEAMLESS ASTM A-403

## STUB END TYPE "A" & TYPE "B"

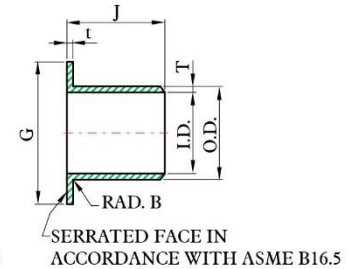
cobrival.com



Stub Ends are supplied in Type A or Type B.  
Type A is more readily available.



**TYPE A**



**TYPE B**

Schedules 5S and 10S Stub Ends are usually supplied in Short Lengths; Long Lengths are available on special order.

Schedule 40S Stub Ends are supplied in either Short or Long Lengths.

## DIMENSIONS

unit : inch / lb

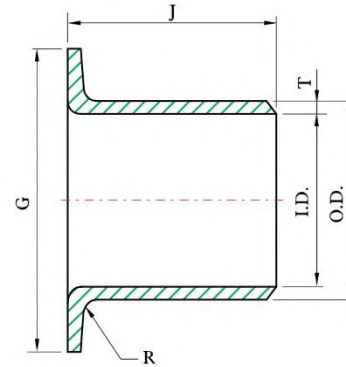
Nominal Pipe Size	Outside diameter (O.D.)	Diameter (G)	Length (J)		Radius (A)		Schedule 40S			
			Short	Long	A	B	Inside Diameter (I.D.)	Wall Thickness (T)	Lap Thickness (t)	Approx. weight **
1/2	.840	1.375	2	3	1/8	1/32	.622	.109	.109	.19
3/4	1.050	1.688	2	3	1/8	1/32	.824	.113	.113	.26
1	1.315	2.000	2	4	1/8	1/32	1.049	.133	.133	.38
1-1/4	1.660	2.500	2	4	3/16	1/32	1.380	.140	.140	.55
1-1/2	1.900	2.875	2	4	1/4	1/32	1.610	.145	.145	.69
2	2.375	3.625	2-1/2	6	5/16	1/32	2.067	.154	.154	1.35
2-1/2	2.875	4.125	2-1/2	6	5/16	1/32	2.469	.203	.203	1.77
3	3.500	5.000	2-1/2	6	3/8	1/32	3.068	.216	.216	2.50
3-1/2	4.000	5.500	3	6	3/8	1/32	3.548	.226	.226	3.58
4	4.500	6.188	3	6	7/16	1/32	4.026	.237	.237	4.13
5	5.563	7.313	3	8	7/16	1/16	5.047	.258	.258	6.15
6	6.625	8.500	3-1/2	8	1/2	1/16	6.065	.280	.280	7.88
8	8.625	10.625	4	8	1/2	1/16	7.981	.322	.322	13.38
10	10.750	12.750	5	10	1/2	1/16	10.020	.365	.365	22.20
12	12.750	15.000	6	10	1/2	1/16	12.000	.375	.375	31.50
14	14.000	16.250	6	12	1/2	1/16	13.250	.375	.375	37.80
16	16.000	18.500	6	12	1/2	1/16	15.250	.375	.375	45.00
18	18.000	21.000	6	12	1/2	1/16	17.250	.375	.375	60.00
20	20.000	23.000	6	12	1/2	1/16	19.250	.375	.375	66.00
24	24.000	27.250	6	12	1/2	1/16	23.250	.375	.375	85.00



# FITTINGS WELDED & SEAMLESS ASTM A-403

## STUB END TYPE "C"

cobrival.com



**TYPE C**

## DIMENSIONS

unit : inch / lb

Nominal Pipe Size	Outside diameter (O.D.)	Diameter (G)	Length (J)	Radius (R)	Schedule 5S			Schedule 10S		
					Inside Diameter (I.D.)	Wall Thickness (T)	Approx. weight **	Inside Diameter (I.D.)	Wall Thickness (T)	Approx. weight **
1/2	.840	1.375	2	1/32	.710	.065	.13	.674	.083	.14
3/4	1.050	1.688	2	1/32	.920	.065	.14	.884	.083	.18
1	1.315	2.000	2	1/32	1.185	.065	.19	1.097	.109	.31
1-1/4	1.660	2.500	2	1/32	1.530	.065	.21	1.442	.109	.42
1-1/2	1.900	2.875	2	1/32	1.770	.065	.29	1.682	.109	.44
2	2.375	3.625	2-1/2	1/32	2.245	.065	.44	2.157	.109	.81
2-1/2	2.875	4.125	2-1/2	1/32	2.709	.083	.75	2.635	.120	1.00
3	3.500	5.000	2-1/2	1/32	3.334	.083	.94	3.260	.120	1.25
4	4.500	6.188	3	1/32	4.334	.083	1.38	4.260	.120	1.88
5	5.563	7.313	3	1/16	5.345	.109	2.06	5.295	.134	2.63
6	6.625	8.500	3-1/2	1/16	6.407	.109	2.75	6.357	.134	3.56
8	8.625	10.625	4	1/16	8.407	.109	3.88	8.329	.148	6.19
10	10.750	12.750	5	1/16	10.482	.134	7.48	10.420	.165	9.46
12	12.750	15.000	6	1/16	12.438	.156	15.00	12.390	.180	16.07
14	14.000	16.250	6	1/16	13.688	.156	19.20	13.624	.188	23.10
16	16.000	18.500	6	1/16	15.670	.165	23.90	15.624	.188	27.20
18	18.000	21.000	6	1/16	17.670	.165	28.50	17.624	.188	32.40
20	20.000	23.000	6	1/16	19.624	.188	36.30	19.564	.218	47.70
24	24.000	27.250	6	1/16	23.564	.218	56.00	23.500	.250	58.27

