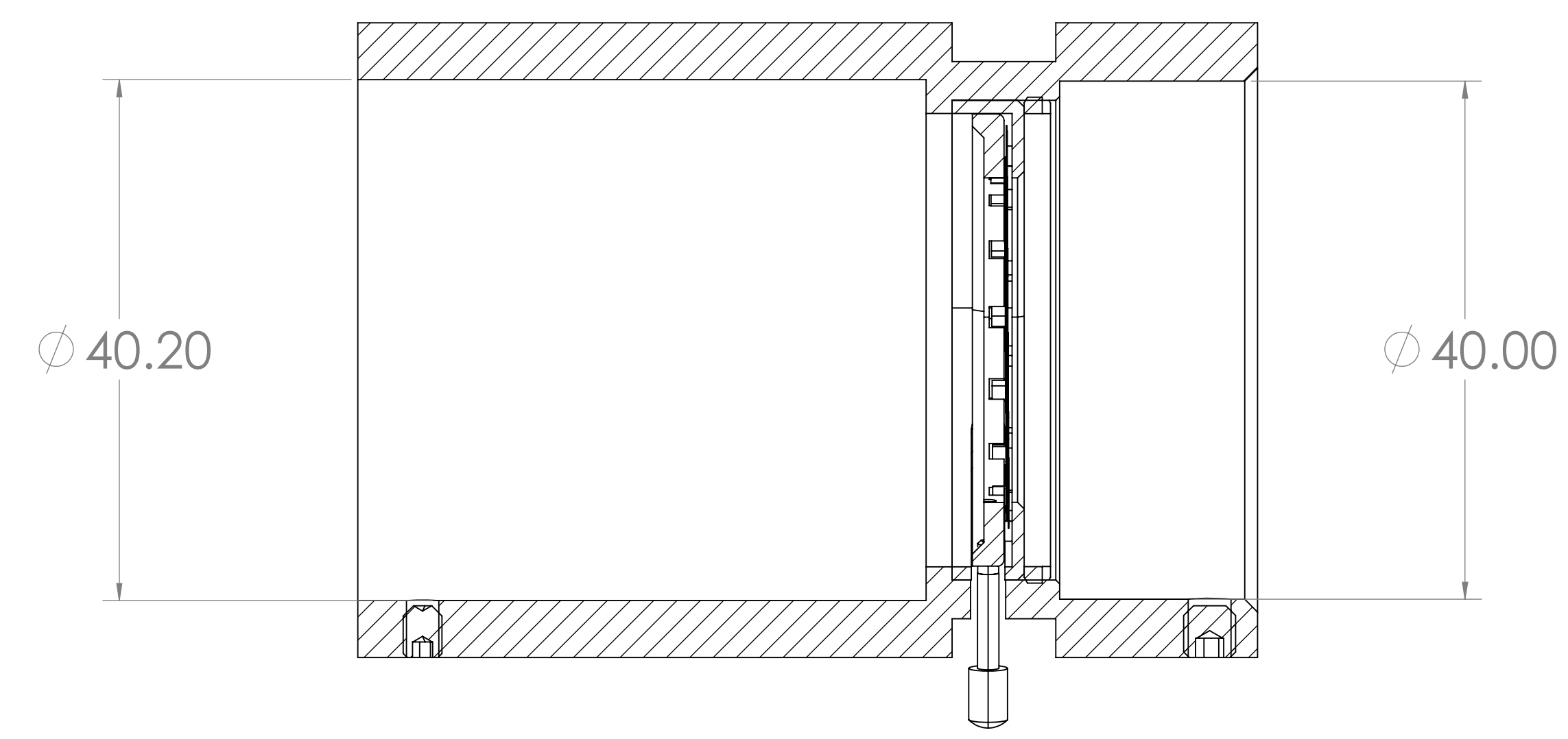
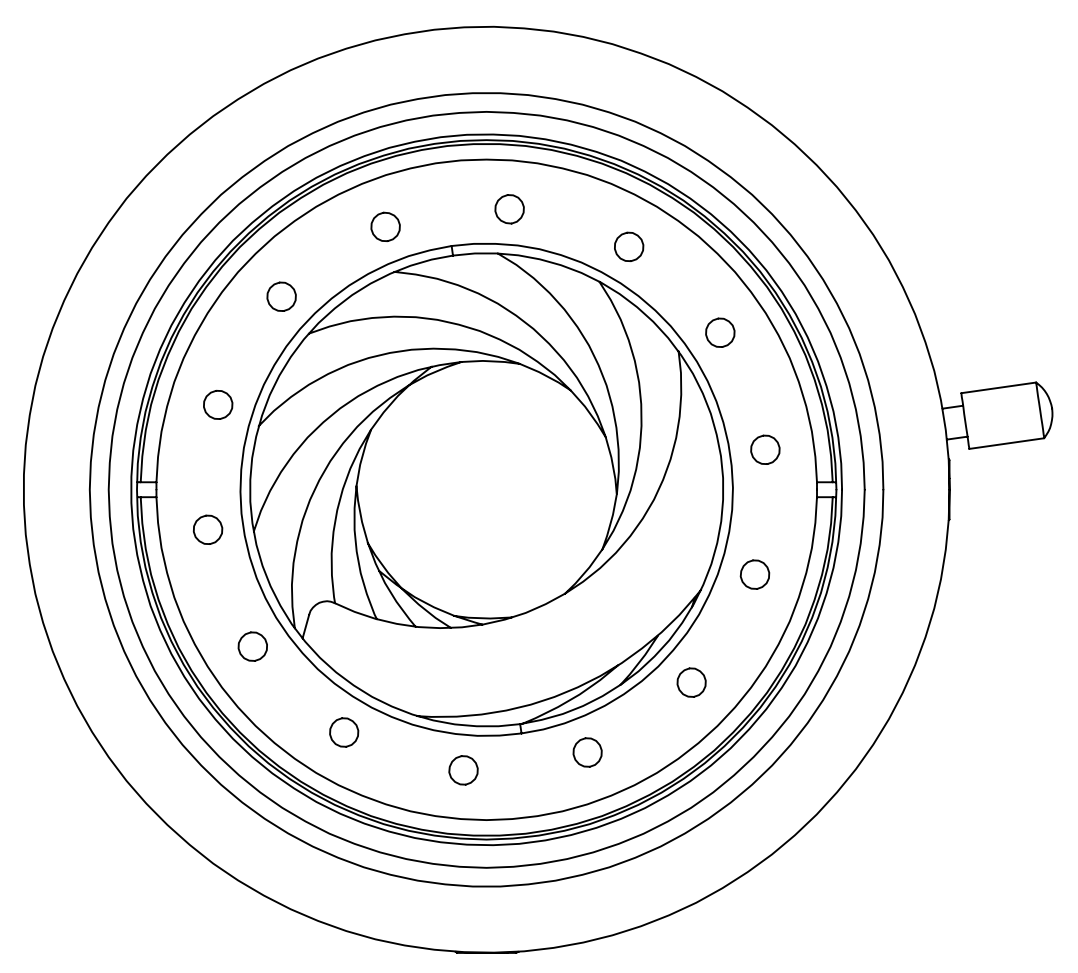
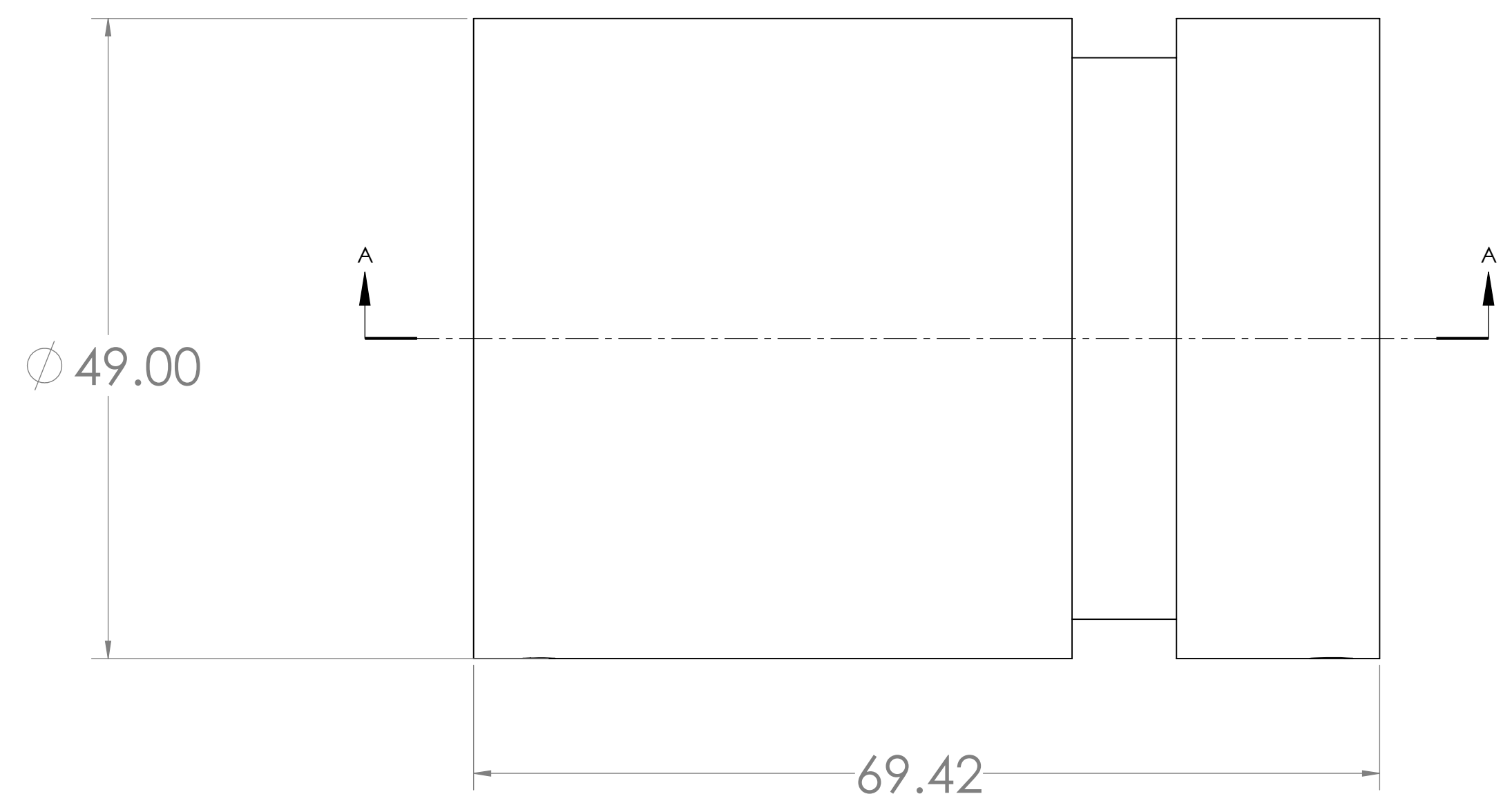
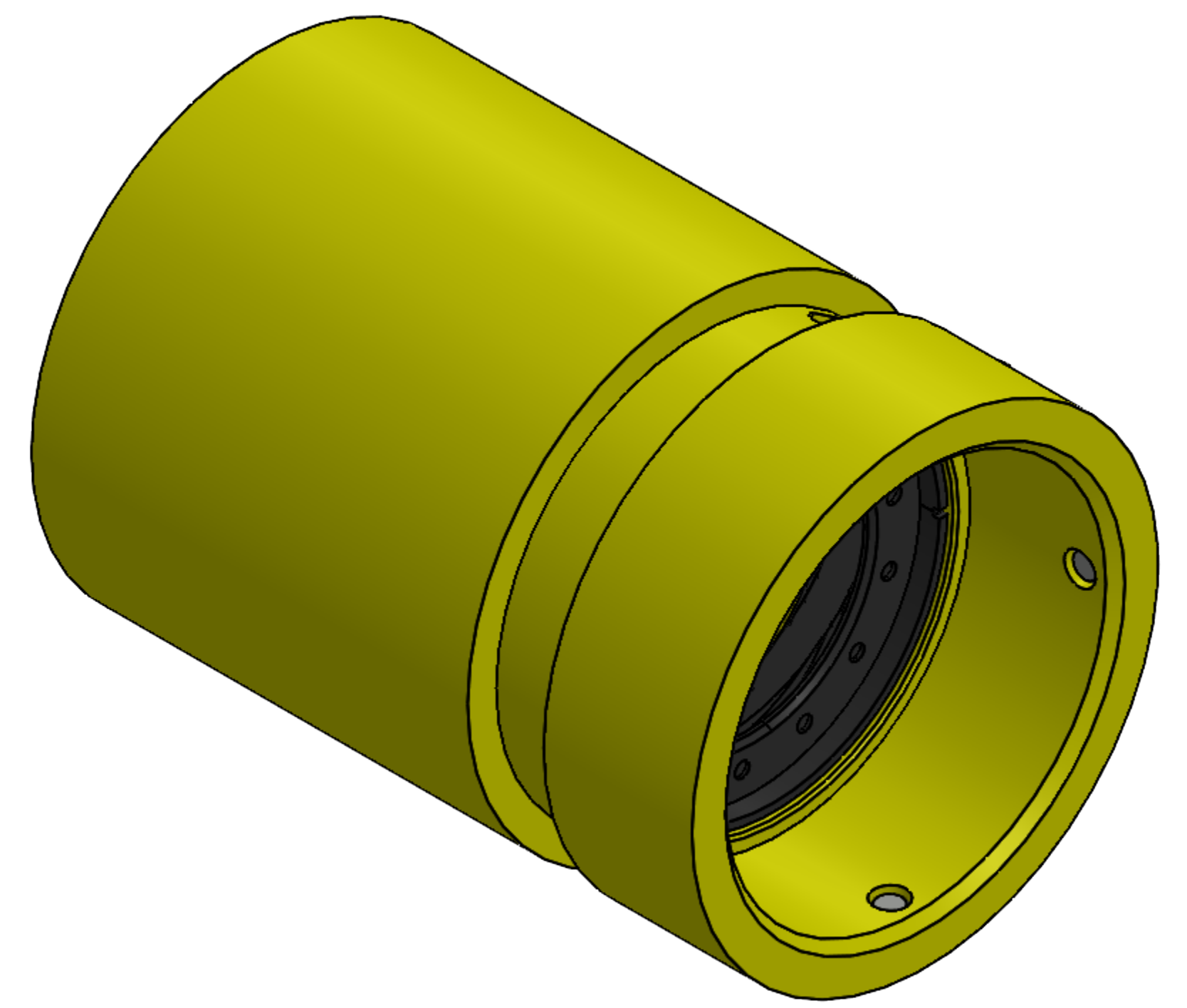
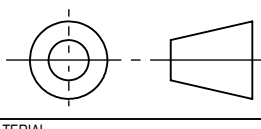



REVISIONS			
REV.	DESCRIPTION	DATE	APPROVED
X1	RELEASE FOR FABRICATION		



SECTION A-A



INTERPRET DRAWING PER ASME Y 14.5 - 2009 THIRD ANGLE PROJECTION 		UNLESS OTHERWISE SPECIFIED: DIMENSIONS ARE IN MILLIMETERS METRIC TOLERANCE: XX. = ± 0.5 XX.X = ± 0.2 XX.XX = ± 0.1 ANGLES = $\pm 1^\circ$		DO NOT SCALE DRAWING APPROVALS DRAWN: xiaoling.huang CHECKED: -- ENG: -- MFG ENG: -- QUAL ENG: -- DATE: 02/20/2024 PART DESCRIPTION: -- SIZE: D PART NO: VIL-FA-1 SCALE: 2.5:1 DWG CAD FILE: Ass_VIL-FA-1			
3D MODEL REV AND CAD FILE NAME X1 Ass_VIL-FA-1				SHEET 1 of 1		DWG REV X1	