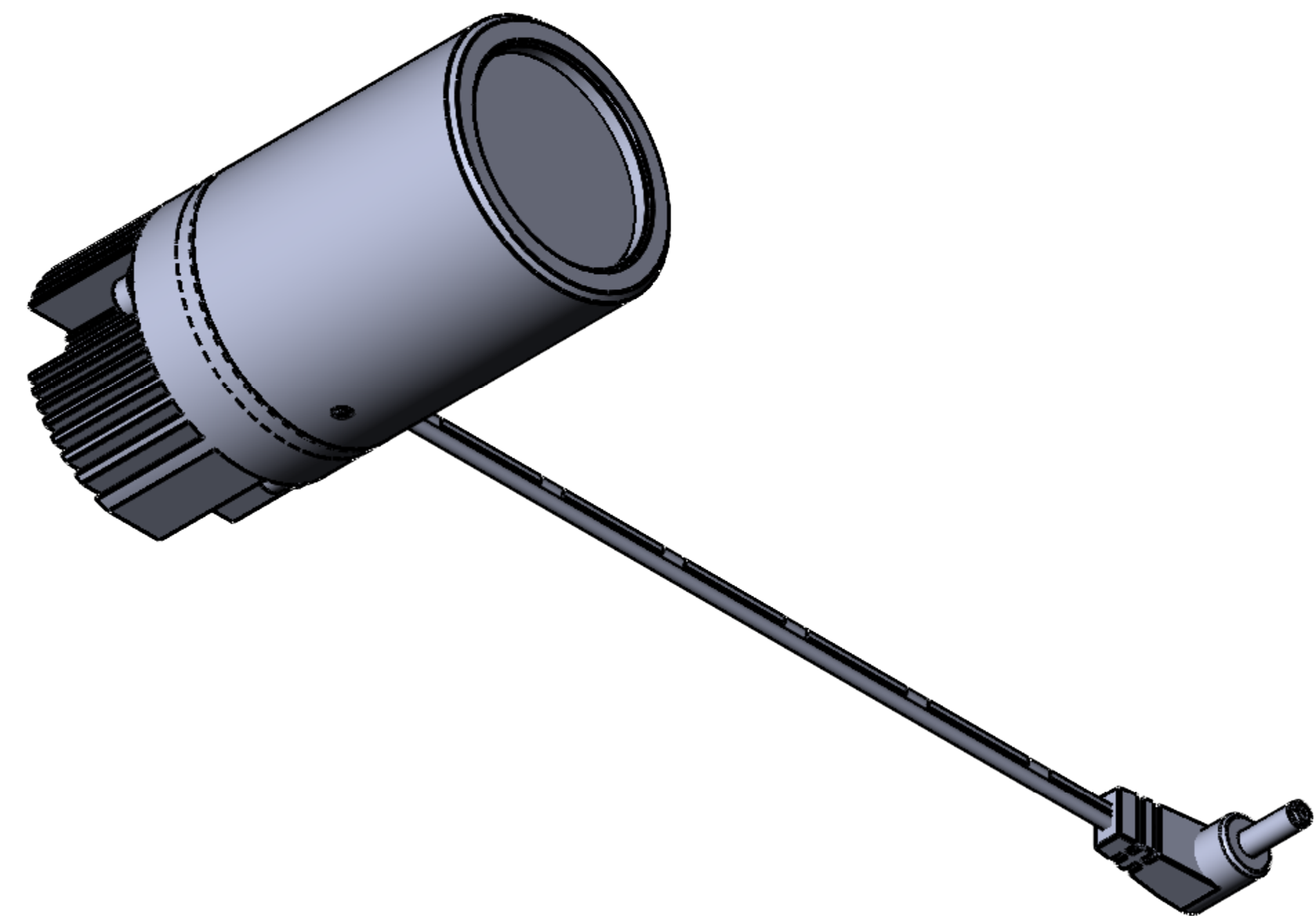
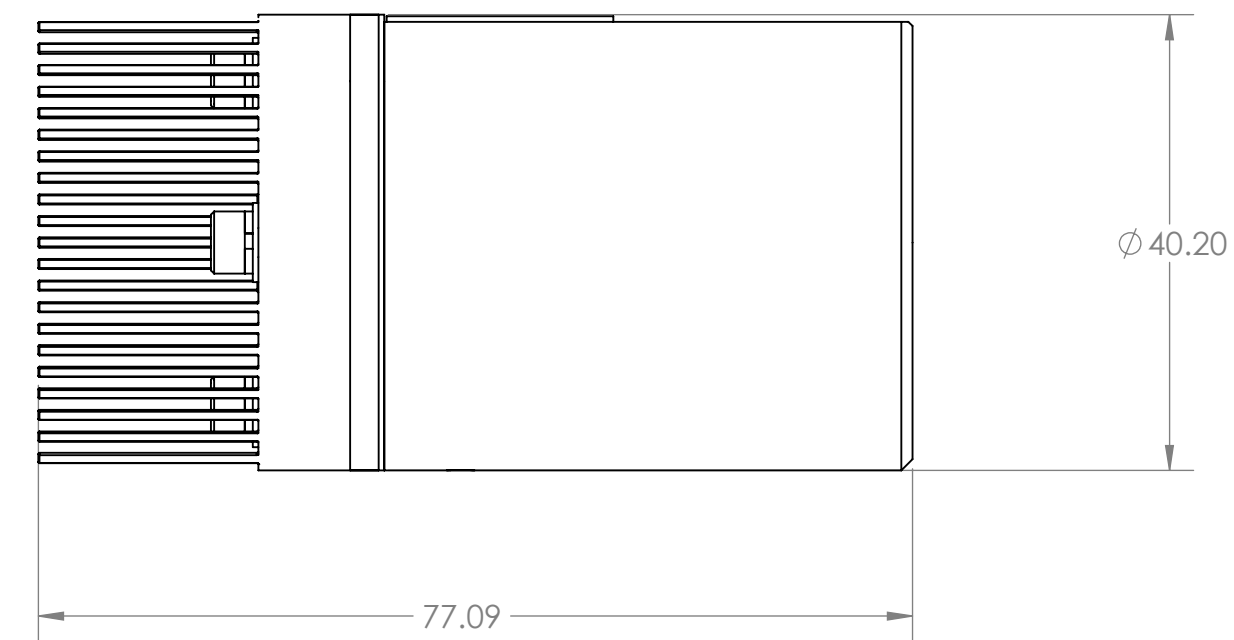
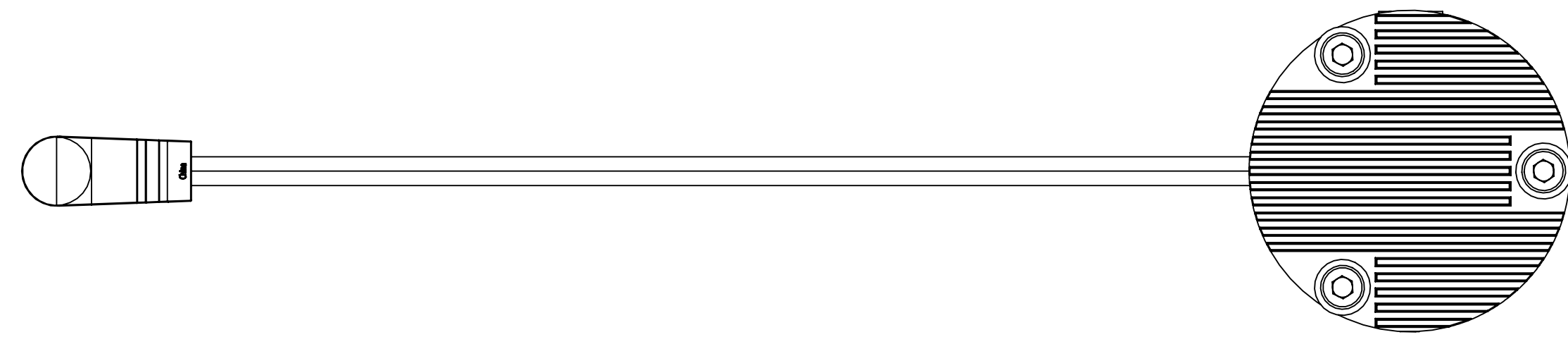

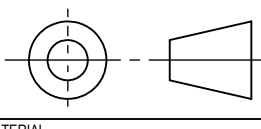


REVISIONS			
REV.	DESCRIPTION	DATE	APPROVED
X1	RELEASE FOR FABRICATION		



3D MODEL REV AND CAD FILE NAME
X1 VIL151X-A

INTERPRET DRAWING PER ASME Y 14.5 - 2009		UNLESS OTHERWISE SPECIFIED: DIMENSIONS ARE IN MILLIMETERS		DO NOT SCALE DRAWING			
THIRD ANGLE PROJECTION		METRIC TOLERANCE: XX. = ± 0.5 XX.X = ± 0.2 XX.XX = ± 0.1 ANGLES = ± 1°		APPROVALS DRAWN: xiaoling.huang CHECKED: -- ENG: -- MFG ENG: -- QUAL ENG: --		DATE: 02/02/2024 PART DESCRIPTION: VIL 151X -A PART NO: VIL151 SCALE: 1.5:1 DWG CAD FILE: VIL151X-A	
		MATERIAL: -- FINISH: --		SIZE: D SHEET: 1 of 1		DWG REV: X1	