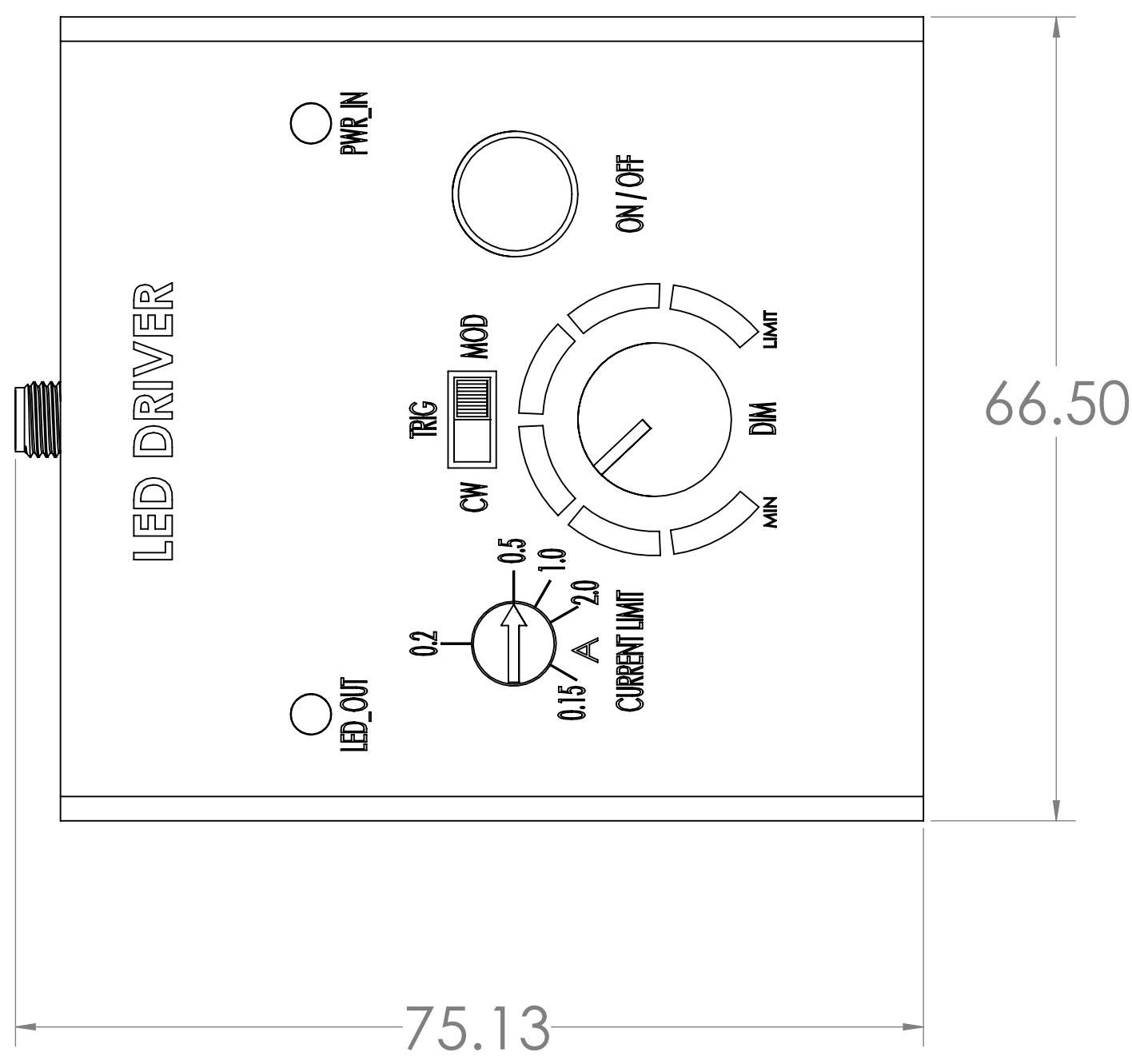
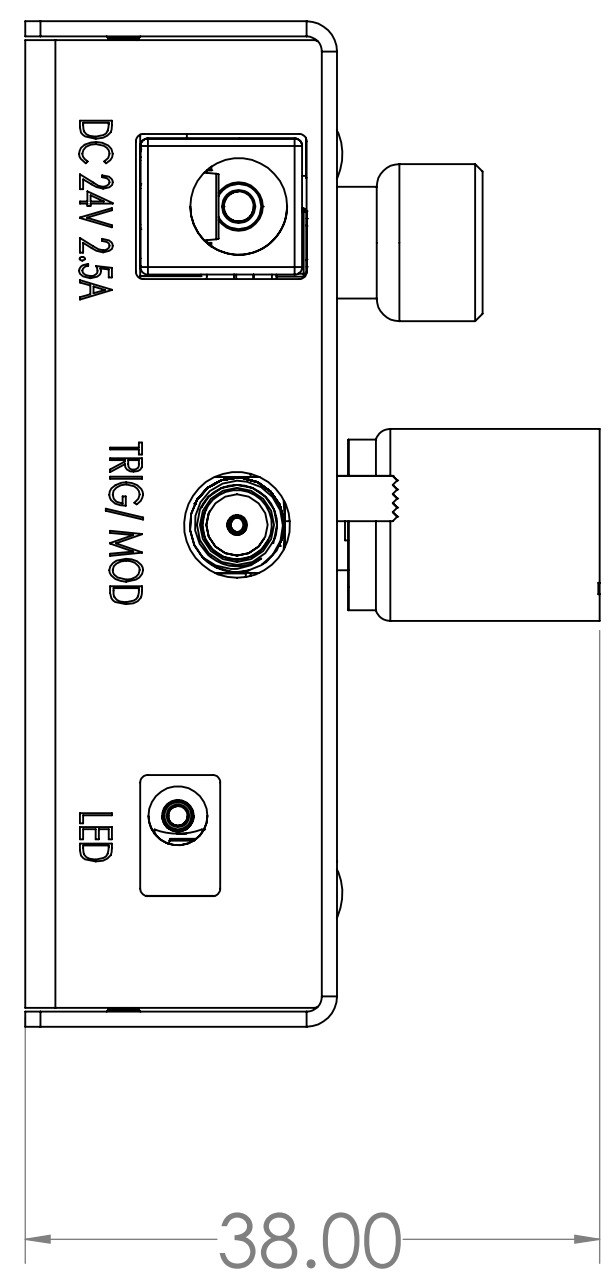
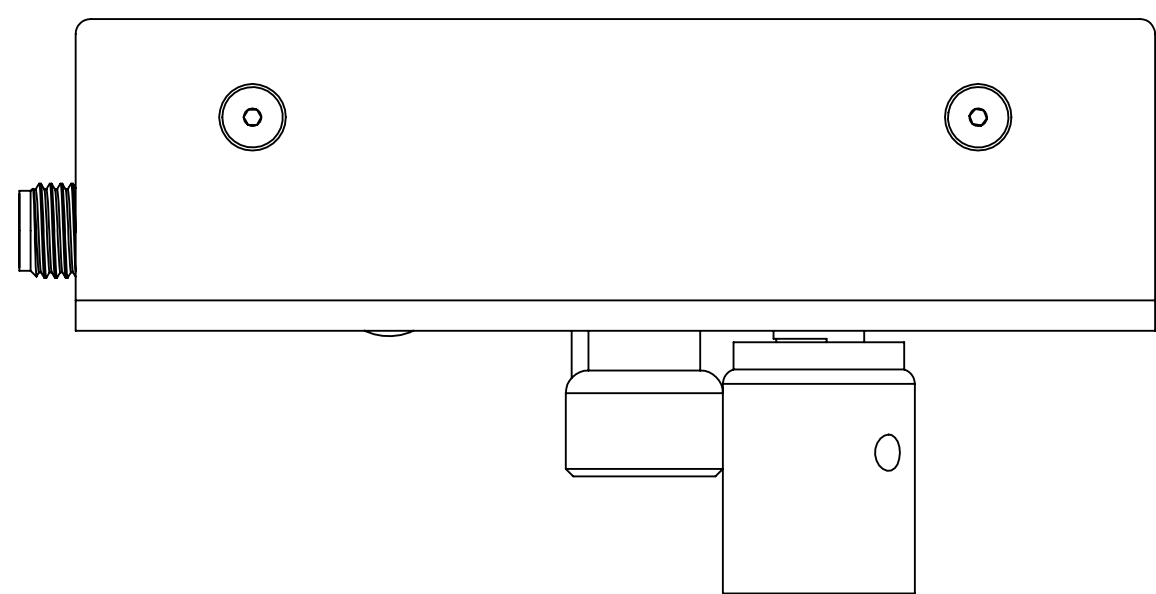


REVISIONS			
REV.	DESCRIPTION	DATE	APPROVED
X1	RELEASE FOR FABRICATION		



3D MODEL REV AND CAD FILE NAME		INTERPRET DRAWING PER ASME Y 14.5 - 2009		UNLESS OTHERWISE SPECIFIED: DIMENSIONS ARE IN MILLIMETERS		DO NOT SCALE DRAWING			
X1	Ass. VLD V 2.ALPHA	THIRD ANGLE PROJECTION		METRIC TOLERANCE: XX. = ± 0.5 XX.X = ± 0.2 XX.XX = ± 0.1 ANGLES = ± 1°		APPROVALS DRAWN: xiaoling.huang CHECKED: -- ENG: -- MFG ENG: -- QUAL ENG: --		DATE: 24/01/2024 PART DESCRIPTION: VLD SIZE: D PART NO: -- SCALE: 2:1 DWG CAD FILE: Ass. VLD V 2.ALPHA	
						SHEET 1 of 1		DWG REV X1	

6 5 4 3 2 1

6 5 4 3 2 1

E
D
C
B
A

E
D
C
B
A