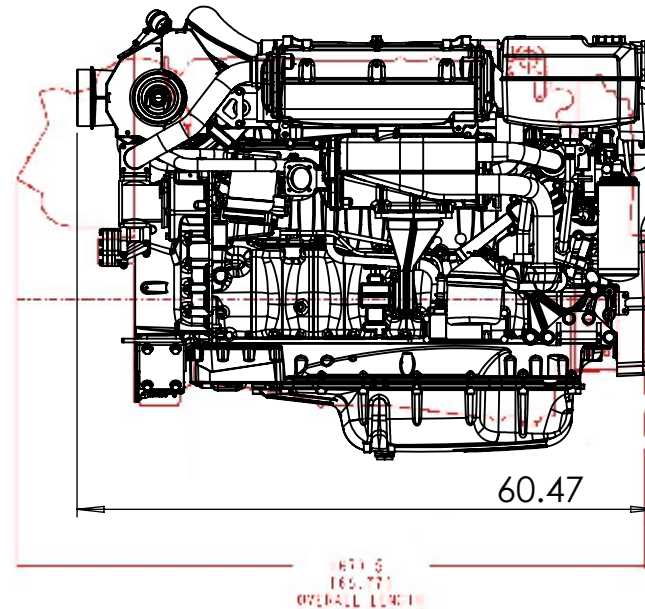
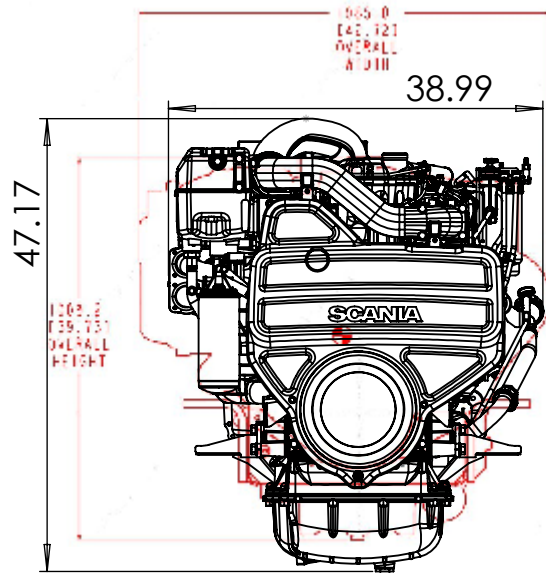


Cummins QSM11(Red) versus Scania DI13 087M (Black)



Engine Dimensions:

Cummins - 65.77in L x 42.72in W x 39.73in H

Scania - 60.47in L x 38.99in W x 47.17in H

PROPRIETARY AND CONFIDENTIAL
 THE INFORMATION CONTAINED IN THIS DRAWING IS THE SOLE PROPERTY OF <INSERT COMPANY NAME HERE>. ANY REPRODUCTION IN PART OR AS A WHOLE WITHOUT THE WRITTEN PERMISSION OF <INSERT COMPANY NAME HERE> IS PROHIBITED.

UNLESS OTHERWISE SPECIFIED:	DRAWN	NAME	DATE
	CHECKED	ASwan	
DIMENSIONS ARE IN INCHES TOLERANCES: FRACTIONAL ± ANGULAR: MACH ± BEND ± TWO PLACE DECIMAL ± THREE PLACE DECIMAL ±	ENG APPR.		
SCALE: 1:20	COMMENTS:		TITLE:
SHEET 1 OF 1			SIZE DWG. NO. REV
DO NOT SCALE DRAWING			A Cummins QSM11 vs DI13 087M

