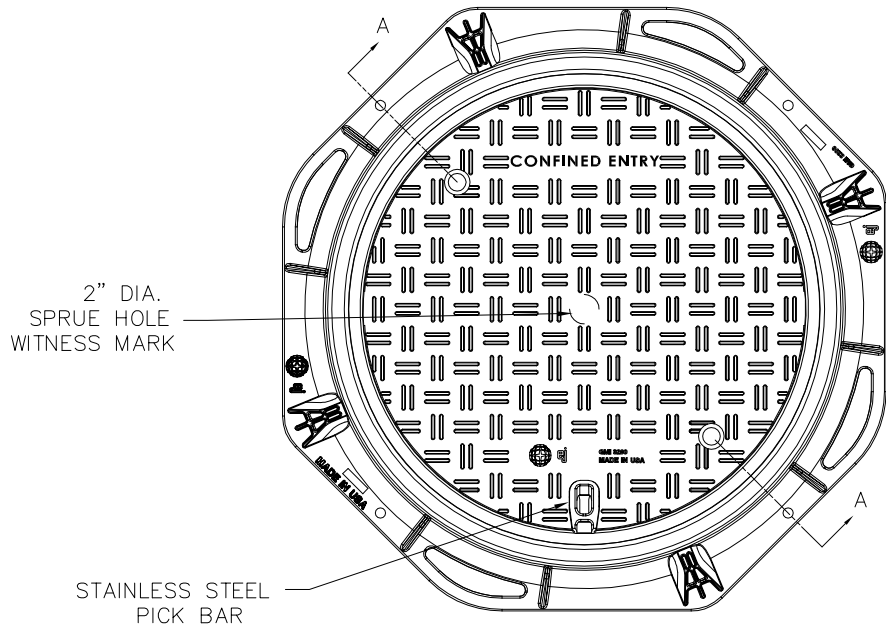


# 3200 Series Cover and Frame Assembly



BOM			
ITEM #	QTY	PART #	DESCRIPTION
1	1	COM320010	COMPOSITE FRAME
2	1	COM320087	COMPOSITE COVER

## Product Number

COM320087A01

## Design Features

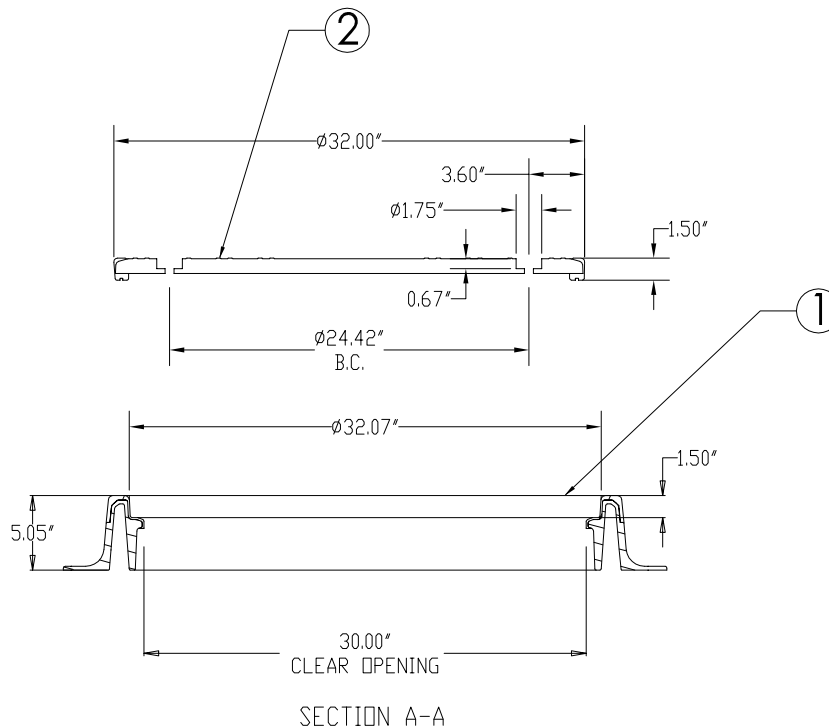
- Materials  
Fiber Reinforced Polymer
- Proof Load  
H-25 (50,000 LB) / D400 (400kN)
- Open Area  
n/a
- Coating  
Undipped
- √ Designates Machined Surface

## Weight

Cover - 50 lbs.  
Frame - 40 lbs.

## Certification

- H25 Proof load per AASHTO M306-10
- D400 Proof load per EN124
- 
- Country of Origin: USA



## Lock Option

TwistLIFT®

\*TwistLIFT is a registered trademark of Titus Industrial Group

\*TwistLIFT iSecurity Handle sold separately (EJ# COMCOT30)

## Drawing Revision

4/11/2016 Designer: MAH  
Revised By:

## Disclaimer

Weights (lbs./kg) dimensions (inches/mm) and drawings provided for your guidance. We reserve the right to modify specifications without prior notice.

CONFIDENTIAL: This drawing is the property of EJ GROUP, Inc., and embodies confidential information, registered marks, patents, trade secret information, and/or know how that is the property of EJ GROUP, Inc. Copyright © 2015 EJ GROUP, Inc. All rights reserved.

## Contact

800 626 4653  
ejco.com