

TITUS® TwistLIFT® Security Lock Assembly

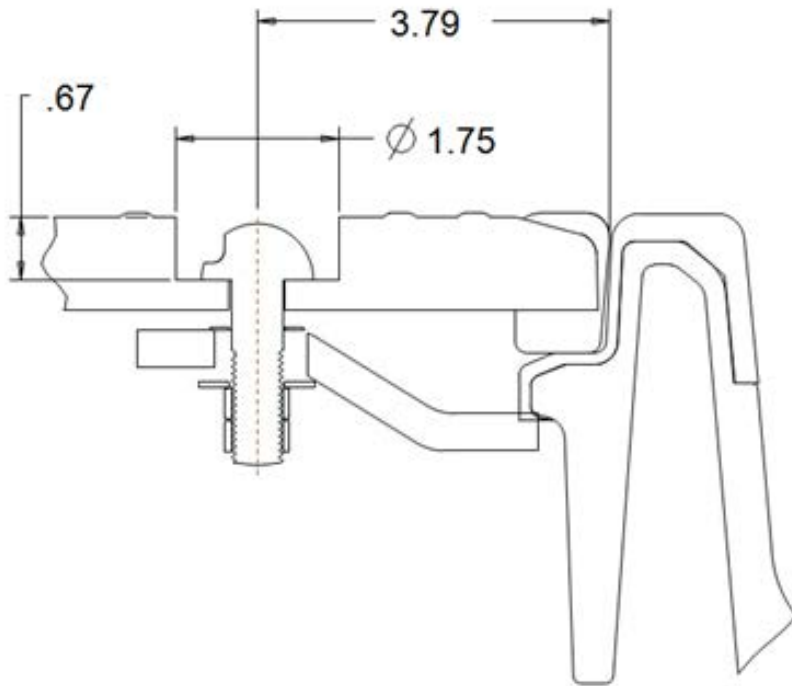


Product Number: TL-125

Materials

17-4PH H900 Hardened Stainless Steel Security Bolt and Stainless-Steel fasteners

304L Stainless Steel Paddle



Manufactured by: TITUS® Industrial Group, Inc.

Disclaimer: Weights (lbs./kb), dimensions (inches/mm), are provided for your guidance. We reserve the right to modify specifications without prior notice.

Confidential: This drawing is property of TITUS® Industrial Group Inc. and embodies confidential information, registered marks, patents, trade secret information, and/or know how that is the property of TITUS® Industrial Group Inc.

All Rights Reserved. Do not reproduce in whole or part without written permission



Contact: 877-582-9899

Info@titusig.com
www.Titusig.com