



**Product Number: TL-125**

**Materials:**

17-4PH H900 Hardened Stainless Steel Security Bolt  
316 Stainless Steel Fasteners

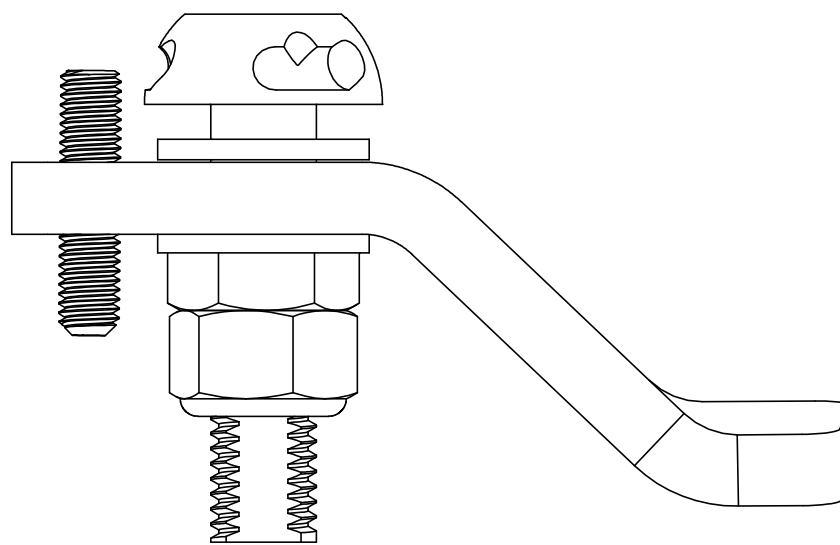
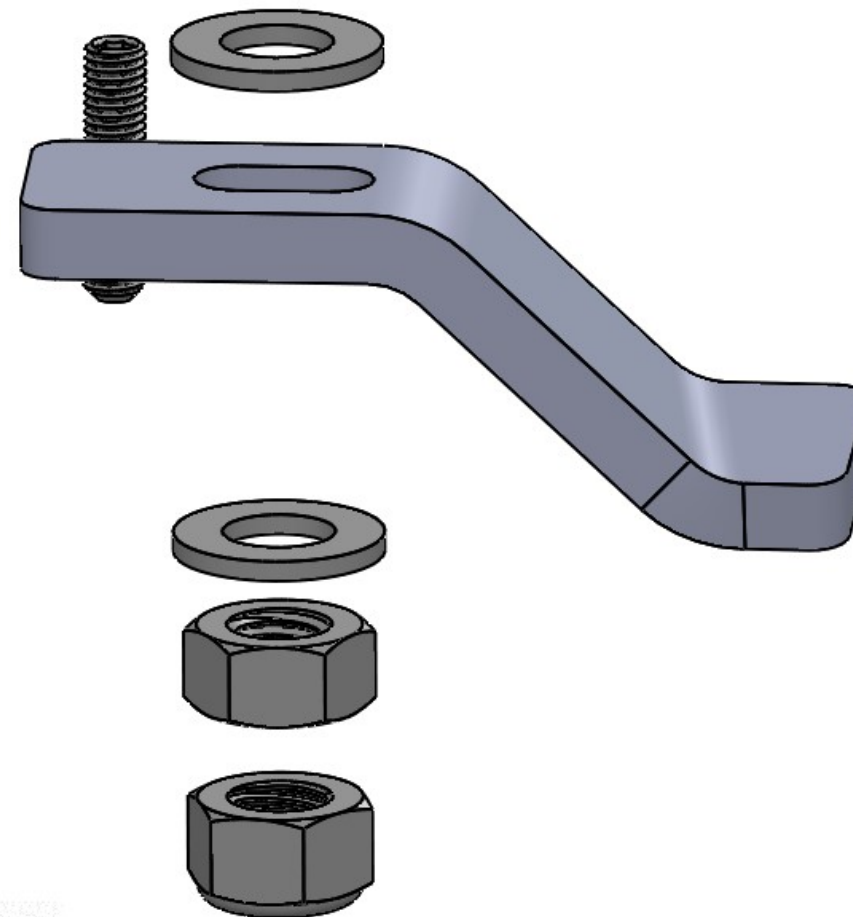
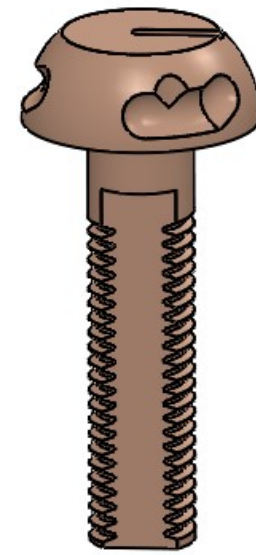
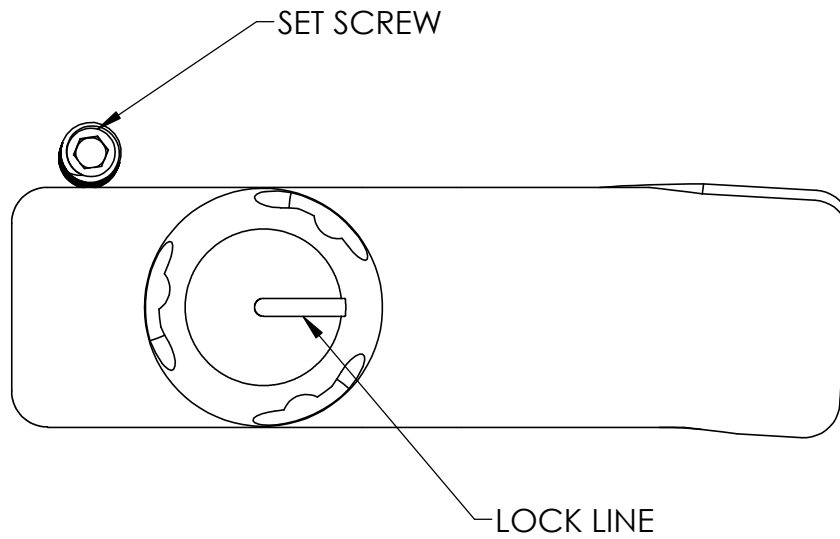
304L Stainless Steel Paddle


**Manufactured by: Titus Industrial Group, Inc.**

**Disclaimer:** Weights (lbs. / kg), Dimensions (Inches / mm), are provided for your guidance. We reserve the right to modify specifications without prior notice.

**All Rights Reserved:** Do Not reproduce in whole or part without written permission.

**Contact:** 877-582-9899  
Info@titusig.com  
www.Titusig.com



<b>TOLERANCES</b> <small>UNLESS OTHERWISE SPECIFIED, ALL DIMENSIONS ARE IN INCHES EXCEPT WHERE NOTED. TOLERANCES ARE:</small> DIMENSIONS ARE IN INCHES TOLERANCES: FRACTIONAL ± 1/16" ANGULAR: MACH ± 1 BEND ± 1 ONE PLACE DECIMAL ± .10 TWO PLACE DECIMAL ± .01 THREE PLACE DECIMAL ± .005		 1450 North West Gardner Road Prineville OR 97754 (541) 389-1975	
APPROVAL: _____ DATE: _____ DESIGNER: ELC	TITLE: Titus Twist Lift Security Lock Assembly SIZE: B DWG.: TL-125 SCALE: 1:1 DO NOT SCALE	SHEET: 1 OF 1	REV.: _____
<small>PROPRIETARY AND CONFIDENTIAL. THIS DOCUMENT CONTAINS CONFIDENTIAL OR PROPRIETARY INFORMATION WHICH IS THE PROPERTY OF TITUS. USE OF THIS DOCUMENT IS LIMITED TO AUTHORIZED CUSTOMERS, VENDORS, OR OTHER AGENTS OF OR FABRICATION LTD. UNAUTHORIZED USE OF THIS DOCUMENT SHALL BE PROSECUTED TO THE FULLEST EXTENT OF THE LAW</small>			