



## PRODUCT DATA SHEET

### THE GRID HOOK GOLD – A WALKWAY GRATING LIFTING DEVICE



**Purposely Designed and Manufactured to Lift Walkway Grating or Grid Mesh**

- \* Conforms with Australian Standard requirements AS 4991-2004
- \* Conforms with American Standard requirements ASME B30.26-2015
- \* Conforms with European Standard requirements EN 13155:2003+A2:2009
- \* Conforms to the requirements to carry the European CE Mark
  
- \* Each Lifter is Proof Load Tested to above Standards
- \* Proof load tested to 3,600 LBS / 16KN / 1,600 KG, more than two and a half times the SWL
- \* **Safe Working Load Limit ( SWL ) 550 KG**
- \* Maximum textile strength : 45kN / 10116LBS / 4,588 KG
- \* Safety Factor is 8:1 (tensile strength 4,588 Kg divide by W.L.L. 550 Kg = 8:1)

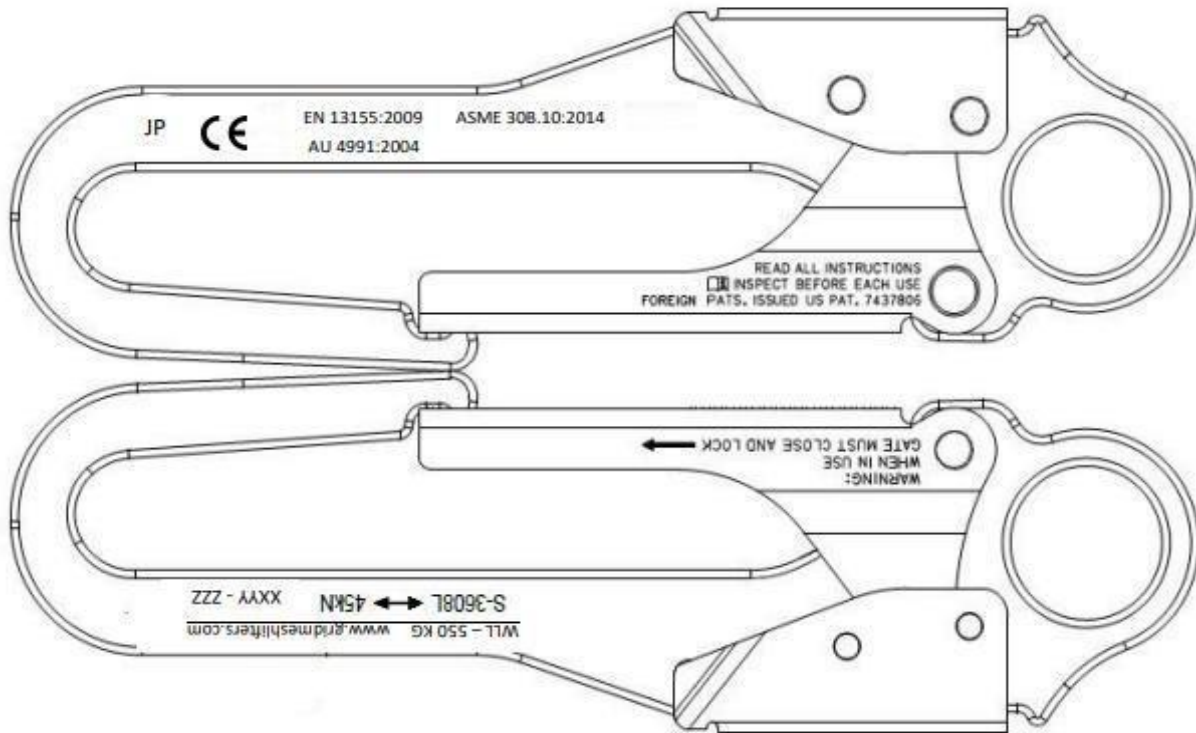
#### Material Composition

<b>Material : SAE 4130</b>									<b>Material Origin : Taiwan</b>		
<b>Manufacturer : CHINA STEEL CORPORATION</b>											
									<b>Chemical Analysis</b>		
<b>Al</b>	<b>B</b>	<b>Be</b>	<b>Bi</b>	<b>C</b>	<b>Ca</b>	<b>Cb</b>	<b>Cd</b>	<b>Co</b>	<b>Cr</b>	<b>Cu</b>	<b>Fe</b>
0.041				0.31					0.96	0.01	
<b>Ga</b>	<b>Li</b>	<b>Mg</b>	<b>Mn</b>	<b>Mo</b>	<b>Na</b>	<b>Ni</b>	<b>P</b>	<b>Pb</b>	<b>S</b>	<b>Sb</b>	<b>Si</b>
			0.51	0.17		0.01	0.014		0.002		0.05
<b>Sn</b>	<b>Sr</b>	<b>Ti</b>	<b>V</b>	<b>Zn</b>	<b>Zr</b>						

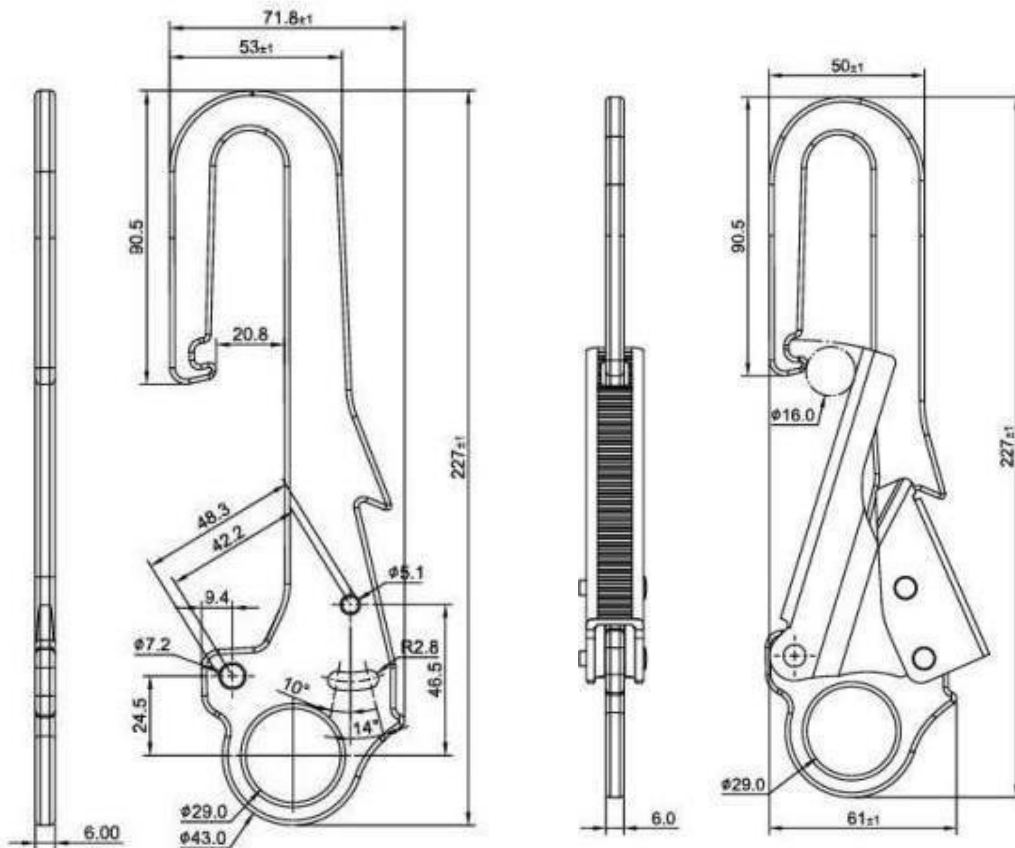
- \* Material : SAE 4130
- \* Hardness : HRC 35 to 42
- \* Yellow chromate Plated
- \* Minimum 48 hours salt spray rating
- \* Double locking safety latch
- \* 100% Visual inspected
- \* 100% Function tested before shipping



### Grid Hook Gold Marking



### Grid Hook Gold Dimensions





**For further information about the Grid Hook Gold follow the links below.**

**Website**

<https://gridmeshlifters.com>

**Grid Hook Gold - Operators Manual**

<https://gridmeshlifters.com/grid-hook-gold-operators-manual>

**How to use videos**

<https://gridmeshlifters.com/how-to-video>

**CE Mark Conformity Declaration**

<https://gridmeshlifters.com/grid-hook-gold-declaration-of-ce-mark-conformity>

**Standards Conformity Declaration**

<https://gridmeshlifters.com/grid-hook-gold-declaration-of-conformity-to-standards>

Please contact your distributor to place your order to purchase the Grid Hook Gold.  
We are a distributor based company and prefer all orders go through your local distributor.

For international sales and distributorship inquiries please contact:

Mr. Maksim Mishchenko

E-Mail: [gridmeshlifters@inter-techs.com](mailto:gridmeshlifters@inter-techs.com)

Tel. & WhatsApp Business: +998940444822

Kind Regards

**David Milne and Gareth Winn**

Inventors and owners of the Grid Hook Gold – A Walkway Grating Lifting Device