

GoldenHome

<http://www.goldenhomekitchen.com>



U.S. Headquater: 400 Apgar Drive Suite A-B, Somerset, NJ 08873
Western CDC: 8610 Rochester Ave, Rancho Cucamonga, CA 91730
Tel: (609) 240-3208
E-mail: info@goldenhomecabinets.com

NO.: NA2020B-CS01



2020



GoldenHome

Get Organized with Ease

About us

GoldenHome Milestones



8,000+

Cabinets per day



4,000+

Employees

2,000+

Franchised stores



PRODUCT LINES

Design to fit any budget

Classic
Deluxe



**Classic
Pale Pine**



Scant 3/4" thick MFC board, with melamine laminate on both front and back, and matching color edge banding on all edges.









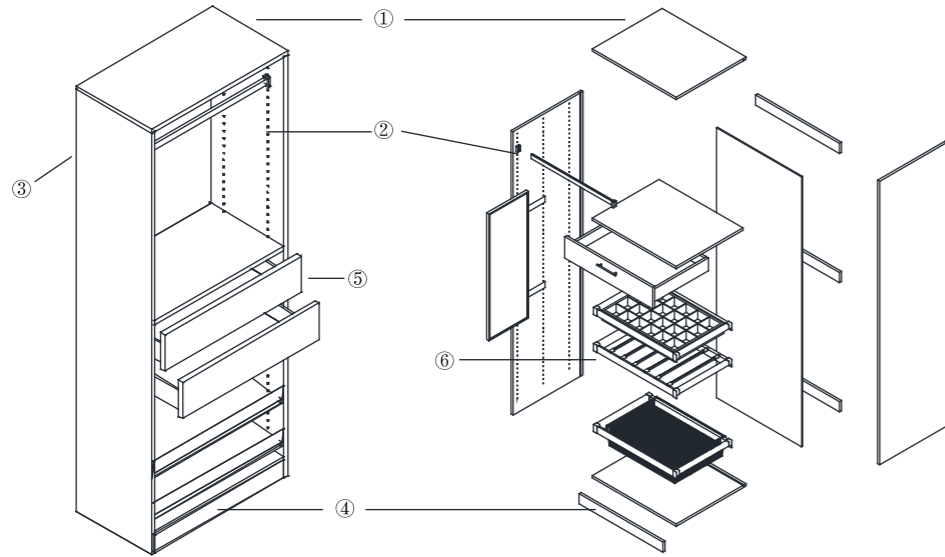


**Deluxe
Walnut Light**



Product Profile

- ① 15" and 24" depth available
- ② 32mm drilling system, standard units with shelves or hanging rods
- ③ 3/4" thickness side panel 9mm(3/8") back panel
- ④ 3" height toekick of matching color
- ⑤ 4 sizes of drawers are free for customization
- ⑥ More accessories available for both depth units



Limited Warranty Policy

5 Year Residential / 1 Year Commercial

GoldenHome Cabinetry warrants that it's Cabinets and Parts should be free of substantial defects in materials and workmanship for a period of 5 years following the acquisition date for Residential Customers and a period of 1 year following the acquisition date for Commercial Customers. The warranty period begins on the Purchase Date.

This Limited Warranty applies to Domestic use only and covers defects in materials and workmanship. Labor and shipping are not included. Indoor Use Only. All warranty actions are through the original Dealer where purchased. If that dealer is no longer in business with GoldenHome, another dealer will be assigned. In the event of an issue, GoldenHome will examine the product and at its sole discretion will determine if the warranty applies. If the product is no longer available, GoldenHome will substitute a similar product. Color match is not guaranteed as all cabinets will change over time.

Please follow all Assembly, Installation, and Care Instructions. This warranty does not cover normal wear and tear, water damage, outdoor use, or damage from misuse or abuse. The original Proof of Purchase receipt is required. Please contact original dealer or our Website, www.goldenhomekitchen.com for more information.

