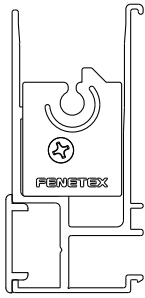
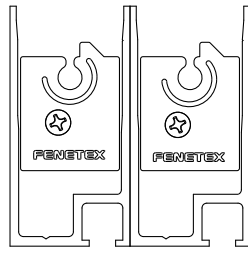


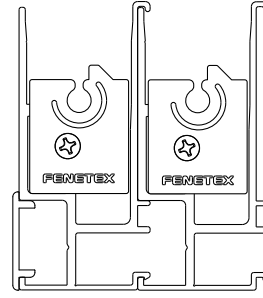
Track Type 1
Adj. Jamb Track
WH,BG,MB



Track Type 2
Adj. Face Track
WH,BG,MB



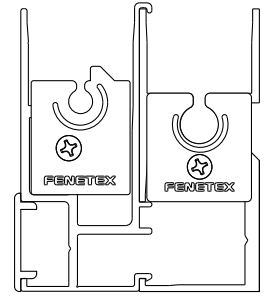
Track Type 3
DUAL Adj. Jamb Track
WH,BG,MB



Track Type 4
DUAL Adj. Face Track
WH,BG,MB



Track Type 5
Hurricane Track
WH,MB



Track Type 6
DUAL Hurricane
+ Adj. Face Track
WH,MB

WH=White, BG= Beige, MB=Bronze

5.5 HOOD extruded

Clear Opening is Overall Height -7.75"

Standard Colors: White, Beige, Bronze, Black

Operator: Manual Crank, Somfy 4 wire,
Somfy RTS, w/special order Somfy CMO

Max System Dimensions

Fabric	Insect	Shade	Hurricane	Vinyl Window
Max Width	216"	200"	192"	170"
Max Height	150"	150"	114"	150"

Note: Screens outside max system dimensions require a waiver.

6.5 SINGLE HOOD/BRACKET roll form

Clear Opening is Overall Height -8.75"

Standard Colors: White, Beige, Bronze

Operator: Manual Crank, Somfy 4 wire,
Somfy RTS, w/special order Somfy CMO

Max System Dimensions

Fabric	Insect	Shade	Hurricane	Vinyl Window
Max Width	216"	200"	192"	170"
Max Height	180"	180"	150"	180"

Note: Screens outside max system dimensions require a waiver.

Note 1: Bracket with painted end plate is used for applications with hoods only.

Note 2: For cavity mount installations only the bracket is used.

Note 3: If a screen is to be taller than above listed heights a custom cover or soffit housing will need to be supplied or fabricated by others as is typical for a built-in installation. Bracket may also need to be built out to accommodate increased roll diameter.

6.5 DUAL HOOD/BRACKET roll form

Clear Opening is Overall Height -14.25"

Standard Colors: White, Beige, Bronze

Operator: Manual Crank, Somfy 4 wire,
Somfy RTS, w/special order Somfy CMO

Max System Dimensions

Fabric	Insect	Shade	Hurricane	Vinyl Window
Max Width	216"	200"	192"	170"
Max Height	180"	180"	150"	180"

Note: Screens outside max system dimensions require a waiver.

Note 1: Bracket with painted end plate is used for applications with hoods only.

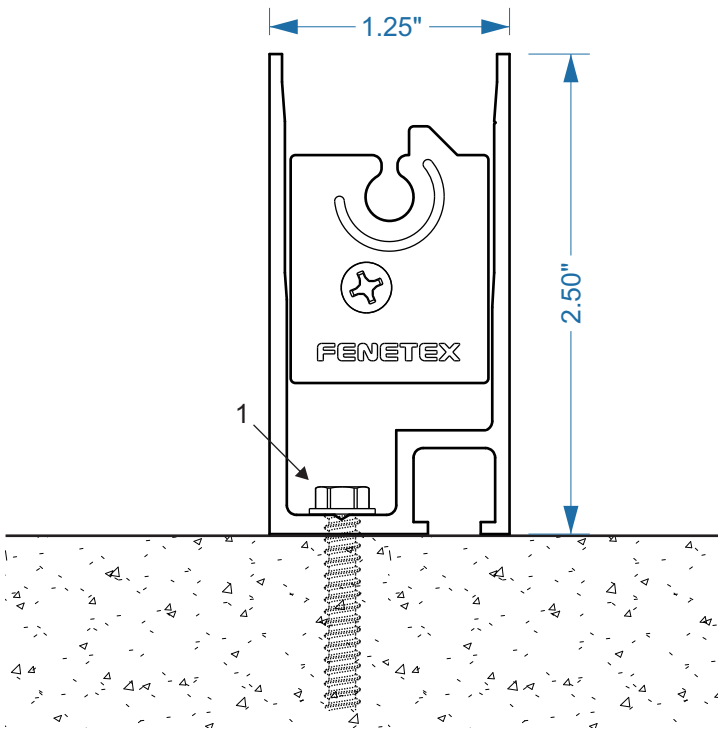
Note 2: For cavity mount installations only the bracket is used.

Note 3: If a screen is to be taller than above listed heights a custom cover or soffit housing will need to be supplied or fabricated by others as is typical for a built-in installation. Bracket may also need to be built out to accommodate increased roll diameters.

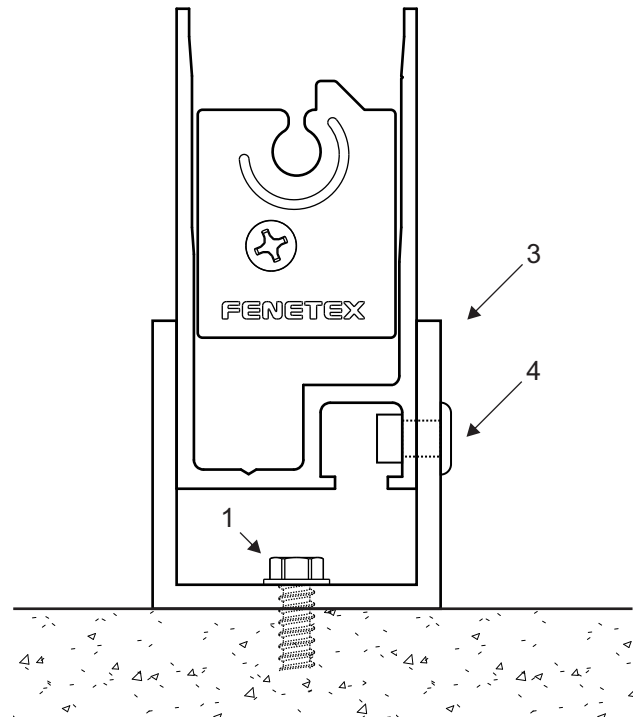
Adjustable Tracks

Use for Insect/Shade/Clear Weather Curtains

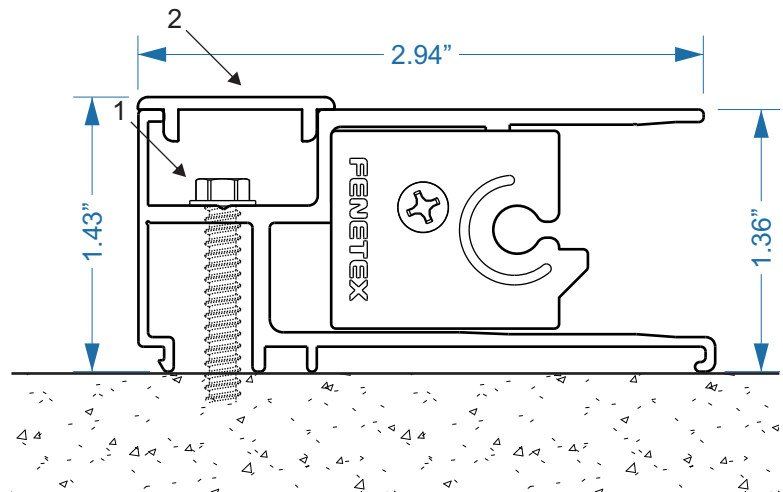
Track Type 1: Adj. Jamb Track Track Type 2: Adj. Face Track



Track Type 1: Adj. Jamb Track
Shown as Inside/Jamb Mount
Top View



Track Type 1: Adj. Jamb Track
Shown w/C channel as Inside/Jamb Mount
Top View



Track Type 2: Adj. Face Track
Shown as Outside/Face Mount
Top View

Notes:

1) 1/4" Tapcon or #10 s/s Hex Head Length for 2" Embedment to Substrate.
24" Spacing Standard. Installer may increase anchors if location is subject to high winds.

2) Fastener Cover

3) C-channel is 1.5"x1.5"x.125" use if needed to resolve out of plumb surfaces on jamb mount installations.

4) 3/16" Rivet

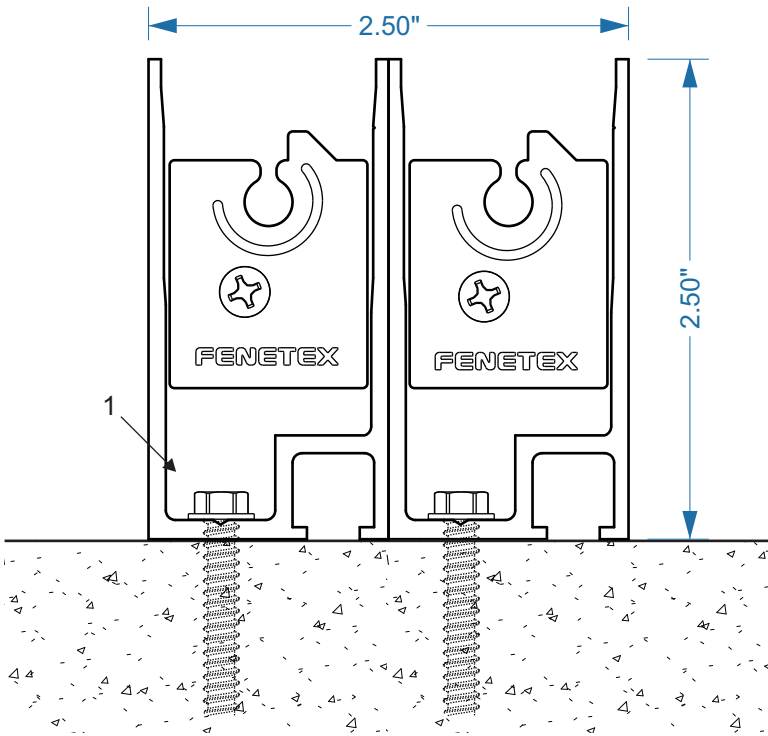


DUAL Screen Adjustable Tracks

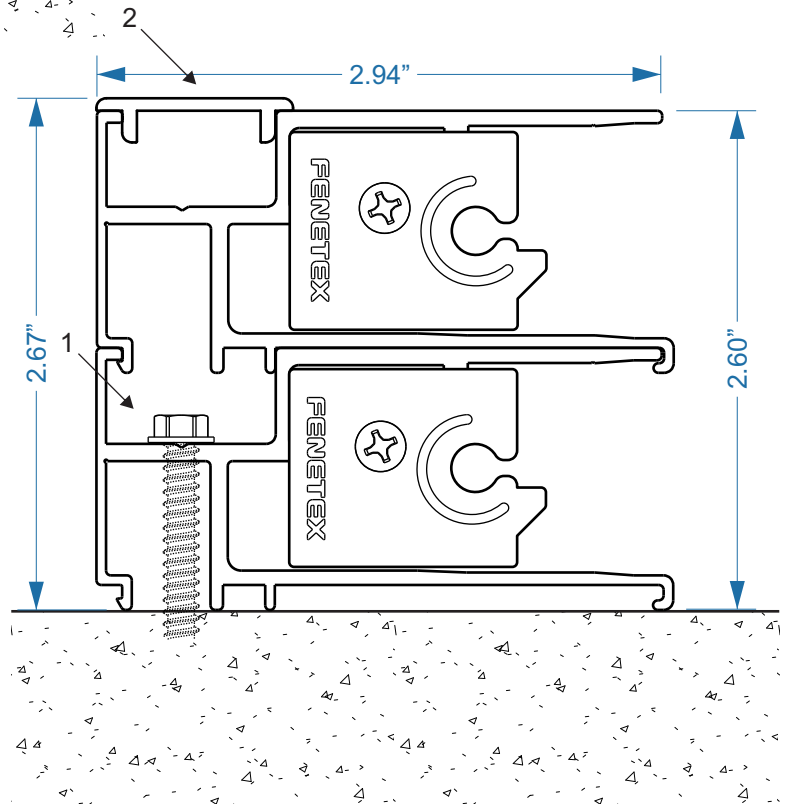
Use for Insect/Shade/Clear Weather Curtains

Track Type 3: DUAL Adj. Jamb Track

Track Type 4: DUAL Adj. Face Track



Track Type 3: DUAL Adj. Jamb Track
Shown as Inside/Jamb Mount
Top View



Track Type 4: DUAL Adj. Face Track
Shown as Outside/Face Mount
Top View

Notes:

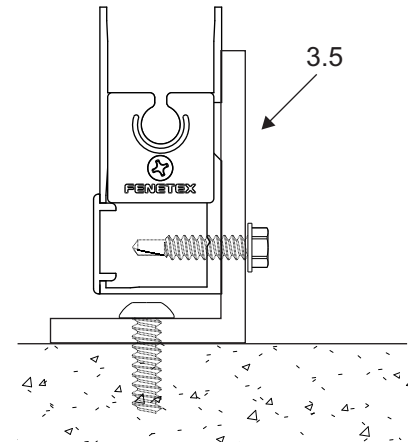
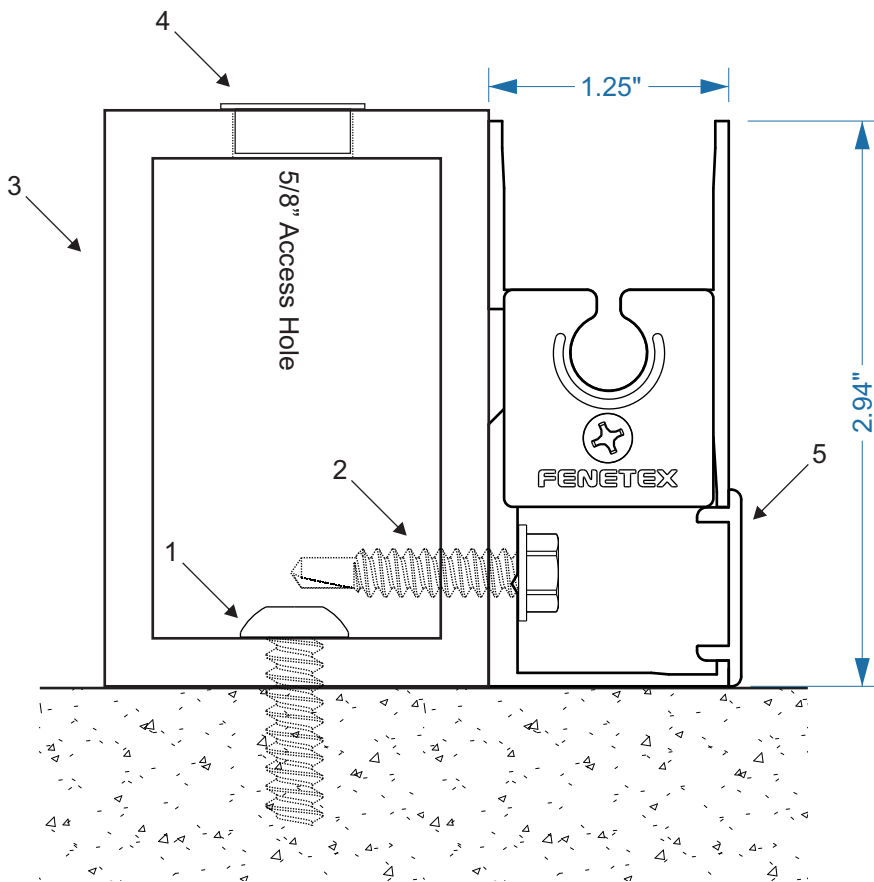
1) 1/4" Tapcon or #10 s/s Hex Head
Length for 1.5" Embedment to
Substrate.
24" Spacing Standard Installer may
increase anchors if location is
subject to high winds.

2) Fastener Cover

Hurricane Track

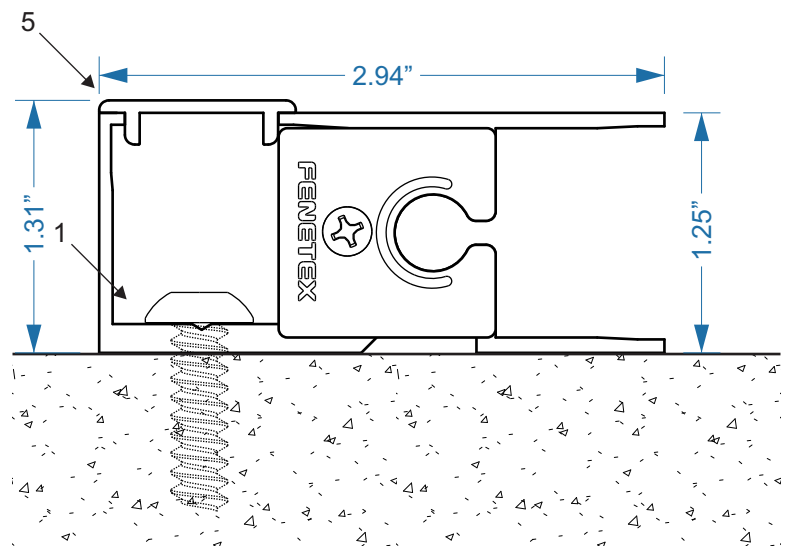
Use for Hurricane Screens

Track Type 5: Hurricane Track



#s 3/3.5 Build-outs can be angle or tube, see notes below.

Track Type 5: Hurricane Track
Shown as Inside/Jamb Mount w/Build-out
Top View



Track Type 5: Hurricane Track
Shown as Outside/Face Mount
Top View

Notes:

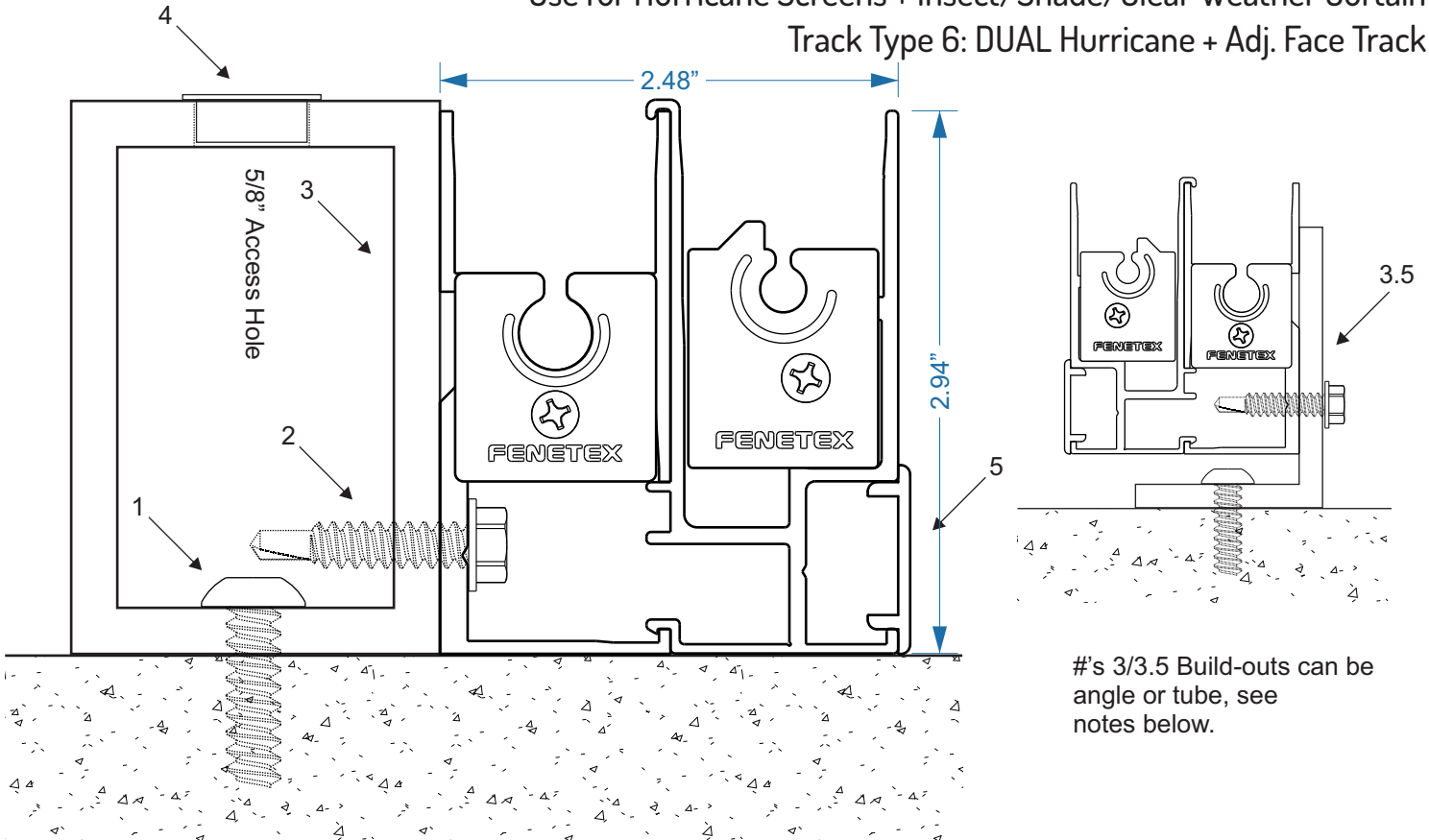
- 1) 5/16" Tapcon XL
- 2) 1/4x1" s/s Self Drilling
- 3) 2"x3"x.25" AL Tube
- 3.5) 2"x2" or 2"x3"x.25" AL Angle
Alternate build-out options are available. See Florida Product Approval or Miami-Dade NOA for full details.
- See: FL 8637
- See: NOA 13-1007.08
- 4) 5/8" Plastic Hole Cap
- 5) Fastener Cover



DUAL Hurricane Track + Adj. Face Track

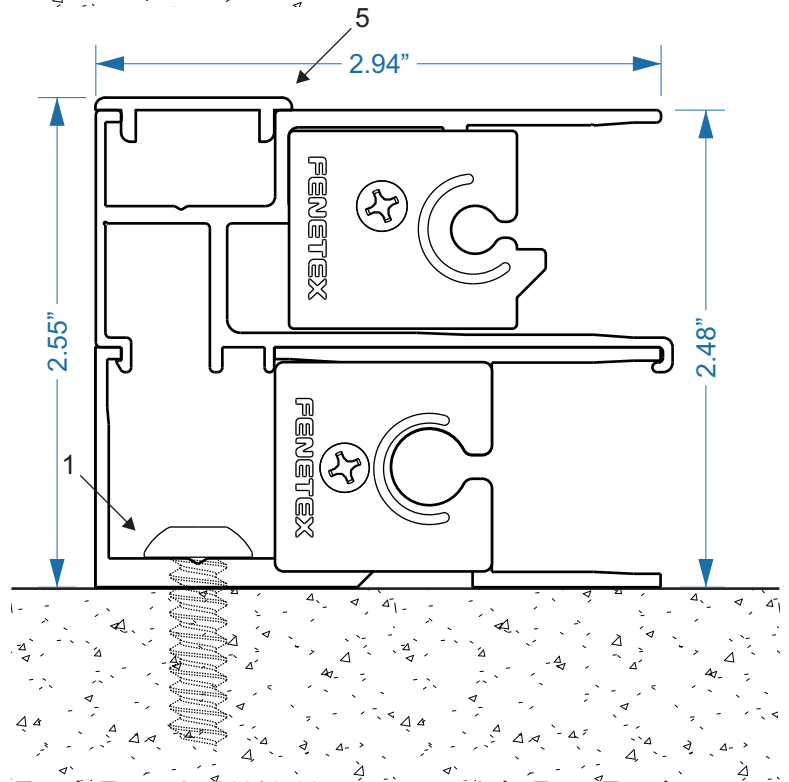
Use for Hurricane Screens + Insect/Shade/Clear Weather Curtain

Track Type 6: DUAL Hurricane + Adj. Face Track



#s 3/3.5 Build-outs can be angle or tube, see notes below.

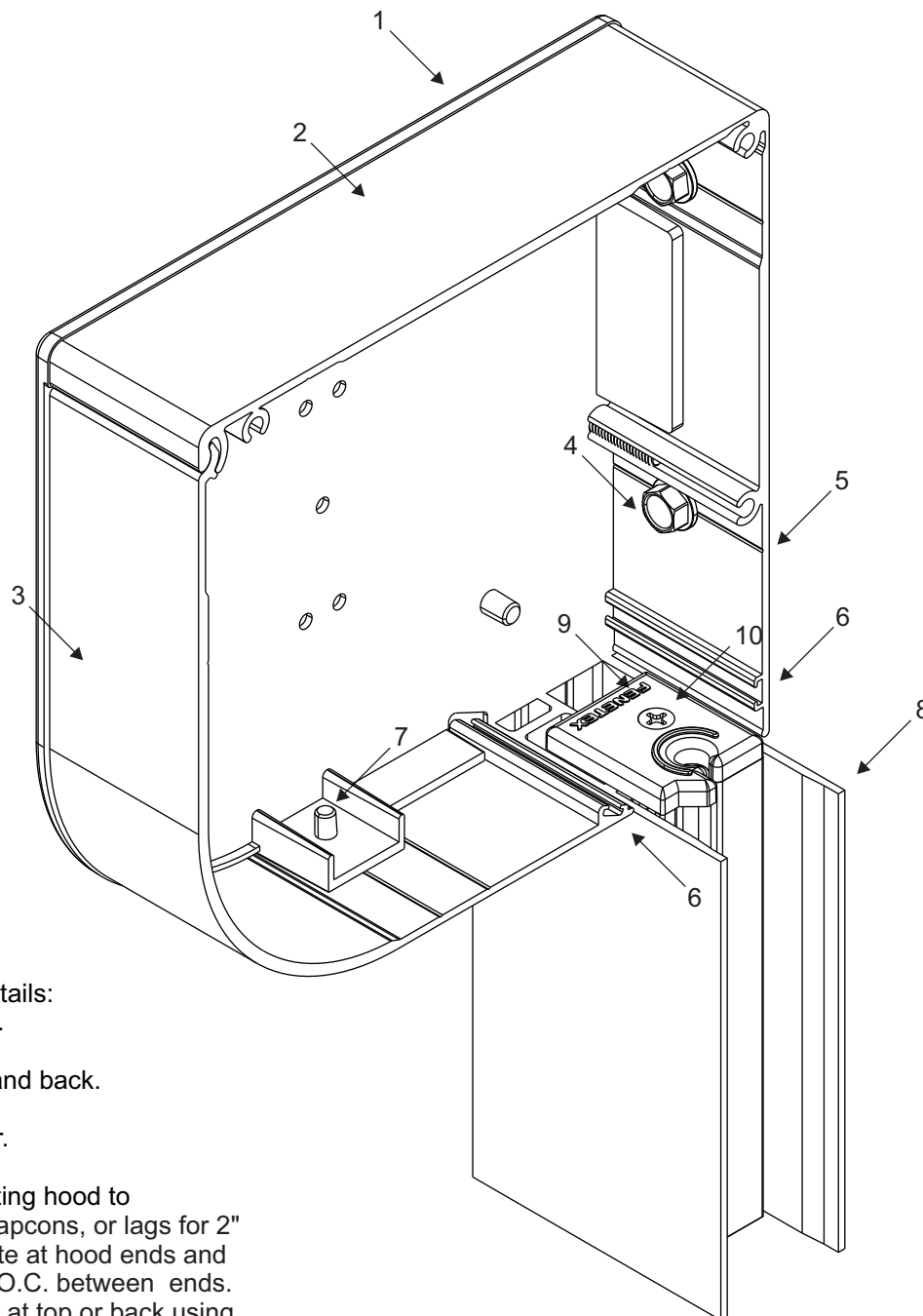
Track Type 6: DUAL Hurricane + Adj. Face Track
Shown as Inside/Jamb Mount w/ Build-out
Top View



Track Type 6: DUAL Hurricane + Adj. Face Track
Shown as Outside/Face Mount
Top View

Notes:

- 1) 5/16" Tapcon XL
- 2) 1/4x1" s/s Self Drilling
- 3) 2"x3"x.25" AL Tube
- 3.5) 2"x2" or 2"x3"x.25" AL Angle
Alternate build-out options are available. See Florida Product Approval or Miami-Dade NOA for full details.
- See: FL 8637
- See: NOA 13-1007.08
- 4) 5/8" Plastic Hole Cap
- 5) Fastener Cover



Hood and End Cap Details:

- 1) Aluminum end plate.
- 2) Extruded hood top and back.
- 3) Extruded front cover.
- 4) Fasteners for mounting hood to building. Min (2) 1/4" Tapcons, or lags for 2" embedment to substrate at hood ends and single fastener on 24" O.C. between ends. Hood may be fastened at top or back using the indicator lines as a guide.
- 5) Indicator line for mounting fasteners.
- 6) Brush channel.
- 7) Flange for 3/16" hood locking rivet.

Screen Track Details:

- 8) Type 1 track (shown).
- 9) Screen pre-feeder.
- 10) #6x.5 s/s phil flat screw.

Design and Installation Note:

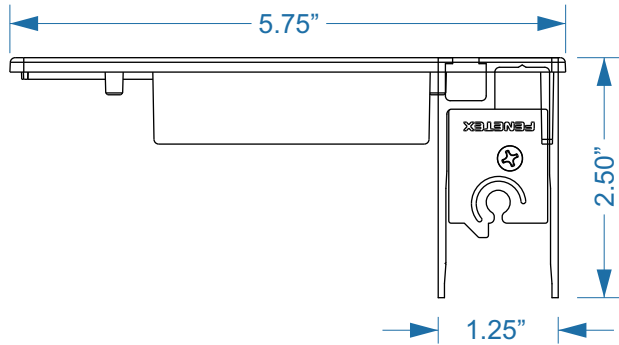
Fenetex extruded hoods are designed to mount independently from the tracks. Tracks are cut to length from floor to underside of hood. Refer to the CLEAR OPENING dimension on Bracket Detail Page for considerations where screen elements are meant to be hidden, or out of the view plane when using a hood.



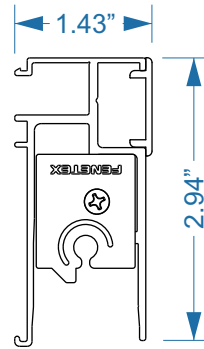
About Extruded Hoods

Use for Single Screens with Extruded Hoods

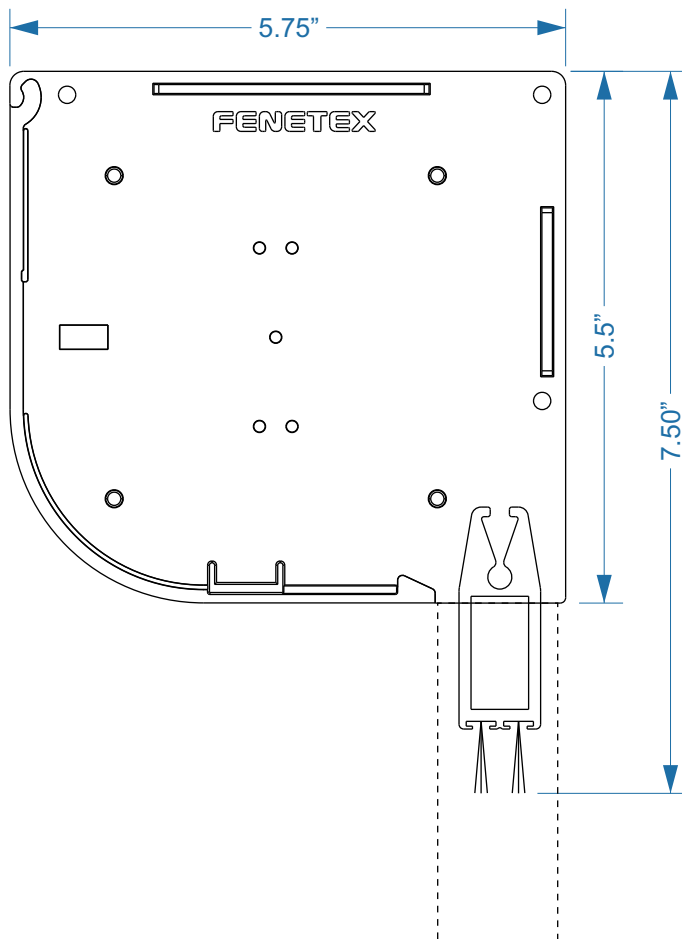
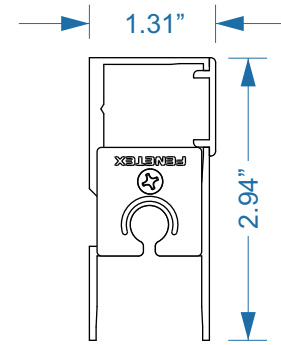
w/Type 1 Track



w/Type 2 Track



w/ Type 5 Track



Max Screen Heights:
Insect/Shade/Clear Weather
Combinations Using Type 1 or 2 Tracks 150"

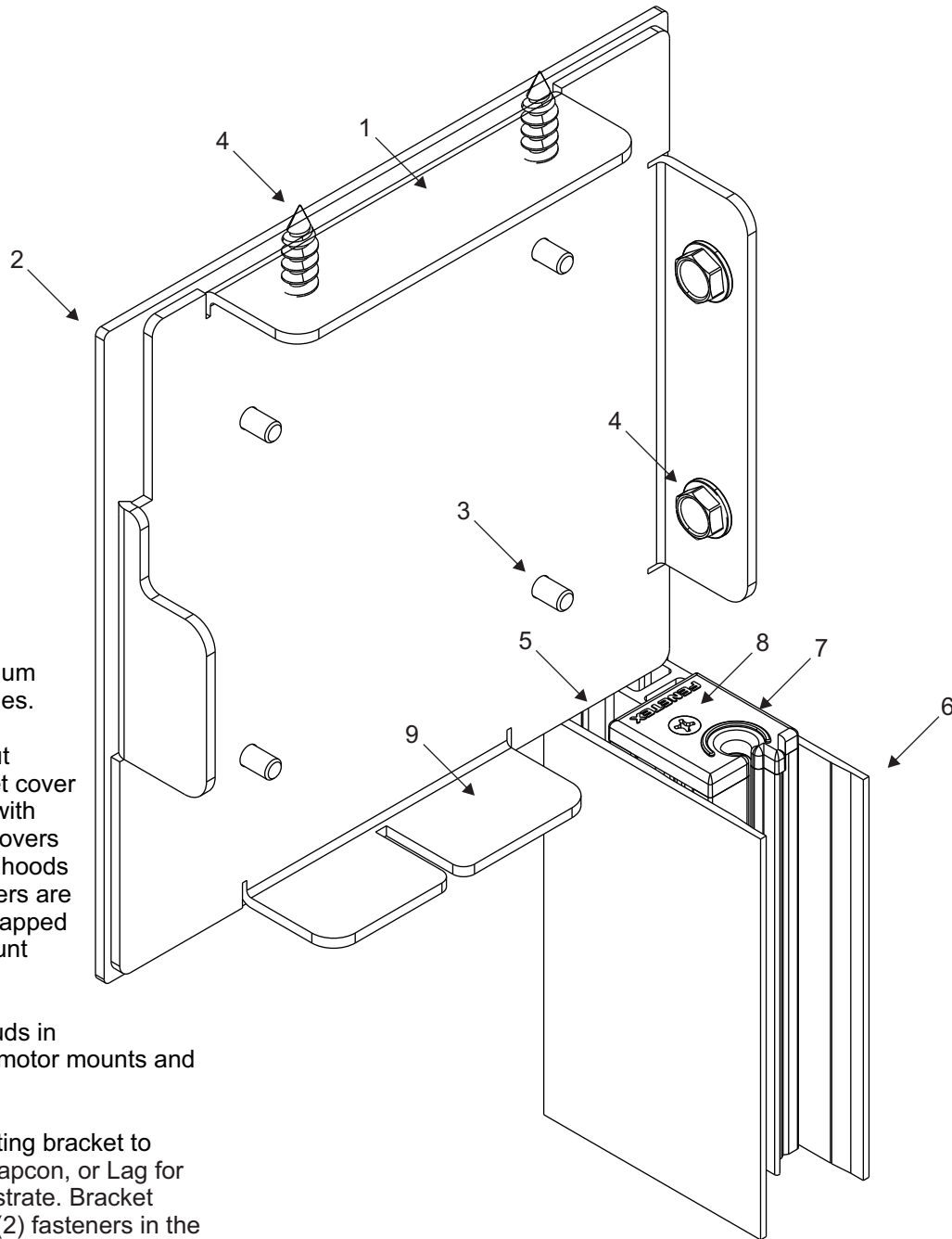
Type 5 Hurricane Track. 114"

Clear Opening is Overall Height -7.75"

Note 1: You may order an extruded hood to use with built in installations if size allows. Typically this is only used if the soffit area is very rough or space is very tight and the goal is to prevent the screen from chaffing in the soffit.

About 6.5 Square Brackets

Use for Single Screens With or Without Roll Form Hoods



Bracket Details:

1) Is a laser cut aluminum plate with formed flanges.

2) Is a painted laser cut aluminum plate bracket cover that is attached to (1) with 3/16" rivets. Painted covers are typically used with hoods on outside mount, covers are not typically used on trapped openings or cavity mount installations.

3) #10-24 s/s PEM studs in a standard pattern for motor mounts and idler bearings.

4) Fasteners for mounting bracket to building. Min (4) 1/4" Tapcon, or Lag for 2" Embedment to Substrate. Bracket should be secured by (2) fasteners in the top Flange and (2) fasteners in the back flange.

Screen Track Details:

5) Track should be cut and installed flush to the bottom of the bracket.

6) Screen track assembly.

7) Screen pre-feeder.

8) #6x.5" s/s phil flat screw.

9) Cut-away tab for manual crank.

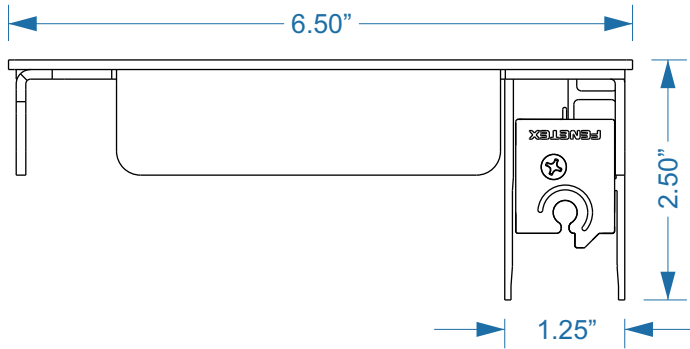
Design and Installation Note:

Fenetex hoods are designed to mount independently from the tracks. Tracks are cut to length from floor to underside of hood. Refer to the CLEAR OPENING dimension on Bracket Detail Page for considerations where screen elements are meant to be hidden, or out of the view plane when using a hood.

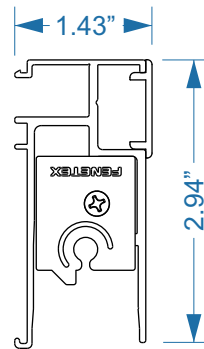
About 6.5 Square Brackets

Use for Single Screens With or Without Roll Form Hoods

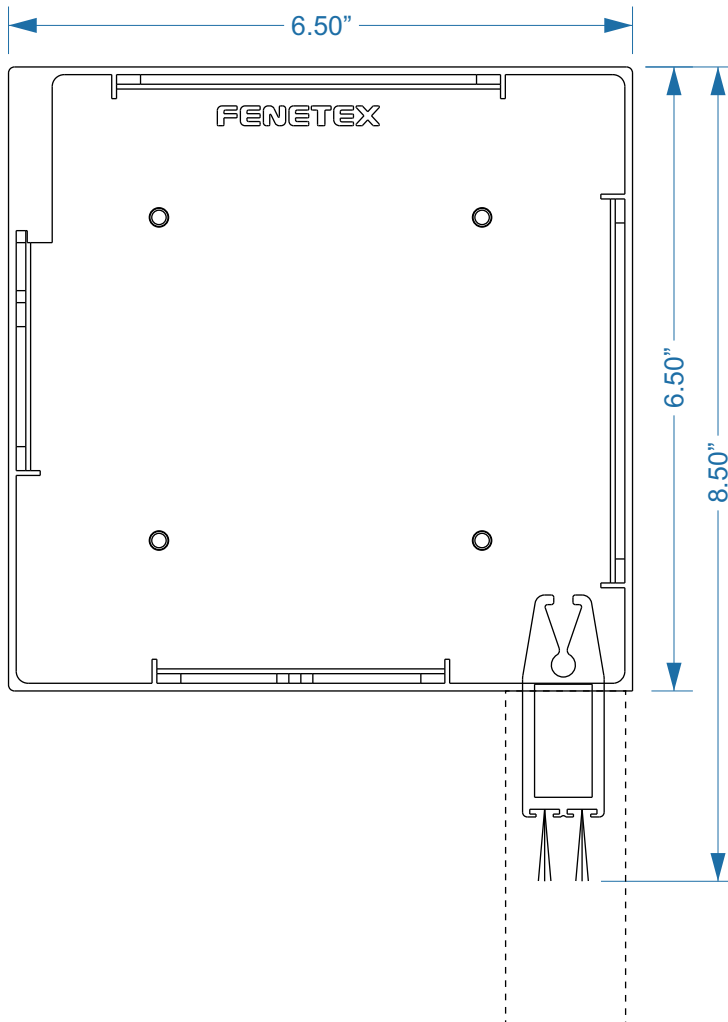
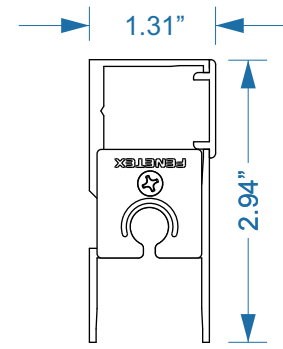
w/Type 1 Track



w/Type 2 Track



w/ Type 5 Track



Max Screen Heights:
Insect/Shade/Clear Weather
Combinations Using Type 1 or 2 Tracks 180"

Type 5 Hurricane Track 150"

Clear Opening is Overall Height -8.75"

Note 1: Bracket with painted end plate is used for applications with hoods only.

Note 2: For cavity mount installations only the bracket is used.

Note 3: If a screen is to be taller than above listed heights a custom cover or soffit housing will need to be supplied or fabricated by others as is typical for a built-in installation. Bracket may also need to be built out to accommodate increased roll diameter.

Shown is a Track Type 6: DUAL Hurricane + Adj. Face Track
 Alternate Configurations are Type 3 and Type 4 (see page 2)

Design and Installation Note:
 Fenetex hoods are designed to mount independently from the tracks. Tracks are cut to length from floor to underside of hood. Refer to the CLEAR OPENING dimension on Bracket Detail Page for considerations where screen elements are meant to be hidden, or out of the view plane when using a hood.

Bracket Details:

1) Is a laser cut aluminum plate with formed flanges.

2) Is a painted laser cut aluminum plate bracket cover that is attached to (1) with 3/16" rivets. Painted covers are typically used with hoods on outside mount, covers are not typically used on trapped openings or cavity mount installations.

3) #10-24 s/s PEM studs in a standard pattern for motor mounts and idler bearings.

4) Fasteners for mounting bracket to building. Min (6) 1/4" Tapcon, or Lag for 2" Embedment to Substrate. Bracket should be secured by (2) fasteners in the top Flange and (2) fasteners in each back flange.

Screen Track Details:

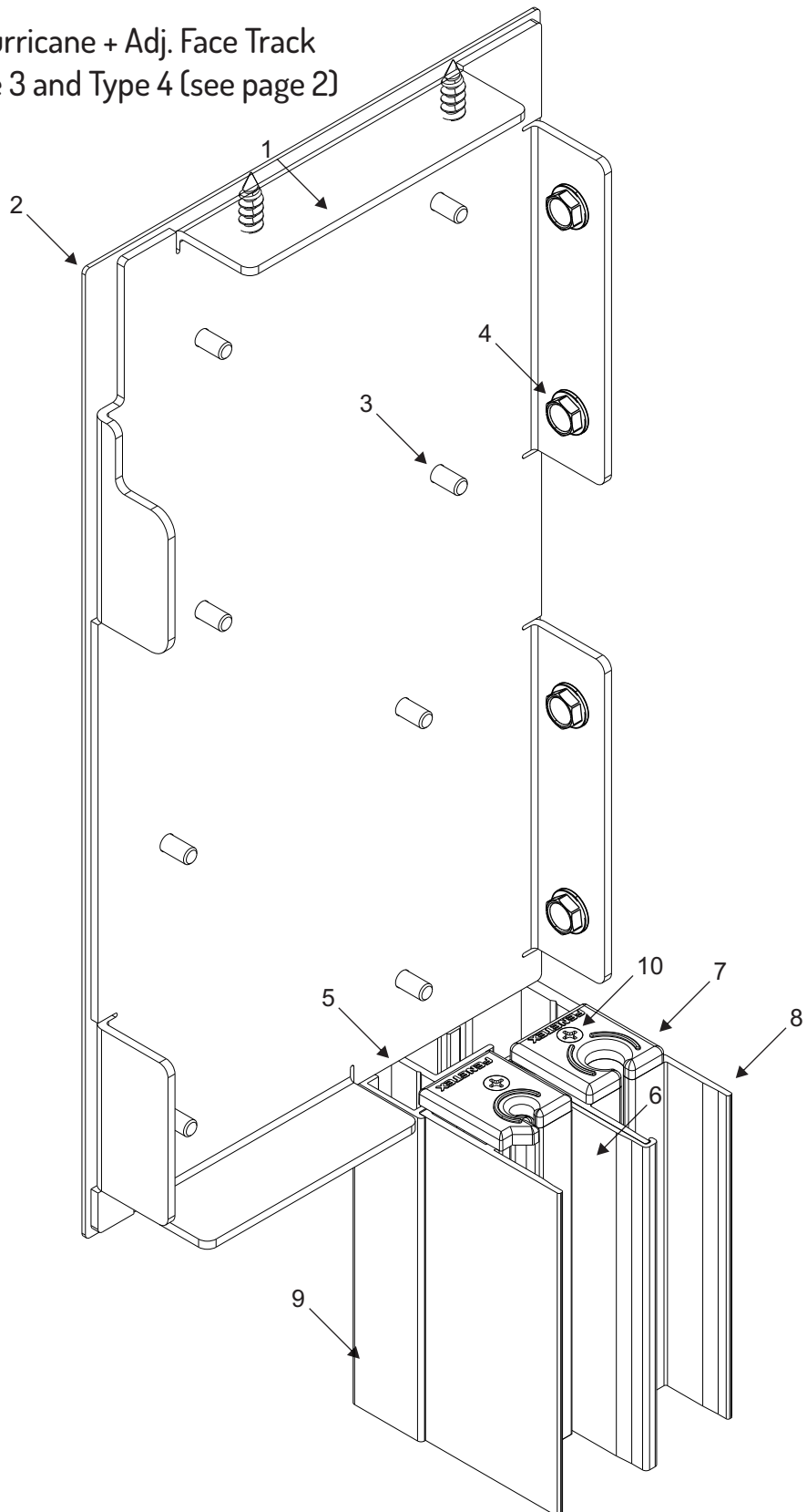
5) Track should be cut and installed to the bottom of the bracket.

6) Type 2 track (shown).

7) Screen pre-feeder.

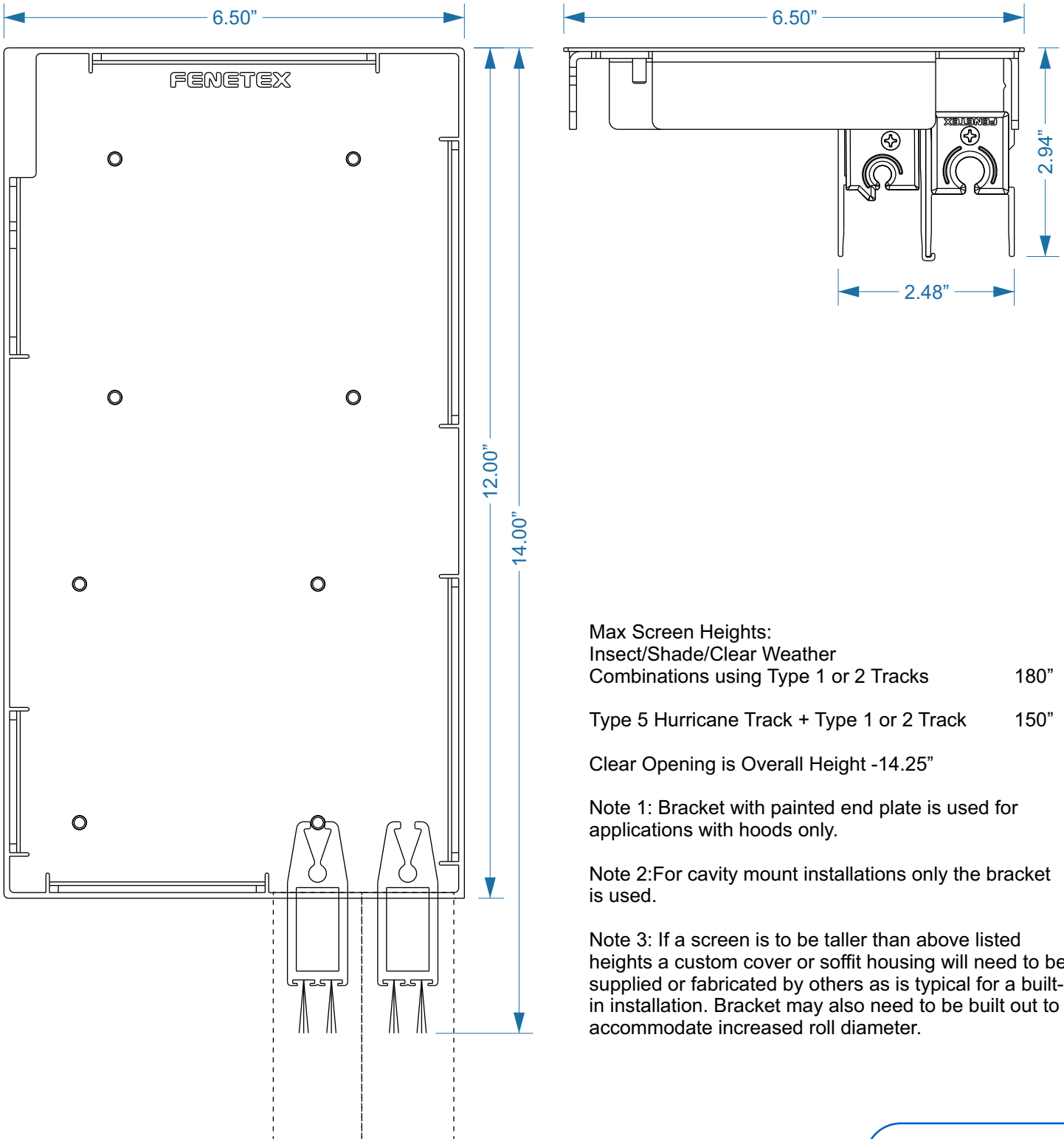
8) Type 5 track (shown).

9) Track Cover





Shown is a Track Type 6: DUAL Hurricane + Adj. Face Track
Alternate Configurations are Type 3 and Type 4 (see page 2)



Max Screen Heights:
Insect/Shade/Clear Weather
Combinations using Type 1 or 2 Tracks 180"

Type 5 Hurricane Track + Type 1 or 2 Track 150"

Clear Opening is Overall Height -14.25"

Note 1: Bracket with painted end plate is used for applications with hoods only.

Note 2: For cavity mount installations only the bracket is used.

Note 3: If a screen is to be taller than above listed heights a custom cover or soffit housing will need to be supplied or fabricated by others as is typical for a built-in installation. Bracket may also need to be built out to accommodate increased roll diameter.