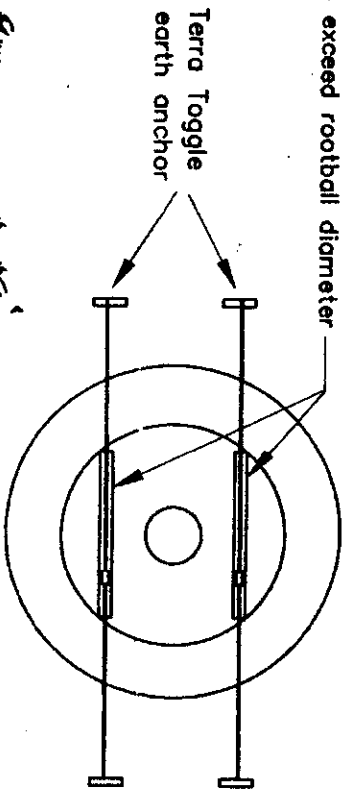


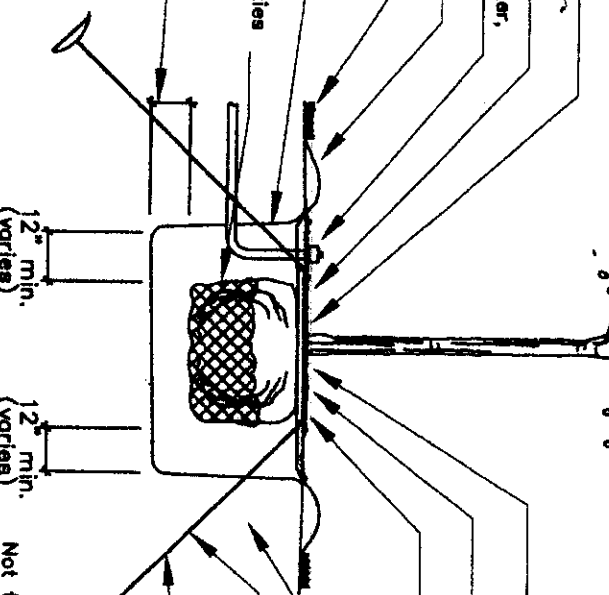
NOTE:
 Terra Toggle Rootball
 tree staking system by:
 Tree Stake Solutions
 407-913-7077

2" x 4" supports not
 to exceed rootball diameter



PLAN VIEW

- 3" mulch.
- Set tree 2"-3" above original planting grade.
- If tree has individual sprinkler or emitter, head shall be inside soil berm.
- 6" berm to hold water.
- Finish grade.
- Prepare planting soil as specified
- Turn down top 1/3 of burp.
- If tree is B&B; remove all straps and ties
- 12" compacted planting soil below rootball.



- High tenacity 2400 lb. 3/4" woven polyester strapping
- 3/4" Wire cinch buckle (Buckle tensioned with mechanical tensioner)
- 2 x 4 wooden supports placed over rootball on each side of trunk. (length not to exceed rootball diameter)
- 2 x 4 supports to be placed 1 to 3 inches from trunk. (place 2 x 4 closer to trunk as rootball becomes smaller)
- Undisturbed soil
- Hole is bored into soil at the end of the 2 x 4 supports such that the polyester strap maintains a straight line from the end of the 2 x 4 support directly to the anchor.
- Anchor installed at 3 to 5 foot depth into undisturbed soil with strap at 45 degree angles away from tree.
- Terra Toggle earth anchor x 4 (500 lb. rated black anchor)

Not to scale

TREE INSTALLATION DETAIL WITH 4 POINT ROOTBALL ANCHOR SYSTEM

To be used on 3 to 4 inch caliper trees with Container grown trees at 45 to 100 gallons and B & B trees up to 40" Rootball diameter

NOTICE

Contractor must check strap tension 2-4 weeks after installation. Strapping should be retightened if loose. Contractor must periodically check strap tension for twelve months following installation. Rootball system provides protection from high wind events. Provided proper strap tension is maintained. Rootball system should not be removed. It deteriorates over time and is concealed from view by mulch.