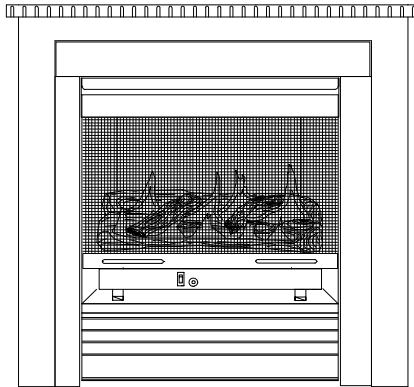


**MODEL 32**  
**MAY BE INSTALLED IN A SOLID FUEL BURNING FIREPLACE, AS A  
FREESTANDING FIREPLACE OR WITH AN  
OPTIONAL WOODEN SURROUND**



**VENT-FREE**

**WARNING:** If the information in this manual is not followed exactly, a fire or explosion may result causing property damage, personal injury or loss of life.

- Do not store or use gasoline or other flammable vapors and liquids in the vicinity of this or any other appliance.

**WHAT TO DO IF YOU SMELL GAS**

- Do not try to light any appliance.
- Do not touch any electrical switch; do not use any phone in your building.
- Immediately call your gas supplier from a neighbor's phone. Follow the gas supplier's instructions.
- If you cannot reach your gas supplier, call the fire department.
- Installation and service must be performed by a qualified installer, service agency or the gas supplier.

This is an unvented gas-fired heater. It uses air (oxygen) from the room in which it is installed. Provisions for adequate combustion and ventilation air must be provided. Refer to section "Producing Adequate Air For Combustion And Ventilation" page 12.

This appliance may be installed in an aftermarket, permanently located, manufactured (mobile) home, where not prohibited by local codes.

This appliance is only for use with the type of gas indicated on the rating plate. This appliance is not convertible for use with other gases.

**WARNING:** This appliance is equipped for (natural or propane) gas. Field conversion is not permitted.

**INSTALLER:** Leave this manual with the appliance.

**CONSUMER:** Retain this manual for future reference.

**MANUFACTURED BY**  
**NEW BUCK CORPORATION**  
**200 ETHAN ALLEN DRIVE, PO BOX 69**  
**SPRUCE PINE, N.C. 28777**  
www.buckstove.com

**This appliance is intended for supplemental heating.**



## **TABLE OF CONTENTS**

Safety Information and Warnings .....	3
Solid Fuel Burning Fireplace Installation (FP) .....	6
Freestanding Installation Without or With Optional Pedestal (FS) .....	8
Wooden Surround Installation (WS) .....	10
Mobile Home Installation .....	11
Producing Adequate Ventilation.....	12
Air For Combustion And Ventilation Inside building .....	14
Air For Combustion And Ventilation Outdoors .....	15
Placement of Logs.....	16
Gas Connection.....	17
Gas Pressure Check.....	18
Lighting Instructions - (ITT) Millivolt Valve.....	19
Lighting Instructions - (SIT) Modulating or – (SIT) Manual .....	23
Flame Check .....	27
Wiring Diagram .....	28
Important Safeguards .....	29
Trouble Shooting .....	30
Service/Replacement Parts.....	34
Warranty/Owner Registration.....	Back Cover



## SECTION I

### SAFETY INFORMATION WARNINGS

**IMPORTANT: READ THIS OWNER'S MANUAL CAREFULLY AND COMPLETELY BEFORE TRYING TO ASSEMBLE, OPERATE, OR SERVICE APPLIANCE. IMPROPER USE OF THESE LOGS CAN CAUSE SERIOUS INJURY OR DEATH FROM BURNS, FIRE, EXPLOSION AND CARBON MONOXIDE POISONING.**

Early signs of carbon monoxide poisoning resemble flu, with headaches, dizziness and/or nausea. If you have these signs, heater may not be working properly. Get fresh air at once! Have heater serviced.

Some people-pregnant women, persons with heart or lung disease, anemia, those under influence of alcohol and those at high altitudes-are more affected by carbon monoxide than others.

**CAUTION: Strong drafts, such as a ceiling fan placed directly in front of heater (pulling from either direction) may create sooting. Sooting will discolor walls.**

1. The installation must conform with local codes or in absence of local codes, with *National Fuel Gas Code, ANSI Z223.1/NFPA54.*
2. **This appliance may be installed in an After-Market\* Manufactured (Mobile) Home, where not prohibited by state or local codes.**

\* (After-Market: Completion of sale, not for purpose of resale from manufacturer.)

**This appliance is only for use with type of gas indicated on rating plate.  
This appliance is not convertible for use with other gases.**

**NOTE:** "Producing Adequate Air For Combustion And Ventilation" page 12.

**IMPORTANT: VENT-FREE HEATERS ADD MOISTURE TO AIR. ALTHOUGH THIS IS BENEFICIAL, INSTALLING HEATER IN ROOMS WITHOUT ADEQUATE VENTILATION MAY CAUSE MILDEW TO FORM FROM TOO MUCH MOISTURE.**

3. Never install this heater:
  - ◆ in a recreational vehicle, bathroom, bedroom or any other sleeping quarters
  - ◆ where curtains, furniture, clothin or other flammable objects are less than 42" from front of heater
  - ◆ in high traffic areas or in windy areas
4. Two models are available. One specific model for propane (LP), and one for natural gas. Use correct type gas for your home. Do not convert from one gas type to another.

**NOTE:** This appliance complies with ANSI Z21.11.2b-2010 Unvented Room Heater.

**"WARNING: ANY CHANGE TO THIS HEATER OR ITS CONTROLS CAN BE DANGEROUS."**

5. If this heater is used with propane gas, do not place propane supply tank (s) inside any structure.
6. **What To Do IF You Smell Gas:**  
Shut off gas supply.
  - Do not try to light any appliance.
  - Do not touch any electrical switch; do not use any phone in your building.
  - Immediately call your gas supplier from a neighbor's phone.  
Follow gas supplier's instructions.
  - If you cannot reach your gas supplier, call fire department.
7. When operated for first time, logs may emit a "paper burning" smell. This smell will gradually diminish and will be totally eliminated after first few hours of operation. Do not use blower at this time.
8. **"This heater shall not be installed in unusually tight construction unless provisions are provided for adequate combustion and ventilation air."** See *"Producing Adequate Air For Combustion And Ventilation"*, page 12.
9. Surface of gas logs becomes very hot when operating. Keep children and adults away from hot surface. Gas logs will remain hot for sometime after shutdown. Allow surface to cool before touching.
10. **Do not place clothing or other flammable material on or near appliance.**
11. If equipped, fresh air damper must be closed.
12. **Keep appliance area clean and free from combustible materials, gasoline and other flammable flammable vapors and liquids.**
13. If burner shuts off, do not relight until you provide fresh outside air. If burner continues to shut off, have unit serviced.
14. **Do not use this heater if any part has been under water. Immediately call qualified service technician to inspect room heater and to replace any part of control system and any gas control which has been under water.**
15. Turn off heater and let cool before servicing.
16. These logs are made of bonded fiber. When removing logs and base, do not damage bonded material. If material is damaged extensively, loose fiber dust could be emitted into the air.
17. **Any safety screen or guard removed for servicing an appliance must be replaced prior to operating heater.**
18. **This appliance is intended for supplemental heating only.**
19. **"WARNING: Any change to this heater or its controls can be dangerous."**
20. **Installation and repairs should be performed by a qualified service person. The appliance should be inspected before use and at least annually by a professional service person. More frequent cleaning may be required due to excessive lint from carpeting, bedding material, etc. It is imperative that control compartments, burners and circulating air passageways of appliance be kept clean.**

21. All heater screens must be kept clean when operating gas logs.
22. **.”WARNING: Failure to keep primary air opening (s) of burner (s) clean may result in soot and property damage.”**
23. Do not use this heater for burning trash or cooking. Never place matches, paper, garbage or any other material on top of logs or into flames.
24. **Do not install or operate this heater in areas where impurities in air exist (such as tobacco smoke or heavy cooking grease). Particles from impurities may discolor walls.**
25. **Due to high temperatures, appliance should be located out of traffic and away from furniture and draperies.**
26. **Children and adults should be alerted to hazards of high surface temperature and should stay away to avoid burns or clothing ignition.**
27. **Young children should be carefully supervised when they are in the same room with appliance.**
28. **An unvented room heater having an input rating of more than 10,000 Btu per hour shall not be installed in a bedroom or bathroom.**
29. **The appliance and its appliance main gas valve must be disconnected from gas supply piping system during any pressure testing of that system at test pressure in excess of 1/2 psi (3.5 kPa).**
30. **The appliance must be isolated from the gas supply piping system by closing its equipment shut-off valve during any pressure testing of gas supply piping system at test pressures equal to or less than 1/2 psi (3.5 kPa).**
31. **.”WARNING: Do not allow fans to blow directly into fireplace. Avoid any drafts that alter burner flame patterns.”**
32. **.”WARNING: Do not use a blower insert, heat exchanger insert or other accessory not approved for use with this heater.”**
33. **Adequate clearances around air openings.** Nothing may be placed over any of air openings on this appliance or can any of air openings be modified in anyway.
34. **.”Trim panels or surrounds shall not seal ventilation openings in fireplace.”**
35. **.”A fireplace screen must be in place when appliance is operating and unless other provisions for combustion air are provided, screen shall have opening for introduction of combustion air.**

## MASONRY INSERT INSTALLATION/ SOLID FUEL BURNING FIREPLACE MODEL 32 (FP)

- The Model 32 (FP) may be installed in a masonry fireplace.  
Minimum fireplace dimensions: 25 1/2" high, 21-1/2" wide, 13" deep.

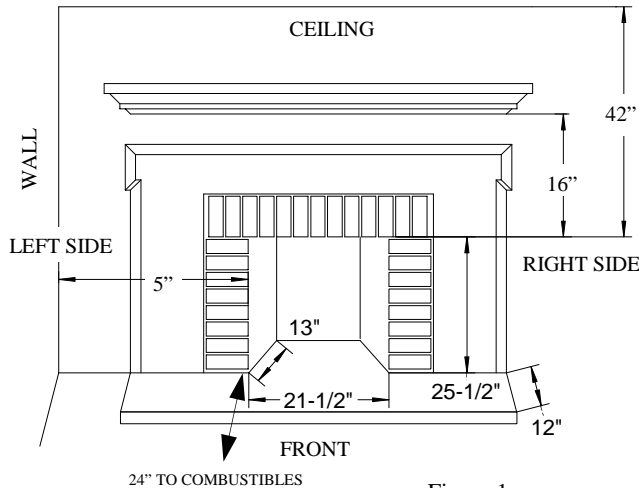


Figure 1

**“WARNING:** Before installing in a solid-fuel burning fireplace, chimney flue and firebox must be cleaned of soot, creosote, ashes and loose paint by a qualified chimney cleaner.”

**NOTE:** Any outside air ducts and / or ash dumps in the fireplace shall be permanently closed at time of appliance installation.

**“WARNING:** Any glass doors shall be fully opened when appliance is in operation.”

Your new Buck Vent-Free gas heater may be installed in a Residential or \*After-Market Mobile Home, where not prohibited by state or local codes.

\*After-Market: Completion of sale. Not for purpose of resale from manufacturer.

This appliance is for use with type of gas indicated on rating plate. Not convertible for use with other gases.

- Minimum dimensions sidewall and mantel:  
Sidewall-not less than 5" See Figure 1.  
Mantel-not less than 16" See Figure 1.
  - Center Model 32 in masonry fireplace. Position front of heater even with front of fireplace chamber if possible.
  - Place side trim panels flat against fireplace. Draw a vertical reference line along inside edge of trim panel.
  - Place top trim panel on top of unit. Draw reference line for mounting on lower edge of pane
- NOTE:** The installer of this appliance must mechanically (peel and stick) attach the marking supplied with this unvented appliance before installing to inside of firebox of solid-fuel burning fireplace or listed vent less firebox enclosure into which unvented fireplace insert is installed. See example of marking on page 18 of this manual.

**CAUTION:** Cutting any sheet-metal parts of solid-fuel burning fireplace or listed vent less enclosure in which unvented fireplace is to be installed is prohibited.

**NOTE:** “If factory-built fireplace has no gas access hole provided an access hole of 1.5 inch (37.5) diameter or less may be drilled through lower sides or bottom of firebox in a proper workmanlike manner. This access hole must be plugged with non-combustible insulation after gas supply line has been installed.”

“Refractory, glass doors, screen rails, screen mesh and solid-fuel log grates (if applicable) can be removed from the fireplace before installing the unvented fireplace insert.”

“Smoke shelves shields and baffles may be removed if attached by mechanical fasteners.”



6. Slide unit out and install trim panels with a drill or screw gun. (Self tapping screws provided).

**NOTE:** Make sure gas supply line is hooked up at this time and check for leaks at connection using soap and water.

**CAUTION: Do Not use an open flame to check for leaks.**

7. Place logs on the burner base as shown on page 16.

8. For gas hookup and pressure tap test, see instructions on pages 17 & 18.

**NOTE:** When operated for the first time, the logs and paint may emit a “paper burning smell”. This smell will gradually diminish after a few hours of operation. Run the heater with the flue damper, windows or doors, open during this time. **DO NOT** use blower at this time.

# FREESTANDING INSTALLATION MODEL 32 (FS)

1. Determine exact location of your gas heater.

**NOTE:** Due to high temperatures, this heater should be located out of traffic areas and away from furniture and draperies.

**NOTE:** For safe installation the minimum clearances must be met. See Figure 2. For floor protector, see last paragraph, page 8.

NOTE: Clearance from top of appliance to ceiling is 42". (Not shown in figure 2)

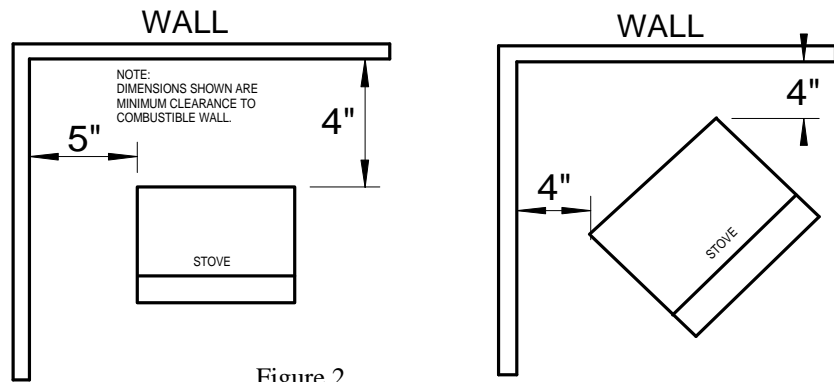


Figure 2

**CAUTION: THE INSTALLATION MUST CONFORM TO LOCAL CODES. IN ABSENCE OF LOCAL CODES, INSTALLATION MUST CONFORM WITH NATIONAL FUEL GAS CODE, ANSI Z223.1/NFPA54.**

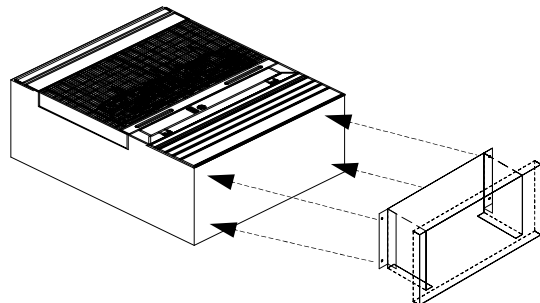
**NOTE:** See page 17 for “Gas Connection” and page 18 for “Pressure Check”.

2. Check gas type. Use only type of gas indicated on valve rating plate. If type of gas listed on plate is not your type of gas supply, **DO NOT INSTALL.** Contact your dealer for proper model. Position logs as shown on page 16. Position screen before leaving heater unattended.

**WARNING: YOUNG CHILDREN SHOULD BE CAREFULLY SUPERVISED WHEN THEY ARE IN SAME ROOM AS THE HEATER. DO NOT PLACE CLOTHING OR OTHER FLAMMABLE MATERIAL ON OR NEAR THE HEATER.**

**NOTE:** When appliance is installed directly on carpeting, tile or other combustible material, other than wood flooring, appliance shall be installed on a metal or wood panel extending full width and depth of appliance.

**Optional Pedestal (Part#FAP11) Instructions:** Lay heater on its back (use a drop-cloth to protect back of heater and surface of your flooring). Place pedestal against bottom of heater. Center pedestal from left to right and from front to rear. Mark holes on angle of the top of pedestal onto bottom of heater. Lay pedestal aside. Drill the marks made onto heater with a 1/8" bit (not provided). Replace pedestal and secure with screws provided. **Next** stand heater to upright position. Place heater in desired location following clearances above in figure 2. **Note:** At this point you may need to secure pedestal to floor with screws or an “ell” bracket (not provided) for safety concerns. **Next** hook up gas supply line following instructions in this manual completely.



## ALCOVE INSTALLATION

**CAUTION:** READ ENTIRE MANUAL BEFORE INSTALLING HEATER.

1. For clearances, see Figure 3. The minimum clearances must be met.
2. For “Installation and Gas Connection”, see page 17.

### FOR YOUR SAFETY:

#### WHAT TO DO IF YOU SMELL GAS

- Do not try to light appliance.
- Do not touch any electrical switch.
- Do not use telephone in building.
- Call your gas supplier immediately, from a neighbor’s phone. Follow gas supplier instructions.
- If you cannot reach your gas supplier, call Fire Department.
- Do not store or use gasoline or any other flammable vapors or liquids in the vicinity of this appliance or any other appliance.

**WARNING:** DO NOT USE THIS ROOM HEATER IF ANY PART HAS BEEN UNDER WATER. IMMEDIATELY CALL A QUALIFIED SERVICE TECHNICIAN TO INSPECT T ROOM HEATER AND TO REPLACE ANY PART OF CONTROL SYSTEM AND ANY GAS CONTROL WHICH HAS BEEN UNDER WATER.

**WARNING:** IMPROPER INSTALLATION, ADJUSTMENT, ALTERATION, SERVICE OR MAINTENANCE CAN CAUSE PROPERTY DAMAGE, PERSONAL INJURY OR LOSS OF LIFE. INSTALLATION AND SERVICE MUST BE PERFORMED BY A QULIFIED INSTALLER, SERVICE AGENCY OR GAS SUPPLIER.

**“WARNING:** ANY CHANGE TO THIS HEATER OR ITS CONTROLS CAN BE DANGEROUS.”

**NOTE:** The depth of alcove must allow a 4" minimum clearance at rear. The width of alcove must allow a 5" clearance on right side and left side. The height of alcove must allow for a 10" clearance form top of heater to ceiling of alcove. The front edge of heater must meet the front of alcove, and have a minimum of 24" to any combustibile material.

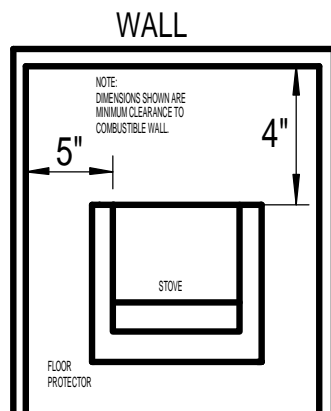
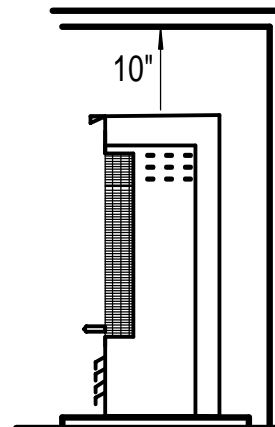


Figure 3

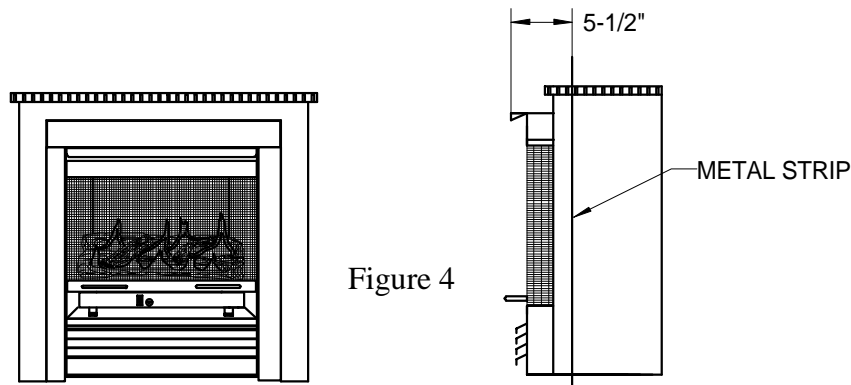


## INSTALLATION OF MODEL 32 (WS) WITH OPTIONAL WOODEN SURROUND (KIT#PA-KDM32)

- A. Determine desired location for your heater and wooden surround. See “Freestanding Installation” for minimum clearances.
- B. To install metal filler strips to surround (after completing step 2 of surround assembly), position wooden mantel over unit, centering it up in cabinet. Place metal filler strips to side of cabinet, allowing 1/4" air space between strips and side of cabinet. Make a light pencil mark on strip. Remove wooden mantel from around cabinet. Align pencil mark with inner edge of cabinet from back side. Using screws provided with heater, fasten strips to back of mantel. (At this point complete steps 3 and 4 of surround assembly)
- C. Make sure wooden mantel is in correct position. Place heater into surround. Connect gas line to heater, following all instruction in this manual completely
- D. Make sure you leave 1/4" space between metal filler strip and top and sides of heater. You will also want to position heater so you have 5 1/2" from outer lip of hot air vent to pieces of metal strips, not wooden face of mantel. See Figure 4.

**NOTE:** You will need to leave 1/2" space between back of wooden mantel and an adjacent combustible wall.

**NOTE:** If a masonry hearth is built up under front bottom of heater, and you do not use hearth provided with wooden surround, you must have 12" of non-combustible material from front bottom edge of heater.



### (WS) ASSEMBLY INSTRUCTIONS

Tools Needed: Medium Phillips Screwdriver

Step 1: Lay out all components. (See diagram 1)

Step 2: Assemble end panels (A & B) to top front rail (C). (See section “B” above on this page)

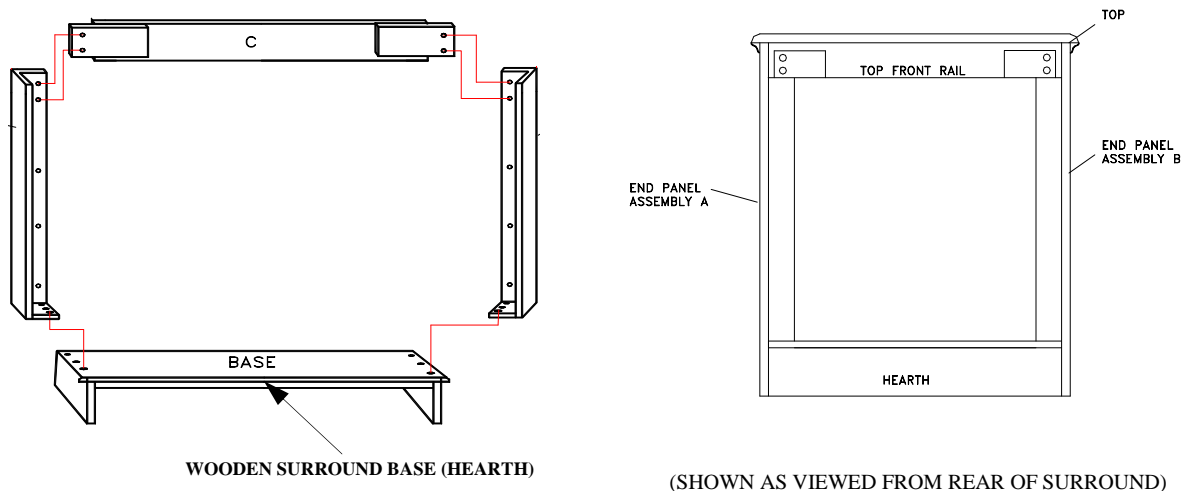
Step 3: Stand end panels and top front rail onto hearth and fasten down with screws provided (See diagram 1).

**NOTE:** Position back of end panels with back of hearth centering assembly from each end. Install front screws first, then pull back towards inside to square surround (mantel) up. Install screws through back holes.

Step 4: Place top onto surround, flush with back and equal on each end. Secure both ends and middle with screws provided.

CONTINUED ON PAGE 11

## EXPLODED VIEW OF MODEL 32 (WS)



## INSTALLATION IN RESIDENTIAL OR AFTER-MARKET MOBILE HOMES

### NOTICE:

**A QUALIFIED SERVICE TECHNICIAN MUST INSTALL THIS HEATER. CHECK FOR STATE AND LOCAL CODES CONCERNING INSTALLATION REQUIREMENTS.**

#### CHECK GAS TYPE:

**THIS APPLIANCE IS ONLY FOR USE WITH TYPE OF GAS INDICATED ON RATING PLATE. THIS APPLIANCE IS NOT CONVERTIBLE FOR USE WITH OTHER GASES.**

#### INSTALLATION SUPPLIES:

Before installing heater, gather following materials:

- external regulator (supplied by installer for propane)
- piping (check local codes)
- manual shutoff valve\*
- test gauge connection\*
- ground joint union
- sediment trap
- tee joint
- pipe wrench
- sealant (resistant to LP gas)

\* An C.S.A. design-certified manual shutoff valve with 1/8" NPT tap is an acceptable alternative to test gauge connection. Purchase optional C.S.A. design-certified manual shutoff valve from your dealer.

### WARNING

**MAINTAIN THE MINIMUM CLEARANCES SHOWN THROUGHOUT THIS MANUAL. IF POSSIBLE, PROVIDE GREATER CLEARANCES FROM FLOOR, CEILING AND ADJOINING WALL.**

**NOTE:** See "Producing Adequate Air For Combustion And Ventilation" page 12.

**.THIS APPLIANCE MAY BE INSTALLED IN AN AFTERMARKET\*, PERMANENTLY LOCATED, MANUFACTURED (MOBILE) HOME, WHERE NOT PROHIBITED BY LOCAL CODES.**

*\*After Market: Completion of sale, not for the purpose of resale from the manufacturer.*

## PRODUCING ADEQUATE AIR FOR COMBUSTION AND VENTILATION

This section is for residential or manufactured (mobile) installation

“This heater shall not be installed in unusually tight construction or unconfined space unless provisions are adequate for combustion and ventilation air.”

The **National Fuel Gas Code, ANSI Z223.1/NFPA 54** defines unusually tight construction or unconfined space as a space whose volume is less than 50 cubic feet per 1,000 BTU per hour ( $4.8\text{m}^3$  per kw) of aggregate input rating of all appliances installed in that space and an unconfined space as a space whose volume is not less than 50 cubic feet per 1,000 BTU per hour ( $4.8\text{m}^3$  per kw) of the aggregate input rating of all appliances installed in that space. Rooms communicating directly with space in which appliance are installed, through openings not furnished with doors, are considered a part of the unconfined space.

**“WARNING: IF AREA IN WHICH HEATER MAY BE OPERATED DOES NOT MEET REQUIRED VOLUME FOR INDOOR COMBUSTION AIR, COMBUSTION AND VENTILATION AIR SHALL BE PROVIDED BY ONE OF METHODS DESCRIBED IN NATIONAL FUEL GAS CODE, ANSI Z223.1/NFPA 54, INTERNATIONAL FUEL GAS CODE OR APPLICABLE CODES.”**

**“WARNING: IF AREA IN WHICH HEATER MAY BE OPERATED IS SMALLER THAN THAT DEFINED AS AN UNCONFINED SPACE OR IF BUILDING IS OF UNUSUALLY TIGHT CONSTRUCTION, PROVIDE ADEQUATE COMBUSTION AND VENTILATION AIR BY ONE OF METHODS DESCRIBED IN NATIONAL FUEL GAS CODE, ANSI Z223.1/NFPA 54 AIR FOR COMBUSTION AND VENTILATION, OR APPLICABLE LOCAL CODES.”**

Unusually tight construction is defined as construction where:

- Walls and ceilings exposed to outside atmosphere have a continuous water vapor retarder with a rating of 1 perm ( $6 \times 10^{-11}$  kg per pa-sec- $\text{m}^2$ ) or less with openings gasketed or sealed;
- Weather stripping has been added on openable windows and doors, and
- Caulking or sealants are applied to areas such as joints around window and door frames, between sole plates and floors, between wall-ceiling joints, between wall panels, at penetrations for plumbing, electrical, and gas lines and at other openings.

**NOTE: SOME AREAS IN UNITED STATES HAVE HIGHER REQUIREMENTS FOR CUBIC FEET PER 1000 BTU/ HOUR INPUT. (EX. CINCINNATI, OHIO CODES REQUIRE 70 CUBIC FEET). CHECK YOUR LOCAL CODE BEFORE INSTALLATION.**

## DETERMINING FRESH-AIR FLOW FOR HEATER LOCATION

DETERMINE IF YOU HAVE UNUSUALLY TIGHT CONSTRUCTION OR UNCONFINED SPACE

Use this worksheet to determine if you have unusually tight construction or unconfined space.

SPACE: Includes the room in which you will install heater plus adjoining rooms with doorless passageways or ventilation grills between rooms.

1. **Determine volume of space (length x width x height).**

Length x Width x Height = \_\_\_\_\_ cu.ft.(volume of space)

EXAMPLE: 20 ft.(Length) x 16 ft.(Width) x 8 ft.(ceiling Height)=  
2560 cu. ft. (volume of space)

If additional ventilation to adjoining room is supplied with grills or openings, add volume of these rooms to total volume of space.

2. **Divide the space volume by 50 cubic feet to determine maximum BTU/Hr space can support.**

\_\_\_\_\_ (volume of space)/50 cu. ft. =maximum BTU/Hr the space can support)

EXAMPLE: 2560 cu. ft. (volume of space /50 cu. Ft .= 51.2 or  
51200 (maximum BTU/Hr the space can support)

3. Add BTU/Hr of all fuel burning appliances in space.

Vent-free heater	_____	BTU/Hr
Gas water heater*	_____	BTU/Hr
Gas furnace	_____	BTU/Hr
Vented gas heater	_____	BTU/Hr
Gas fireplace logs	_____	BTU/Hr
Other gas appliances*	+ _____	BTU/Hr
Total	= _____	BTU/Hr

Example: Gas water heater 40000 BTU/Hr  
Vent-free heater + 18000 BTU/Hr  
Total = 58000 BTU/Hr

\*Does not include direct-vent gas appliances. Direct-vent draws combustion air from outdoors and vents to outdoors.

4. Compare maximum BTU/Hr the space can support with actual amount of BTU/Hr used.

\_\_\_\_\_ BTU/Hr (maximum the space can support)  
\_\_\_\_\_ BTU/Hr (actual amount of BTU/Hr used)

Example: 51200 BTU/Hr (maximum the space can support)  
58000 BTU/Hr (actual amount of BTU/Hr used)

The space in above example is a unusually tight construction because actual BTU/Hr used is more than maximum BTU/Hr space can support. You must provide additional fresh air. Your options are as follows:

- Rework worksheet, adding space of an adjoining room. If the extra space provides an unconfined space, remove door to adjoining room or add ventilation grills between rooms. See “Ventilation Air From Inside Building”, page 21.
- Vent room directly to outdoors. See “Ventilation Air From Outdoors”, page 22.
- Install a lower BTU/Hr heater, if lower BTU/Hr size makes room unconfined.

If actual BTU/Hr used is less than maximum BTU/Hr space can support, space is an unconfined space. You will need no additional fresh air ventilation.



**WARNING:**

**YOU MUST PROVIDE ADDITIONAL VENTILATION AIR IN UNUSUALLY TIGHT CONSTRUCTION**

## AIR FOR COMBUSTION AND VENTILATION INSIDE BUILDING

This fresh air would come from an adjoining unconfined space. When venting to an adjoining space, you must provide two permanent openings: one within 12" of the ceiling and one within 12" of floor on wall connecting two spaces. (See Options 1 and 2, Figure 5). You can also remove door into adjoining room. (See Option 3, Figure 5).

### WARNING

**REWORK WORKSHEET, ADDING SPACE OF ADJOINING UNCONFINED SPACE. THE COMBINED SPACES MUST HAVE ADEQUATE AMOUNT OF AIR TO SUPPLY ALL APPLIANCES IN BOTH SPACES.**

**NOTE:** Each opening shall have a minimum free area of 1 square inch per 1000 BTU's per hour of total input ratings of all gas utilization equipment in confined space, but not less than 100 square inches.

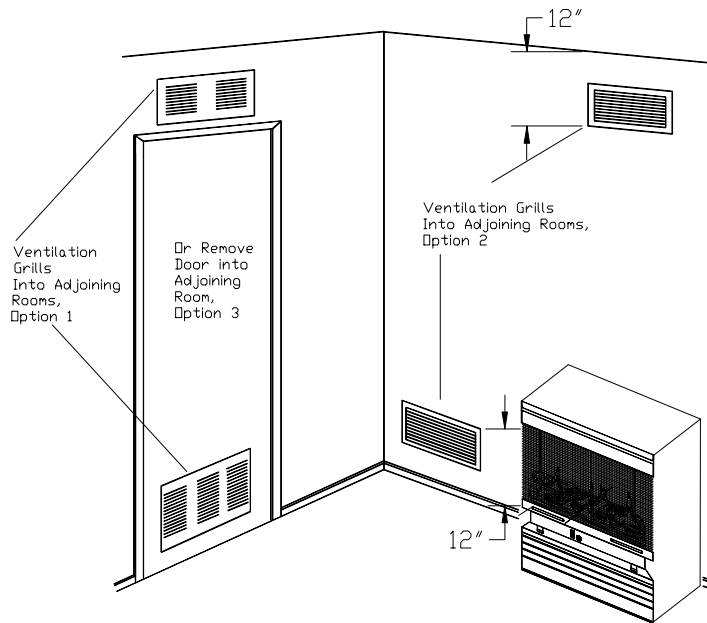


Figure 5: Ventilation Air From Inside Building

**NOTE:** Drill holes on bottom of pedestal base on each corner. Unit must be fastened to floor with screws.





## WARNING

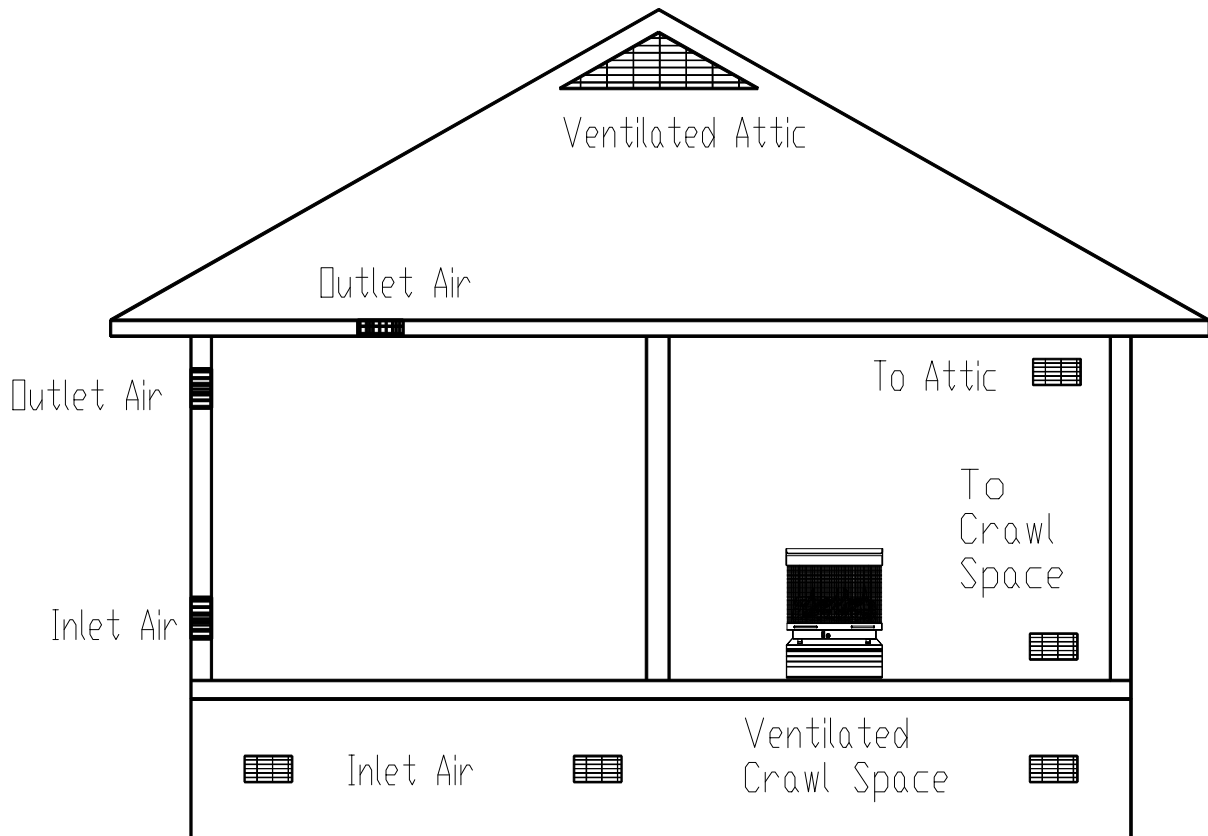
**THIS HEATER MUST HAVE ADEQUATE AMOUNT OF AIR FOR PROPER OPERATION. IF NOT, POOR FUEL COMBUSTION COULD RESULT. READ THE FOLLOWING INSTRUCTIONS TO ENSURE PROPER AMOUNT OF AIR FOR THIS AND OTHER FUEL-BURNING APPLIANCES IN YOUR HOME.**

## AIR FOR COMBUSTION AND VENTILATION OUTDOORS

Provide extra fresh air by using ventilation grills or ducts. You must provide two permanent openings: one within 12" of the ceiling and one within 12" of the floor. Connect these items directly to the outdoors. These spaces include attics and crawl spaces. Follow National Fuel Gas Code NFPA 54/ANSI Z223.1, Section 4.3, "Air For Combustion and Ventilation" for required size of ventilation grills or ducts. See Figure 6.

**IMPORTANT:** Do not provide openings for inlet air into attic if attic has a thermostat-controlled power vent. Heated air entering the attic will activate the power unit.

Figure 6: Ventilation Air From Outdoors



## PREPARING LOG KIT

Open cartons containing Burner Base and M-3019 logs. The logs are numbered as follows: (1) Front, (2) Rear, (3) Right side top, (4) Left side top.

**WARNING: POSITIONING OF LOGS IS VERY CRITICAL (SEE FIGURE 7).**

- (1) POSITION REAR LOG (#2) , IN REAR LOG HOLDERS, CENTERING LEFT TO RIGHT.
- (2) PLACE FRONT LOG (#1) OVER FRONT PART OF BURNER TUBE. LOCATE LOG IN CENTER OF BURNER BASE. MAKE SURE MIDDLE SUPPORT LEG OF FRONT LOG IS IN HOLDERS LOCATED IN CENTER OF BURNER BASE, JUST BEHIND FRONT PART OF BURNER TUBE.
- (3) TAKE RIGHT TOP LOG (#3) AND PLACE IT IN SLOTS LOCATED AT RIGHT SIDE OF FRONT AND REAR LOGS, FACING BURNER BASE.
- (4) PLACE LEFT TOP LOG (#4) IN SLOTS OF LEFT FRONT AND REAR LOGS.
- (5) WHEN IGNITING BURNER, CHECK AND MAKE SURE FLAME IS NOT TOUCHING EITHER SIDE OF LOG (#3), OR LOG (#4). IF FLAME IS TOUCHING LOGS ON EITHER SIDE, MOVE SLIGHTLY TO LEFT OR RIGHT TO ELIMINATE FLAME FROM TOUCHING EITHER LOG.

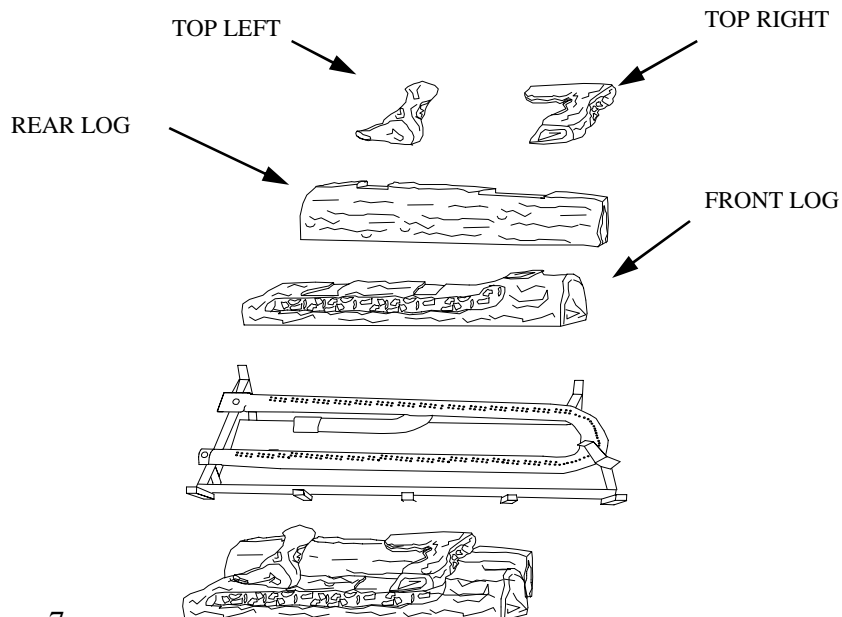


Figure 7

**WARNING:** Failure to position parts in accordance with these diagrams or failure to use only parts specifically approved with this heater may result in property damage or personal injury.

## GAS CONNECTION

Check gas type. Use only type of gas indicated on valve rating plate. If gas type listed on plate is not your type of gas supply, **DO NOT INSTALL**. Contact your dealer for proper model.

Always use an external regulator for all LP heaters to reduce the supply tank pressure to a maximum of 14" W.C. This is in addition to regulator furnished with heater.

**WARNING: CONNECTION DIRECTLY TO AN UNREGULATED LP TANK CAN CAUSE AN EXPLOSION.**

The normal gas connection is 3/8" N.P.T. made at left side (facing front of appliance) of appliance. If a right side connection is desired, connecting pipe may be led under the rear of burner base to terminate at right hand side for connection at inlet of valve.

**NOTE:** The connecting pipe must be internally tinned copper tubing for use with natural gas. Test for leaks using a solution of soap and water after completing connection. **DO NOT USE OPEN FLAME.**

**WARNING: ANY CHANGE TO THIS HEATER OR ITS CONTROLS CAN BE DANGEROUS.**

**NOTE:** "If factory-built fireplace has no gas access hole provided, an access hole of 1.5 inch (37.5mm) diameter or less may be drilled through lower sides or bottom of fire box in a proper workmanlike manner. This access hole must be plugged with non-combustible insulation after gas supply line has been installed."

**WARNING: Installation and repairs should be performed by a qualified service person. The appliance should be inspected before use and at least annually by a professional service person. More frequent cleaning may be required due to excessive lint from carpeting, bedding material, etc. It is imperative that control compartments, burners and circulating air passageways of appliance be kept clean.**

## GAS PRESSURE CHECK

Check inlet pressure to burner to ensure that it is shown in table below.

**NOTE:** The pressure check point is located on right side of valve facing burner, for SIT Millivolt and left side for SIT Modulating.

The appliance and its appliance main gas valve must be disconnected from gas supply piping system during any pressure testing of that system at test pressures in excess of 1/2 psi (3.5kPa).

The appliance must be isolated from gas supply piping system by closing its equipment shut-off valve during any pressure testing of gas supply piping system at test pressures equal to or less than 1/2 psi (3.5 kPa).

VALVE MODEL:	(MILLIVOLT)		(SIT MANUAL-MODULATING)	
	FP32	FP32	FP32	FP32
<u>GAS</u>	<u>Natural</u>	<u>Propane</u>	<u>Natural</u>	<u>Propane</u>
Maximum Heat Input	33,000	33,000	33,000	33,000
Minimum Heat Input	23,000	23,000	12,000	13,000
<u>Gas Inlet Pressure</u>				
Maximum	10.5ins.W.C.	13ins.W.C.	10.5ins.W.C.	9.0ins.W.C.
Minimum	* 5.0ins.W.C.	*11ins.W.C.	*5.0ins.W.C.	*11ins.W.C.
<u>Manifold Pressure</u>				
Maximum	3.5ins.W.C.	9.0ins.W.C.	3.5ins.W.C.	9.0ins.W.C.
Minimum	3.0ins.W.C.	8.2ins.W.C.	2.8ins.W.C.	7.2ins.W.C.

**NOTE:** On initial installation it may be necessary to bleed out air in gas lines. Do this by holding control knob and turning knob to “PILOT” position for about 30 seconds.

To check regulator pressure, remove pressure tag plug at left side of regulator facing heater. The pressure should be checked with heater burning and control set on high. After measuring pressure, replace pressure tap plug, ensuring that there are no leaks.

\* For purpose of minimum input adjustment.

### WARNING

**This appliance is equipped for (natural or propane) gas.  
Field conversion is not permitted.**

**Solid fuels shall not be burned in same fireplace where an unvented room heater has been installed.**

**NOTE:** The following label has been provided with this appliance and must be read and then attached to floor of fireplace or firebox area beneath appliance. The label is a peel and stick label. Make sure the area is cleaned before attaching the label to it.

**“WARNING: This solid-fuel burning fireplace or listed ventless enclosure has been converted for use with an unvented fireplace insert only. A solid-fuel burning fireplace cannot be used for burning wood or solid fuels unless all original parts have been replaced, and fireplace re-approved by authority having jurisdiction. A vent less firebox enclosure cannot be used with an unvented gas log unless all original parts have been replaced and vent less firebox enclosure re-approved by authority having jurisdiction.”**

**LIGHTING INSTRUCTIONS  
MILLIVOLT VALVE (ITT)**

**FOR YOUR SAFETY, READ BEFORE LIGHTING**

**WARNING**


**IF YOU DO NOT FOLLOW THESE INSTRUCTIONS EXACTLY, A FIRE OR EXPLOSION MAY RESULT CAUSING PROPERTY DAMAGE, PERSONAL INJURY OR LOSS OF LIFE.**

- A. This appliance has a pilot which must be lit by hand. When lighting the pilot, follow these instructions exactly.
- B. **BEFORE LIGHTING** smell around appliance for gas. Be sure to smell next to floor because gas is heavier than air and will settle on floor.

**WHAT TO DO IF YOU SMELL GAS**

- ◆ Do not try to light any appliance.
  - ◆ Do not touch any electrical switch; do not use any phone in your building.
  - ◆ Immediately call your gas supplier from a neighbor's phone. Follow gas supplier's instructions.
  - ◆ If you cannot reach your gas supplier, call fire department.
- C. Use only your hand to push in or turn the gas control knob. Never use tools. If knob will not push in or turn by hand, don't try to repair it, call a qualified service technician. Force or attempted repair may result in a fire or explosion.
- D. Do not use this appliance if any part has been under water. Immediately call a qualified service technician to inspect appliance and to replace any part of control system and any gas control which has been under water.

# LIGHTING INSTRUCTIONS

1. **STOP!** Read the safety information on previous page.
2. Make sure the manual shutoff valve is fully closed. If equipped with thermostat set to lowest setting.
3. Turn off all electrical power to appliance.
4. Open access panel door located at bottom front of appliance.
5. Turn control knob clockwise  to full "OFF" position.

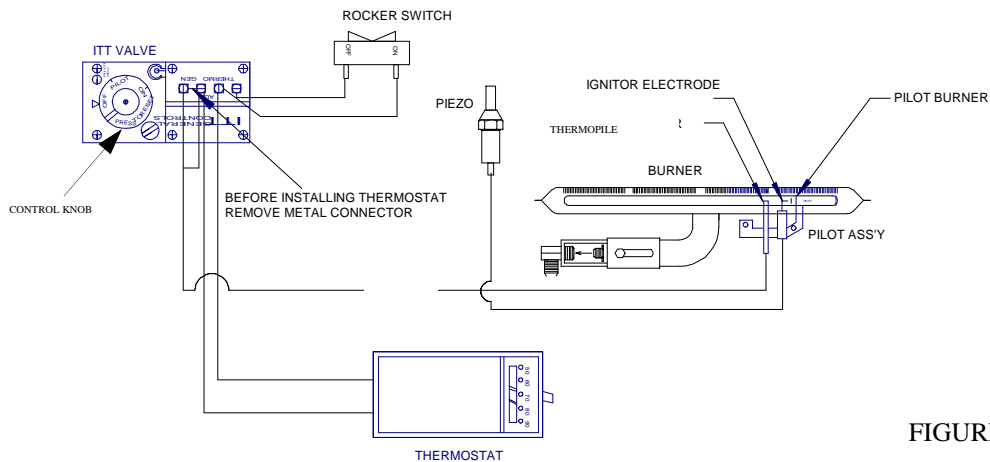

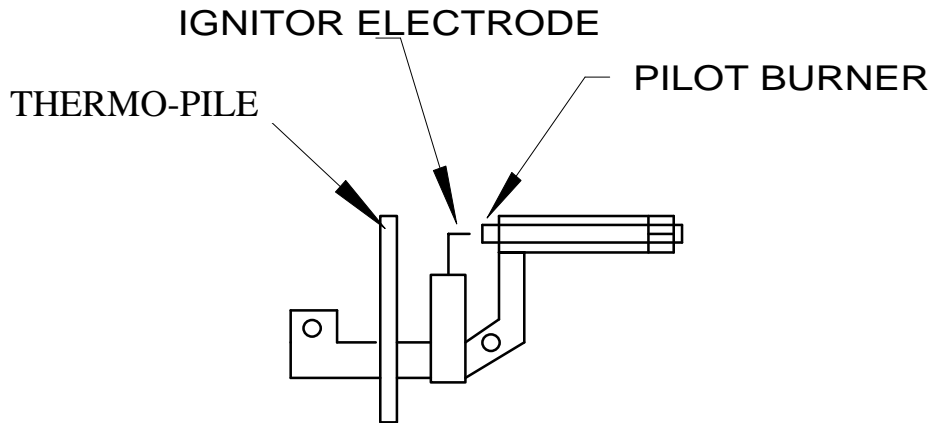



FIGURE: 8

When hooking up a Wall Thermostat to valve, remove Jumper Bar. Do not remove existing wires, simply add wire from Wall Thermostat to screws (one wire to each screw).

6. Wait five (5) minutes to clear out any gas. Then smell for gas, including near floor. If you smell gas, **STOP!** Follow "B" in the safety information on previous page. If you don't smell gas, go to next step.
  7. Find Pilot: The pilot is located in front of rear log and burner on right hand side of appliance. Fully open manual shutoff valve.
  8. Push ON/OFF toggle switch to "OFF" (rocker switch).
  9. Turn gas control knob counterclockwise  to "PILOT" position. Press in gas control knob for fifteen (15) seconds.
  10. With control knob pressed in, push down (in) and release the ignitor button (ignitor button is located on left hand side of front of appliance). This will light pilot. If needed, keep repeating this step until pilot lights.
  11. Keep control knob pressed in for (1) one minute after lighting pilot. After (1) minute, release gas control knob and it will pop back out. Pilot should remain lit. If pilot goes out, repeat steps 1 through 9.
- If the knob does not pop out when released, stop and immediately call your service technician or gas supplier.


- If the pilot will not stay lit after several tries, turn gas control knob to “OFF” and call your service technician or gas supplier.



12. Turn control knob counterclockwise  to “ON” position. Push “ON/OFF” toggle switch to “ON” position. The main burner should light.
  13. Close access panel door.
  14. Turn on all electrical power to appliance.
- NOTE:** This unit may be used with an optional Wall Thermostat. If so, Wall Thermostat needs to be set at a higher temperature than room temperature.

## TO TURN OFF GAS TO APPLIANCE

### SHUTTING OFF UNIT

1. Open access panel door located at bottom front of appliance.
2. “If equip with thermostat set to lowest setting.”
3. Turn control knob clockwise  to “OFF” position.
4. Turn off all electric power to the appliance if service is to be performed.
5. Close access panel door.

### SHUTTING OFF BURNER ONLY (Pilot stays lit.)

Turn control knob clockwise  to “PILOT” position.



## CAUTION

**DO NOT TRY TO ADJUST HEATING LEVELS BY USING MANUAL SHUTOFF VALVE.**

## THERMOSTAT CONTROL OPERATION

- This valve operates off of millivolts produced by generator. You may choose to use an optional Wall Thermostat or Remote control. If so, see Figure 2, page 11 for wiring diagram.

## MANUAL LIGHTING PROCEDURE

1. If pilot cannot be lit with piezo, it can be manually lit with use of a paper match and a lighter rod.
2. Open access panel door located at bottom front of appliance.
3. Place match in holder and light. With left hand, turn control knob counterclockwise to  "PILOT" position. Press in gas control knob for fifteen (15) seconds.
4. Use rod to light match and ignite pilot. The pilot is located in front of rear log and burner on right hand side of appliance.
5. Continue to hold control knob for an additional one (1) minute to ensure pilot is lit.
6. Turn control knob counterclockwise  to "ON" position. Push "ON/ OFF" toggle switch to "ON" position. The main burner should light.
7. Close access panel door.
8. Turn on all electrical power to appliance.

**NOTE:** This unit may be used with an optional Wall Thermostat. If so, Wall Thermostat needs to be set at a higher temperature than room temperature.



**LIGHTING INSTRUCTION  
MODULATING VALVE (SIT)  
OR MANUAL VALVE (SIT)  
FOR YOUR SAFETY READ BEFORE LIGHTING**

**WARNING**


IF YOU DO NOT FOLLOW THESE INSTRUCTIONS EXACTLY, A FIRE OR EXPLOSION MAY RESULT CAUSING PROPERTY DAMAGE, PERSONAL INJURY OR LOSS OF LIFE.”

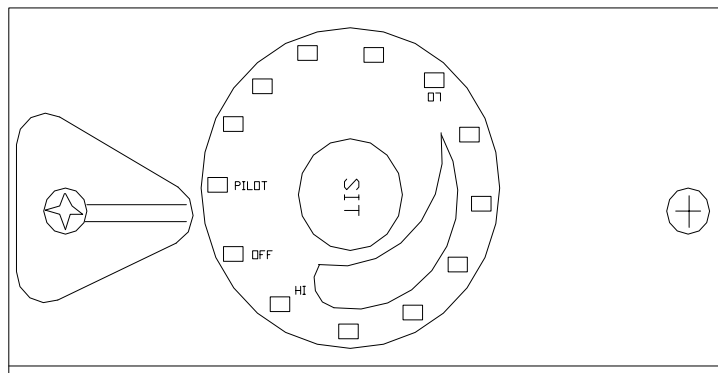
- A. This appliance has a pilot which must be lit by hand. When lighting pilot, follow these instructions exactly.
- B. **BEFORE LIGHTING** smell all around the appliance area for gas. Be sure to smell next to floor because gas is heavier than air and will settle on floor.


**WHAT TO DO IF YOU SMELL GAS:**

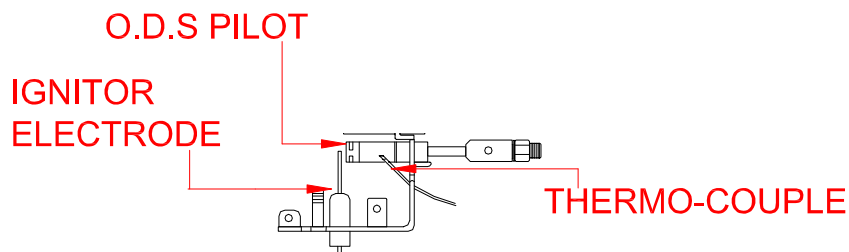
- Do not try to light any appliance.
  - Do not touch any electric switch; do not use any phone in your building.
  - Immediately call your gas supplier from a neighbor’s phone. Follow gas supplier’s instructions.
  - If you cannot reach your gas supplier, call fire department.”
- C. Use only your hand to push in or turn gas control knob. Never use tools. If knob will not push in or turn by hand, don’t try to repair it’ call a qualified service technician. Force or attempted repair may result in a fire or explosion.”
- D. **Do not** use this appliance if any part has been under water. Immediately call a qualified service technician to inspect the appliance and to replace any part of the control system and any gas control which has been under water.”



## LIGHTING INSTRUCTION

1. **STOP!** Read the safety information on preceding page 19.
2. Make sure manual shutoff valve is fully closed.
3. Turn off all electrical power to appliance.
4. Open access panel door located at bottom front of appliance.
5. Turn control knob clockwise  to full “OFF” position.



6. Wait five (5) minutes to clear out any gas. Then smell for gas, including near floor. If you smell gas, **STOP!** Follow “B” on preceding page in Safety Information. If you don’t smell gas, go to next step.
7. Find Pilot: The pilot is located in front of rear log and burner on right hand side of appliance. Fully open manual shutoff valve.
8. Press in and turn gas control knob counterclockwise  to “PILOT” position continue pressing in control knob for fifteen (15) seconds.
9. With control knob pressed in, push down (in) and release the ignitor button (ignitor button is located on left hand side of gas control valve) . This will light pilot. If needed, keep repeating this step until pilot lights.
10. Keep control knob pressed in for one (1) minute after lighting pilot. After one (1) minute, release control knob and it will pop back out. Pilot should remain lit. If pilot goes out, repeat steps 1 through 9.
  - If the knob does not pop out when released, stop and immediately call your service technician or gas supplier.
  - “If pilot will not stay lit after several tries, turn gas control knob to “OFF” and call your services technician or gas supplier.”




11. Turn gas control knob counterclockwise  to "ON" position. Continue to turn gas control knob counterclockwise  to your desired setting.
12. Close access panel door.
13. Turn on all electrical power to appliance.

### CAUTION

**DO NOT TRY TO ADJUST HEATING LEVELS BY USING MANUAL SHUTOFF VALVE.**

## TO TURN OFF GAS TO APPLIANCE

### SHUTTING OFF UNIT

1. Open access cover door.
2. Turn gas control knob clockwise  to full "OFF" position.
3. Turn off all electric power to appliance if service is to be performed
4. Close access cover door.

### SHUTTING OFF BURNER ONLY (pilot stays lit)

Turn control knob clockwise  to "PILOT" position.

**CAUTION:** Hot while in operation. Do Not Touch. Keep children, clothing, furniture, gasoline, and other liquids having flammable vapors away.

**CAUTION:** DO NOT TRY TO ADJUST HEATING LEVELS BY USING MANUAL SHUTOFF VALVE.

**WARNING:** Improper installation, adjustment, alteration, service or maintenance can cause property damage, personal injury or loss of life. Refer to owner's information manual provided with this appliance. Installation and service must be performed by a qualified installer, service agency or the gas supplier.



**IMPORTANT:** Always operate the appliance at the completely "ON" or completely "OFF" positions. Never use heater at a setting between these positions as this can result in improper combustion and excessive carbon monoxide emissions.

## THERMOSTAT CONTROL OPERATION

1. The thermostat control on this heater differs from standard thermostats. Standard thermostats simply turn burner on and off. The thermostat used on this heater senses room temperature and adjusts amount of gas flow to burner. This will increase or decrease flame height. At times, room may exceed set temperature, which will cause burner to shut off. When room temperature drops below thermostat setting, burner will cycle itself on again. The control knob can be set to any level between “LO” and “HI”.

**NOTE:** The thermostat sensing bulb measures temperature of air near heater cabinet. This may not always agree with room temperature (depending on housing construction, installation location, room size, open air temperatures, etc.). Frequent use of your heater will allow you to determine your personal comfort levels.

## MANUAL LIGHTING PROCEDURE

1. If pilot cannot be lit with piezo, it can be manually lit with the use of a paper match and a lighter rod.
2. Open access panel door located at bottom front of appliance.
3. Place match in the holder and light. With left hand, turn control knob counterclockwise  to “PILOT” position. Press in gas control knob for fifteen (15) seconds.
4. Use rod to light match and ignite pilot. The pilot is located in front of rear log and burner on the right hand side of appliance.
5. Continue to hold control knob for an additional one (1) minute to ensure the pilot is lit.
6. Turn control knob counterclockwise  to “ON” position. Push “ON/OFF” toggle switch to “ON” position. The main burner should light.
7. Close access panel door.
8. Turn on all electrical power to appliance.

**NOTE:** This unit may be used with an optional Wall Thermostat. If so, Wall Thermostat needs to be set at a higher temperature than room temperature.

## FLAME CHECK

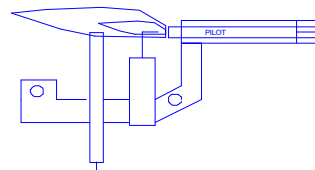
A periodic check of flames should be made. The pilot flame should always be present when gas logs are in operation. See Figure 11.

### FLAME:

- Propane (LP) should produce a flame that is about 6" above rear log. This flame should be yellow.
- Natural gas should produce a flame that is about 3" to 4" above rear log. This flame should be mostly blue except foot top tips which should be yellow.



Natural



Propane

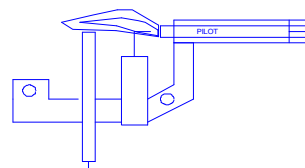


Figure 11

# WIRING DIAGRAM

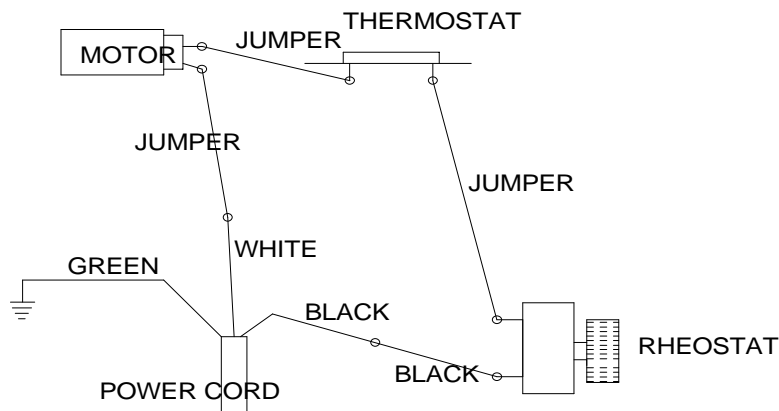
## WARNING:

### ELECTRICAL GROUNDING INSTRUCTION:

**THIS APPLIANCE IS EQUIPPED WITH A THREE-PRONG (GROUNDING) PLUG FOR YOUR PROTECTION AGAINST SHOCK HAZARD AND SHOULD BE PLUGGED DIRECTLY INTO A PROPERLY GROUNDED THREE-PRONG RECEPTACLE.**

**NOTE:** #PESBR084 Blower Motor  
Rating: 120 volts/60HZ/1.1 Amps.

**NOTE:** For convenience, allow licensed electrician to install properly grounded 3-plug receptacle near unit.



**WARNING: CHILDREN AND ADULTS SHOULD BE ALERTED TO HAZARDS OF HIGH SURFACE TEMPERATURES AND SHOULD STAY AWAY TO AVOID BURNS OR CLOTHING IGNITION. YOUNG CHILDREN SHOULD BE CAREFULLY SUPERVISED WHEN THEY ARE IN SAME ROOM WITH APPLIANCE**

**WARNING: DO NOT PLACE CLOTHING OR OTHER FLAMMABLE MATERIAL ON OR NEAR THE APPLIANCE.**

**NOTE:** "If any of original wire as supplied with gas appliance must be replaced, it must be replaced with a wire of at least a 105° C. temperature rating."

**NOTE:** Installation and repair should be done by a qualified service person. This heater should be inspected before use and at least annually by a qualified service person. More frequent cleaning may be required due to excessive lint from carpeting, bedding material, etc. It is imperative that control compartments and circulating air passageways of heater be kept clean.

**CAUTION:** Label all wires prior to disconnection when servicing controls. Wiring errors can cause improper and dangerous operation.

Verify proper operation after servicing.

## IMPORTANT SAFEGUARDS

Although your gas logs are very realistic in appearance, it is not a real burning fireplace and must not be used for burning rejected material.

- To avoid irreparable damage to heater or personal injury, matches, paper, garbage or any other material **must not** be placed or thrown on top of logs or into flames.
- To avoid personal injury, do not touch hot surfaces when heater is operating.
- Close supervision is necessary when heater is being operated near children.

**WARNING: THE LOGS MANUFACTURED FROM BONDED CERAMIC FIBER. THIS IS A COMMONLY USED MATERIAL IN INDUSTRY WORLDWIDE. IN EVENT THAT A LOG SHOULD BE REMOVED, CARE SHOULD BE TAKEN NOT TO DAMAGE BONDED MATERIAL. INTENTIONAL MISUSE OR DELIBERATELY FRAGMENTING MATERIAL COULD LEAD TO INHALING FIBERS AND BE HAZARDOUS TO YOUR HEALTH.**

**THIS HEATER IS INTENDED FOR USE AS A GAS HEATER FIREPLACE AS DESCRIBED IN THESE INSTRUCTIONS. IT SHOULD NOT BE USED FOR ANY OTHER PURPOSE.**

## CLEANING

**CAUTION:BEFORE CLEANING OR MOVING THESE LOGS OR OTHER PARTS OF THE HEATER, BE SURE TO READ THE ABOVE SECTIONS ON “IMPORTANT SAFEGUARDS.”**

The appliance must be turned “OFF” before cleaning inside firebox (burn area), make sure the pilot is “OFF” completely and appliance has cooled.

- All cleaning should be carried out when heater is cold. Limited cleaning is required with normal use. Dusting front of base, the top of piezo cover or control knob panel may be required occasionally. Do not use cleaning fluids to clean logs or any other part of heater.
- If flames show unusual shapes or behavior, or if burner fails to ignite properly, burner holes may require cleaning. If this occurs, contact your nearest dealer to service heater.
- The heater can be cleaned by removing logs. Lift logs gently, as not to damage fiber pieces, use caution when removing. Lift each log by holding it carefully at each end. Use a vacuum cleaner to remove dust and loose particles from base, logs and around burner and ODS/Pilot. Gloves are recommended to prevent fibers from breaking the skin. If skin is broken, clean with soap and water.

**WARNING:** Failure to keep the primary air openings of the burner clean may result in soot and property damage.

## TROUBLE SHOOTING

### WARNING:

**TURN OFF, UNPLUG HEATER AND LET COOL BEFORE SERVICING. ONLY A QUALIFIED SERVICE PERSON SHOULD SERVICE AND REPAIR HEATER.**

### CAUTION:

**NEVER USE A WIRE, NEEDLE, OR SIMILAR OBJECT TO CLEAN ODS/PILOT. THIS CAN DAMAGE ODS/PILOT.**

OBSERVED PROBLEM	POSSIBLE CAUSE	SOLUTION
Igniter button is pressed no spark at ODS/Pilot	1. Igniter electrode positioned incorrectly. 2. Igniter electrode broken 3. Igniter electrode not connected to igniter cable 4. Igniter cable pinched or wet 5. Piezo igniter nut is loose 6. Broken igniter cable 7. Bad piezo igniter	1. Replace igniter 2. Replace igniter 3. Reconnect igniter cable 4. Free igniter cable if pinched by any metal or tubing. Keep igniter cable dry. 5. Tighten nut holding piezo igniter to heater cabinet. Nut is located inside heater cabinet at top. 6. Replace igniter cable 7. Replace piezo igniter
OBSERVED PROBLEM	POSSIBLE CAUSE	SOLUTION
Igniter button is pressed Spark at ODS/Pilot No Ignition	1. Gas supply turned off or manual shutoff valve is closed 2. Control knob not in PILOT position 3. Control knob not pressed in while in PILOT position	1. Turn on gas supply or open manual shutoff valve 2. Turn control knob to PILOT position 3. Press in control knob while in PILOT position



- |                                         |                                                                                        |
|-----------------------------------------|----------------------------------------------------------------------------------------|
| 4. Air in gas lines when installed      | 4. Continue to hold down control knob. Repeat igniting operation until air is removed. |
| 5. Depleted gas supply                  | 5. Contact local propane gas company                                                   |
| 6. ODS/Pilot is clogged                 | 6. Clean ODS/Pilot or replace ODS/Pilot assembly                                       |
| 7. Gas regulator setting is not correct | 7. Replace gas regulator                                                               |

**OBSERVED  
PROBLEM**

**POSSIBLE  
PROBLEM**

**SOLUTION**

ODS/PILOT lights but flame goes out when control knob is released

- |                                                                                                                                                                                                                                           |                                                                                                                             |
|-------------------------------------------------------------------------------------------------------------------------------------------------------------------------------------------------------------------------------------------|-----------------------------------------------------------------------------------------------------------------------------|
| 1. Control knob is not fully pressed in                                                                                                                                                                                                   | 1. Press control knob completely                                                                                            |
| 2. Control knob not pressed in long enough                                                                                                                                                                                                | 2. After ODS/Pilot lights keep control knob pressed 30 seconds.                                                             |
| 3. Safety interlock system has been triggered (if equipped)                                                                                                                                                                               | 3. Wait 1 minute for safety interlock system to reset.                                                                      |
| 4. Manual shutoff valve not fully open                                                                                                                                                                                                    | 4. Fully open manual shutoff valve.                                                                                         |
| 5. Thermocouple connection loose at control valve.                                                                                                                                                                                        | 5. Hand tighten until snug, then tighten 1/4 turn                                                                           |
| 6. Pilot flame not touching thermocouple, which allows thermocouple to cool, causing pilot flame to go out. This problem can be caused by one or both of the following:<br>A) low gas pressure<br>B) dirty or partially clogged ODS/Pilot | 6. A) contact local propane gas company<br>B) Clean ODS/Pilot (See Cleaning and Maintenance), or replace ODS/Pilot assembly |
| 7. Control valve damaged                                                                                                                                                                                                                  | 7. Replace valve control                                                                                                    |

OBSERVED PROBLEM	POSSIBLE CAUSE	SOLUTION
Burner does not light after ODS/ Pilot is lit	<ol style="list-style-type: none"> <li>1. Burner orifice is clogged</li> <li>2. Inlet gas pressure is too low</li> </ol>	<ol style="list-style-type: none"> <li>1. Clean burner (see Cleaning and Maintenance) or replace burner orifice</li> <li>2. Contact local propane gas company</li> </ol>
Delayed ignition of burner	<ol style="list-style-type: none"> <li>1. Manifold pressure is too low</li> <li>2. Burner orifice is clogged</li> </ol>	<ol style="list-style-type: none"> <li>1. Contact local propane gas company.</li> <li>2. Clean burner (see Cleaning and Maintenance) or replace burner orifice</li> </ol>
Burner backfiring during combustion	<ol style="list-style-type: none"> <li>1. Burner orifice is clogged or damaged</li> <li>2. Burner damaged</li> <li>3. Gas regulator defective</li> </ol>	<ol style="list-style-type: none"> <li>1. Clean burner (see Cleaning and Maintenance) or replace burner orifice</li> <li>2. Replace burner</li> <li>3. Replace gas regulator</li> </ol>
Slight smoke or odor during initial operation	<ol style="list-style-type: none"> <li>1. Residues from manufacturing process</li> </ol>	<ol style="list-style-type: none"> <li>1. Problem will stop after a few hours of operation</li> </ol>
Heater produces a whistling noise when burner is lit	<ol style="list-style-type: none"> <li>1. Turning control knob to HI position when burner is cold (if equipped with this type of valve)</li> <li>2. Air in gas line</li> <li>3. Air passageways on heater blocked</li> <li>4. Dirty or partially clogged burner orifice</li> </ol>	<ol style="list-style-type: none"> <li>1. Turn control knob to LOW position and allow to warm</li> <li>2. Operate burner until air is removed from line. Call local propane company to check gas line.</li> <li>3. Observe minimum installation clearances</li> <li>4. Clean burner or replace orifice</li> </ol>

## WARNING

### IF YOU SMELL GAS:

- \* **SHUT OFF GAS SUPPLY**
- \* **DO NOT TRY TO LIGHT APPLIANCE**
- \* **DO NOT TOUCH ANY ELECTRICAL SWITCH; DO NOT USE ANY PHONE IN YOUR BUILDING**
- \* **IMMEDIATELY CALL YOUR GAS SUPPLIER FROM A NEIGHBOR'S PHONE. FOLLOW THE GAS SUPPLIER'S INSTRUCTIONS.**
- \* **IF YOU CANNOT REACH YOUR GAS SUPPLIER, CALL THE FIRE DEPARTMENT.**

**IMPORTANT:** Operating heater where impurities in the air exist may create odors. Cleaning supplies, paint, paint remover, cigarette smoke, cements, glues and new carpet or textiles, etc. create fumes. These fumes may mix with combustion air and create odors.

OBSERVED PROBLEM	POSSIBLE CAUSE	SOLUTION
Heater produces a clinking/ticking noise just after burner is lit or shut off	1. Metal expands while heating or contracts while cooling	1. This is common with most heaters. If noise is excessive, contact a qualified service person.
Heater produces unwanted odors	1. Heater burning vapors from paint, hairspray, glues, etc. (See <b>Important</b> above) 2. Low fuel supply 3. Gas leak (See <b>WARNING</b> above)	1. Ventilate room. Stop using odor causing products while heater is running 2. Refill supply tank. 3. Locate and control all leaks See Checking Gas Connections
Heater shuts off in use (ODS operates)	1. Not enough fresh air is available. 2. Low line pressure 3. ODS/Pilot is partially clogged	1. Open window/door for ventilation 2. Contact local propane co. 3. Clean ODS/Pilot
Gas odor even when control knob is in OFF position	1. Gas leak (See <b>WARNING</b> , above) 2. Control valve defect	1. Locate and correct all leaks (see Checking Gas Connections) 2. Replace control valve
Gas odor during combustion	1. Foreign matter between control valve and burner 2. Gas leak (See <b>WARNING</b> , above)	1. Remove foreign matter from gas tubing 2. Locate and correct all leaks (see Checking Gas Connections)



## **SERVICING**



Repair and replacement work should only be performed by a qualified service technician.

Always shut off gas supply and make sure heater is cool before beginning any service operation. Check for gas leaks after servicing.



## **REPAIR PARTS**



A parts list with exploded view follows. Always include correct name, part number and model number of heater when ordering service parts. Please contact your local dealer or Distributor when ordering or if one is not available, you may contact:

New Buck Corporation  
PO Box 69, 200 Ethan Allen Drive  
Spruce Pine, NC 28777

(828)-765-6144

# REPLACEMENT PARTS

## ITT VALVE 19GL BASE

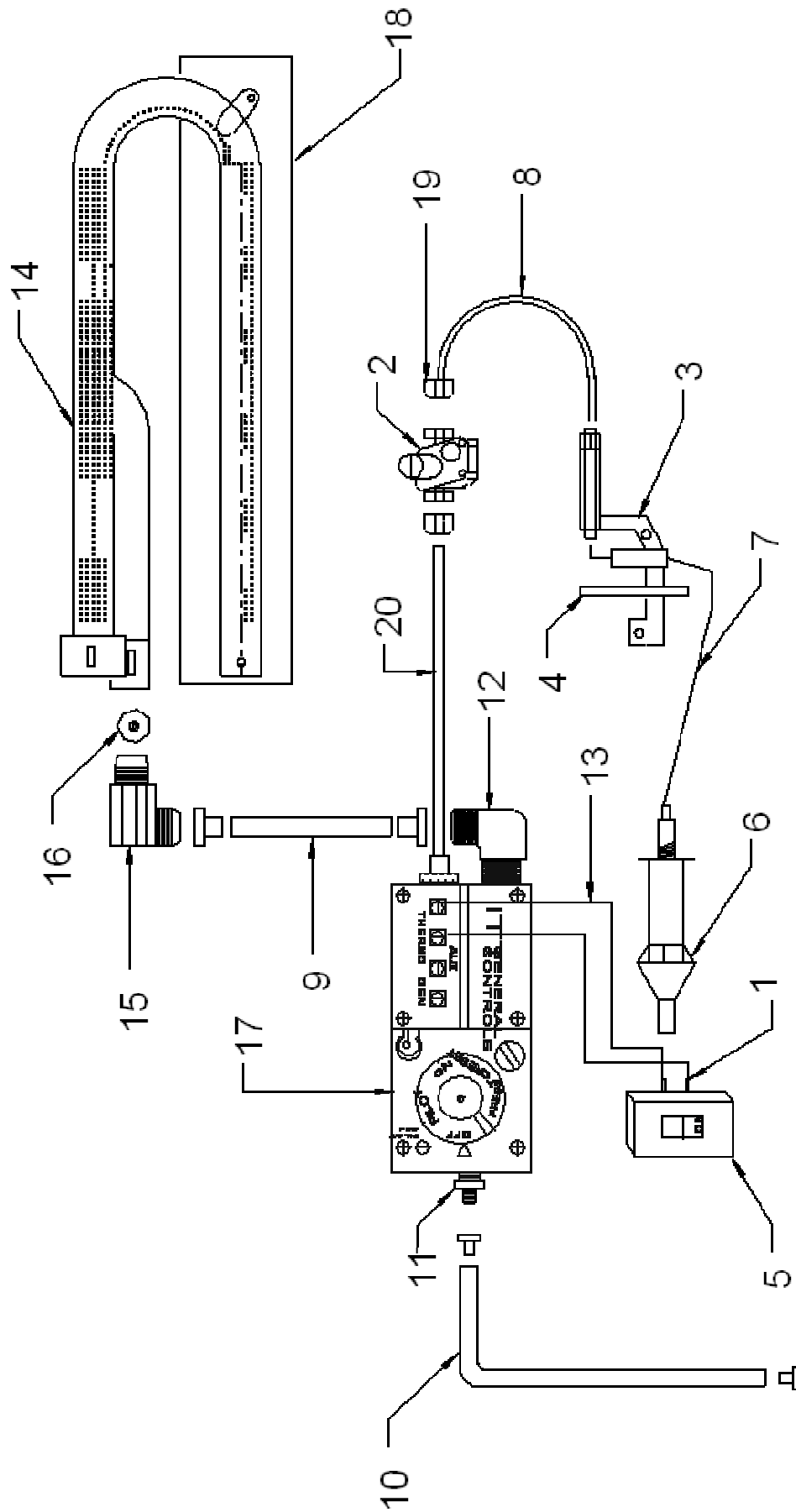
(Picture on page 36)

<b>KEY#</b>	<b>PART DESCRIPTION</b>	<b>PART NUMBER</b>
1.	Female Terminals	PE 5X425
2.	Regulator (LP) Maxitrol	PE RV 12LF90
2.	Regulator (NAT) Maxitrol	PE RV 12LF30
3.	Pilot (NAT) Copreci	PE 2150053 - NAT
3.	Pilot (LP) Copreci	PE 2150054 - LP
4.	Generator ITT	PE G251F245
5.	Carling Switch	PE RA911VB
6.	Piezo Striker	PE 124461
7.	Piezo 14" Igniter Wire	PE UL3304
8.	Pilot Tube 1/4"	MF 147AL
9.	Burner Tube 3/8"	PO 38117ALMTUB
10.	3/8" Supply Tube	PO 38812ALMTUB
11.	3/8" IPT Male & Female Connector	PH 4866
12.	3/8" x 3/8" Elbow (Brass)	PH 4966
13.	Jumper Wire 6"	PE 65 JUMPER
14.	Burner	PO DTBURN
15.	Orifice Holder	PO 54ORFHLD
16.	Orifice	PO ORIFICE
17.	Valve (LP) ITT	PE B67SA-233
17.	Valve (NAT) ITT	PE B67RA-234
18.	Burner Base	PO 300010
19.	1/8" x 1/4" Compression Adapter	PH 6842
20.	Regulator Tube 1/4"	MF 147AL

### OTHER PARTS (NOT SHOWN)

21.	Fan Motor	PE SBRO84
22.	Power Cord	PE 400240
23.	Strain Release	PE 400320
24.	Thermostat	PE 400130
25.	Male Terminals	PE 5X428
26.	Jumper Wire 12"	PE 12JUMPER
27.	Gas Log Set	PO C-3329
28.	Fan Speed Control Label	PE KB9724
29.	Rheostat	PE BC 204
30.	Rheostat Knob	PE BC 204A
31.	Heyco 1-1/4" Grommet	PE HEYCO2883

ITT VALVE 19GL BASE

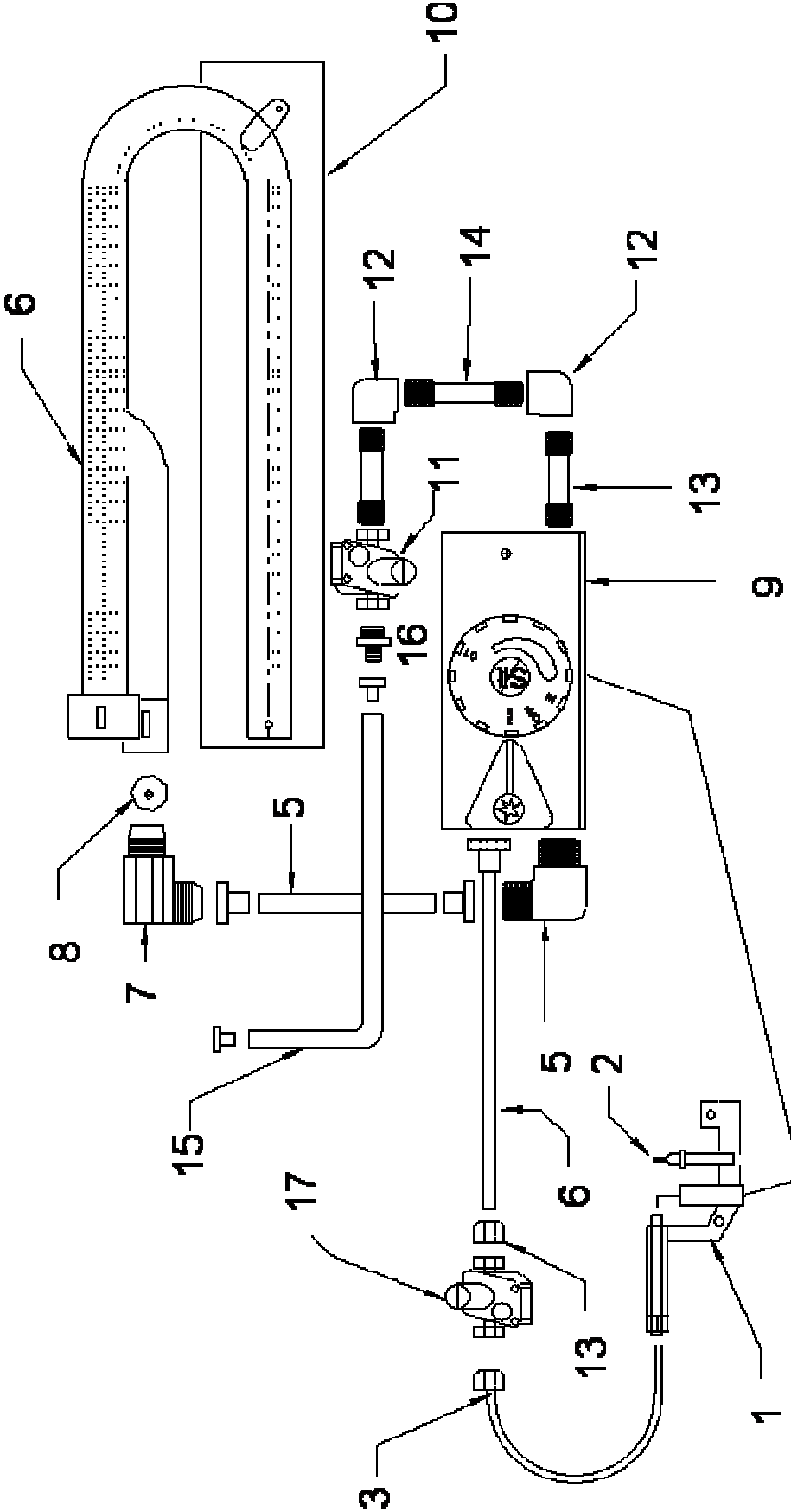


# REPLACEMENT PARTS

## SIT MODULATING OR SIT MANUAL 19GL BASE

(Picture on page 38)

KEY#	PART DESCRIPTION	PART NUMBER
1.	Pilot (NAT) Copreci	PE 2150053 - NAT
1.	Pilot (LP) Copreci	PE 2150054 - LP
2.	Thermcouple (Copreci)	PE TPT100 / 90
3.	Pilot Tube 1/4"	MF 147AL
4.	Burner Tube 3/8"	PO 3817ALMTUB
5.	3/8" x 3/8" Elbow	PH 4966
6.	Burner	PO DTBURN
7.	Orifice Holder	PO 54ORFHLD
8.	Orifice	PO ORIFICE
9.	Valve (LP) SIT (Modulating)	PE 0630504
9.	Valve (NAT) SIT (Modulating)	PE 0630504
9A.	Valve (LP) SIT (Manual)	PE0630.522
9A.	Valve (NAT) SIT (Manual)	PE0630.522
10.	Burner Base	PO 300010
11.	Valve Regulator (LP) Maxitrol	PE RV20LF90
11.	Valve Regulator (NAT) Maxitrol	PE RV20LF35
<b>Black Pipe:</b>		
12.	3/8" 90 Degree Elbows (2)	PO 3890ELB
13.	3/8" x 1-1/2" Nipples (1)	PO 38112BINIP
14.	3/8" x 3-1/2" Nipples (2)	PO 38312BINIP
15.	3/8" Supply Tube	PO 381434ALMTUB
16.	3/8" IPT Male & Female Connector	PH 4866
17.	Pilot Regulator (LP) Maxitrol	PE RV 12LF90
17.	Pilot Regulator (NAT) Maxitrol	PE RV 12LF30
<b>OTHER PARTS (NOT SHOWN)</b>		
18.	Fan Motor	PE SBRO84
19.	Power Cord	PE 400240
20.	Strain Release	PE 400320
21.	Thermostat	PE 400130
22.	Male Terminals	PE 5X428
23.	Jumper Wire 12"	PE 12JUMPER
24.	Gas Log Set	PO C-3329
25.	Fan Speed Control Label	PE KB9724
26.	Rheostat	PE BC 204
27.	Rheostat Knob	PE BC 204A
28.	Heyco 1-1/4" Grommet	PE HEYCO2883







# **NEW BUCK CORPORATION**

We reserve the right to amend these specifications at any time without notice. The only warranty applicable is our standard written warranty. We offer no other warranty, expressed or implied.

## **LIMITED WARRANTY MODEL FP-32**

New Buck warrants this product to be free from defects in materials and components for two (2) years from date of first purchase, provided that product has been properly installed, operated and maintained in accordance with all applicable instructions. To make a claim under this warranty Bill of Sale or canceled check must be presented.

This warranty is extended only to original retail purchaser and covers cost of parts required to restore heater to proper condition. Warranty parts **MUST** be obtained through an authorized Buck Stove dealer and/or New Buck, who will provide original factory replacement parts. Failure to use original factory replacement parts voids this warranty. The heater must be installed by a qualified installer in accordance with all local codes and instructions furnished with unit.

Warranty does not apply to parts that are not in original condition, normal wear and tear or parts that fail or become damaged as a result of misuse, accidents, lack of proper maintenance or defects caused by improper installation.

### **WARRANTY DOES NOT COVER:**

- Removal and re-installation cost
- Labor costs for replacements or repairs
- Transportation
- Cost of service call to diagnose trouble
- Painted surfaces
- Damage or defect caused by improper installation, accident, misuse, abuse, or alteration

**TO THE FULL EXTENT ALLOWED BY LAW OF JURISDICTION THAT GOVERNS SALE OF PRODUCT, THIS EXPRESS WARRANTY EXCLUDES ANY AND ALL OTHER EXPRESSED WARRANTIES AND LIMITS DURATION OF ANY AND ALL WARRANTIES, INCLUDING WARRANTIES OF MERCHANTABILITY AND FITNESS FOR A PARTICULAR PURPOSE TO ONE (1) YEAR FROM DATE OF FIRST PURCHASE. NEW BUCK LIABILITY IS HEREBY LIMITED TO PURCHASE PRICE OF PRODUCT AND NEW BUCK SHALL NOT BE LIABLE FOR ANY OTHER DAMAGES WHATSOEVER INCLUDING INCIDENTAL OR CONSEQUENTIAL DAMAGES.**

Some states do not allow a limitation on how long an implied warranty lasts or an exclusion or limitation of incidental or consequential damages, so above limitation on implied warranties or exclusion on damages may not apply to you.

This warranty gives you specific legal rights. Other rights may vary from state to state.

# OWNER REGISTRATION

The attached owner registration card must be completed in its entirety and mailed within 30 days from date of installation in order for warranty coverage to begin to:

New Buck Corporation  
P.O. Box 69  
Spruce Pine, NC 28777

PLEASE NOTE: Owner Registration Card must contain Authorized Buck Stove Dealer Number and Certified Installer's number (if applicable) for warranty coverage to begin.

<b>NAME:</b> _____	
<b>ADDRESS:</b> _____	
<b>CITY:</b> _____	
<b>STATE:</b> _____ <b>ZIP:</b> _____	
<b>CUSTOMER EMAIL:</b> _____	
<b>MODEL #:</b> <table border="1"><tr><td>FP-32</td></tr></table> <b>SERIAL #:</b> _____	FP-32
FP-32	
<b>DATE OF INSTALLATION:</b> _____	
<b>INSTALLER'S NAME:</b> _____	
<b>PURCHASED FROM:</b> _____	