



ADD-ON

HYDRAULIC MULTIPLIERS

Works On All Makes...

of hydraulic systems, open, closed and PFC, as well as single acting or double acting circuits. They can be used with most types of hydraulic machinery, not just tractors. Having enough outlets means less time and energy spent in the field, and more convenience for you.

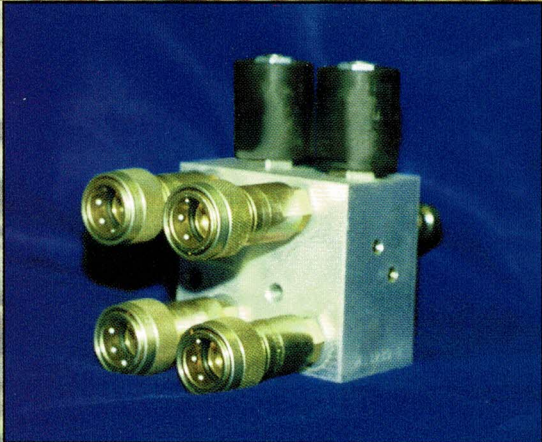
Safety Is Important!

Electrohydraulic valves provide the operator hands on control from the cab. Dangerous high pressure hydraulics, PTO shafts, and pinch points are safely avoided.

The two circuit multiplier valve plugs directly into an existing remote outlet, turning one outlet into two. Eccentric fittings allow adjustment of the male tips to provide an easy connection between remote outlet and valve.

Choose the waterproof Command Control, which mounts directly on the control lever and allows the operator to "switch on the go" or the weatherproof Switchbox, which allows either circuit to be operated or both simultaneously.

Pictured with
Command Control.



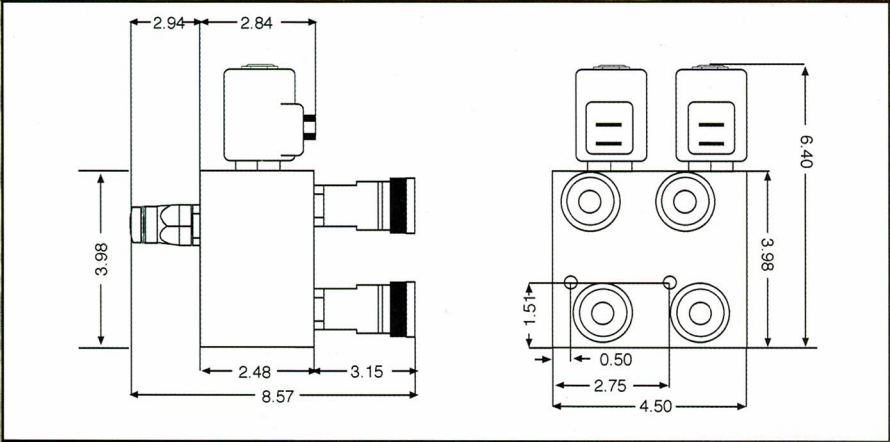
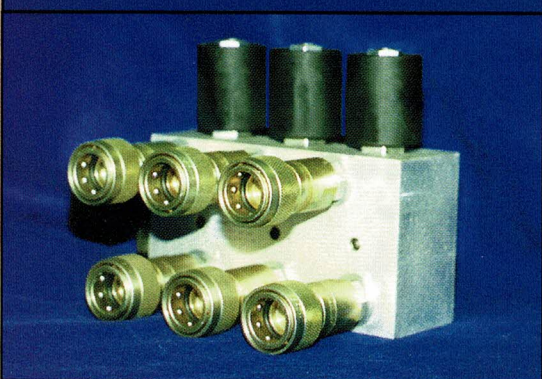
TWO CIRCUIT MULTIPLIER VALVE

Two circuit hydraulic multiplier valve. Turns one remote outlet into two, allowing the control of circuit one or two with one remote lever.

FEATURES:

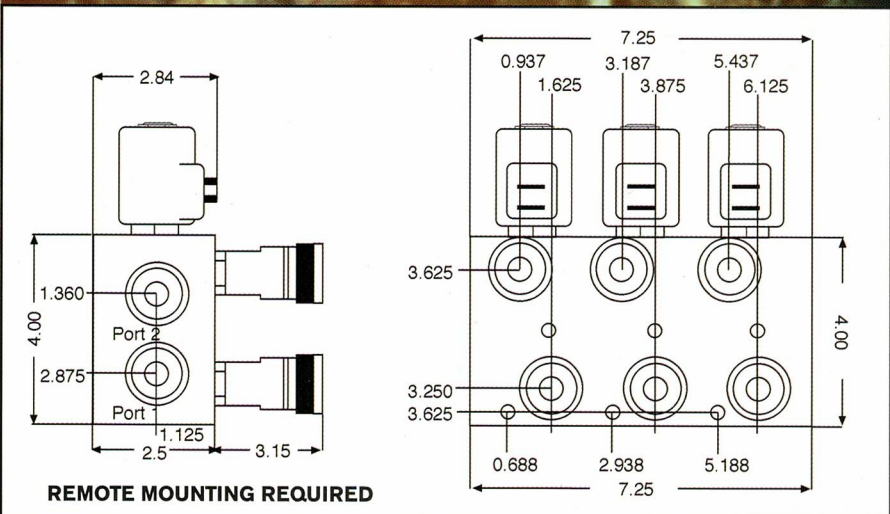
Universal	Works on all hydraulic systems
Safety	Keeps operator safely in control
Convenient	Pushbutton circuit selection
Add Value	Gives new life to old equipment
Simple	No routine required maintenance
Works	On double or single acting circuits
Eccentric Fittings	Allow easy "plug in"
Weatherproof	Valve and control

THREE CIRCUIT MULTIPLIER VALVE

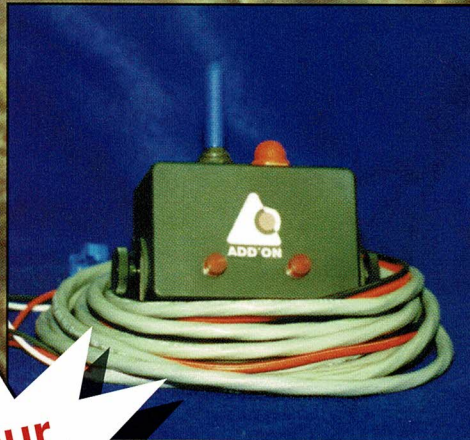
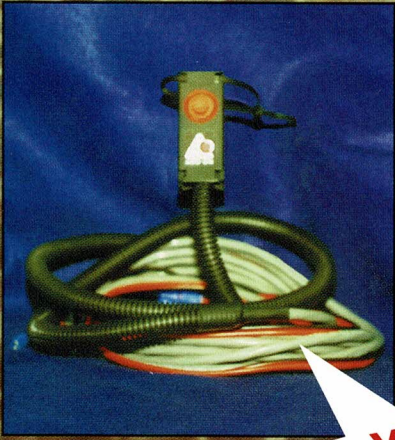


SPECIFICATIONS:

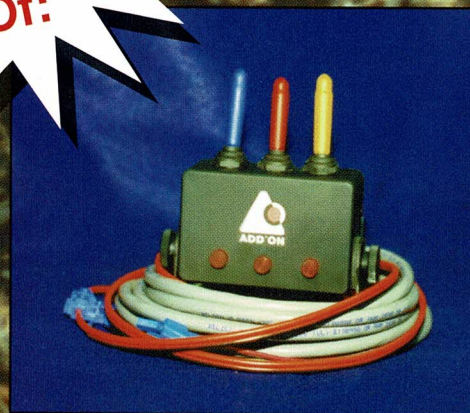
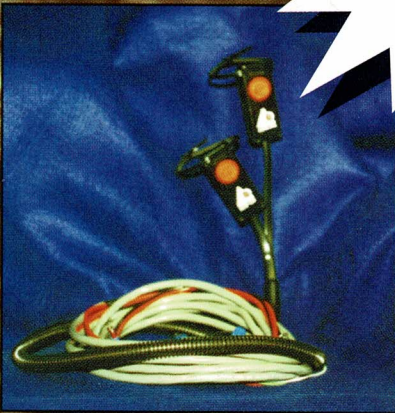
✓	Operating Pressure	3,000 PSI
✓	Hydraulic Systems, All	Open, closed, PFC
✓	Flow	0 to 15 GPM
✓	Installation	Unrestricted
✓	Temperature	-40° to 248° F
✓	Voltage	12 VDC positive or negative ground
✓	Current Draw	1.67 amps per coil
✓	Coil Duty Rating	Continuous
✓	Internal Leakage	Only 82 cc maximum @ 3,000 PSI
✓	Fluids	Mineral based and synthetic
✓	Filtration	10 microns recommended
✓	Port Size	-8 SAE O-Ring
✓	Mounting Holes	.406 DIA.



HYDRAULIC MULTIPLIERS



**Your
Choice
Of:**



Command Control Or Switchbox!

COMMAND CONTROL

- Circuit one is normally live
- Circuit two is activated only when control button is depressed. When the button is released, power automatically returns to circuit one
- Hands-on convenience
- Mounts easily to control lever for fingertip control
- Adjust on the go for sequencing
- Simple wiring harness included
- Waterproof pushbutton switch

SWITCHBOX

- The toggle switch selects either circuit 1 or circuit 2 with visual indicator lights. The pushbutton on the top of the switch box combines the circuits for operation at the same time.
- Allows for simultaneous operation of circuits
- Weatherproof enclosure with mounting bracket
- Indicator lights
- Simple wiring harness included

WITH OR WITHOUT QUICK COUPLERS

- Two circuit with quick couplers
- Three circuit with quick couplers
- Two circuit without quick couplers
- Three circuit without quick couplers
- Adapter fittings included

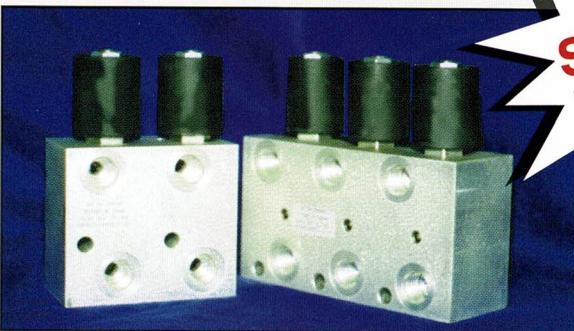


**TWO
or
THREE
Circuit
Multiplier
Valve**



STILL!
Your Choice...

**With
or
Without
Quick
Couplers**



GO!



SATISFIED CUSTOMER RESPONSES

What equipment have you used with your valve?

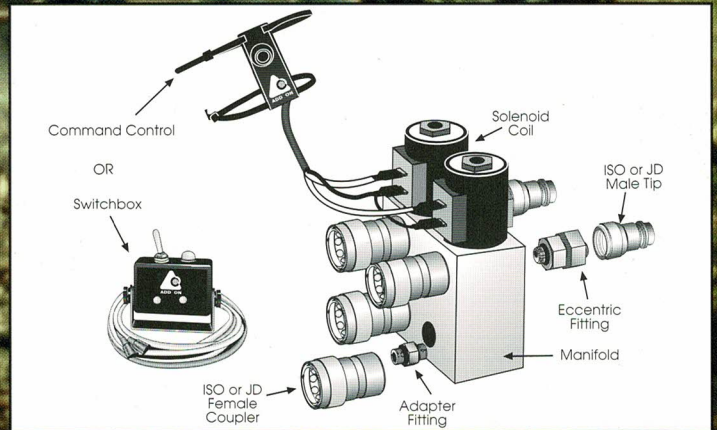
- Planter–Marker Arms
- Loader–Bucket and Grapple
- Cultivator–Wings and Lift Assist
- Sprayer–Boom Tilts, Fold
- Disc–Fold Wings
- Baler–Tie and Dump
- Etc. Etc. Etc...

P/N ORDER #	DESCRIPTION
14789	Two circuit with com. control/couplers
14790	Two circuit with switchbox/couplers
14791	Two circuit with switchbox/JD couplers
18549	Two circuit with com. control/no couplers
18550	Two circuit with switchbox/no couplers
12369	Three circuit with com. control/couplers
12370	Three circuit with switchbox/couplers
16929	Three circuit with com. control/no couplers
16930	Three circuit with switchbox/no couplers



WHY ADD-ON

- Electrohydraulics are here and now.
- Implements are getting larger...they just keep unfolding.
- Hydraulic intensive implements make most tractors “hydraulically challenged.”
- Plumbing an additional factory outlet into a tractor can cost from \$750 to over \$1,200.
- **ADD-ON** “plugs” into the remote outlet and with a push of a button or flip of a switch, doubles or triples the hydraulic outlets.
- **ADD-ON** gives the customer more choices like a Switchbox or Command Control.
- **ADD-ON** is universal, works on all hydraulic systems.
- **ADD-ON** is totally weatherproof and requires no maintenance.
- **ADD-ON** offers a complete kit.
- **ADD-ON** offers a 2 and 3 circuit unit multiplier.
- **ADD-ON** uses a 3/4-16 ORB fitting, for tips and couplers eliminating hydraulic leaks.
- **ADD-ON** can ship product today.



Distributed by: