



# EndurEnergy Systems, Inc.

Battery Unit

## ESP-BU10

Residential Storage Product  
10.24 kWh Battery Pack with BMS



Sense the Difference.  
Live the Power.

Model	ESP-BU10
Nominal Voltage	51.2 V
Working Voltage	48 V - 56 V
Recommended C rate	0.5 C
Round Trip Efficiency	97%
Recommended DoD	90%
Charge Temperature Range	32 °F to 113 °F (0 °C to 45 °C)
Discharge Temperature Range	14 °F to 122 °F (-10 °C to 50 °C)
Life Cycles	6000
Protection Level	IP55
Size (L x W x H)	22.3 x 5.7 x 45 in (566.4 x 144.8 x 1143 mm)
Enclosure Weight	62 lb (28 kg)
Battery Type	Lithium Iron Phosphate (LFP)
Warranty	10-Year
Compliance	UL9540, UL1973, CEC and SGIP listed

### Configurations (ESP-5100)

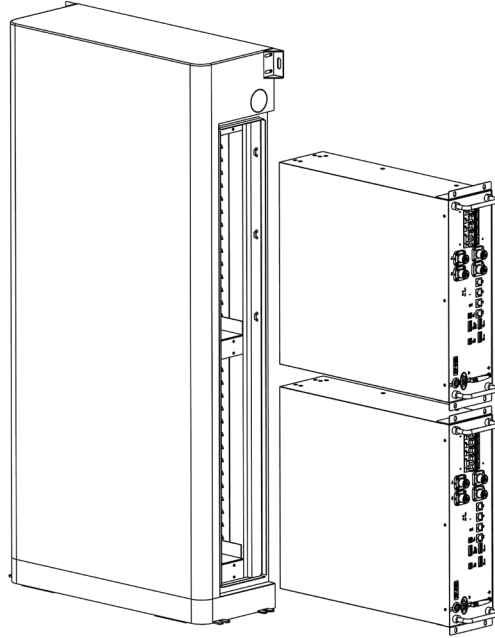
Battery Packs in Parallel	1	2
Battery Capacity	100 Ah	200 Ah
Nominal Energy	5.12 kWh	10.24 kWh
Weight	163.14 lb (74kg)	264.55 lb (120 kg)

⚡ **OUTLAST. OUTPERFORM. ENDUR™ IT ALL.** ⚡

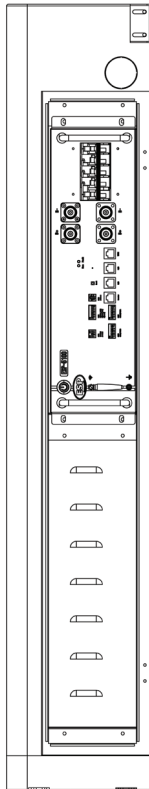
## Configurations (ESP-5K HL)

Battery Packs in Parallel	1	2
Battery Capacity	97.656 Ah	195.312 Ah
Nominal Energy	5 kWh	10 kWh
Weight	163.14 lb (74kg)	264.55 lb (120 kg)

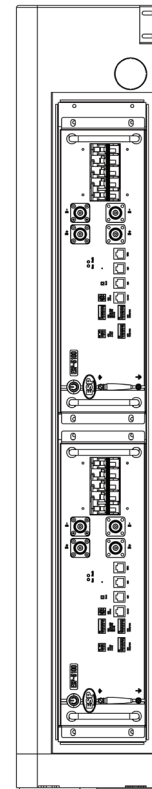
## Mechanical Drawings



Exploded View



1 Battery Pack Configuration



2 Battery Packs Configuration

⚡ **OUTLAST. OUTPERFORM. ENDUR™ IT ALL.** ⚡