



EndurEnergy Systems, Inc.

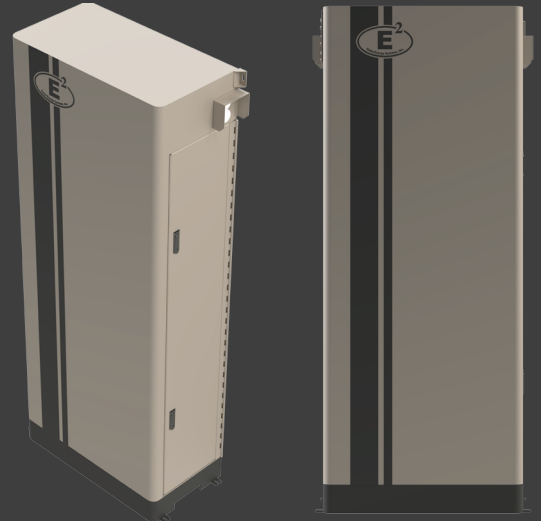
Battery Unit

# ESP-BU30 EverGuard

Outdoor Storage Product (IP65)

Active Cooled Enclosure

Up to 30.72 kWh Battery Packs with BMS



Sense the Difference.  
Live the Power.

| Model                       | ESP-BU30 EverGuard                                  |
|-----------------------------|---|
| Dimensions (H x W x D)      | 71.7 x 32.5 x 15.3 inches (1821 x 825 x 389 mm)     |
| Weight                      | 176 lb (80 kg)                                      |
| Equipment Mounting Capacity | 6 ESP-5K HL / 6 ESP-5100                            |
| Material                    | Steel   |
| Color and finish            | Gray and Black / Powder Coated                      |
| Protection Level            | IP65  |
| Cooling                     | Fan cooled 108 CFM (184 m <sup>3</sup> /hr) @120VAC |
| Warranty                    | 10-Year   |
| Compliance                  | IEC60529, UL9540, UL1973, CEC and SGIP              |

### Configurations (ESP-5100)

| Battery Packs In Parallel | 1         | 2         | 3         | 4         | 5         | 6         |
|---------------------------|-----------|-----------|-----------|-----------|-----------|-----------|
| Storage Capacity          | 100 Ah    | 200 Ah    | 300 Ah    | 400 Ah    | 500 Ah    | 600 Ah    |
| Working Voltage           | 48V - 56V | 48V - 56V | 48V - 56V | 48V - 56V | 48V - 56V | 48V - 56V |
| Nominal Energy            | 5.12 kWh  | 10.24 kWh | 15.36 kWh | 20.48 kWh | 25.6 kWh  | 30.72 kWh |
| Weight (lb)               | 277.8 lb  | 379.2 lb  | 480.6 lb  | 582 lb    | 683.4 lb  | 784.8 lb  |
| Weight (kg)               | 126 kg    | 172 kg    | 218 kg    | 264 kg    | 310 kg    | 356 kg    |

### Configurations (ESP-5K HL)

| Battery Packs In Parallel | 1         | 2         | 3         | 4         | 5         | 6         |
|---------------------------|-----------|-----------|-----------|-----------|-----------|-----------|
| Storage Capacity          | 100 Ah    | 200 Ah    | 300 Ah    | 400 Ah    | 500 Ah    | 600 Ah    |
| Working Voltage           | 48V - 56V | 48V - 56V | 48V - 56V | 48V - 56V | 48V - 56V | 48V - 56V |
| Nominal Energy            | 5 kWh     | 10 kWh    | 15 kWh    | 20 kWh    | 25 kWh    | 30 kWh    |
| Weight (lb)               | 277.8 lb  | 379.2 lb  | 480.6 lb  | 582 lb    | 683.4 lb  | 784.8 lb  |
| Weight (kg)               | 126 kg    | 172 kg    | 218 kg    | 264 kg    | 310 kg    | 356 kg    |

⚡ **OUTLAST. OUTPERFORM. ENDUR™ IT ALL.** ⚡

EndurEnergy Systems, Inc.

©2024 EndurEnergy Systems, Inc. All rights reserved. All specifications are subject to change without notice.

1-888-E<sup>2</sup>-ENDUR (323-6387) • endurenergy.com • sales@endurenergy.com • support@endurenergy.com

Rev. A 02/01/24

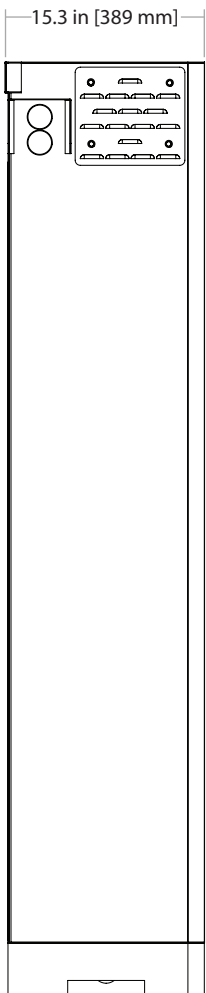


EndurEnergy Systems, Inc.

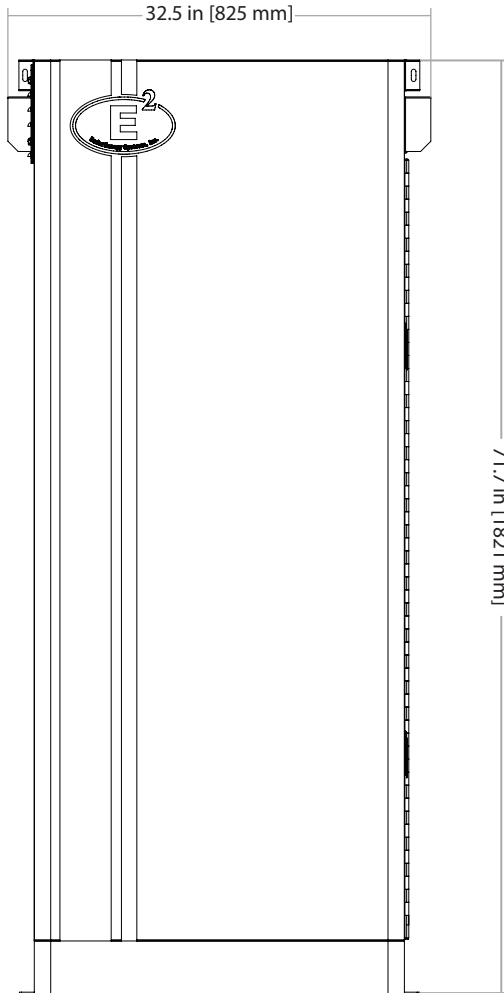
**Configurations (ESP-5KHL)**

| Battery Packs In Series | 1         | 2          | 3           | 4           | 5           | 6           |
|-------------------------|-----------|------------|-------------|-------------|-------------|-------------|
| Storage Capacity        | 100 Ah    | 100 Ah     | 100 Ah      | 100 Ah      | 100 Ah      | 100 Ah      |
| Working Voltage         | 48V - 56V | 96V - 112V | 144V - 168V | 192V - 224V | 240V - 280V | 288V - 336V |
| Nominal Energy          | 5 kWh     | 10 kWh     | 15 kWh      | 20 kWh      | 25 kWh      | 30 kWh      |
| Weight (lb)             | 277.8 lb  | 379.2 lb   | 480.6 lb    | 582 lb      | 683.4 lb    | 784.8 lb    |
| Weight (kg)             | 126 kg    | 172 kg     | 218 kg      | 264 kg      | 310 kg      | 356 kg      |

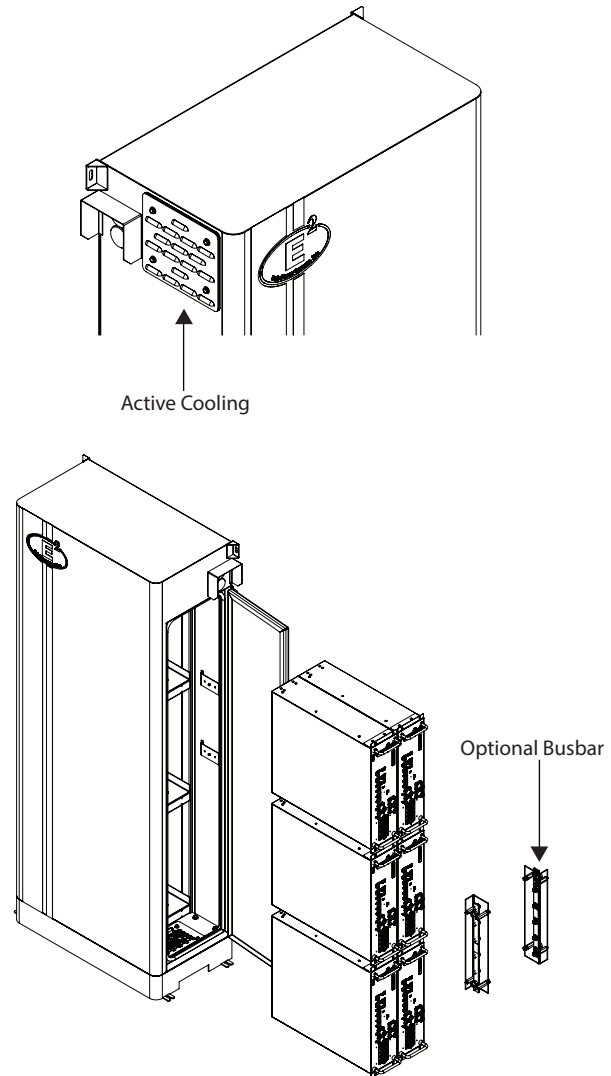
**Mechanical Drawings**



Front View



Side View



Assembly Exploded View

**⚡ OUTLAST. OUTPERFORM. ENDUR™ IT ALL. ⚡**