

2019 BC-1MD

BY BCROASTERS.COM

The BC-1 MD is a great roaster for the advanced home roaster or a sample or small coffee shop roaster. It can roast from 4oz. to 1lb. per roast and up to 4 roasts per hour. It was built with the same components of the big commercial roasters but due to size has only one Omron control for BT. An optional PHIDGET kit can be added to data log both ET & BT and up to 2 more components. Due to size we could not add variable drum speed control but it has the advanced and precise airflow control via the MDDS (manual damper) system.

Solid heavy-duty stainless steel drum and built in profiling system for BT. Direct-Connect chaff unit for efficiency & reduced footprint.



BC-1MD	GAS TYPE
Batch Size	4oz-1lb.
Roasting Time	9-14 minutes
Production	4-5lb.hr
Heat Source	NG/LPG
Voltage	220V
Wattage	100W
Drum Motor	25W
Chaff Fan Motor	45W
Cooling Fan Motor	30W
MIXING ARM	N/A
BTU	10,000
NG PRESSURE	7WC
LPG PRESSURE	MAX. 16WC
Gas Consumption	0.1kg/hr
Roaster Dim.	26x17x24in.
Roaster Weight	62lb.
Package Dimensions	apx.31x25x26 128lb.

FEATURES

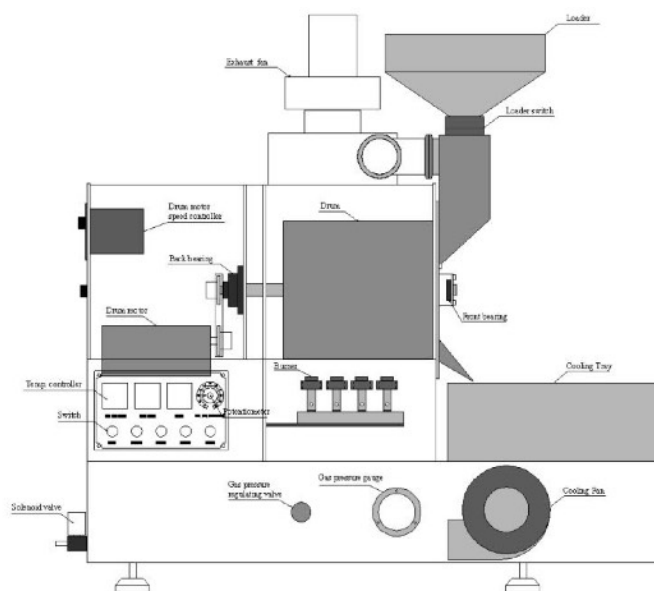
DRUM TYPE
DATA LOGGING
THERMOCOUPLES
CONTROL PANEL
PHIDGET KIT
WARRANTY
PARTS AVAILABLE
110V CONVERTER

Single wall 304SS Drum 3mm
1 OMRON CONTROLS w/BT
K-TYPE for BT
BT VEIW ON PANEL
OPTIONAL KIT FOR BT & ET
1 YEAR PARTS & INSTRUCTION
10 Year Parts Available Guarantee
110V Voltage Converter included.

THE BC-1 MD IS A HEAVY DUTY ROASTER BUILT WITH A CARBON STEEL BODY WITH APPROVED POWDER COAT HIGH TEMPERATURE BODY IN BLACK. THE HOUSINGS COME IN A CHOICE OF 4 COLORS (Gold, Rose Gold, Black Titanium & Stainless) In two type finishes (MIRROR or MATTE)



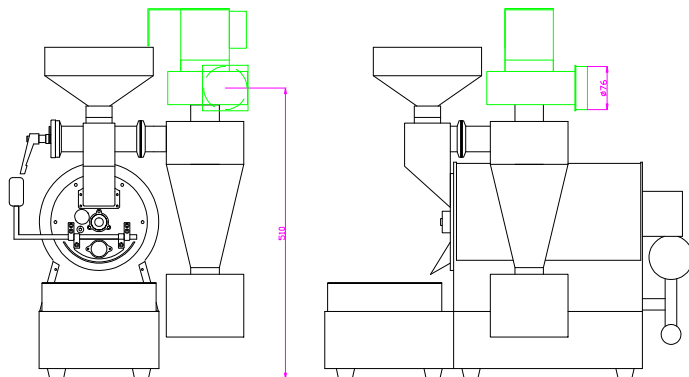
NEW FOR 2018!
MDDS AIRFLOW SYSTEM
FOR PRECISE AIRFLOW



ACTUAL BC-1 HAS ONLY ONE OMRON CONTROL FOR BT. Optional Phidget Kit for more temperature probes available



THE BC 1 HAS ONLY ONE 76MM OR 3" EXHAUST PIPE OFF CHAFF UNIT



ONLY ONE EXHAUST PIPE COMES OFF THE BC-1 AT 3" AS SHOWN BELOW AND CAN BE EXHAUSTED OUT OF BUILDING.