

2023/24 BC-3.5 (HD) SW & DW

KEEPING AHEAD OF THE ROAST!

THE 2023/24 BC-3.5 HD BRINGS FORWARD 10 YEARS OF ADVANCEMENTS IN COMMERCIAL COFFEE ROASTING. THIS YEAR WE ADD **THREE NEW KEY FEATURES** TO AID THE ROASTMASTER WITH EASIER CONTROL & MAINTENANCE DURING AND AFTER THE ROAST. WE HAVE ADDED A NEW FRONT BEARING SYSTEM THAT ALLOWS FOR EASY DRUM ADJUSTMENTS ON THE FLY WHEN NEEDED. ALSO WE ADDED A BACK DRUM CHAFF WHEEL THAT ALLOWS QUICK RELEASE OF BEAN LOAD IN THE EVENT OF A POWER OUTAGE. WE ALSO UPGRADED THE DATA LOGGER COMPUTER CHIP ALLOWING YOU TO RECORD ARTISAN VIA BLUETOOTH DIRECT TO YOUR COMPUTER WITHOUT THE NEED FOR A BT DONGLE. ONE MORE PLUS: A NEW IGNITER MODULE HAS BEEN ADDED. THE RESULTS ARE MORE CONTROL DURING THE ROAST.

HERE ARE MORE DETAILS ABOUT THE BC-3.5:

THE BC-3.5 SW & DW IS ABLE TO ROAST UP TO 3.5LB. PER ROAST. IT IS A GREAT ROASTER FOR A COFFEE SHOP OR A HOME STARTUP BUSINESS. THESE COME IN YOUR CHOICE OF SINGLE OR DOUBLE WALL DRUM ROASTERS. THE DW MODEL CAN ROAST FROM 8OZ. TO 3.5LB. (SW-16OZ TO 3.5LB.) PER ROAST AND UP TO 5 ROASTS PER HOUR ON OUR GAS MODELS. IT WAS BUILT WITH THE SAME COMPONENTS AS THE BIG COMMERCIAL ROASTERS. IT HAS ALL THE FEATURES MOST COMPANIES CHARGE EXTRA FOR BUILT RIGHT INTO THE BASE PRICE. SOLID HEAVY-DUTY STAINLESS STEEL DRUMS IN SINGLE OR DOUBLE WALL AND BUILT IN PROFILING SYSTEM FOR BT & ET. DIRECT-CONNECT CHAFF UNIT FOR EFFICIENCY & REDUCED FOOTPRINT. COMES IN CHOICE OF GAS OR ALL ELECTRIC. NOW MORE THAN EVER IT'S TIME TO **"GET YOUR ROAST ON!"**



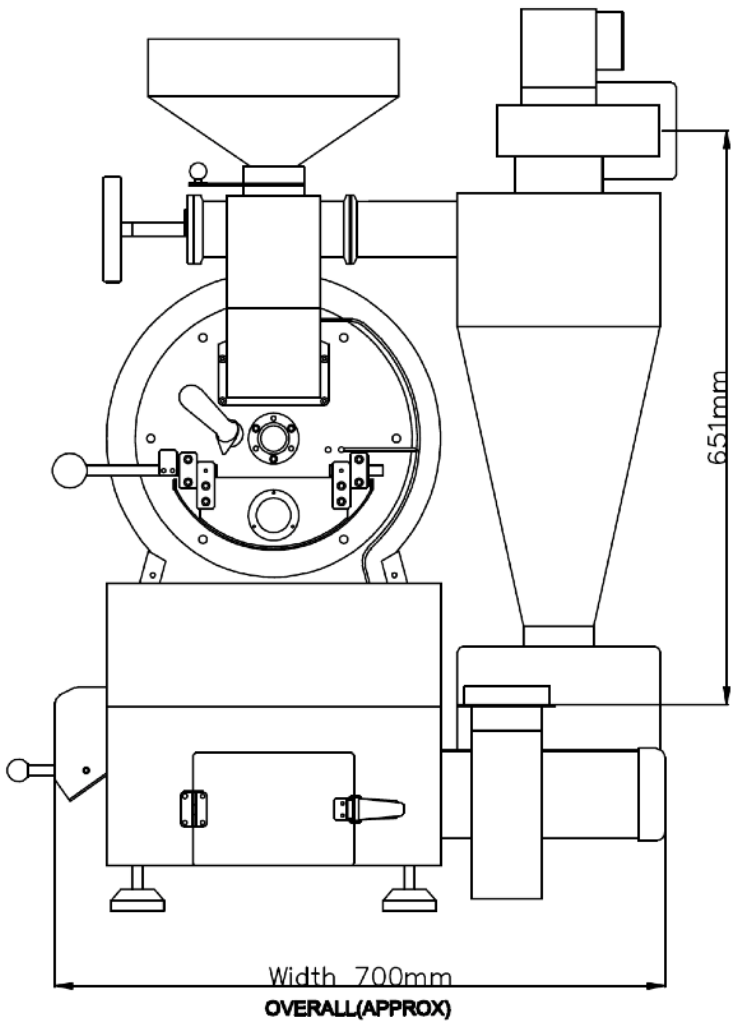
BY BCROASTERS.COM

SPEC SHEET

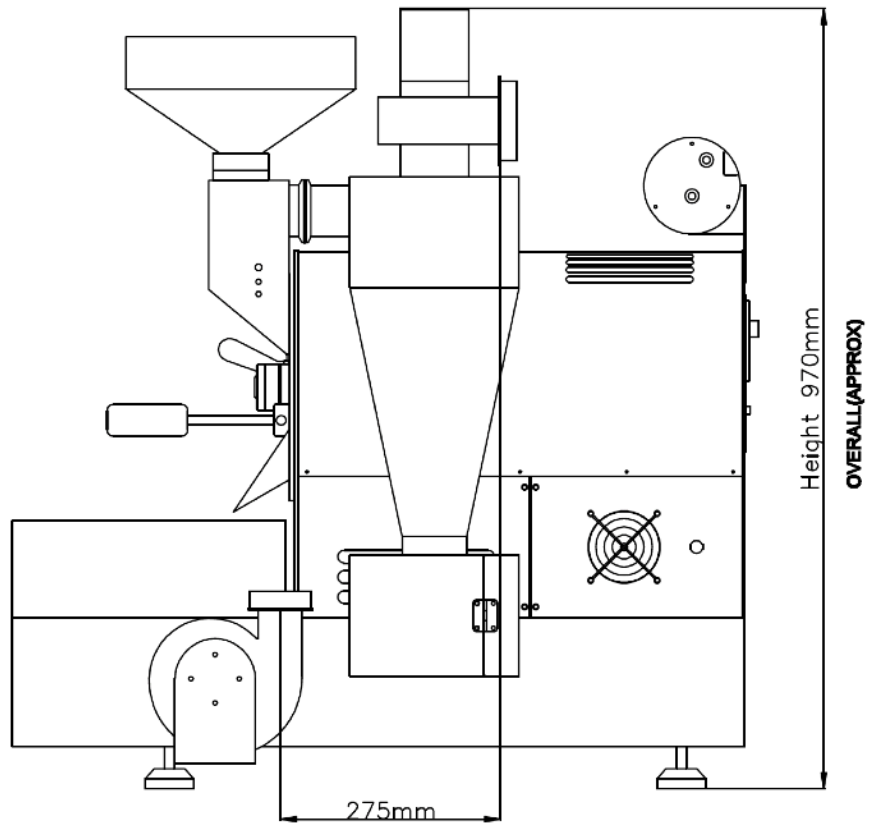
BC-3.5MD	GAS TYPE	ELEC. TYPE
Batch Size	8oz-3.5lb	8oz-3lb.
Roasting Time	9-14 minutes	15min.
Production	14-18b.hr	9-12
Heat Source	NG/LPG	electric
Voltage	220V	220V
Wattage	240W	4240W
Drum Motor	60W	60W
Chaff Fan Motor	60W	45W
Cooling Fan Motor	60W	60W
MIXING ARM	15W	15W
BTU	30-35,000	
NG PRESSURE	Recommended 7WC	
LPG PRESSURE	MAX.18WC	
Gas Consumption	0.3KG/hr .	
Roaster Dim.	38x28x35 Inches	
Roaster Weight	140KG 307lb.	
Crate Dim	48x33x43 (LxWxH)	
Crate weight	168Kg 370lb.	

FEATURES

SINGLE & DOUBLE WALL OPTIONS
 COMPUTER PROFILING VIA USB OR BT
 TWO 3mm THICK K TYPE THERMOCOUPLES
 COMPLETE DETAILS ON CONTROL PANEL
 1 YEAR PARTS AND INSTRUCTION WARRANTY

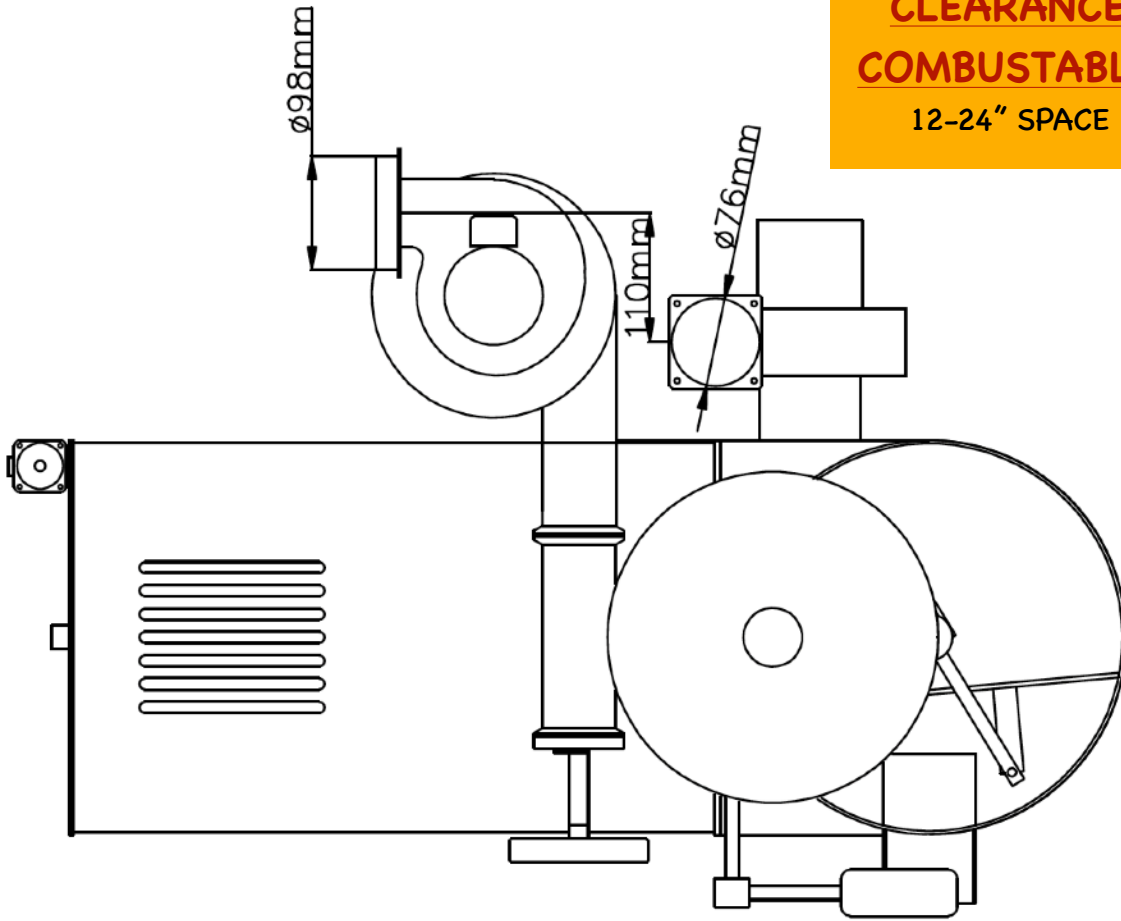


BC-3.5 SIZE:
950x700x970mm
38x28x35in.
(LxWxH)



**CLEARANCE FROM ALL
COMBUSTABLE SURFACES**

12-24" SPACE ON ALL SIDES



COLOR CHOICES:

**RED OR BLACK BODIES
(9 Housing Color Choices)**

SOLID COLORS



ROSE GOLD



STAINLESS

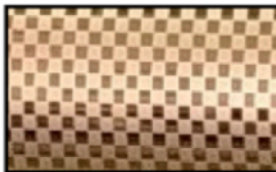


BLACK TITANIUM

CHECKERED



**CHECKERED
BLACK**



**CHECKERED
GOLD**



**CHECKERED
SILVER**

**SILVER
RAINDROP**

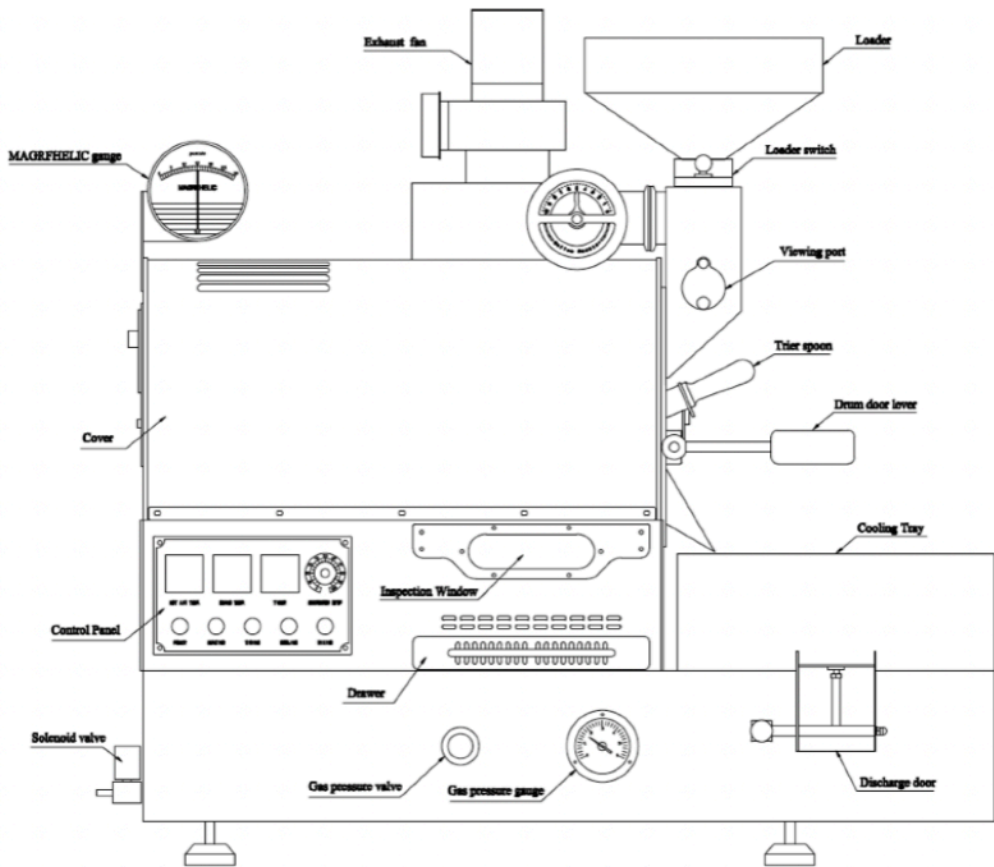
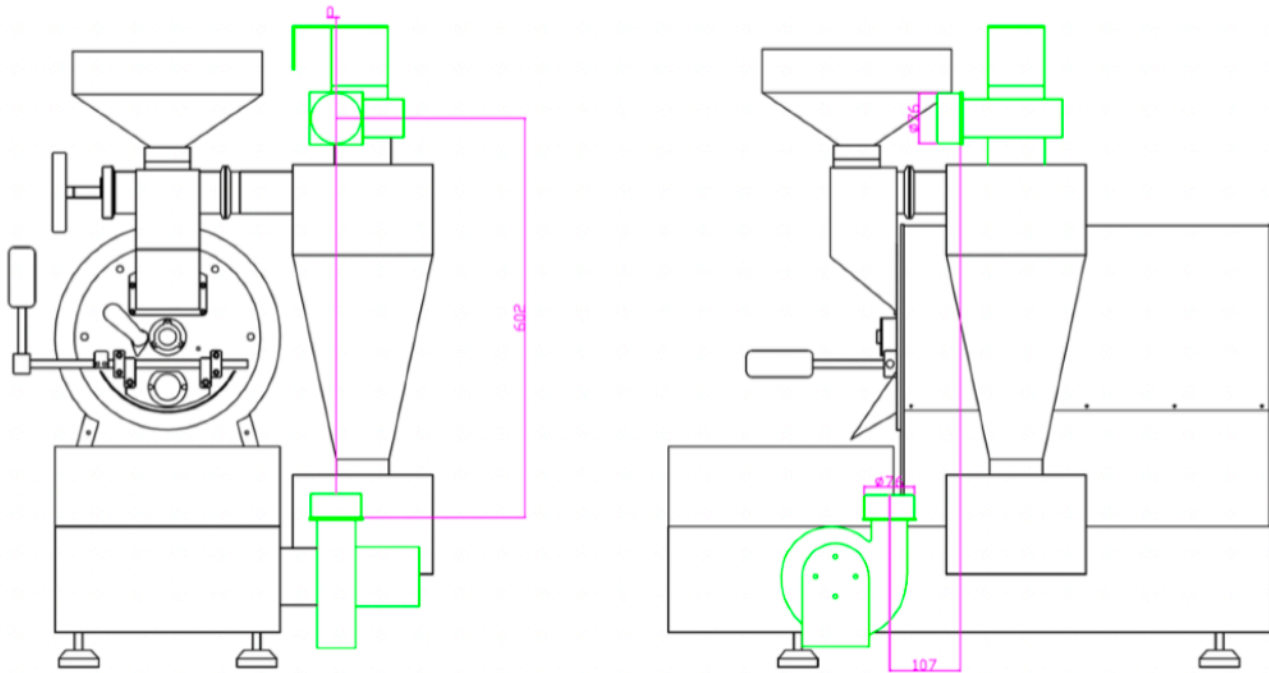


GOLD RAINDROP



**NEW FOR 2022:
HAMMERED GOLD**





BC-3.5 COMMERCIAL COFFEE ROASTER

- *TABLETOP OR STAND MODEL (18-24" STAND SUGGESTED)
- *DIRECT CONNECT CHAFF UNIT FOR SMALLER FOOTPRINT
- *CHOICE OF ALL ELECTRIC OR GAS MODELS

SIZE SETUP (LxWxH)	38x25x37" (LxWxH) INCLUDES DIRECT CONNECT CHAFF UNIT IN MEASUREMENT
WEIGHT	307LB
MINIMUM CLEARANCE FROM COMBUSTABLE MATERIALS	18-24"
ROASTING CAPACITY	1 LB TO 3.5LB SINGLE WALL 8OZ TO 3.5LB DOUBLE WALL
ROAST TIME & ROASTS PER HOUR	9-14 MINUTES (5 ROASTS PER HOUR GAS. 3.5 PER HOUR ELECTRIC)
DRUM INFORMATION	SW DRUM: 4MM SUPERIOR 304SS CONTAINS 18% CHROMIUM AND 8% NICKEL DW DRUM: HAS TWO LAYERS OF 2MM 304SS WITH 4MM OF AIR CUSHION. SS WELDING
ELECTRIC STATS:	GAS MODEL: SINGLE PHASE 220V 50/60HZ 225W REQUIRES STANDARD 15A BREAKER ALL ELECTRIC MODELS: SINGLE PHASE 220V 50/60HZ 5225W REQUIRES 30A DEDICATED BREAKER
ELECTRICAL PLUG TYPE	GAS MODELS: 20A 250V 3 WIRE NEMA 6-20P ELECTRIC TYPE: LOCKING PLUG 250V 30A NEMA L6-30P
FUEL CHOICES ON GAS MODELS	LPG GAS STANDARD WITH MODELS. NATURAL GAS CONVERSION KITS OFFERED FOR CUSTOMER INSTALLATION ONLY.
BURNER INFORMATION ON GAS MODELS	SW BURNERS: 6 STANDARD HD BURNERS DW BURNERS: 8 STANDARD HD BURNERS
BTU REQUIRMENTS	30,000 BTU MINIMUM REQUIRED FOR NG LINE
GAS PRESSURE	LPG: 12-16WC (3-4KPA) MARSHALL 1912/197 REGULATOR RECOMMENDED NG: 7-14WC
EXHAUST PIPE SIZE	100MM (4") OFF CHAFF UNIT. 76MM (3" OFF COOLING TRAY)



OPTIONAL COOLING TRAY COVERS

COOLING TRAY COVERS PROTECT HANDS AND KEEP PRODUCT SANITARY ESPECIALLY WHEN ROASTERS ARE LOCATED IN COFFEE SHOPS AND WAREHOUSES.

EXHAUST SETUP	
EXHAUST PIPE REQUIREMENTS	POSITIVE PRESSURE EXHAUST VENTING WITH MINIMUM CLEARANCE 18-24" FROM COMBUSTABLE MATERIALS
MAXIMUM VENTING LENGTHS	20-25' FROM CHAFF UNIT. DEDUCT 3-5' FOR 45-90 DEGREE PIPE ELBOWS. IF YOU MUST VENT AT LONGER LENGTHS CONSULT A LOCAL TECHNICIAN ON USE OF POSSIBLE BOOSTER FANS
MAXIMUM EXHAUST TEMPERATURES	425-475F
CHAFF UNIT HIGH TEMP.	300-350F
COOLING TRAY HIGH TEMP.	200F
DATA LOGGING VIA ARTISAN OR CROPSTER	BUILT IN DATA LOGGER ATTACHES TO COMPUTER (PC OR MAC) VIA USB OR BLUETOOTH
K TYPE THERMOCOUPLES	BT & ET WITH TWO ADDITIONAL PREDRILLED CAPPED THREADED HOLES TO ADD OR ADJUST LOCATION OF PROBES
MANUFACTURED IN CHINA FOR BC ROASTERS	CUSTOM BUILT FOR BC SPECS IN USA AND OVER 200 LANDS

IMPORTANT NOTE ON EXHAUST SETUP OF THE NEW HD LINE OF ROASTERS:

THE NEW 2022 HD LINE OF ROASTERS INTRODUCED IN 2021 FEATURE A NEW HEAVY DUTY CHAFF FAN. THIS FAN HAS AN EXHAUST PIPE OF 100MM. THEREFORE IT REQUIRES A 4" PIPE TO ATTACH TO THE CHAFF EXHAUST (OTHER MODELS THAT ARE NOT THE NEW HD LINE USE A 3" PIPE)

YOU MAY CHOOSE TO GET A 4 PIPE TO RUN AS MAIN EXHAUST OFF CHAFF UNIT. 3" EXHAUST OFF COOLING TRAY

COMPUTER DATA LOGGING VIA ARTISAN SOFTWARE

RECORD ROASTS VIA USB OR BLUETOOTH TO DUPLICATE PROFILES USING ARTISAN SOFTWARE.



BUCKEYE COFFEE IS A PROUD MONTHLY SPONSOR OF ARTISAN SOFTWARE

ARTISAN SOFTWARE

Do your part to Keep Artisan Alive and Well.

Donate to Artisan Here:

<https://artisan-scope.org/donate/>

DO YOUR PART!

CONSIDER ARTISAN PLUS

<https://shop.artisan.plus>



artisan+

BCROASTERS.COM BC ROASTERS WAREHOUSE: AVONDALE, AZ 85323 info@BuckeyeCoffee.com

WWW.BCROASTERS.COM

**BC ROASTERS
BUCKEYE, ARIZONA 85326
TONOPAH, ARIZONA 85354**

**TOLL FREE: 844.522.6333
INFO@BUCKEYECOFFEE.COM**