

2023 BC-2 SW & DW AIR

BY BCROASTERS.COM

SPEC SHEET

THE 2023 BC-2 NOW COMES STANDARD WITH THE MAG AIRFLOW GAUGE ON ALL MODELS. AND SINCE 2022 THE BC-2 NOW COMES IN YOUR CHOICE OF SINGLE WALL OR DOUBLE WALL DRUM OPTIONS. IT IS A GREAT ROASTER FOR A SMALL COFFEE SHOP OR AS A SAMPLE ROASTER AND FOR ADVANCED HOME ROASTING. IT CAN ROAST FROM 4OZ. TO 2LB. PER ROAST AND UP TO 4-5 ROASTS PER HOUR. IT HAS ALL THE FEATURES OF THE BIG COMMERCIAL ROASTERS EXCEPT MIXING ARMS FOR THE COOLING TRAY AS THAT IS NOT NEEDED WITH ITS POWERFUL COOLING TRAY FAN MOTOR IT CAN COOL BEANS IN 2-3 MINUTES. IT HAS 2 OMRON DIGITAL TEMPERATURE CONTROLS ON THE PANEL FOR QUICK VIEWING OF BOTH BT & ET. IT HAS VARIABLE DRUM SPEED CONTROL AND PRECISE AIRFLOW CONTROL VIA THE MDDS (MANUAL DAMPER) SYSTEM. IT COMES STANDARD WITH A SOLID HEAVY-DUTY SINGLE WALL STAINLESS STEEL DRUM OR THE NEW DOUBLE WALL DRUM OPTION. IT HAS ITS OWN BUILT IN PROFILING SYSTEM. ALSO A DIRECT-CONNECT CHAFF UNIT FOR EFFICIENCY & REDUCED FOOTPRINT. AN LED LAMP PROVIDES ILLUMINATED VIEWING. IN 3 BODY COLOR CHOICES: BLACK, WHITE OR RED! NEW 3MM THICK THERMOCOUPLES WERE ADDED SINCE THE 2021 MODEL!

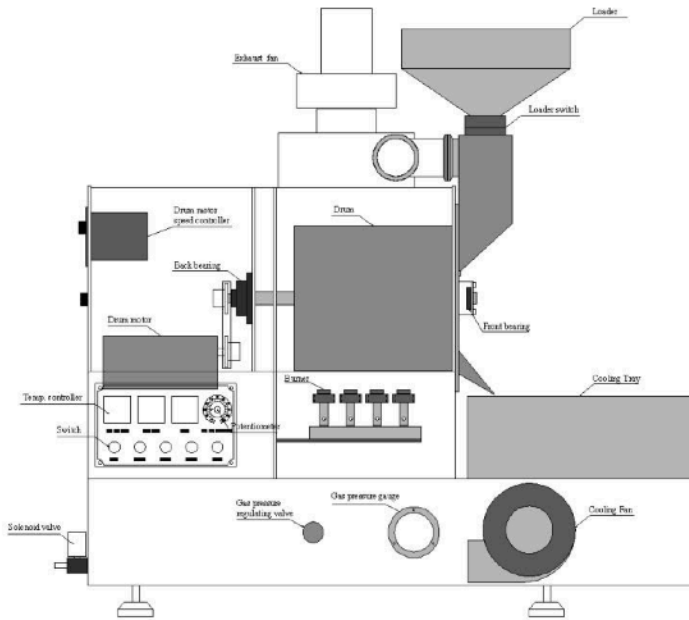


FEATURES

DRUM TYPE
DATA LOGGING
THERMOCOUPLES
CONTROL PANEL
MAG AIRFLOW
WARRANTY
PARTS AVAILABLE
110V CONVERTER

SINGLE OR DOUBLE WALL 304SS DRUM
COMPUTER PROFILING VIA USB OR BT
2 K TYPE FOR BT & ET
ALL INFORMATION DISPLAYED ON PANEL
COMES WITH MAG AIRFLOW GAUGE
1 YEAR PARTS & INSTRUCTION
10 YEAR PARTS AVAILABLE GUARANTEE
110V VOLTAGE CONVERTER INCLUDED.

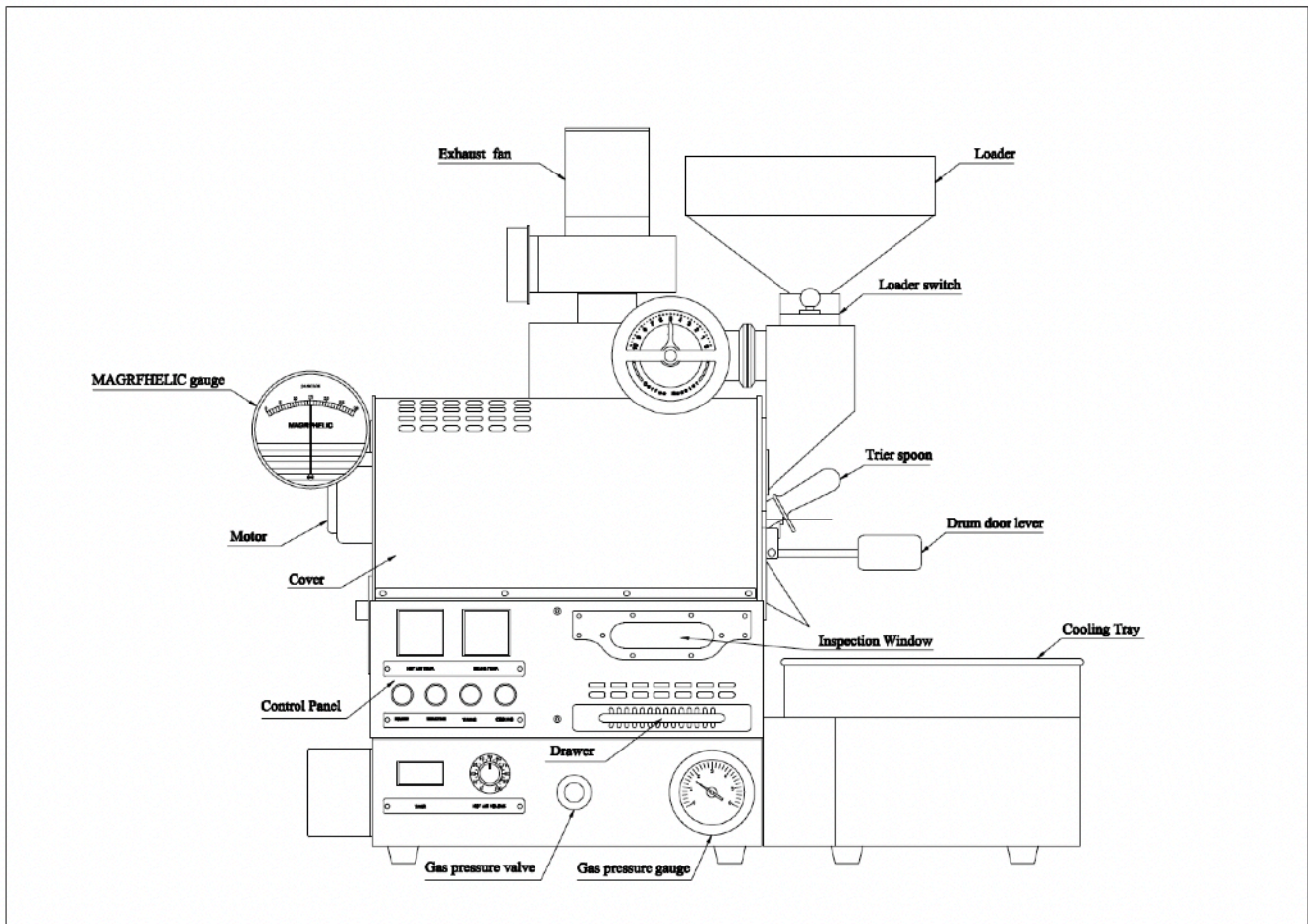
BC-2 AIR	GAS TYPE
Batch Size	4oz-2lb.
Roasting Time	9-14 minutes
Production	8-10lb.hr
Heat Source	NG/LPG
Voltage	220V
Wattage	170W
Drum Motor	25W
Chaff Fan Motor	45W
Cooling Fan Motor	50W
MIXING ARM	N/A
BTU	15,000
NG PRESSURE	7WC
LPG PRESSURE	MAX. 16WC
Gas Consumption	0.1kg/hr .22lb HR
Roaster Dim.	810x486x710MM 32x19x28 In.
Roaster Weight	60kg./132lb.
Package Dimensions	37x26x31 (LxWxH)
Package weight	91Kg/200lb.

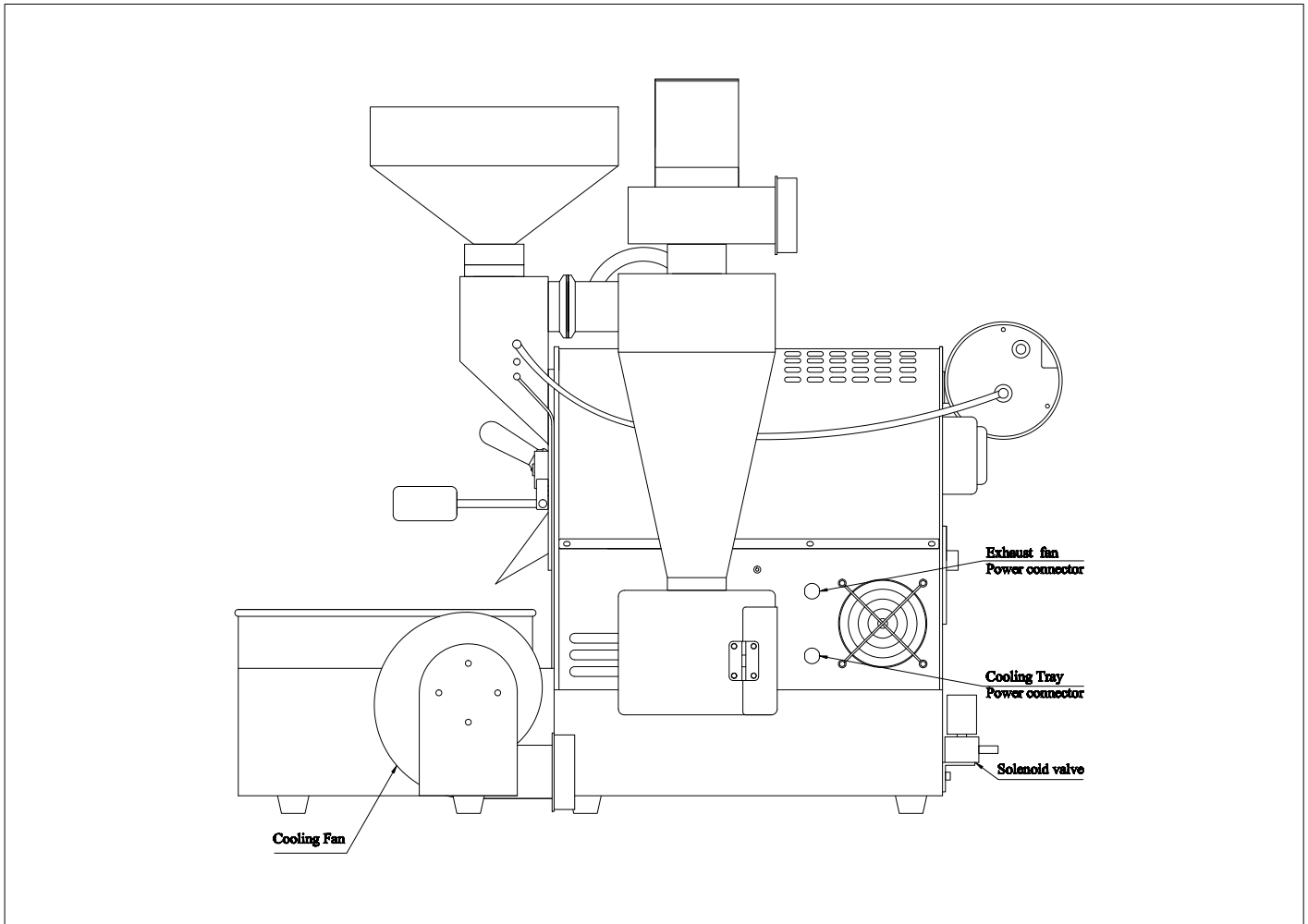


THE BC-2 IS A HEAVY DUTY ROASTER BUILT WITH A CARBON STEEL BODY WITH APPROVED POWDER COAT HIGH TEMPERATURE BODY IN BLACK, WHITE OR RED . THE HOUSINGS COME IN A CHOICE OF 4 COLORS AS LISTED BELOW.

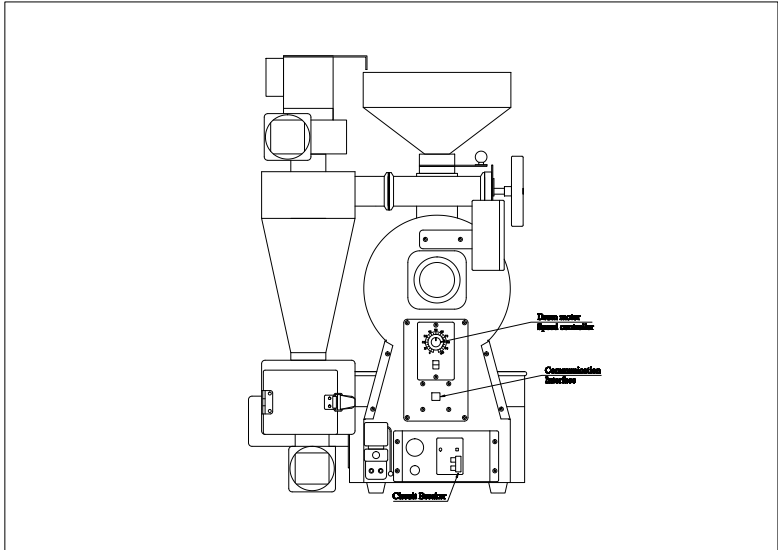
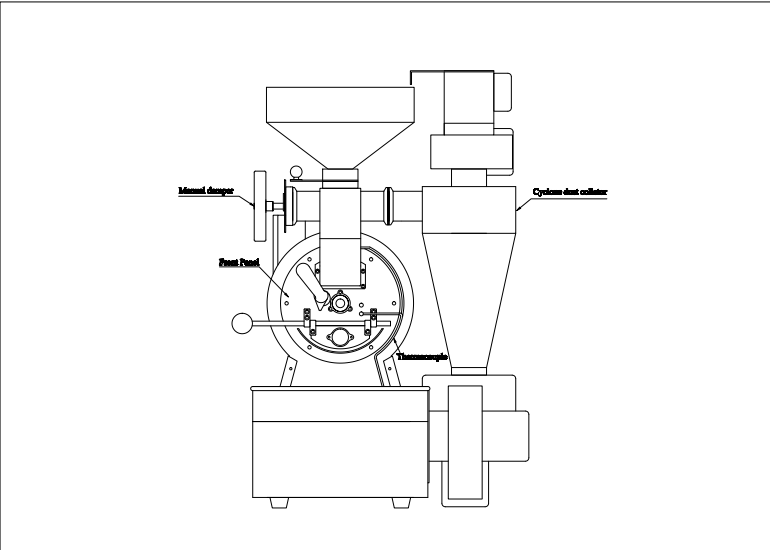
TWO EXHAUST PIPES COMES OFF THE BC-2 AT 3" EACH AS SHOWN BELOW AND MUST BE EXHAUSTED OUT OF BUILDING.

SHOWN BELOW WITH MAG AIRFLOW GAUGE KIT





THE BC-2 NOW HAS 3MM THERMOCOUPLE PROBES



THE BC-2 COMES IN 3 BODY COLOR CHOICES: BLACK, RED or WHITE.

THERE ARE SEVERAL HOUSING COLOR CHOICES AS LISTED AND DISPLAYED BELOW:

BC COLORS 2022

BC ROASTERS NOW COME IN 3 BODY COLORS:
BLACK, RED & WHITE



**BLACK BODY WITH BLACK
CHECKERED HOUSING**



**RED BODY WITH GOLD
CHECKERED HOUSING**



**WHITE BODY WITH
ROSE GOLD HOUSING**

SOLID COLORS



ROSE GOLD



STAINLESS



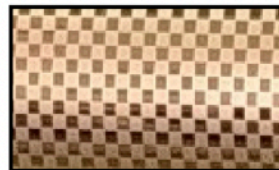
BLACK TITANIUM

TEXTURED HOUSINGS

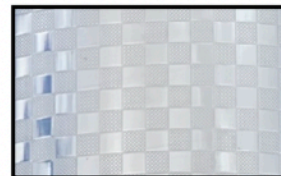
CHECKERED



**CHECKERED
BLACK**



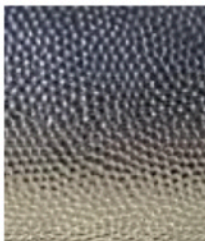
**CHECKERED
GOLD**



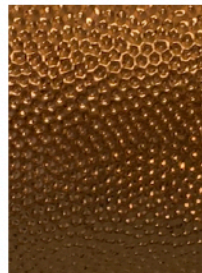
**CHECKERED
SILVER**

**NEW FOR
2021 & 2022**

**SILVER
RAINDROP**



GOLD RAINDROP



**NEW FOR 2022:
HAMMERED GOLD**



BC-2 COMMERCIAL COFFEE ROASTER

*TABLE TOP MODEL
*DIRECT CONNECT CHAFF UNIT FOR SMALLER FOOTPRINT
*CHOICE GAS MODELS

SIZE (LxWxH)	32X19X28" (LxWxH) (INCLUDES DIRECT CONNECT CHAFF UNIT IN MEASUREMENT)
WEIGHT	60kg./132lb.
MINIMUM CLEARANCE FROM COMBUSTABLE MATERIALS	12-24"
ROASTING CAPACITY	3 OZ UP TO 2LB.
ROAST TIME & ROASTS PER HOUR	9-14 MINUTES (4-5 ROASTS PER HOUR)
DRUM INFORMATION	<p>SW DRUM: 3MM SUPERIOR 304SS CONTAINS 18% CHROMIUM AND 8% NICKEL</p> <p>DW DRUM: HAS TWO LAYERS OF 304SS THAT ARE EACH 2MM WITH A 2MM AIR CUSHION BETWEEN BOTH LAYERS. TOTAL THICKNESS 6MM</p>
ELECTRIC STATS:	<p>GAS MODEL: SINGLE PHASE 220V 50/60HZ 170W REQUIRES STANDARD 15A BREAKER. A FREE 110 VOLTAGE CONVERTER IS PROVIDED WITH EACH ROASTER TO RUN ON A TYPICAL 15A 110-120 BREAKER IN USA & CANADA</p>
ELECTRICAL PLUG TYPE	GAS MODELS: 20A 250V 3 WIRE NEMA 6-20P
FUEL CHOICES ON GAS MODELS	LPG GAS STANDARD WITH MODELS. NATURAL GAS CONVERSION KITS OFFERED FOR CUSTOMER INSTALLATION ONLY.
BURNER INFORMATION ON GAS MODELS	3 HIGH EFFICIENCY BURNERS PROVIDE
BTU REQUIRMENTS	12,000-15,000 BTU MINIMUM REQUIRED FOR NG LINE
GAS PRESSURE	<p>LPG: 12-16WC (3-4KPA) MARSHALL 1912/197 REGULATOR RECOMMENDED</p> <p>NG: 7-14WC</p>

EXHAUST SETUP	
EXHAUST PIPE REQUIREMENTS	POSITIVE PRESSURE EXHAUST VENTING WITH MINIMUM CLEARANCE 12-24" FROM COMBUSTABLE MATERIALS
MAXIMUM VENTING LENGTHS	20' FROM CHAFF UNIT. DEDUCT 3-5' FOR 45-90 DEGREE PIPE ELBOWS. IF YOU MUST VENT AT LONGER LENGTHS CONSULT A LOCAL TECHNICIAN ON USE OF POSSIBLE BOOSTER FANS
MAXIMUM EXHAUST TEMPERATURES	425-475F
CHAFF UNIT HIGH TEMP.	300-350F
COOLING TRAY HIGH TEMP.	200F
DATA LOGGING VIA ARTISAN OR CROPSTER	BUILT IN DATA LOGGER ATTACHES TO COMPUTER (PC OR MAC) VIA USB OR BLUETOOTH
K TYPE THERMOCOUPLES	BT & ET WITH TWO ADDITIONAL PREDRILLED CAPPED THREADED HOLES TO ADD OR ADJUST LOCATION OF PROBES. 3MM THICK PROBES
MANUFACTURED IN CHINA FOR BC ROASTERS	CUSTOM BUILT FOR BC SPECS IN USA AND OVER 200 LANDS



FOR MORE INFORMATION SEE:

BCROASTERS.COM

HTTP://WWW.BUCKEYECOFFEE.COM/BC-COFFEE-ROASTERS.HTML

**BC ROASTERS
BUCKEYE, ARIZONA 85326
TONOPAH, ARIZONA 85354**

**TOLL FREE: 844.522.6333
INFO@BUCKEYECOFFEE.COM
INFO@BCROASTERS.COM**