

2022 BC-25 HD SW & DW

BY BCROASTERS.COM

THE BC-25 HD IS THE WORKHORSE IN THE BC LINE. IT WILL ROAST UP TO 125LB. PER HOUR. IT FEATURES EASY TO USE CONTROL PANEL WITH BUILT IN SAFETY FEATURES SUCH AS PILOT LIGHT, EMERGENCY SHUT OFF CONTROL AND MANY OTHER FEATURES TO ENSURE SAFE OPERATION. COMPLETE AIRFLOW CONTROL VIA THE MDDS AIRFLOW SYSTEM. LED LAMP TO LIGHT THE WAY AND LOCKING CASTERS TO MAKE FOR EASY MOVING AND SETUP. DIRECT CONNECT CHAFF UNIT FOR REDUCED FOOTPRINT AND GREATER EFFICIENCY.

THE 2022 MODEL ADDS MORE HEAVY DUTY FEATURES SUCH AS A NEW HD CHAFF FAN AND HD GAS GAUGE PLUS NEW CUSTOM MADE 3MM THICK THERMOCOUPLES FOR QUICK RESPONSE. A MAG AIRFLOW GAUGE IS INCLUDED & YOU CAN ALSO ADD AN OPTIONAL COOLING TRAY COVER.



BC-25 HD	GAS TYPE
Batch Size	6-25lb.
Roasting Time	10-15 minutes
Production	96-125lb.hr
Heat Source	NG/LPG
Voltage	220V
Wattage	1200W
Drum Motor	200W
Chaff Fan Motor	370W
Cooling Fan Motor	370W
MIXING ARM	90W
BTU	140,000
NG PRESSURE	7-14WC
LPG PRESSURE	MAX. 16-20WC
Gas Consumption	1.2kg/hr
Roaster Dim.	66x42x74 (LxWxH)
Roaster Weight	1254lb.
Package Dimensions	71x46x65 1365lb.

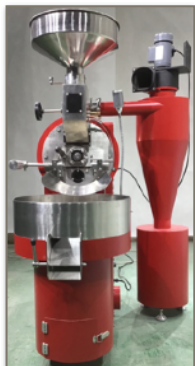
FEATURES

DRUM TYPE
DATA LOGGING
THERMOCOUPLES
CONTROL PANEL
WARRANTY
PARTS AVAILABLE

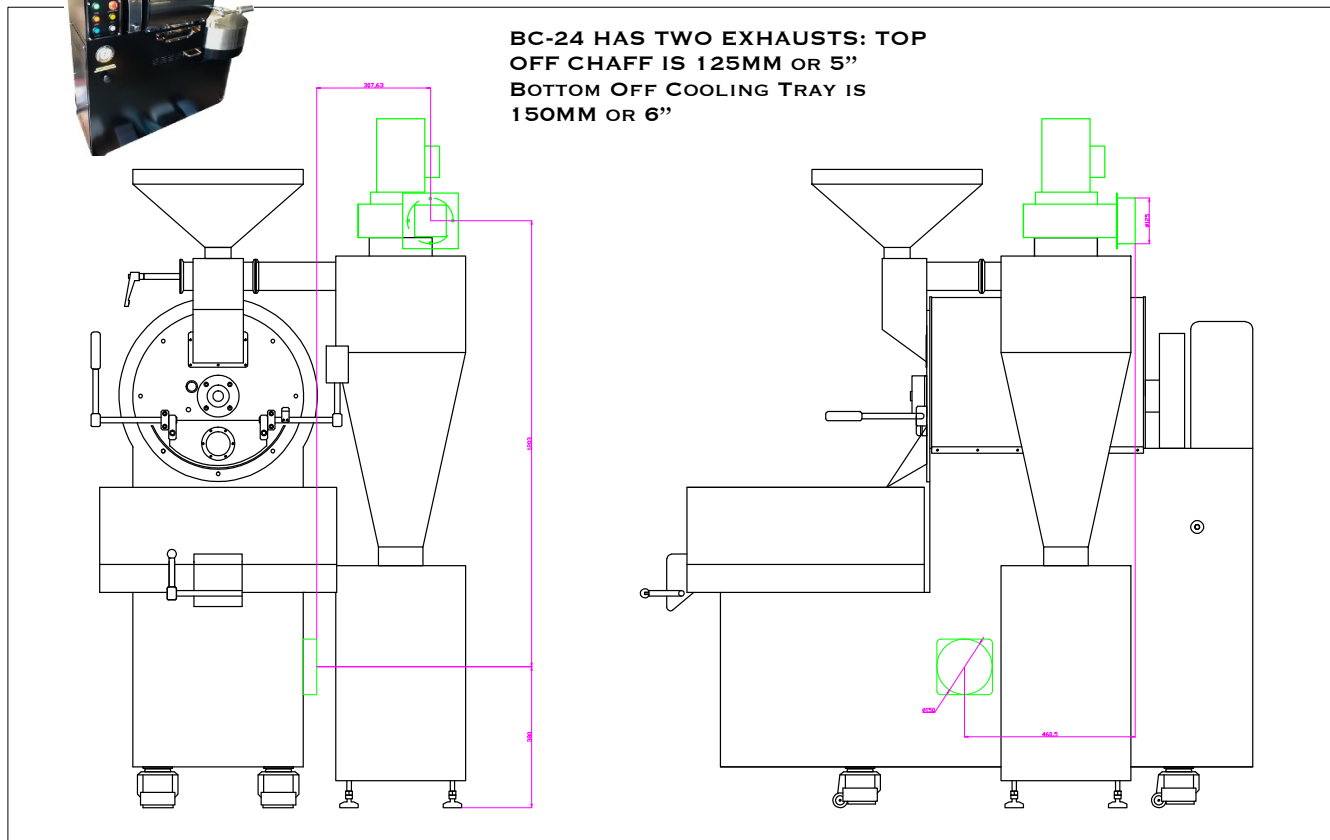
Single or DW 304SS Drum
2 OMRON CONTROLS w/BT & ET
K-TYPE for BT & ET
BT & ET VIEW ON PANEL
1 YEAR PARTS & INSTRUCTION
10 Year Parts Available Guarantee

APPROVED POWDER COAT HIGH TEMPERATURE BODY IN BLACK, WHITE OR RED. THE HOUSINGS COME IN A CHOICE OF 3 COLORS (ROSE GOLD, BLACK TITANIUM & STAINLESS) ALSO NEW TEXTURE HOUSINGS: CHECKERED GOLD, BLACK OR SILVER

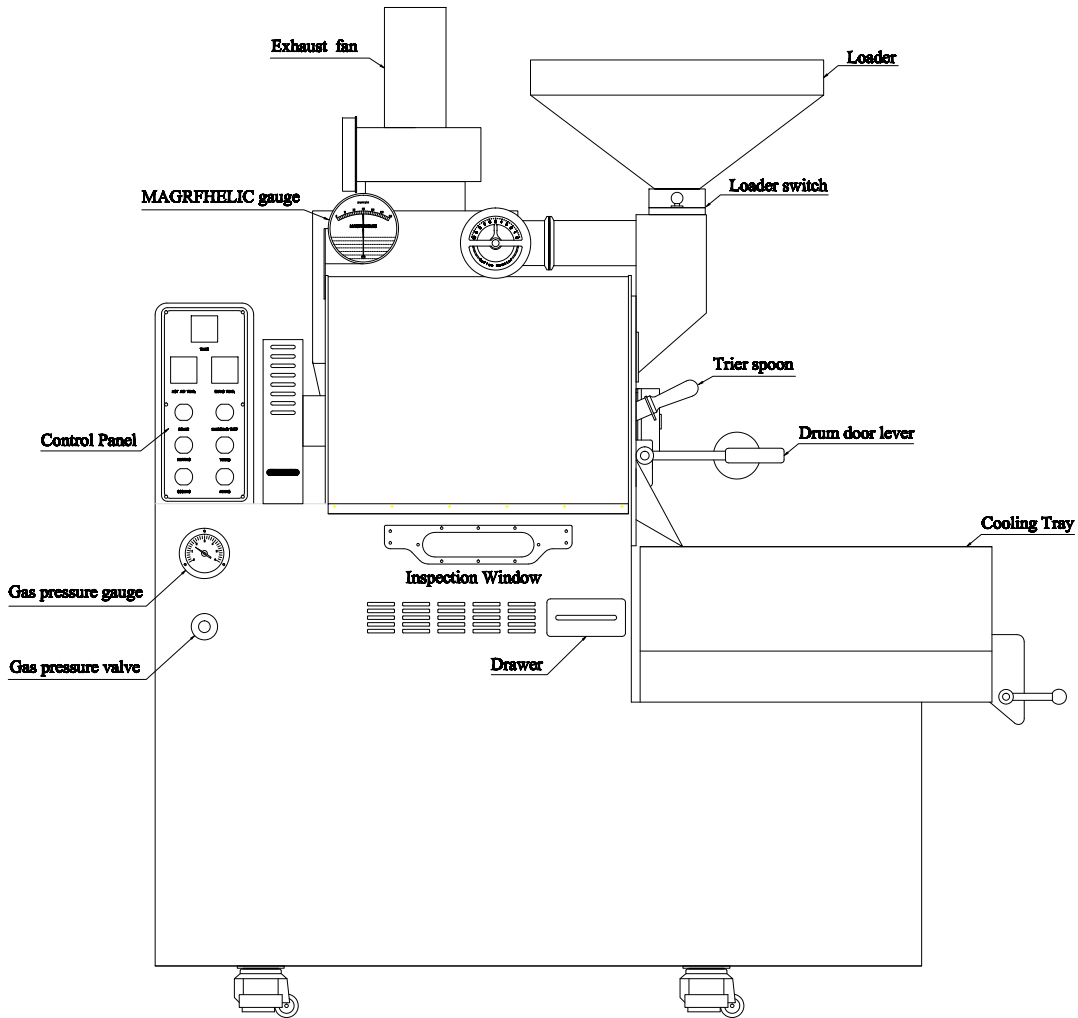
TWO EXHAUST PIPES COMES OFF THE BC-25 AT 5" & 6" AS SHOWN BELOW AND CAN BE EXHAUSTED OUT OF BUILDING SEPARATELY OR CONNECTED WITH A BLAST OR BACKDRAFT DAMPER.



BODIES IN CHOICE OF BLACK, RED OR WHITE COLORS

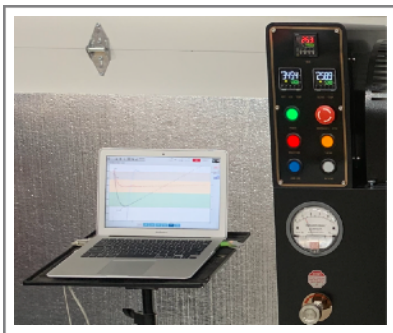


SHOWN IN DRAWING WITH OPTIONAL MAG AIR GAUGE



COMPUTER DATA LOGGING VIA ARTISAN SOFTWARE

RECORD ROASTS VIA USB OR BLUETOOTH TO DUPLICATE PROFILES USING ARTISAN SOFTWARE.



ARTISAN SOFTWARE

Do your part to Keep Artisan Alive
and Well.

Donate to Artisan Here:

<https://artisan-scope.org/donate/>

DO YOUR PART!

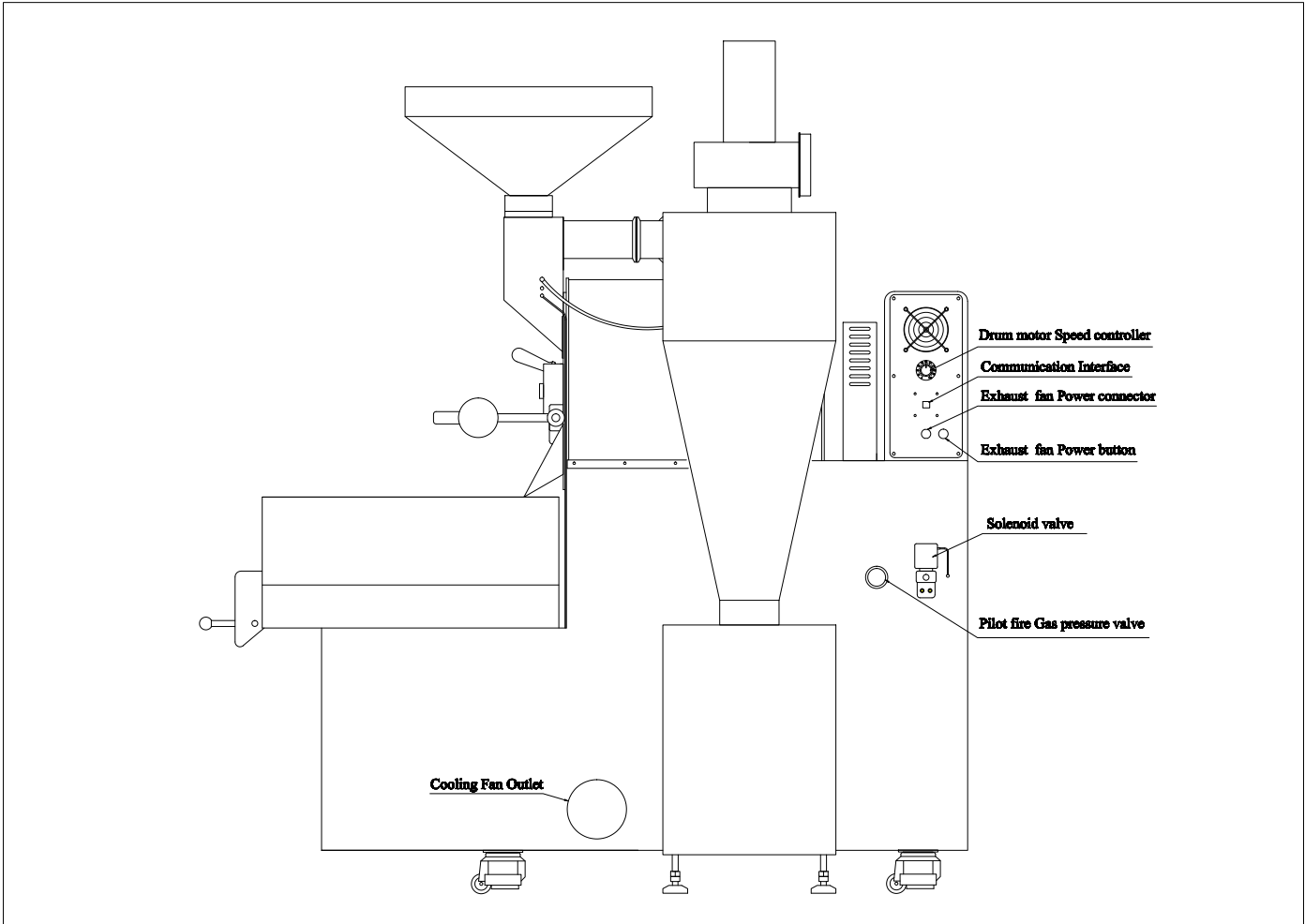
CONSIDER ARTISAN PLUS

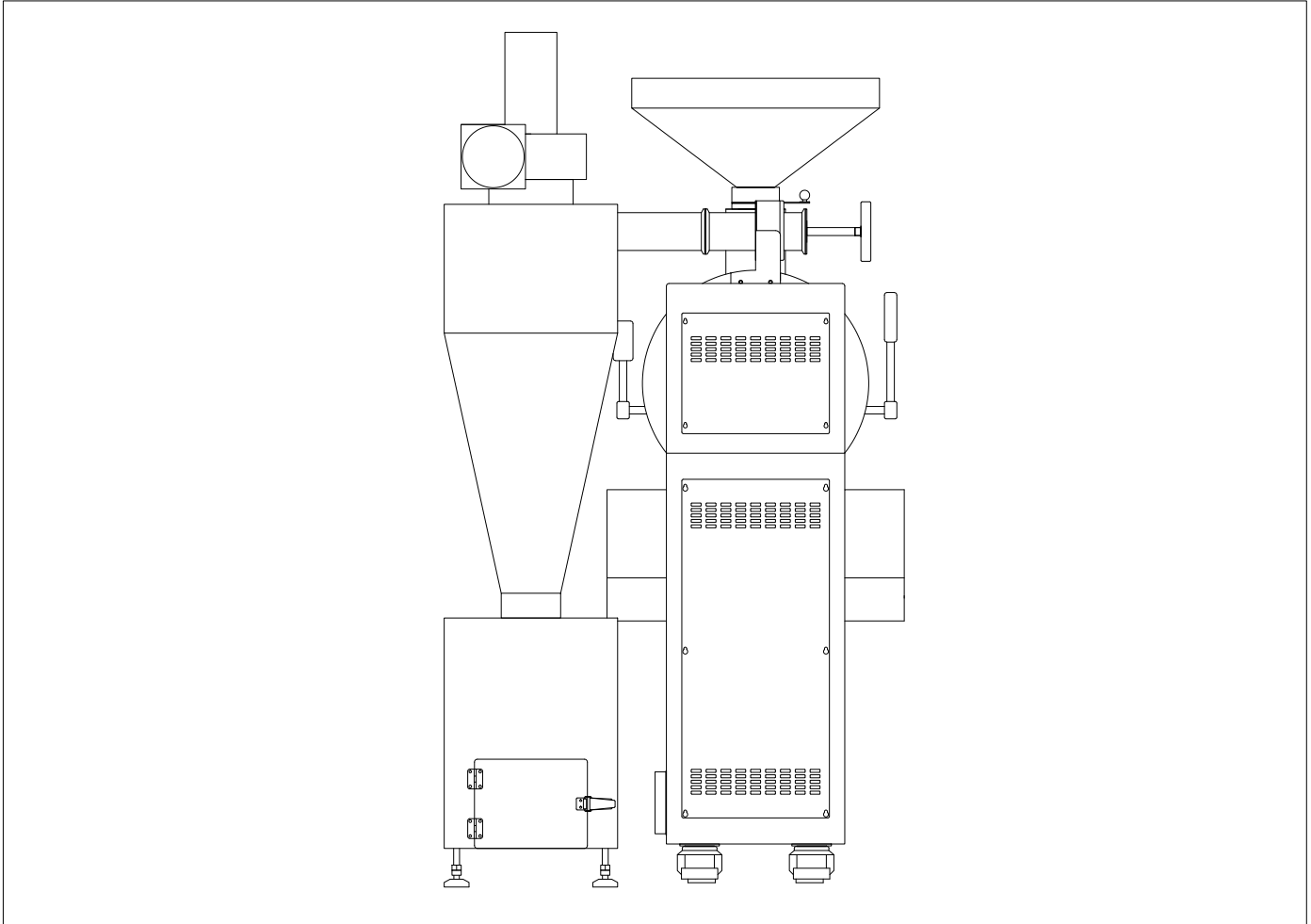
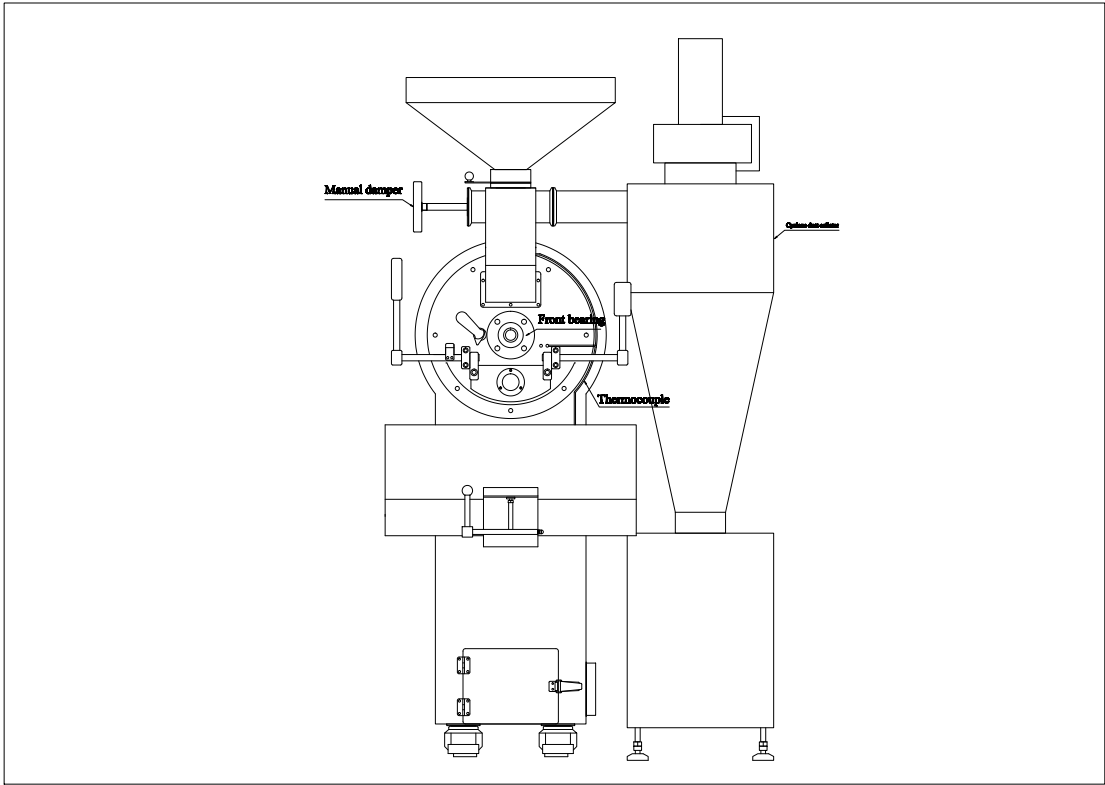
<https://shop.artisan.plus>



artisan+

BUCKEYE COFFEE IS A PROUD MONTHLY
SPONSOR OF ARTISAN SOFTWARE





**BC ROASTERS NOW COME IN 3 BODY COLORS:
BLACK, RED & WHITE**



**BLACK BODY WITH BLACK
CHECKERED HOUSING**



**RED BODY WITH GOLD
CHECKERED HOUSING**

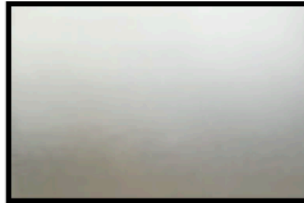


**WHITE BODY WITH
ROSE GOLD HOUSING**

SOLID COLORS



ROSE GOLD



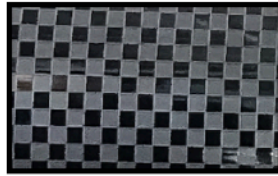
STAINLESS



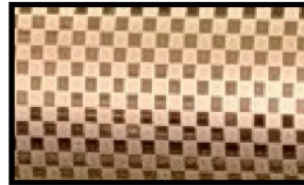
BLACK TITANIUM

TEXTURED HOUSINGS

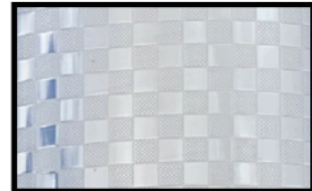
CHECKERED



**CHECKERED
BLACK**



**CHECKERED
GOLD**



**CHECKERED
SILVER**

NEW FOR 2021

**SILVER
RAINDROP**



**GOLD
MOSAIC**



BODY COLORS:

BLACK, RED OR WHITE

SOLID HOUSING COLORS: ROSE GOLD, BLACK TITANIUM, STAINLESS

TEXTURE HOUSINGS: CHECKERED GOLD, CHECKERED BLACK OR CHECKERED SILVER

NEW!: SILVER RAINDROP & GOLD MOSAIC

BC-25 COMMERCIAL COFFEE ROASTER

- *FLOOR MODEL WITH HD CASTER WHEELS
- *DIRECT CONNECT CHAFF UNIT FOR SMALLER FOOTPRINT
- *CHOICE OF ALL ELECTRIC OR GAS MODELS

SIZE (LxWxH)	66x42x74"
WEIGHT	1254LB
MINIMUM CLEARANCE FROM COMBUSTABLE MATERIALS	18-24"
ROASTING CAPACITY	5-25LB SINGLE WALL 2 TO 25LB DOUBLE WALL
ROAST TIME & ROASTS PER HOUR	9-14 MINUTES (5 ROASTS PER HOUR GAS. 3.5 PER HOUR ELECTRIC)
DRUM INFORMATION	SW DRUM: 5MM SUPERIOR 304SS CONTAINS 18% CHROMIUM AND 8% NICKEL DW DRUM: HAS TWO LAYERS: ONE OF 3MM & ONE 2MM 304SS WITH 6MM OF AIR CUSHION. SS WELDING (11MM TOTAL THICKNESS ON DW)
ELECTRIC STATS:	GAS MODEL: SINGLE PHASE 220V 50/60HZ 1200W REQUIRES STANDARD 15A BREAKER
ELECTRICAL PLUG TYPE	GAS MODELS: 20A 250V 3 WIRE NEMA 6-20P
FUEL CHOICES ON GAS MODELS	LPG GAS STANDARD WITH MODELS. NATURAL GAS CONVERSION KITS OFFERED FOR CUSTOMER INSTALLATION ONLY.
BURNER INFORMATION ON GAS MODELS	SW & DW BURNERS: 32
BTU REQUIRMENTS	125,000 BTU MINIMUM REQUIRED FOR NG LINE
GAS PRESSURE	LPG: 12-16WC (3-4KPA) MARSHALL 1912/197 REGULATOR RECOMMENDED NG: 7-14WC

EXHAUST SETUP	
EXHAUST PIPE REQUIREMENTS	POSITIVE PRESSURE EXHAUST VENTING WITH MINIMUM CLEARANCE 18-24" FROM COMBUSTABLE MATERIALS
MAXIMUM VENTING LENGTHS	20-25' FROM CHAFF UNIT. DEDUCT 3-5' FOR 45-90 DEGREE PIPE ELBOWS. IF YOU MUST VENT AT LONGER LENGTHS CONSULT A LOCAL TECHNICIAN ON USE OF POSSIBLE BOOSTER FANS
MAXIMUM EXHAUST TEMPERATURES	425-475F
CHAFF UNIT HIGH TEMP.	300-350F
COOLING TRAY HIGH TEMP.	200F
DATA LOGGING VIA ARTISAN OR CROPSTER	BUILT IN DATA LOGGER ATTACHES TO COMPUTER (PC OR MAC) VIA USB OR BLUETOOTH
K TYPE THERMOCOUPLES	BT & ET WITH TWO ADDITIONAL PREDRILLED CAPPED THREADED HOLES TO ADD OR ADJUST LOCATION OF PROBES
MANUFACTURED IN CHINA FOR BC ROASTERS	CUSTOM BUILT FOR BC SPECS IN USA AND OVER 200 LANDS

FOR MORE INFORMATION SEE:

BCROASTERS.COM

HTTP://WWW.BUCKEYECOFFEE.COM/BC-COFFEE-ROASTERS.HTML

**BC ROASTERS
BUCKEYE, ARIZONA 85326
TONOPAH, ARIZONA 85354**