

2021 BC-3.5 SW & DW

BY BCROASTERS.COM

THE BC-3.5 SW & DW IS ABLE TO ROAST UP TO 3.5LB. PER ROAST. IT IS A GREAT ROASTER FOR A COFFEE SHOP OR A HOME STARTUP BUSINESS. THESE NOW COME IN YOUR CHOICE OF SINGLE OR DOUBLE WALL DRUM ROASTERS. THE DW MODEL CAN ROAST FROM 8OZ. TO 3.5LB. (SW-16OZ TO 3.5LB.) PER ROAST AND UP TO 5 ROASTS PER HOUR ON OUR GAS MODELS. IT WAS BUILT WITH THE SAME COMPONENTS OF THE BIG COMMERCIAL ROASTERS. IT HAS ALL THE FEATURES MOST COMPANIES CHARGE EXTRA FOR BUILT RIGHT INTO THE BASE PRICE. SOLID HEAVY-DUTY STAINLESS STEEL DRUMS IN SINGLE OR DOUBLE WALL AND BUILT IN PROFILING SYSTEM FOR BT & ET. DIRECT-CONNECT CHAFF UNIT FOR EFFICIENCY & REDUCED FOOTPRINT. COMES IN CHOICE OF GAS OR ALL ELECTRIC.



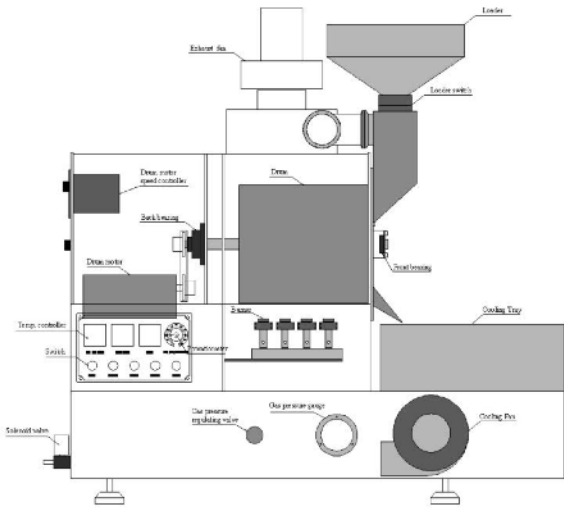
SPEC SHEET

BC-2MD	GAS TYPE	ELEC. TYPE
Batch Size	8oz-3lb.	8oz-3lb.
Roasting Time	9-14 minutes	15min.
Production	12-15b.hr	9-12
Heat Source	NG/LPG	electric
Voltage	220V	220V
Wattage	225W	4225W
Drum Motor	60W	60W
Chaff Fan Motor	45W	45W
Cooling Fan Motor	60W	60W
MIXING ARM	15W	15W
BTU	30-35,000	
NG PRESSURE	7WC	
LPG PRESSURE	MAX.16WC	
Gas Consumption	0.3KG/hr .	
Roaster Dim.	38x25x37 Inches	
Roaster Weight	140KG 307lb.	
Package Dimensions	48x33x43 (LxWxH)	
Package weight	160Kg 352lb.	

FEATURES

DRUM TYPE
DATA LOGGING
THERMOCOUPLES
CONTROL PANEL
WARRANTY
PARTS AVAILABLE
110V CONVERTER

Single Wall 4mm or Double 8mm
2 OMRON CONTROLS
K-TYPE for BT
BT&ET VEIW ON PANEL
1 YEAR PARTS & INSTRUCTION
10 Year Parts Available Guarantee
110V Voltage Converter included.



THE BC-3.5 IS A HEAVY DUTY ROASTER BUILT WITH A CARBON STEEL BODY WITH APPROVED POWDER COAT HIGH TEMPERATURE BODY IN BLACK, WHITE OR RED . THE HOUSINGS COME IN SOLID COLOR CHOICES & TEXTURED COLORS. TWO EXHAUST PIPES COMES OFF THE BC-3 AT 3" AS SHOWN BELOW AND CAN BE EXHAUSTED OUT OF BUILDING SEPARATELY OR CONNECTED WITH A BLAST OR BACKDRAFT DAMPER

NOW IN BODY COLOR CHOICES OF BLACK, WHITE or RED!



BC ROASTER COLORS

BC ROASTERS NOW COME IN 3 BODY COLORS:
BLACK, RED & WHITE



BLACK BODY WITH BLACK
CHECKERED HOUSING



RED BODY WITH GOLD
CHECKERED HOUSING



WHITE BODY WITH
ROSE GOLD HOUSING

**TWO NEW TEXTURED
HOUSINGS FOR 2021:**

GOLD MOSAIC

HOUSING COLORS INCLUDE 3 SOLID COLORS:
ROSE GOLD, BLACK TITANIUM, STAINLESS
(COLORS MAY VARY FROM PICTURES SLIGHTLY)



ROSE GOLD



STAINLESS

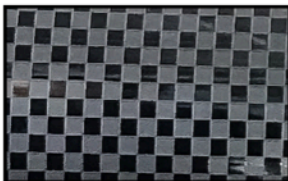


BLACK TITANIUM

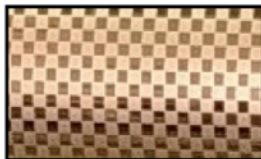


SILVER RAINDROP

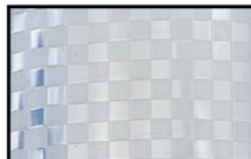
ALSO HOUSING COLORS IN TEXTURED CHECKERED COLORS:
CHECKERED BLACK, SILVER OR GOLD:



CHECKERED BLACK



CHECKERED GOLD



CHECKERED SILVER

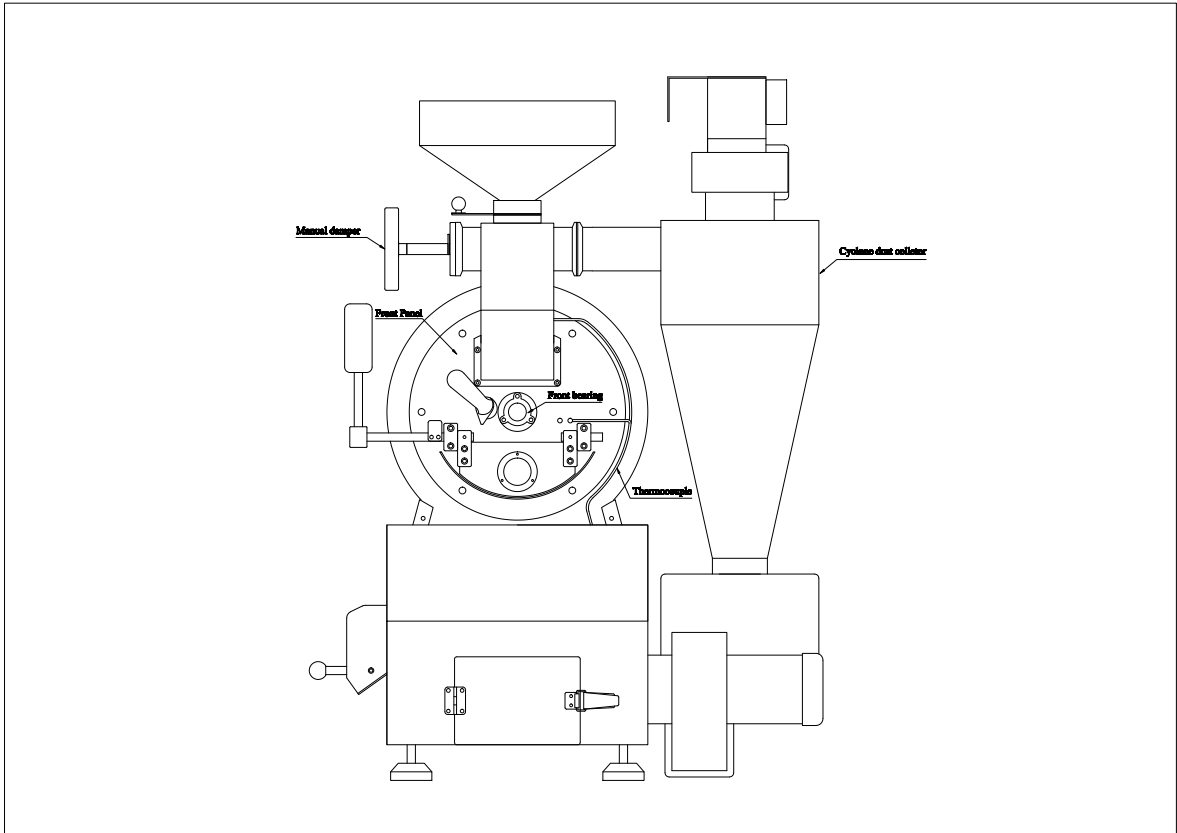


BODY COLORS:

BLACK, RED OR WHITE

SOLID HOUSING COLORS: ROSE GOLD, BLACK
TITANIUM, STAINLESS

TEXTURE HOUSINGS: CHECKERED GOLD,
CHECKERED BLACK OR CHECKERED SILVER



NEW 2021 FEATURES & OPTIONS:

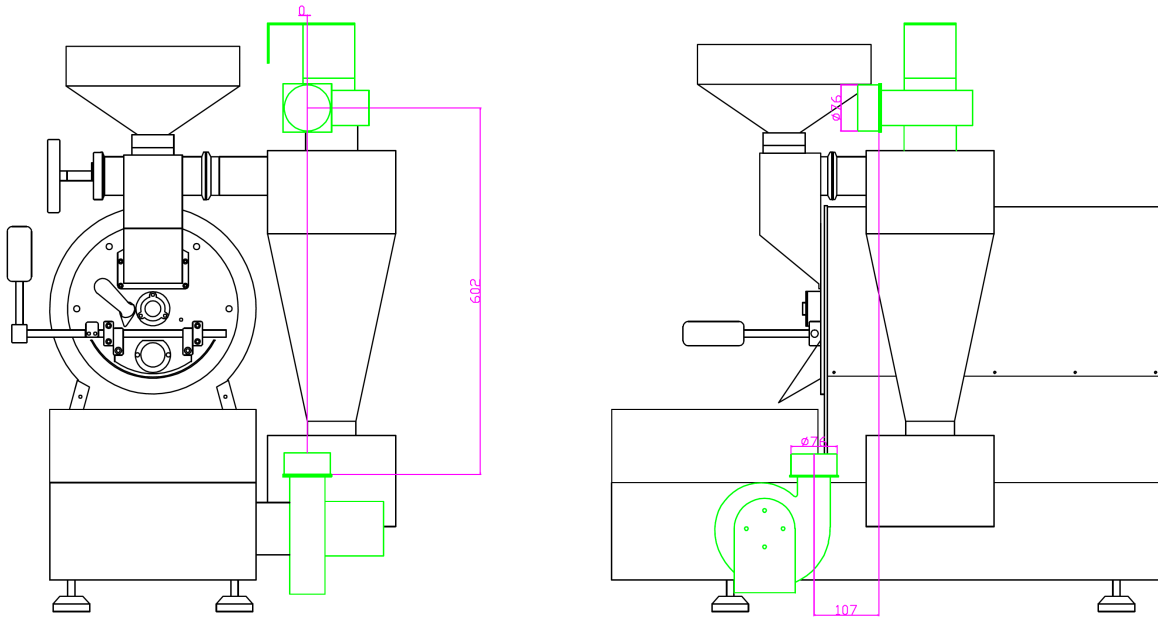
- + COOLING TRAY FAN IS VERTICAL FOR EASY VENTING
- + **NEW 3MM THICK THERMOCOUPLES**
- + OPTIONAL COOLING TRAY COVER NEW FOR 2021!



OPTIONAL COOLING TRAY COVERS

THE 2021 BC-3.5'S HAVE VERTICAL COOLING FANS TO REDUCE THE EXHAUST PIPING NEEDED DURING SETUP:

2021 BC-3.5 DRAWING



BC-3.5 COMMERCIAL COFFEE ROASTER	
	<p>*TABLETOP OR STAND MODEL (18-24" STAND SUGGESTED)</p> <p>*DIRECT CONNECT CHAFF UNIT FOR SMALLER FOOTPRINT</p> <p>*CHOICE OF ALL ELECTRIC OR GAS MODELS</p>
SIZE SETUP (LxWxH)	38x25x37" (LxWxH) INCLUDES DIRECT CONNECT CHAFF UNIT IN MEASUREMENT
WEIGHT	307LB
MINIMUM CLEARANCE FROM COMBUSTABLE MATERIALS	18-24"
ROASTING CAPACITY	1-3.5LB SINGLE WALL 8OZ TO 3.5LB DOUBLE WALL
ROAST TIME & ROASTS PER HOUR	9-14 MINUTES (5 ROASTS PER HOUR GAS. 3.5 PER HOUR ELECTRIC)
DRUM INFORMATION	<p>SW DRUM: 4MM SUPERIOR 304SS CONTAINS 18% CHROMIUM AND 8% NICKEL</p> <p>DW DRUM: HAS TWO LAYERS OF 2MM 304SS WITH 4MM OF AIR CUSHION. SS WELDING</p>
ELECTRIC STATS:	<p>GAS MODEL: SINGLE PHASE 220V 50/60HZ 225W REQUIRES STANDARD 15A BREAKER</p> <p>ALL ELECTRIC MODELS: SINGLE PHASE 220V 50/60HZ 5225W REQUIRES 30A DEDICATED BREAKER</p>
ELECTRICAL PLUG TYPE	<p>GAS MODELS: 20A 250V 3 WIRE NEMA 6-20P</p> <p>ELECTRIC TYPE: LOCKING PLUG 250V 30A NEMA L6-30P</p>
FUEL CHOICES ON GAS MODELS	LPG GAS STANDARD WITH MODELS. NATURAL GAS CONVERSION KITS OFFERED FOR CUSTOMER INSTALLATION ONLY.
BURNER INFORMATION ON GAS MODELS	<p>SW BURNERS: 6 STANDARD HD BURNERS</p> <p>DW BURNERS: 8 STANDARD HD BURNERS</p>
BTU REQUIRMENTS	30,000 BTU MINIMUM REQUIRED FOR NG LINE
GAS PRESSURE	<p>LPG: 12-16WC (3-4KPA) MARSHALL 1912/197 REGULATOR RECOMMENDED</p> <p>NG: 7-14WC</p>

EXHAUST SETUP	
EXHAUST PIPE REQUIREMENTS	POSITIVE PRESSURE EXHAUST VENTING WITH MINIMUM CLEARANCE 18-24" FROM COMBUSTABLE MATERIALS
MAXIMUM VENTING LENGTHS	20-25' FROM CHAFF UNIT. DEDUCT 3-5' FOR 45-90 DEGREE PIPE ELBOWS. IF YOU MUST VENT AT LONGER LENGTHS CONSULT A LOCAL TECHNICIAN ON USE OF POSSIBLE BOOSTER FANS
MAXIMUM EXHAUST TEMPERATURES	425-475F
CHAFF UNIT HIGH TEMP.	300-350F
COOLING TRAY HIGH TEMP.	200F
DATA LOGGING VIA ARTISAN OR CROPSTER	BUILT IN DATA LOGGER ATTACHES TO COMPUTER (PC OR MAC) VIA USB OR BLUETOOTH
K TYPE THERMOCOUPLES	BT & ET WITH TWO ADDITIONAL PREDRILLED CAPPED THREADED HOLES TO ADD OR ADJUST LOCATION OF PROBES
MANUFACTURED IN CHINA FOR BC ROASTERS	CUSTOM BUILT FOR BC SPECS IN USA AND OVER 200 LANDS

FOR MORE INFORMATION SEE:

BCROASTERS.COM

HTTP://WWW.BUCKEYECOFFEE.COM/BC-COFFEE-ROASTERS.HTML

**BC ROASTERS
 BUCKEYE, ARIZONA 85326
 TONOPAH, ARIZONA 85354**

**TOLL FREE: 844.522.6333
 INFO@BUCKEYECOFFEE.COM**