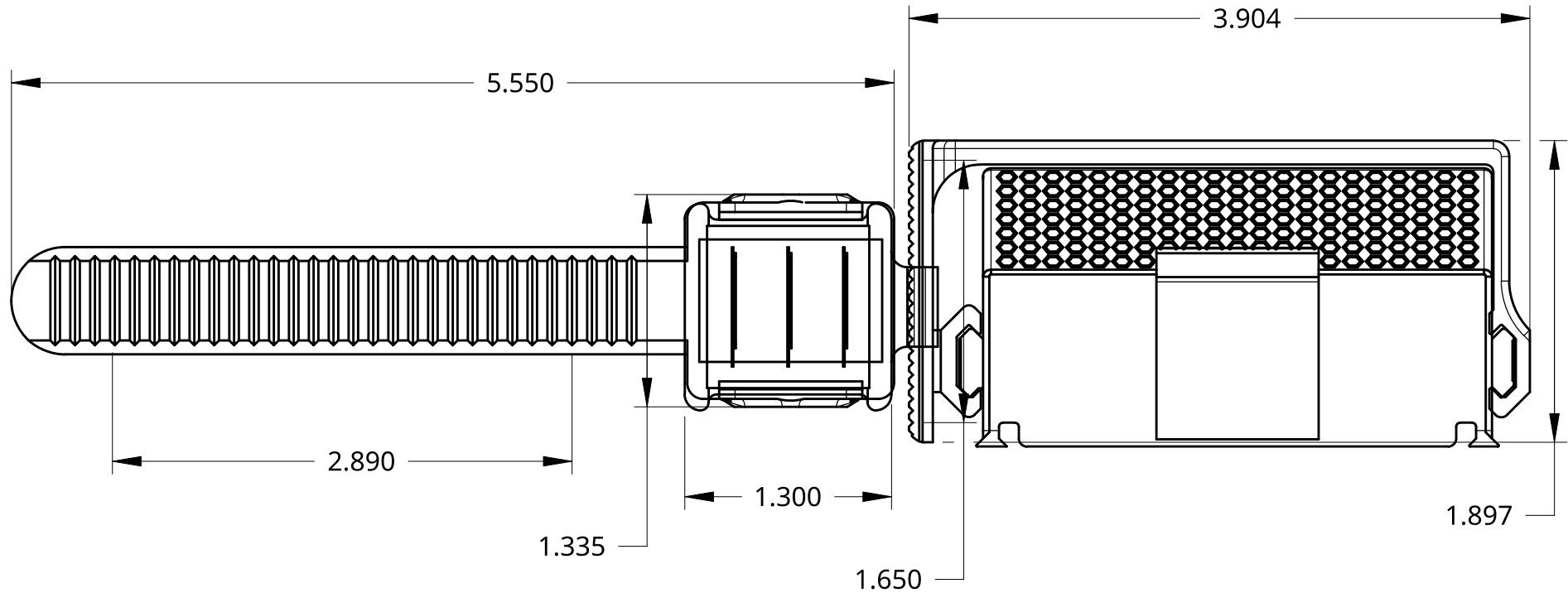


2

1



UNLESS OTHERWISE SPECIFIED,  
DIMENSIONS ARE IN INCHES

.XX = ±.0-  
.XXX = ±.00-  
.XXXX = ±.000-

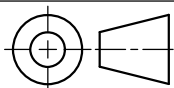
ANGULAR = ± °  
FRACTIONAL = ±

SURFACE FINISH

**DO NOT SCALE DRAWING**

BREAK ALL SHARP EDGES AND  
REMOVE BURRS

THIRD ANGLE PROJECTION



	NAME	DATE
DRAWN	WILLIAM KNIGHT	04/19/2026
CHECKED		
APPROVED		

MATERIAL	FINISH

TITLE

SIZE **A** DWG NO. REV.

SCALE **1:1** WEIGHT SHEET **1 of 1**

2

1

B

B

A

A